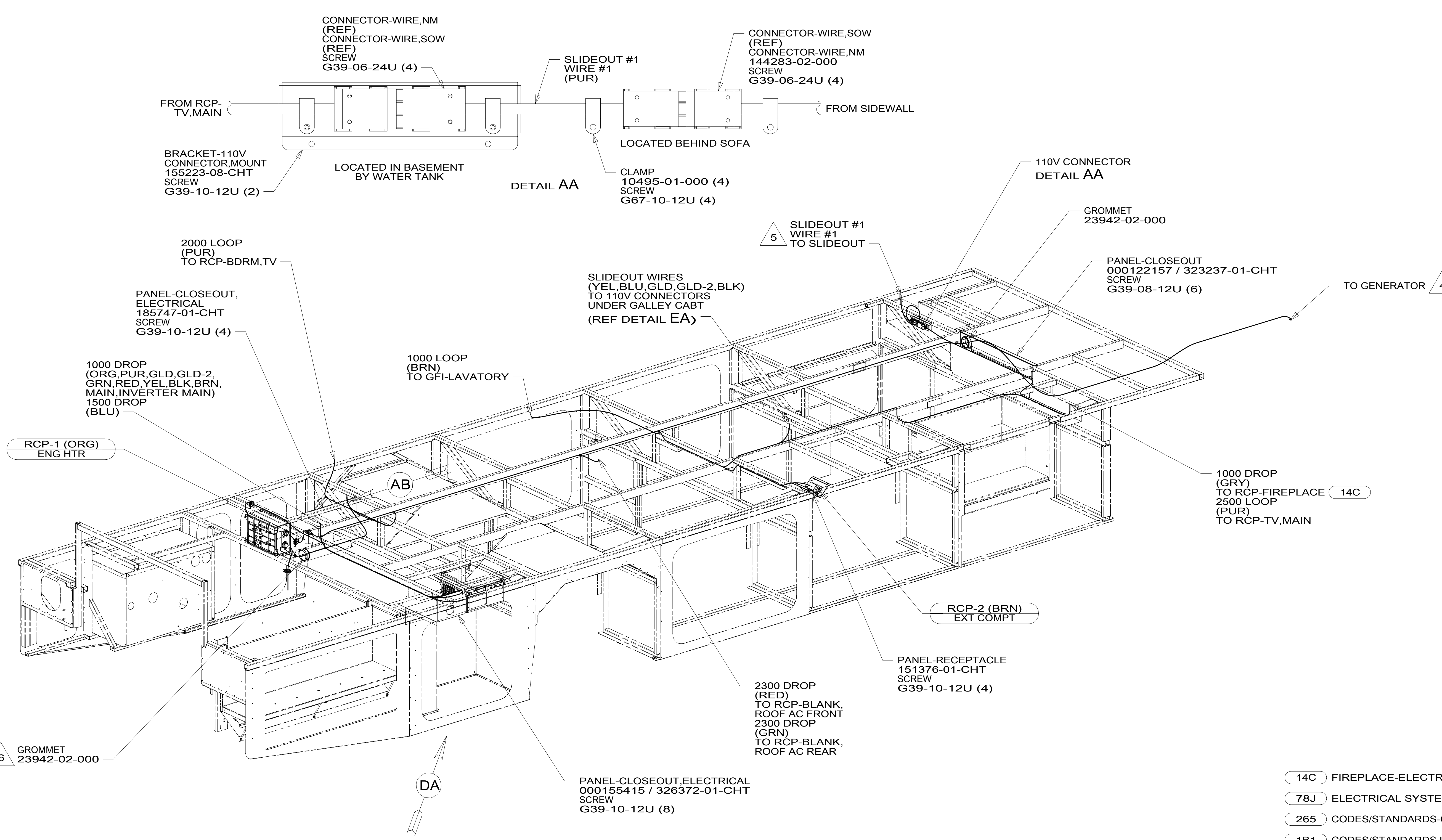
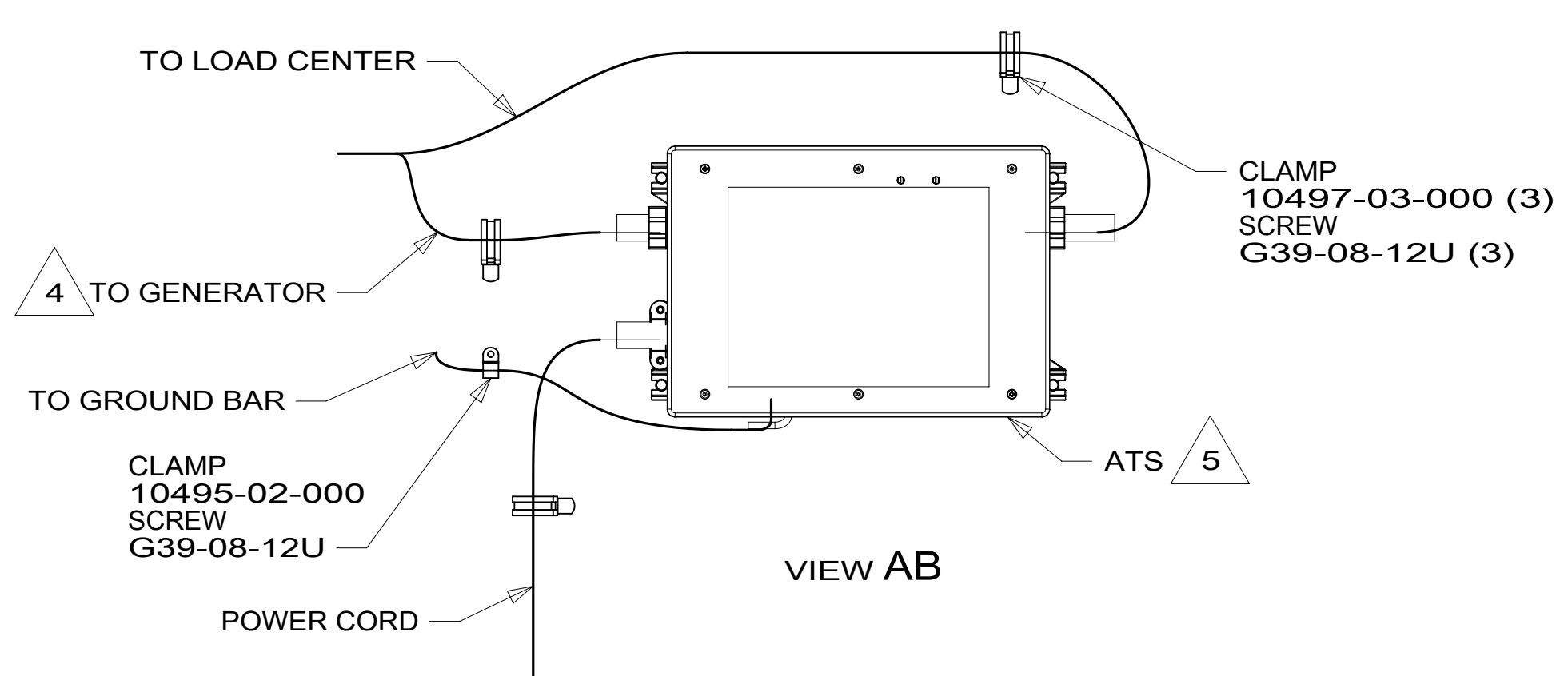


8 7 6 5 4 3 2 1



- 6 ROUTE ENGINE HEATER POWER CORD THROUGH GROMMET.
- 5 SEE LOAD CENTER/ATS ASM FOR ADDITIONAL INFORMATION.
- 4 SEE GENERATOR INSTL FOR ADDITIONAL INFORMATION.
3. WIRES THAT REST ON WIRE TRAYS ARE TO BE TIED DOWN WITH WIRE TIE 8343-04-000.
2. CLAMP TO FLOOR SUPPORT TUBES AS NECESSARY WITH CLAMP 10497-01-000.
1. AT MINIMUM ALL WIRES TO BE SUPPORTED AND SECURED PER CODE REQUIREMENTS. USE CLAMP 10495 OR 10497 OR WIRE TIE 8343 OR 108046 AND SCREW G67-XX-XXX OR G56-XX-XXX AS APPROPRIATE FOR INSTALLATION.



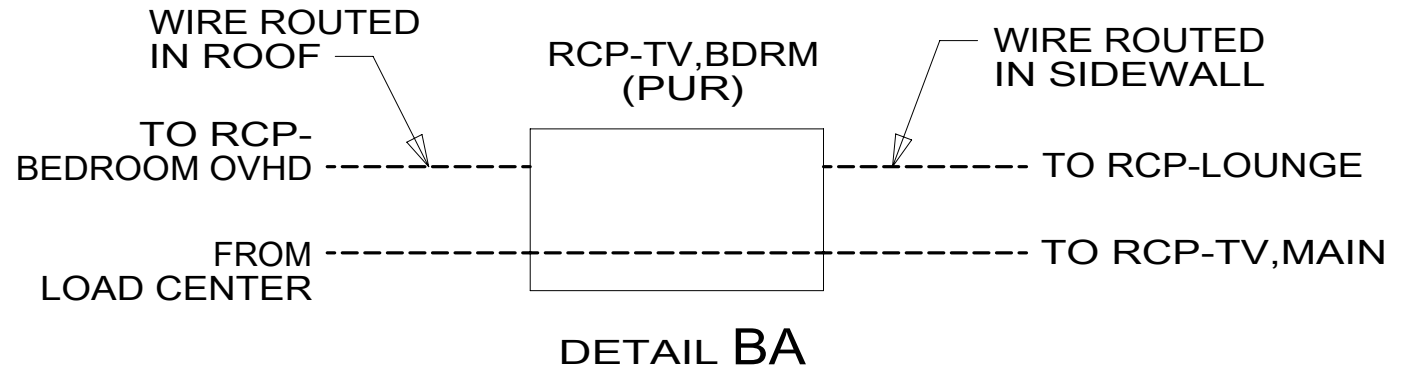
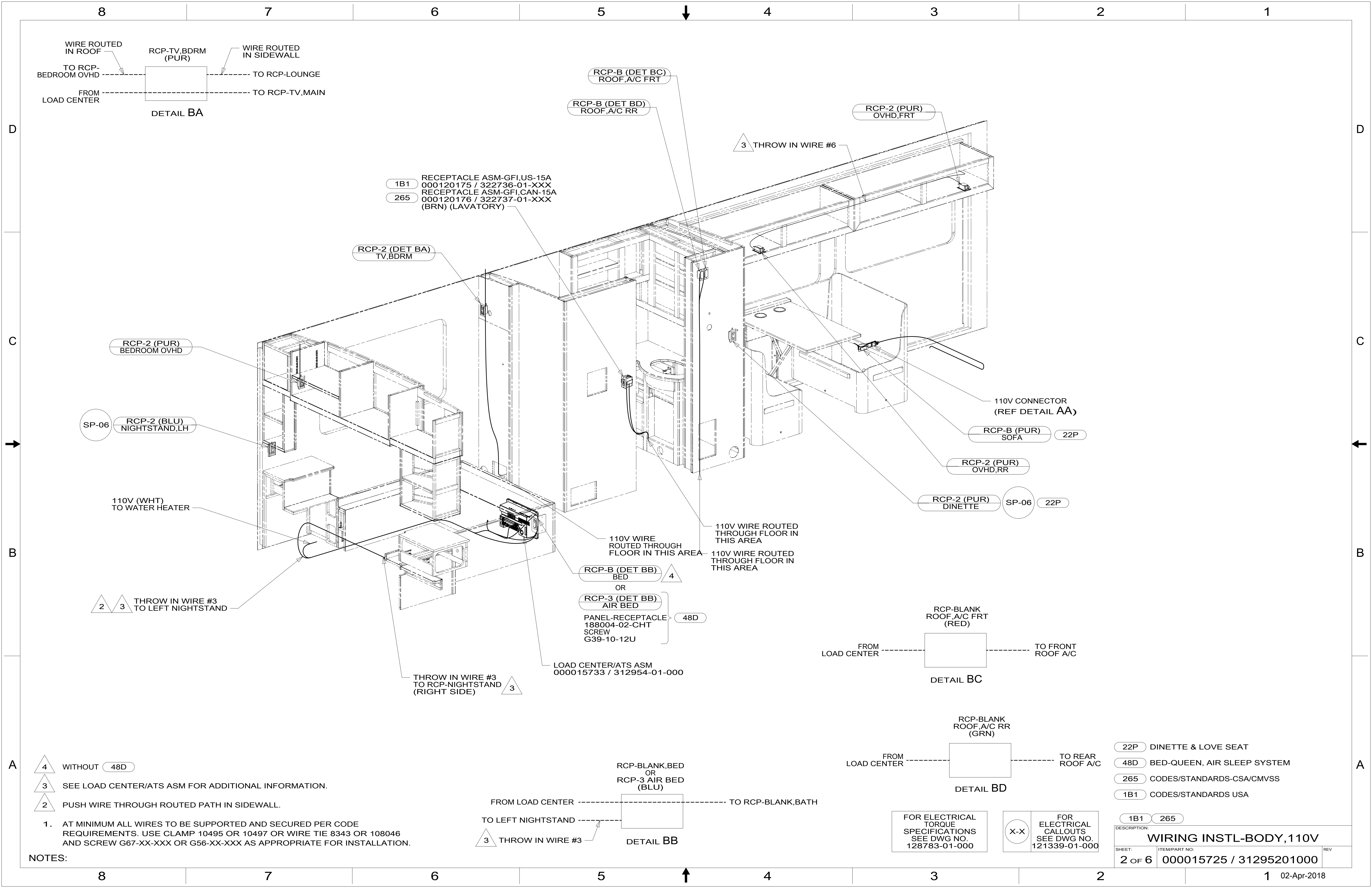
FOR ELECTRICAL TORQUE SPECIFICATIONS SEE DWG NO. 128783-01-000

FOR ELECTRICAL CALLOUTS SEE DWG NO. 121339-01-000

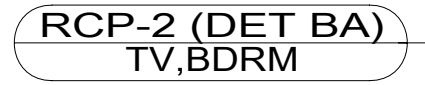
- 14C FIREPLACE-ELECTRIC
- 78J ELECTRICAL SYSTEM-50 AMP
- 265 CODES/STANDARDS-CSA/CMVSS
- 1B1 CODES/STANDARDS USA

WINNEBAGO	
COPYRIGHT 2016 WINNEBAGO INDUSTRIES, INC.	
DSNR:	ALL DIMENSIONS ARE IN MILLIMETERS
DIFTR:	
UNSPECIFIED TOLERANCES:	MATERIAL:
WHOLE DIM (X) : 3	
ONE-PLACE (X.X) : 1.5	
TWO-PLACE (X.XX) : 0.50	
ANGLE : 1°	
REFER TO ES0018 FOR FASTENER TIGHTENING GUIDELINES	WEIGHT: (LBS) FIRST USED: 17 L34T
DESCRIPTION:	
WIRING INSTL-BODY, 110V	
SHEET: 1 OF 6	ITEM/PART NO: 000015725 / 31295201000
REF:	

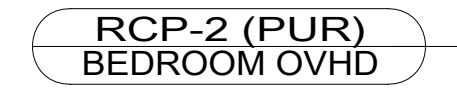
8 7 6 5 4 3 2 1



- 1B1 RECEPTACLE ASM-GFI,US-15A 000120175 / 322736-01-XXX
- 265 RECEPTACLE ASM-GFI,CAN-15A 000120176 / 322737-01-XXX (BRN) (LAVATORY)

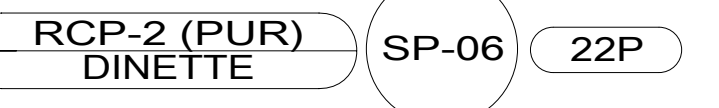
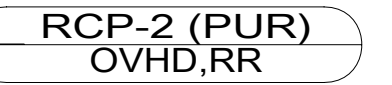


3 THROW IN WIRE #6



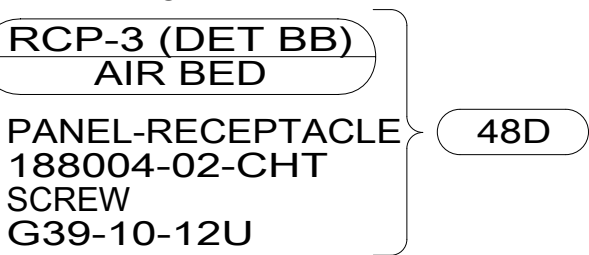
110V (WHT) TO WATER HEATER

110V CONNECTOR (REF DETAIL AA)



110V WIRE ROUTED THROUGH FLOOR IN THIS AREA

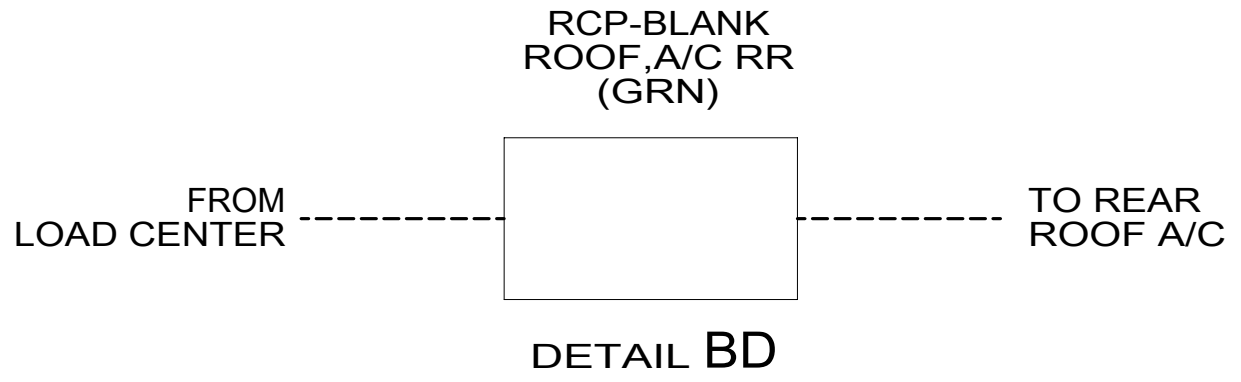
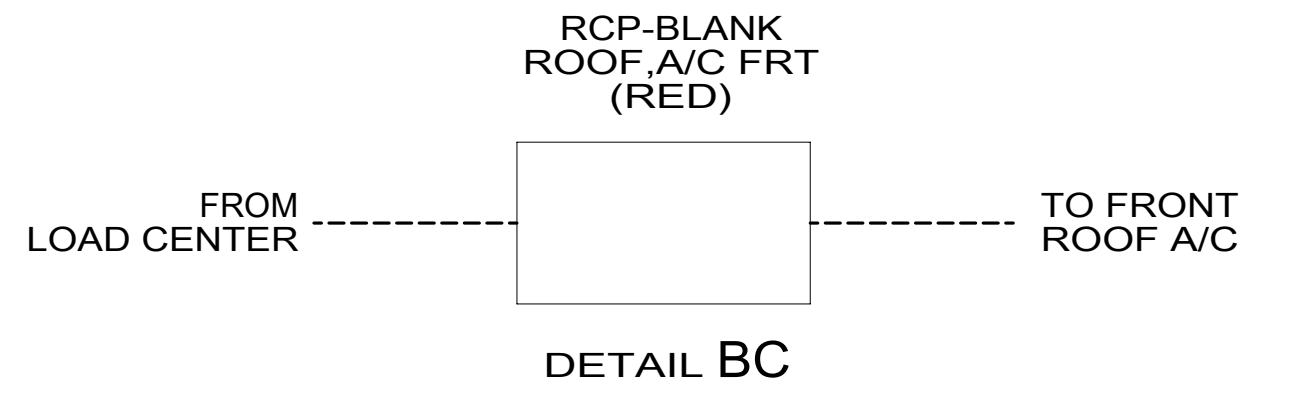
110V WIRE ROUTED THROUGH FLOOR IN THIS AREA



LOAD CENTER/ATS ASM 000015733 / 312954-01-000

2 3 THROW IN WIRE #3 TO LEFT NIGHTSTAND

THROW IN WIRE #3 TO RCP-NIGHTSTAND (RIGHT SIDE) 3



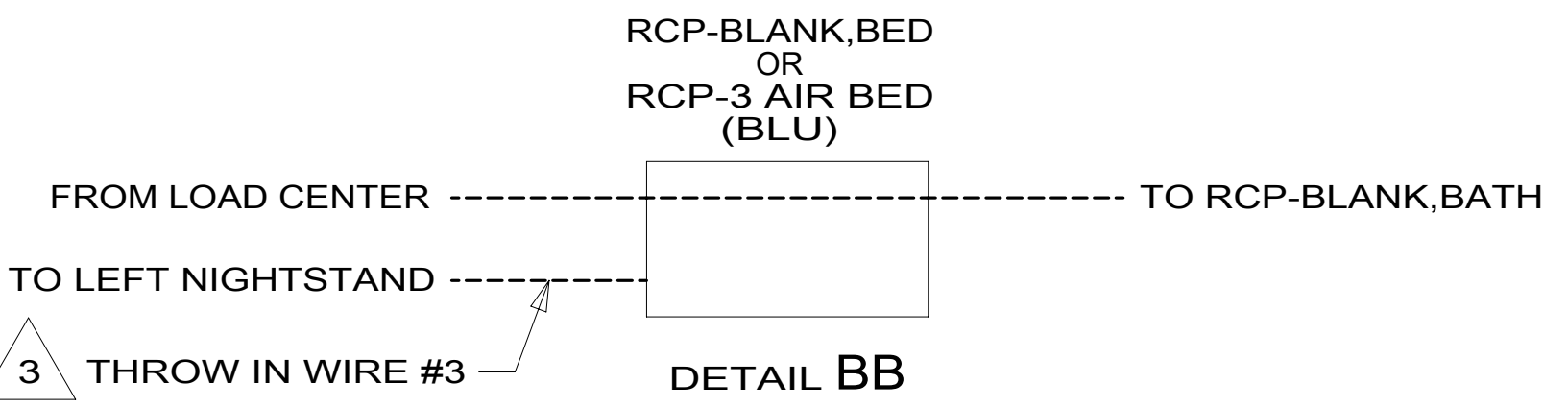
- 22P DINETTE & LOVE SEAT
- 48D BED-QUEEN, AIR SLEEP SYSTEM
- 265 CODES/STANDARDS-CSA/CMVSS
- 1B1 CODES/STANDARDS USA

4 WITHOUT 48D

3 SEE LOAD CENTER/ATS ASM FOR ADDITIONAL INFORMATION.

2 PUSH WIRE THROUGH ROUTED PATH IN SIDEWALL.

1. AT MINIMUM ALL WIRES TO BE SUPPORTED AND SECURED PER CODE REQUIREMENTS. USE CLAMP 10495 OR 10497 OR WIRE TIE 8343 OR 108046 AND SCREW G67-XX-XXX OR G56-XX-XXX AS APPROPRIATE FOR INSTALLATION.

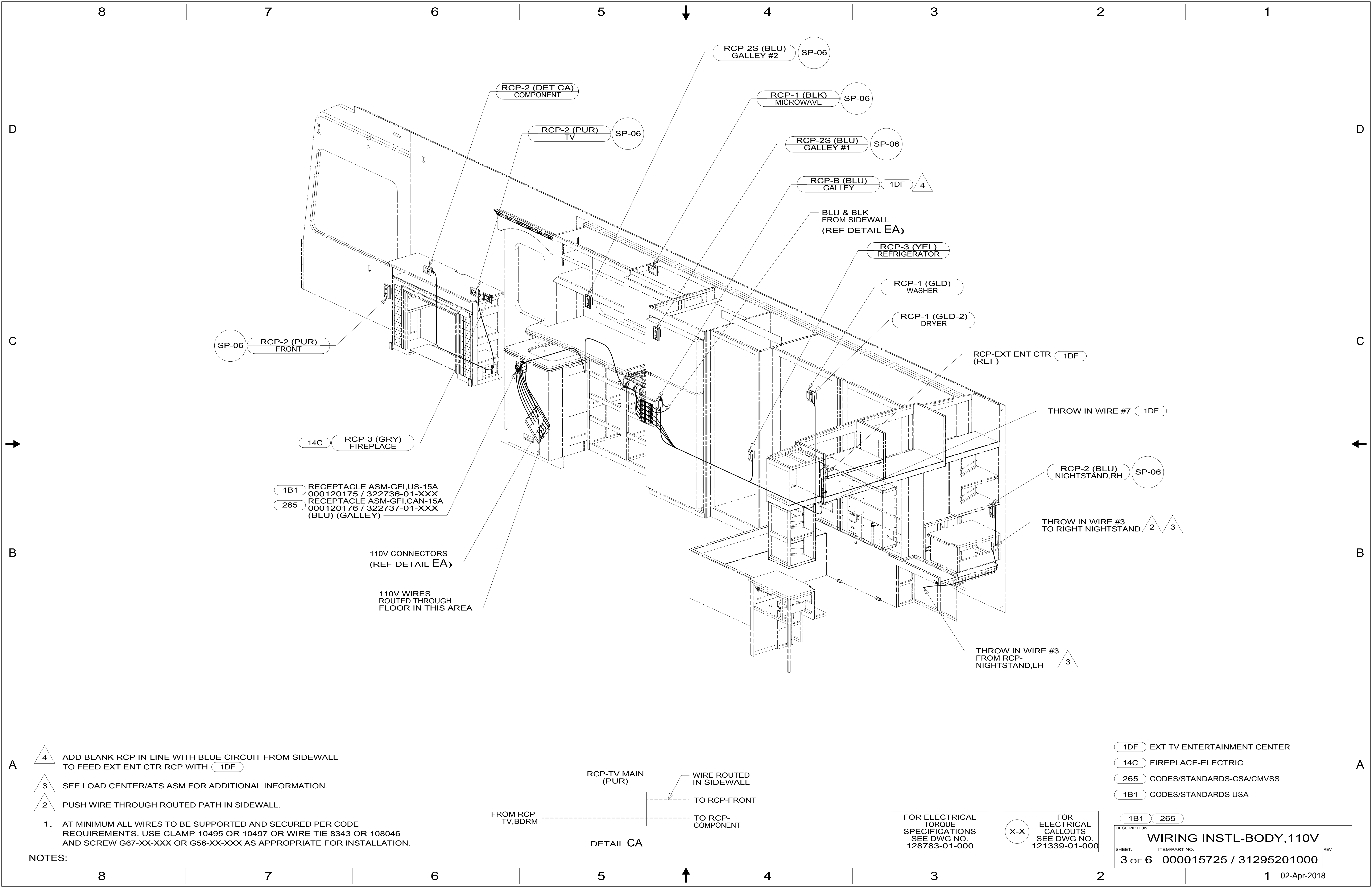


FOR ELECTRICAL TORQUE SPECIFICATIONS SEE DWG NO. 128783-01-000

FOR ELECTRICAL CALLOUTS SEE DWG NO. 121339-01-000

DESCRIPTION: WIRING INSTL-BODY, 110V		
SHEET: 2 OF 6	ITEM/PART NO.: 000015725 / 31295201000	REV

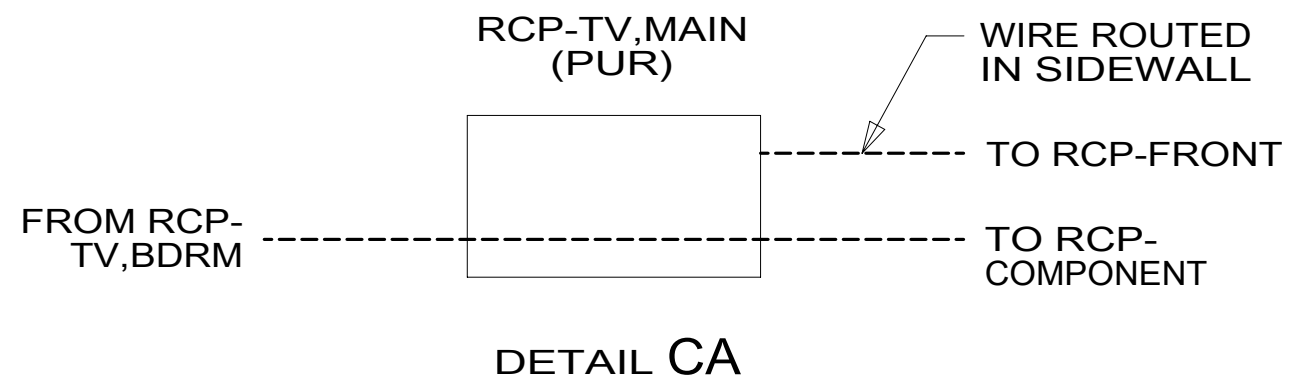
NOTES:



1B1 RECEPTACLE ASM-GFI,US-15A
000120175 / 322736-01-XXX
265 RECEPTACLE ASM-GFI,CAN-15A
000120176 / 322737-01-XXX
(BLU) (GALLEY)

110V CONNECTORS
(REF DETAIL EA)

110V WIRES
ROUTED THROUGH
FLOOR IN THIS AREA



- 4 ADD BLANK RCP IN-LINE WITH BLUE CIRCUIT FROM SIDEWALL TO FEED EXT ENT CTR RCP WITH 1DF
- 3 SEE LOAD CENTER/ATS ASM FOR ADDITIONAL INFORMATION.
- 2 PUSH WIRE THROUGH ROUTED PATH IN SIDEWALL.

1. AT MINIMUM ALL WIRES TO BE SUPPORTED AND SECURED PER CODE REQUIREMENTS. USE CLAMP 10495 OR 10497 OR WIRE TIE 8343 OR 108046 AND SCREW G67-XX-XXX OR G56-XX-XXX AS APPROPRIATE FOR INSTALLATION.

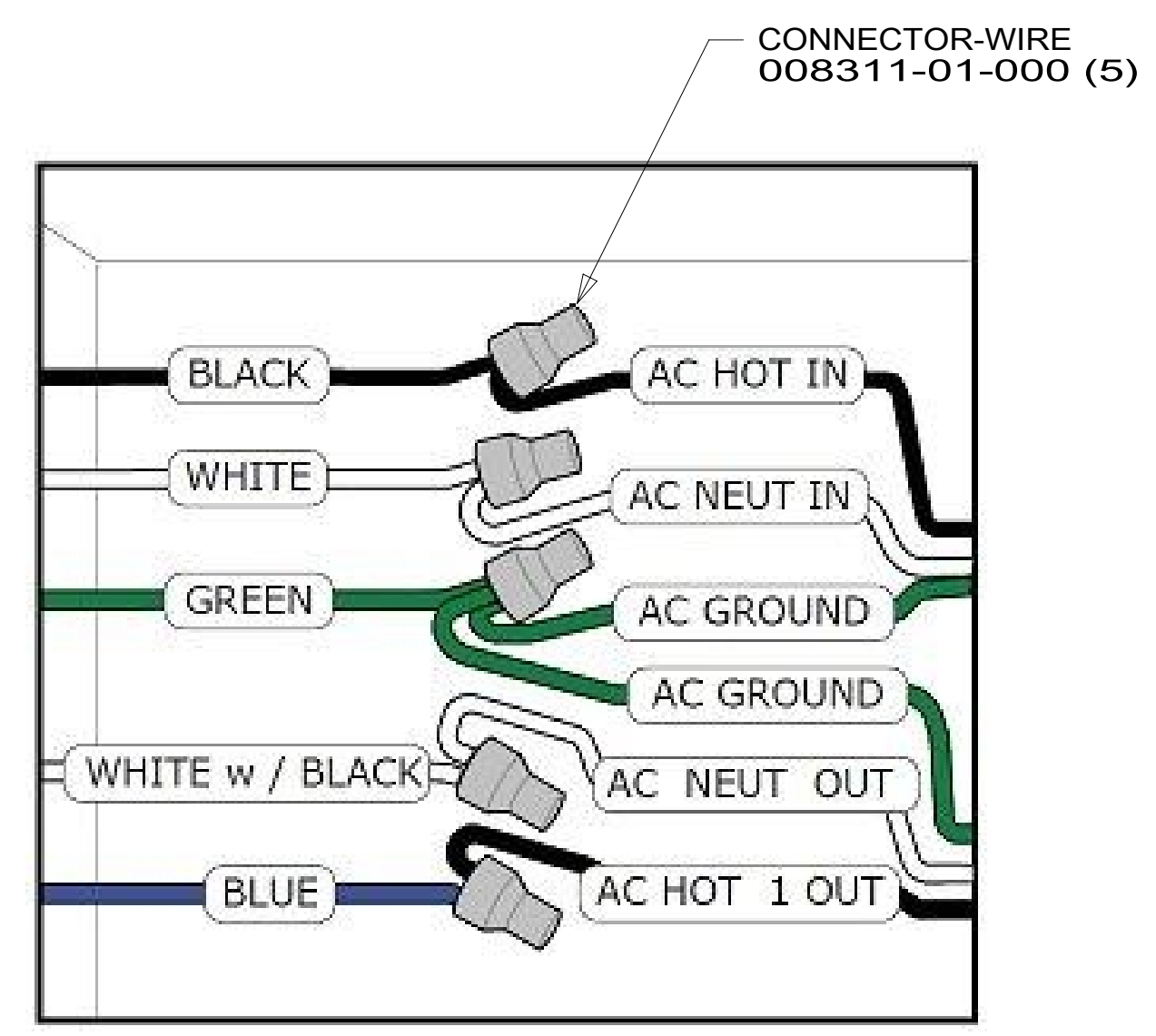
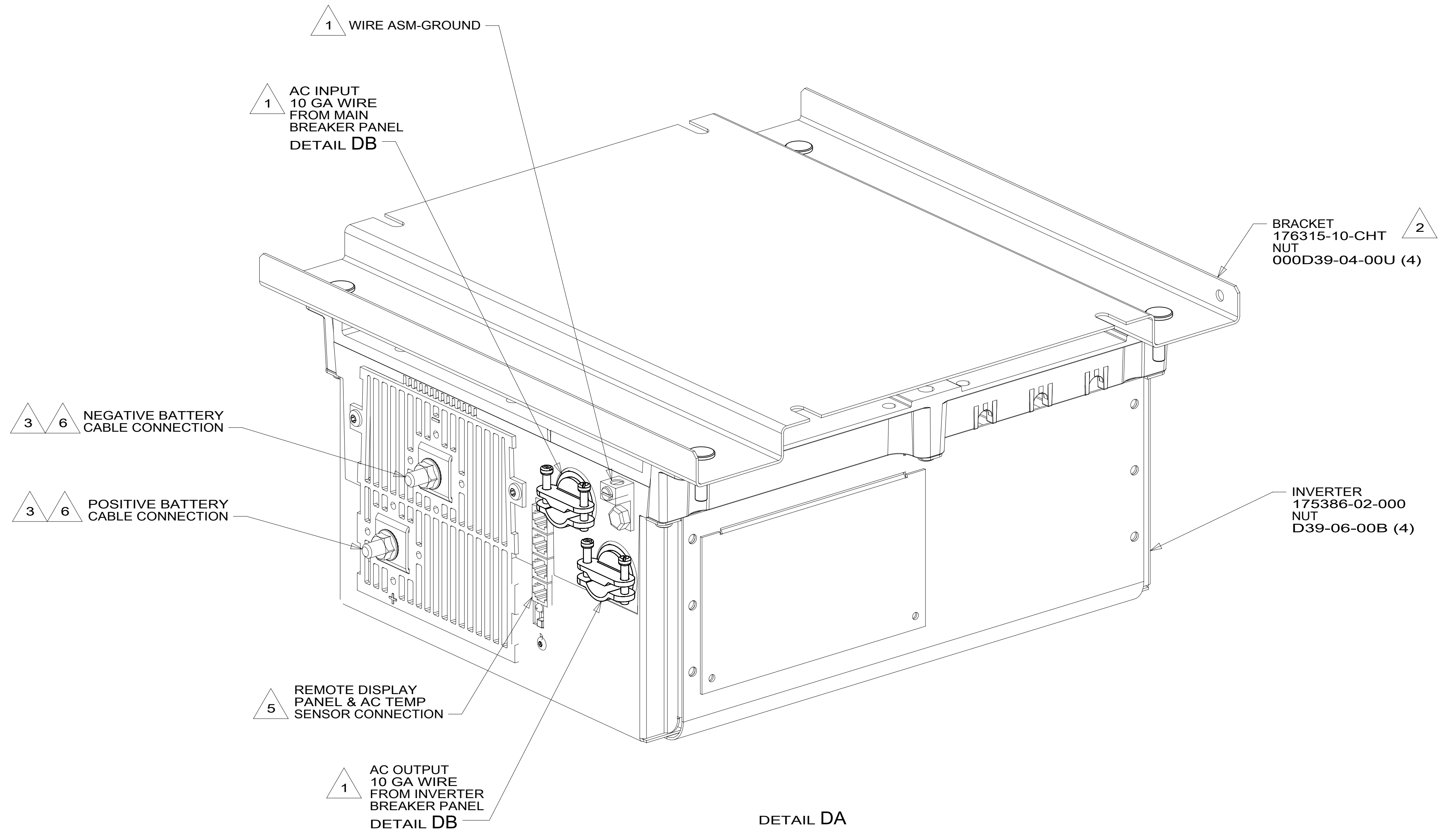
NOTES:

- 1DF EXT TV ENTERTAINMENT CENTER
- 14C FIREPLACE-ELECTRIC
- 265 CODES/STANDARDS-CSA/CMVSS
- 1B1 CODES/STANDARDS USA

FOR ELECTRICAL TORQUE SPECIFICATIONS SEE DWG NO. 128783-01-000

FOR ELECTRICAL CALLOUTS SEE DWG NO. 121339-01-000

DESCRIPTION: WIRING INSTL-BODY, 110V		
SHEET: 3 OF 6	ITEM/PART NO: 000015725 / 31295201000	REV



- NOTES:
- 6 DO NOT USE POWER/AIR TOOL TO INSTALL NUT. TORQUE TO 10-12 FT LBS.
 - 5 CABLES PART OF WIRE ASM-COACH.
 - 4 SEE INVERTER/CHARGER OWNER'S MANUAL FOR ADDITIONAL INFORMATION.
 - 3 SEE WIRING INSTL-CHASSIS FOR ADDITIONAL INFORMATION.
 - 2 BRACKET IS LOCATED BY HOLES ON BRACKET.
 - 1 SEE LOAD CENTER/ATS ASM FOR ADDITIONAL INFORMATION.

FOR ELECTRICAL
TORQUE
SPECIFICATIONS
SEE DWG NO.
128783-01-000

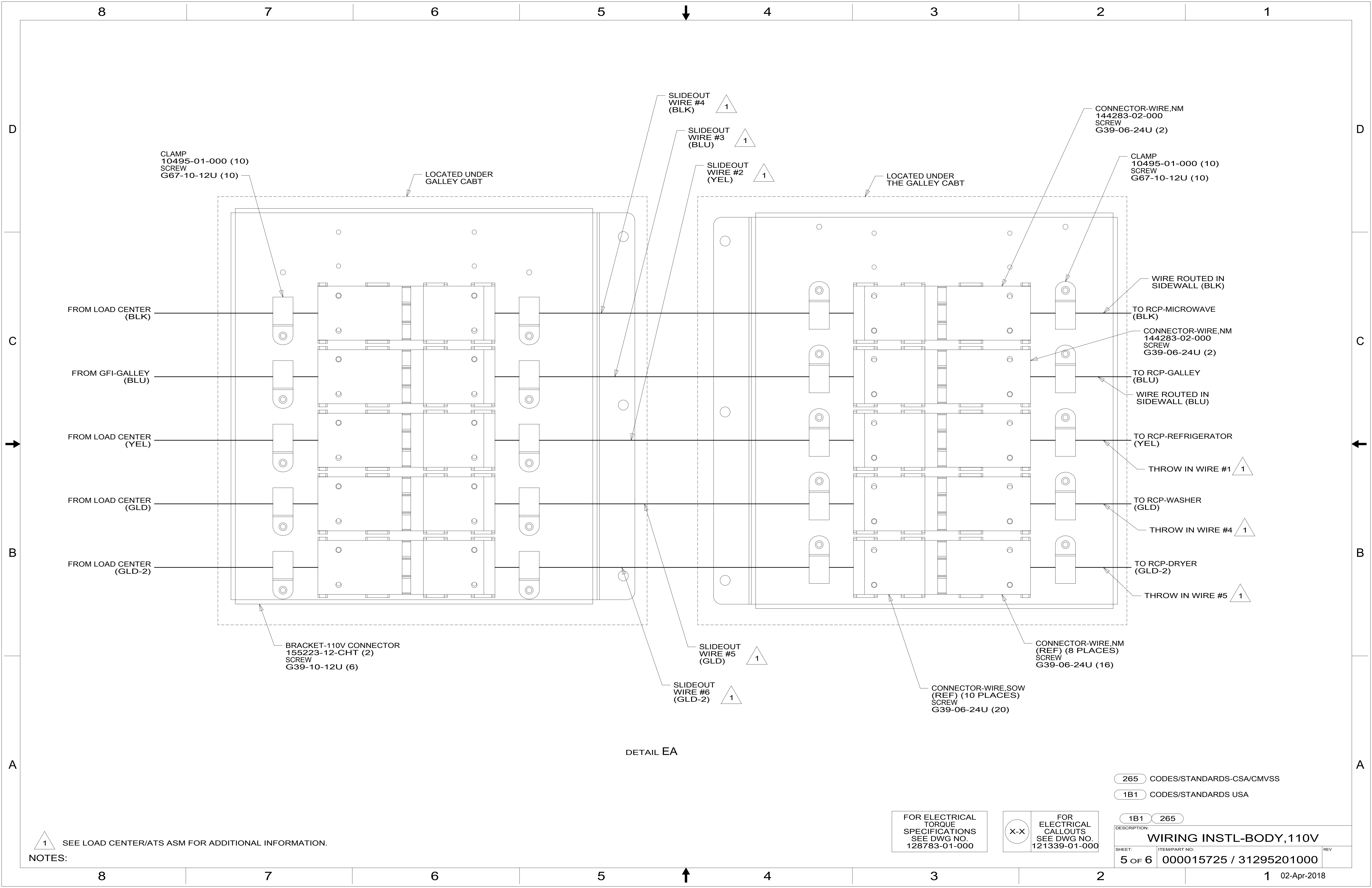
X-X

FOR
ELECTRICAL
CALLOUTS
SEE DWG NO.
121339-01-000

265 CODES/STANDARDS-CSA/CMVSS

1B1 CODES/STANDARDS USA

DESCRIPTION:		1B1	265
WIRING INSTL-BODY, 110V			
SHEET:	ITEM/PART NO.:	REV	
4 OF 6	000015725 / 31295201000		



CLAMP
10495-01-000 (10)
SCREW
G67-10-12U (10)

LOCATED UNDER
GALLEY CABT

SLIDEOUT
WIRE #4
(BLK) 1

SLIDEOUT
WIRE #3
(BLU) 1

SLIDEOUT
WIRE #2
(YEL) 1

LOCATED UNDER
THE GALLEY CABT

CONNECTOR-WIRE,NM
144283-02-000
SCREW
G39-06-24U (2)

CLAMP
10495-01-000 (10)
SCREW
G67-10-12U (10)

FROM LOAD CENTER
(BLK)

FROM GFI-GALLEY
(BLU)

FROM LOAD CENTER
(YEL)

FROM LOAD CENTER
(GLD)

FROM LOAD CENTER
(GLD-2)

WIRE ROUTED IN
SIDEWALL (BLK)

TO RCP-MICROWAVE
(BLK)

CONNECTOR-WIRE,NM
144283-02-000
SCREW
G39-06-24U (2)

TO RCP-GALLEY
(BLU)

WIRE ROUTED IN
SIDEWALL (BLU)

TO RCP-REFRIGERATOR
(YEL)

THROW IN WIRE #1 1

TO RCP-WASHER
(GLD)

THROW IN WIRE #4 1

TO RCP-DRYER
(GLD-2)

THROW IN WIRE #5 1

BRACKET-110V CONNECTOR
155223-12-CHT (2)
SCREW
G39-10-12U (6)

SLIDEOUT
WIRE #5
(GLD) 1

SLIDEOUT
WIRE #6
(GLD-2) 1

CONNECTOR-WIRE,NM
(REF) (8 PLACES)
SCREW
G39-06-24U (16)

CONNECTOR-WIRE,SOW
(REF) (10 PLACES)
SCREW
G39-06-24U (20)

DETAIL EA

265 CODES/STANDARDS-CSA/CMVSS

1B1 CODES/STANDARDS USA

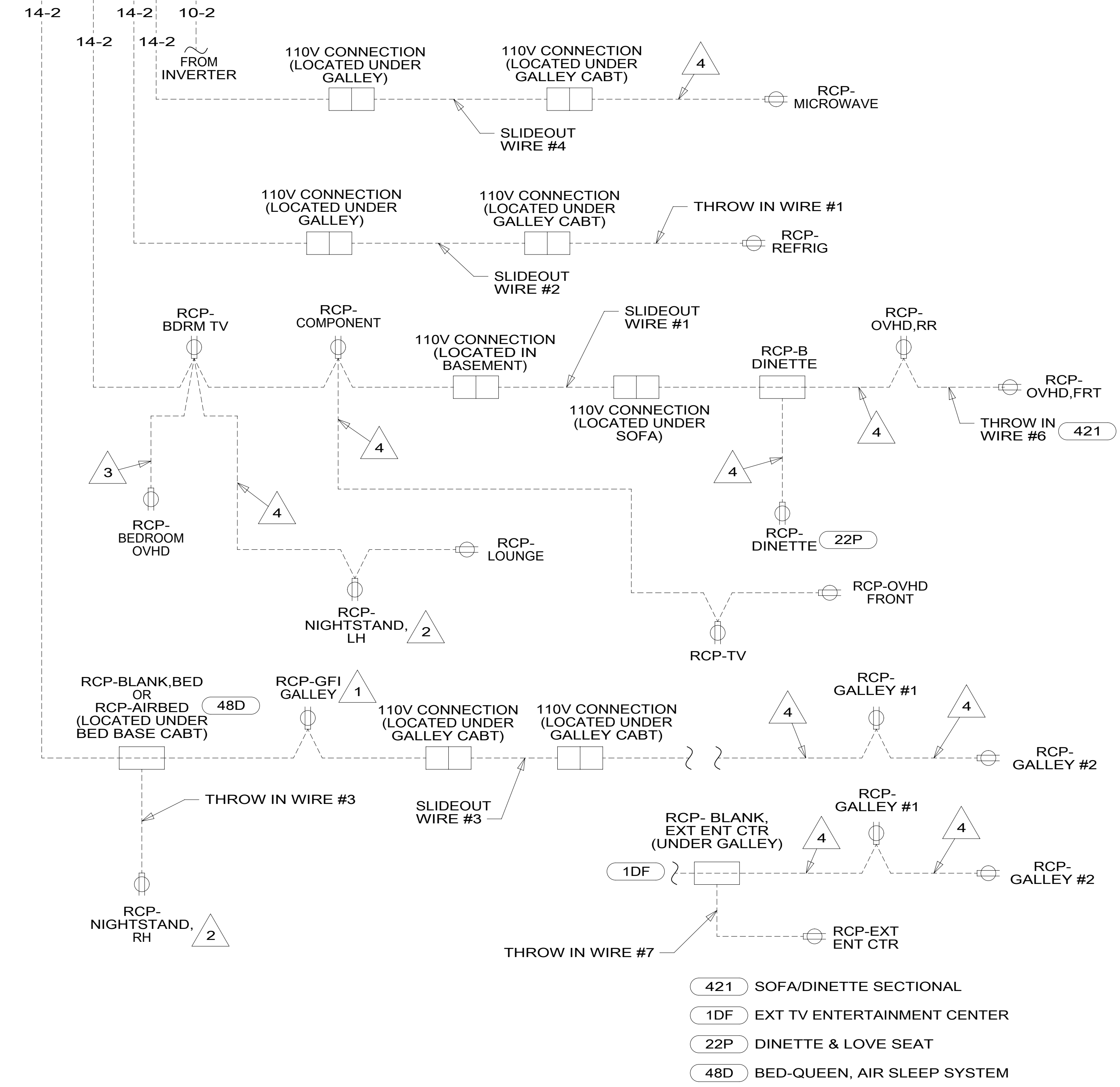
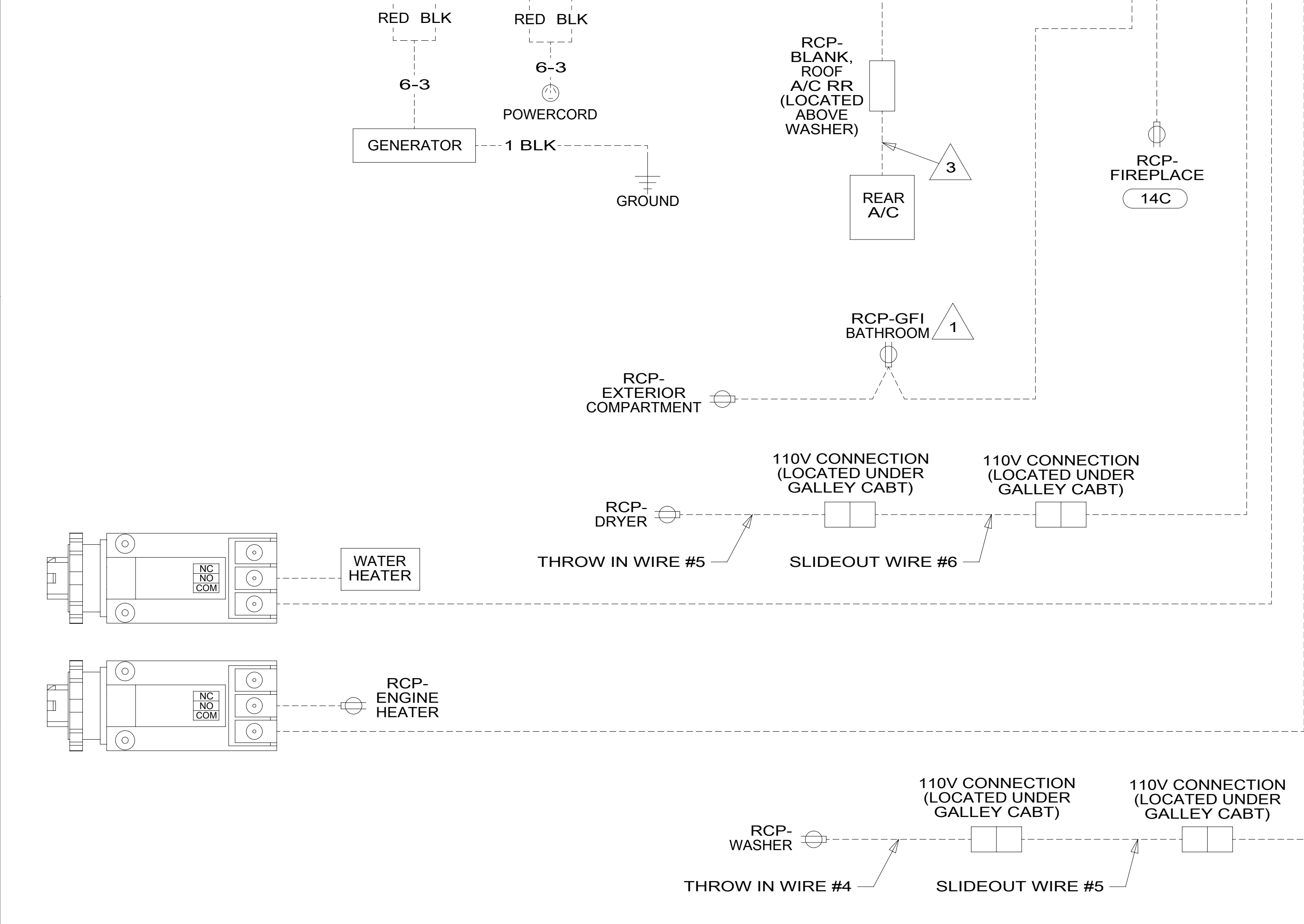
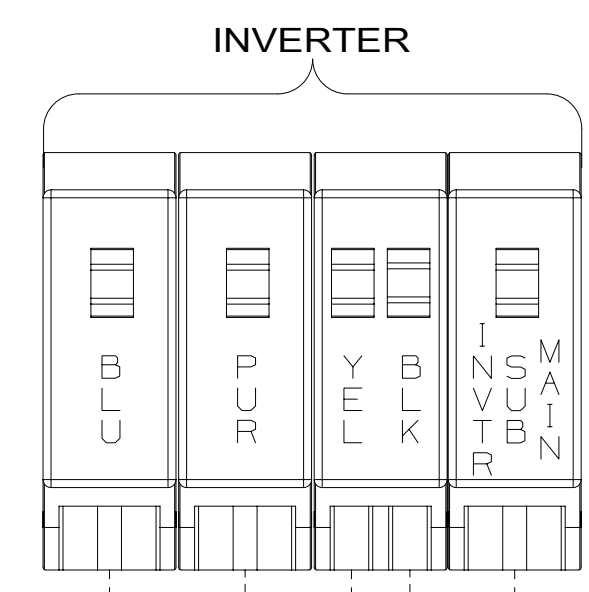
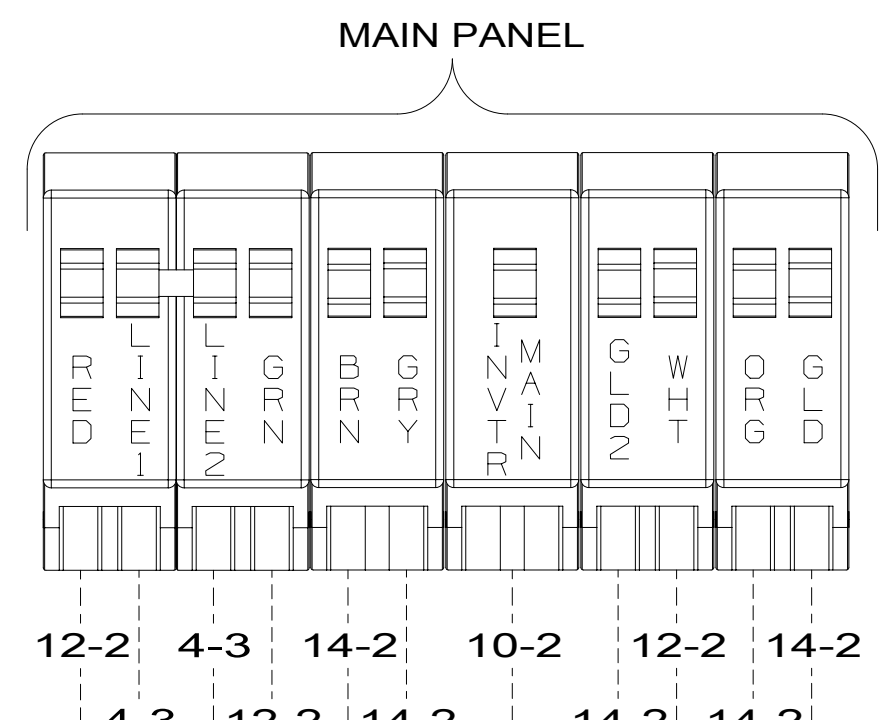
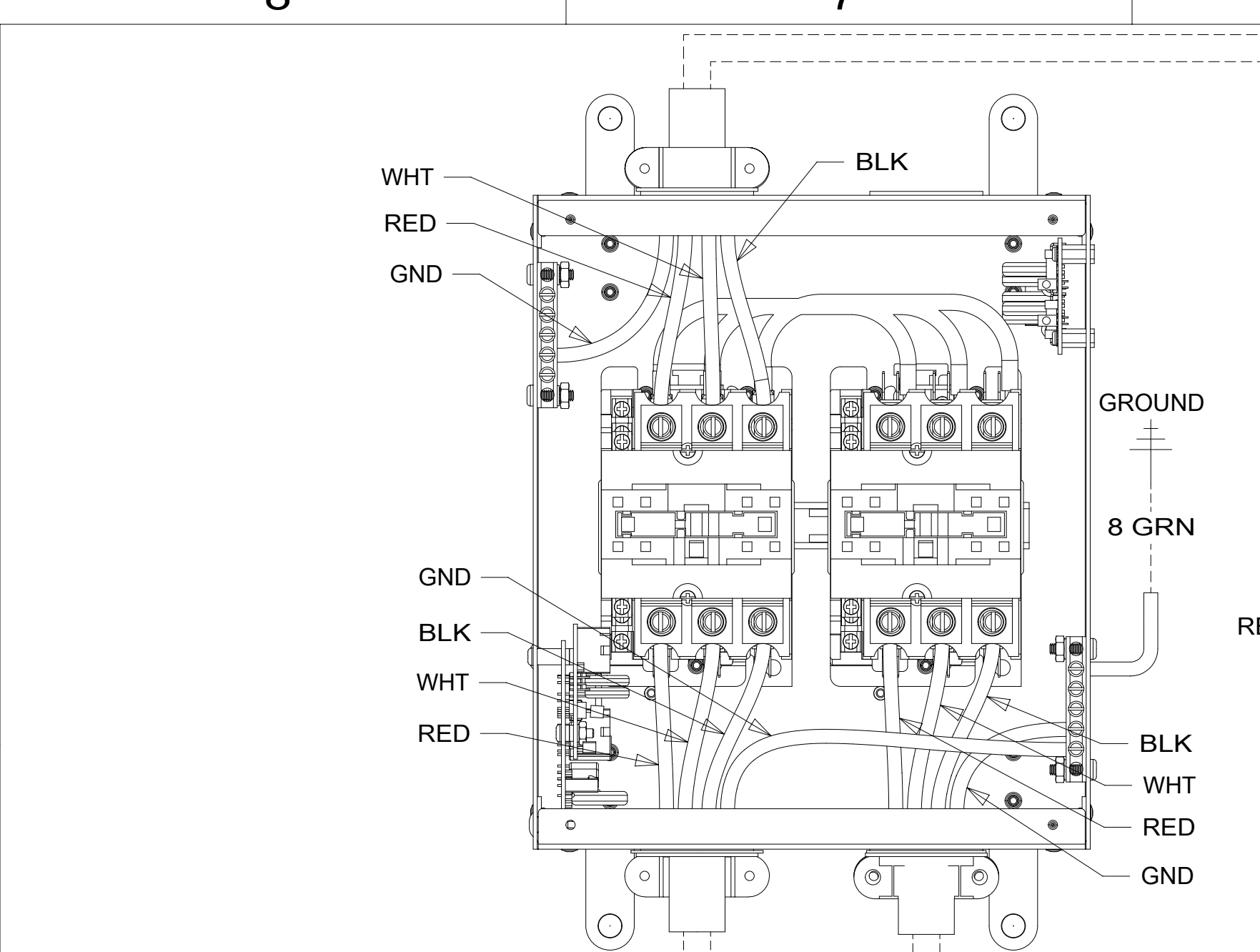
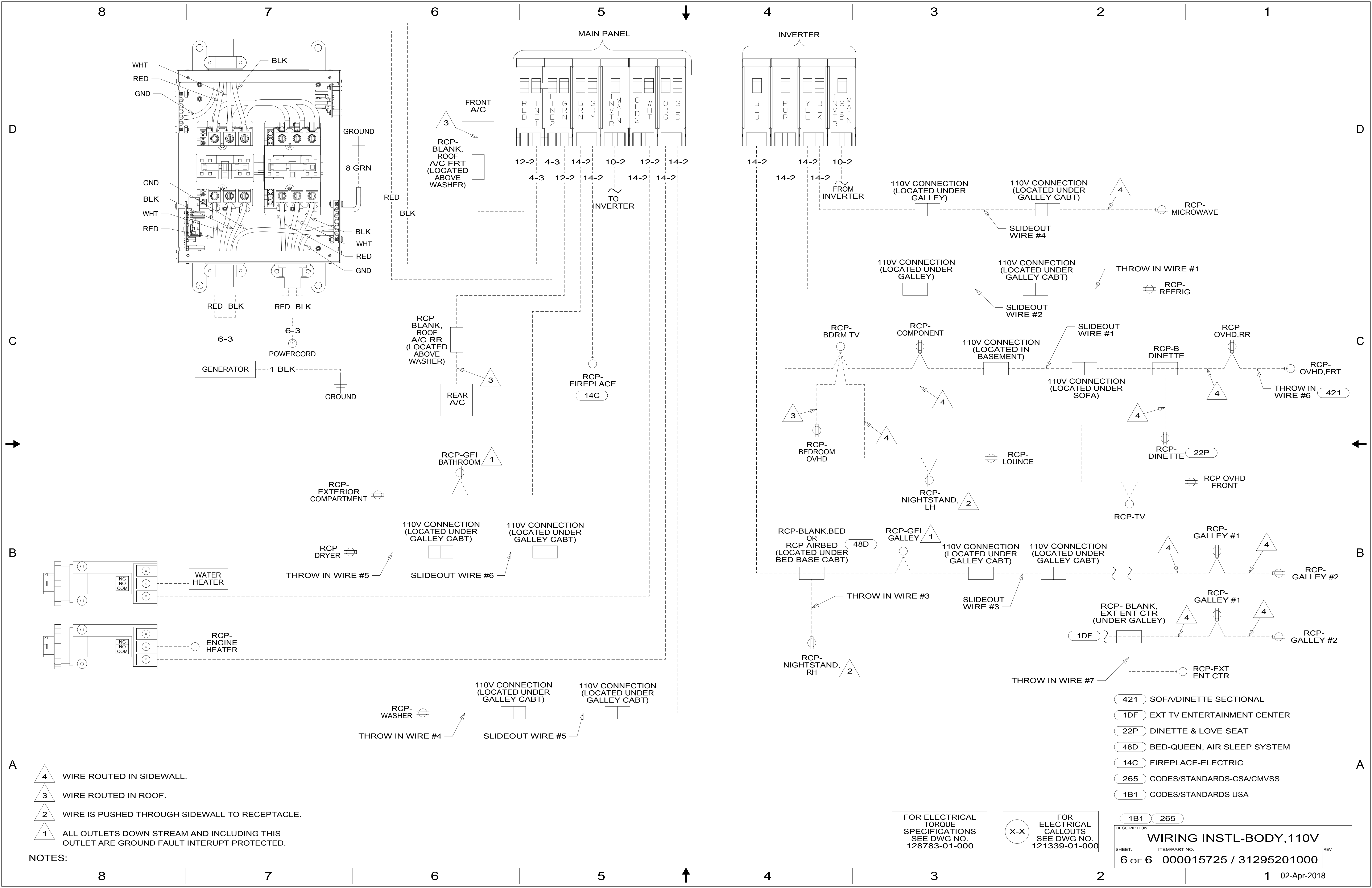
1B1 265

1 SEE LOAD CENTER/ATS ASM FOR ADDITIONAL INFORMATION.

FOR ELECTRICAL
TORQUE
SPECIFICATIONS
SEE DWG NO.
128783-01-000

FOR ELECTRICAL
CALLOUTS
SEE DWG NO.
121339-01-000

DESCRIPTION: WIRING INSTL-BODY, 110V		
SHEET: 5 OF 6	ITEM/PART NO: 000015725 / 31295201000	REV



- NOTES:
- 4 WIRE ROUTED IN SIDEWALL.
 - 3 WIRE ROUTED IN ROOF.
 - 2 WIRE IS PUSHED THROUGH SIDEWALL TO RECEPTACLE.
 - 1 ALL OUTLETS DOWN STREAM AND INCLUDING THIS OUTLET ARE GROUND FAULT INTERRUPT PROTECTED.

- 421 SOFA/DINETTE SECTIONAL
- 1DF EXT TV ENTERTAINMENT CENTER
- 22P DINETTE & LOVE SEAT
- 48D BED-QUEEN, AIR SLEEP SYSTEM
- 14C FIREPLACE-ELECTRIC
- 265 CODES/STANDARDS-CSA/CMVSS
- 1B1 CODES/STANDARDS USA

FOR ELECTRICAL TORQUE SPECIFICATIONS SEE DWG NO. 128783-01-000

FOR ELECTRICAL CALLOUTS SEE DWG NO. 121339-01-000

DESCRIPTION:		1B1 265	
WIRING INSTL-BODY, 110V			
SHEET:	ITEM/PART NO.:	REV:	
6 OF 6	000015725 / 31295201000		