

- 9. ALL CRIMP FITTINGS TO 3/4" PEX TUBING REQUIRE 3/4" CLAMP 140171-05-000.
- 8. ALL CRIMP FITTINGS TO 1/2" PEX TUBING REQUIRE 1/2" CLAMP 140171-03-000.
- 7. ALL CRIMP FITTINGS TO 5/8" PEX TUBING REQUIRE 5/8" CLAMP 140171-04-000.
- 6 LABEL HOT AND COLD SUPPLY TUBES AND TAPE FITTING TO TUBE BEFORE CABINET SET TO PREVENT MOVEMENT.
- 5 ADD PIPE WRAP (LADDER SCRAP 110157-02-000) INSULATION.
- 4 ADD TEFLON TAPE 010405-02-000.
- 3. ALL TUBING TO BE SECURED AT 1200 INTERVALS MAXIMUM WITH CLAMP 010495-01-000 AND SCREW 000G67-10-12U OR EQUIVALENT.
- 2. TUBING TO BE INSTALLED WITH SUFFICIENT SLOPE TO PROVIDE DRAINAGE TO NEAREST VALVE.
- 1. PLASTIC FITTINGS TO BE SEALED WITH SEALANT 084456-01-000.

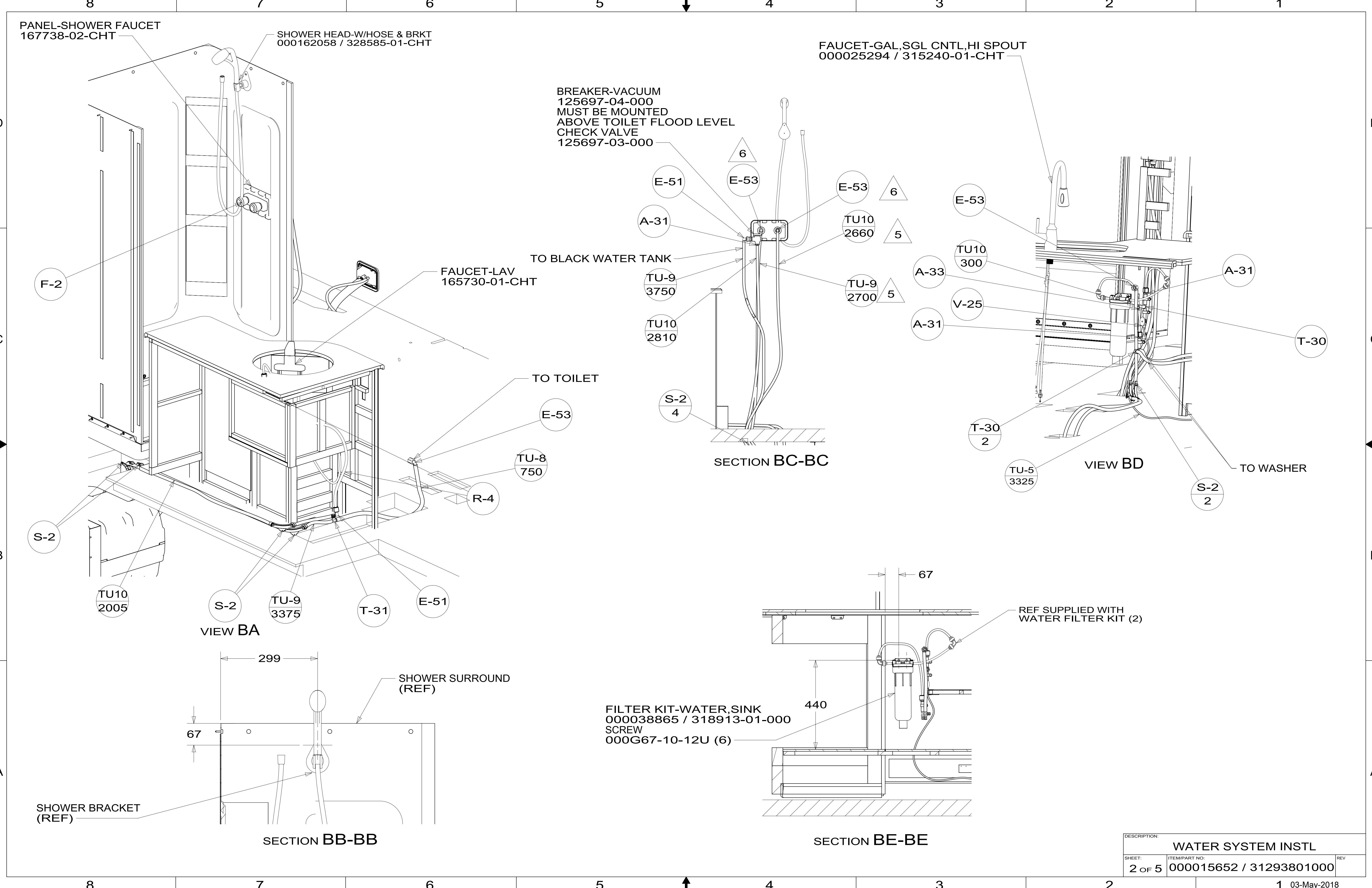
NOTES:

- (21M) WASHER/DRYER PREP
- (21S) WASHER & DRYER-PAIR

WINNEBAGO[®]
COPYRIGHT 2018 WINNEBAGO INDUSTRIES, INC.

DSNR:		ALL DIMENSIONS ARE IN MILLIMETERS	
DIFTR:		⊕	
UNSPECIFIED TOLERANCES:	MATERIAL:		
WHOLE DIM (X) :	3		
ONE-PLACE (X.X) :	1.5		
TWO-PLACE (X.XX) :	0.50		
ANGLE :	1°		
REFER TO ES0018 FOR FASTENER TIGHTENING GUIDELINES	WEIGHT: (LBS)	FIRST USED: (REF)	
		17 D33C	
DESCRIPTION:			
WATER SYSTEM INSTL			
SHEET:	ITEM/PART NO.:	REV	
1 OF 5	000015652 / 31293801000		
REF:		1 03-May-2018	

(X-X)
FOR WATER CALLOUTS SEE DWG NO. 000209446 / 303369-01-000



PANEL-SHOWER FAUCET
167738-02-CHT

SHOWER HEAD-W/HOSE & BRKT
000162058 / 328585-01-CHT

FAUCET-GAL,SGL CNTL,HI SPOUT
000025294 / 315240-01-CHT

BREAKER-VACUUM
125697-04-000
MUST BE MOUNTED
ABOVE TOILET FLOOD LEVEL
CHECK VALVE
125697-03-000

FAUCET-LAV
165730-01-CHT

TO BLACK WATER TANK

TO TOILET

VIEW BD

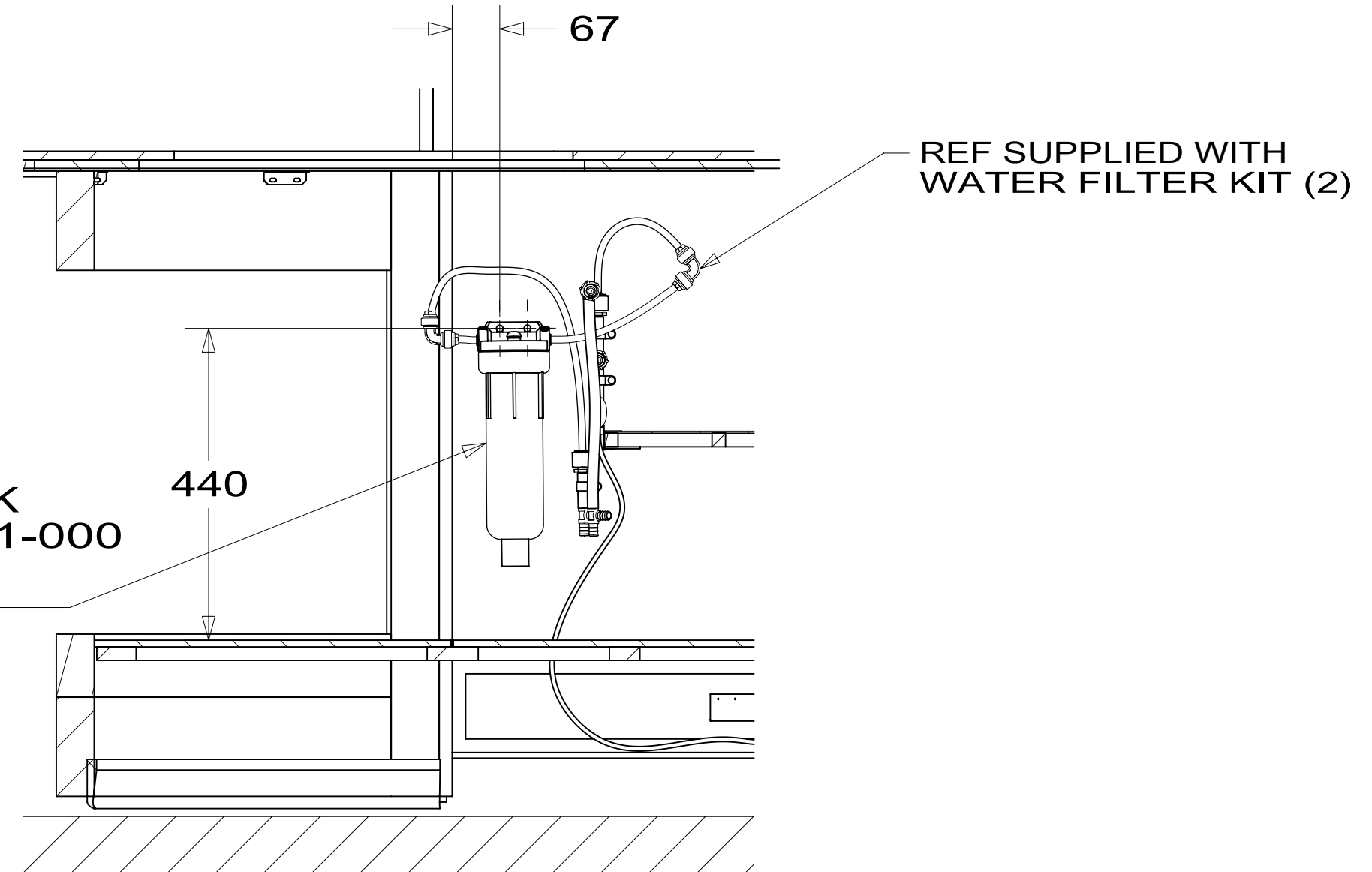
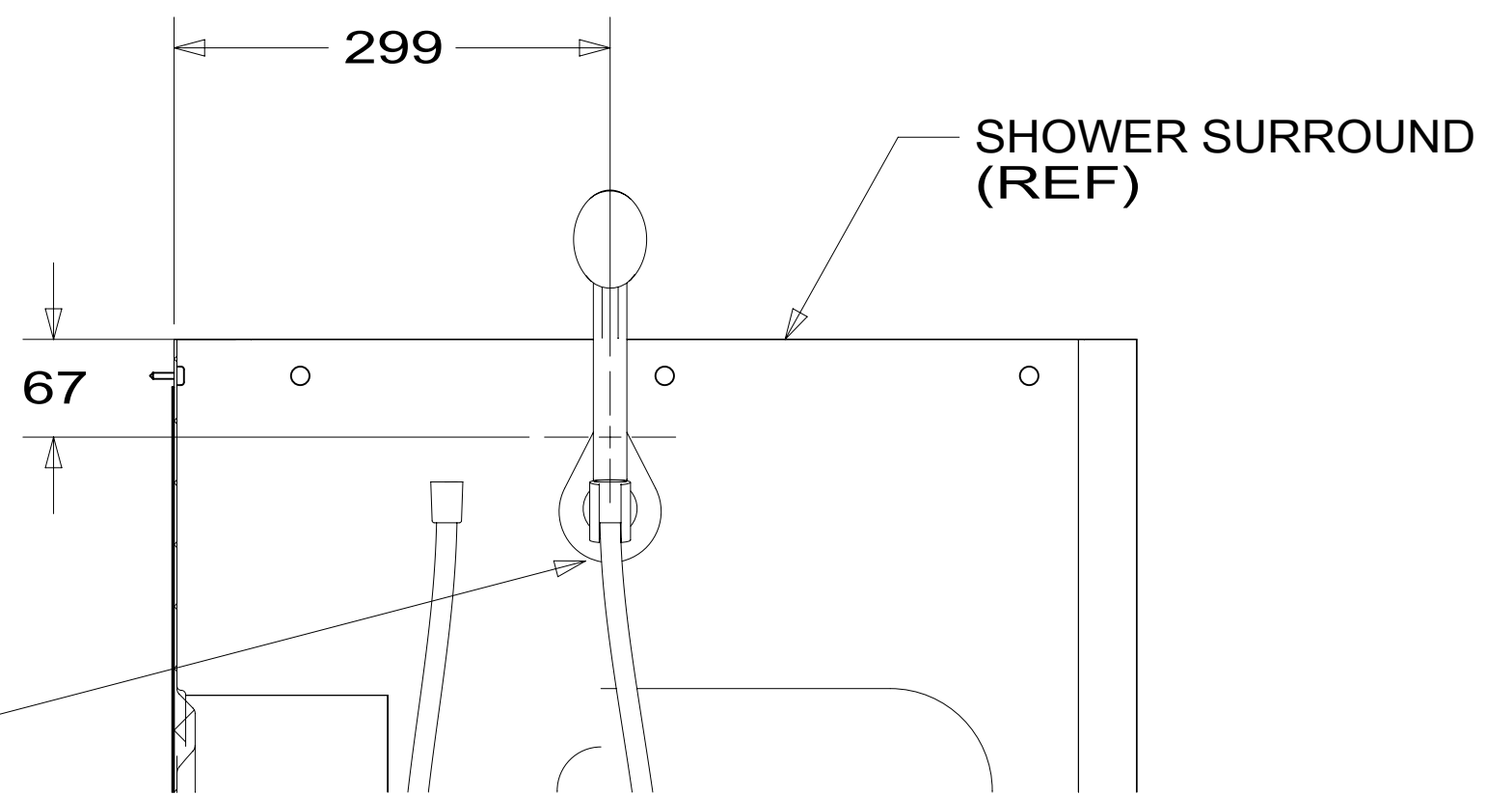
TO WASHER

VIEW BA

SECTION BC-BC

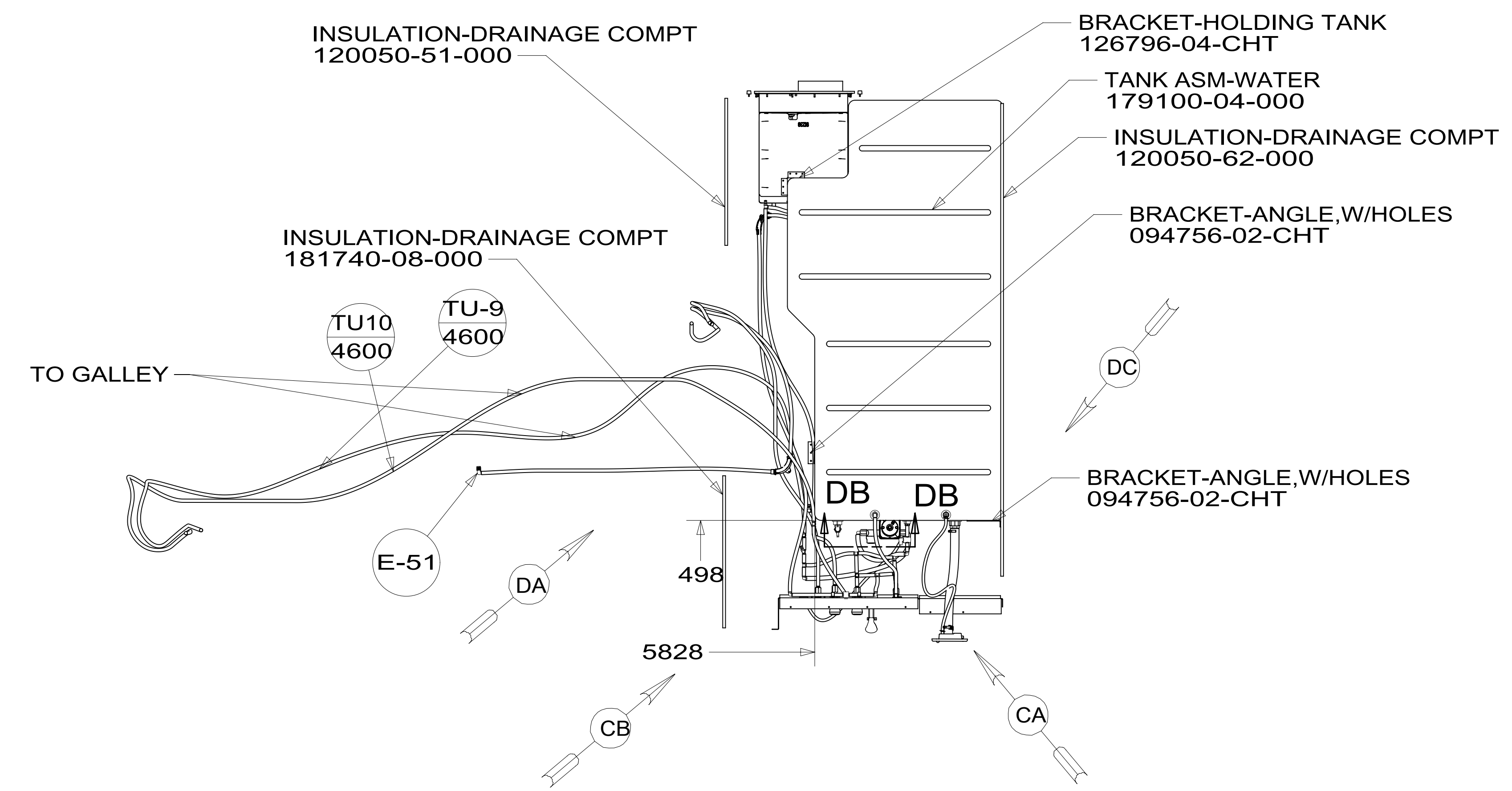
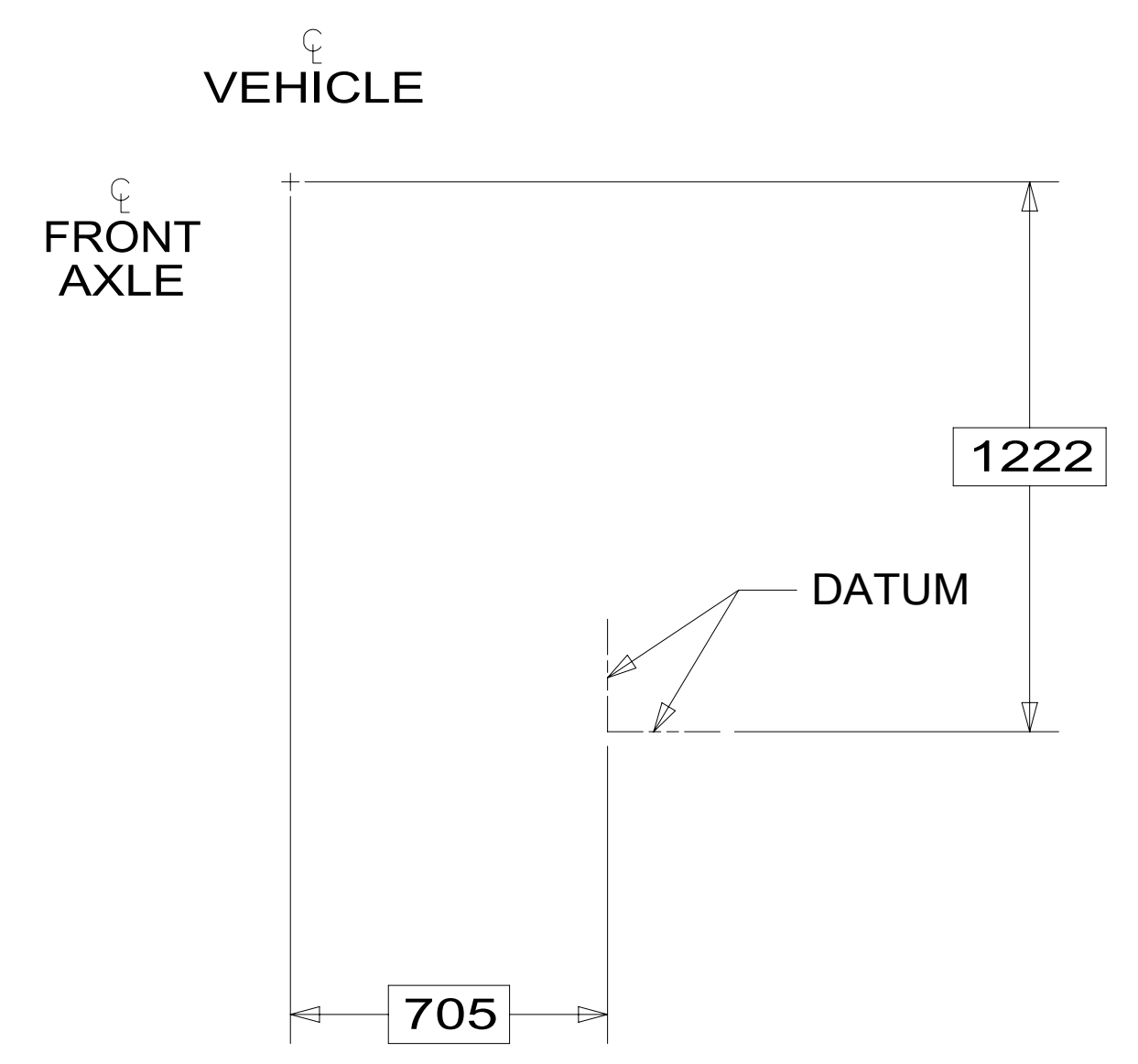
SECTION BB-BB

SECTION BE-BE

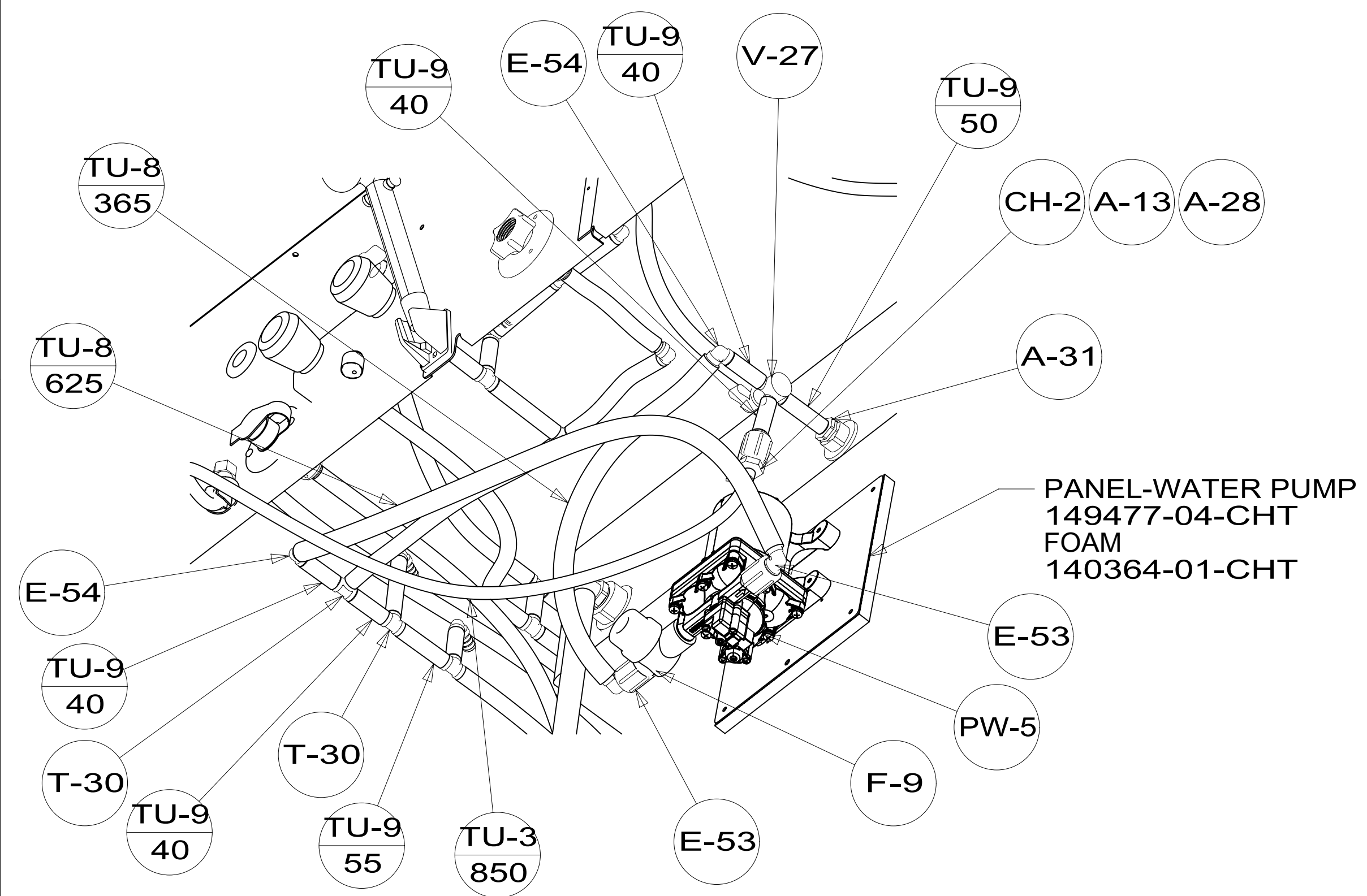


DESCRIPTION:		
WATER SYSTEM INSTL		
SHEET:	ITEM/PART NO:	REV
2 OF 5	000015652 / 31293801000	

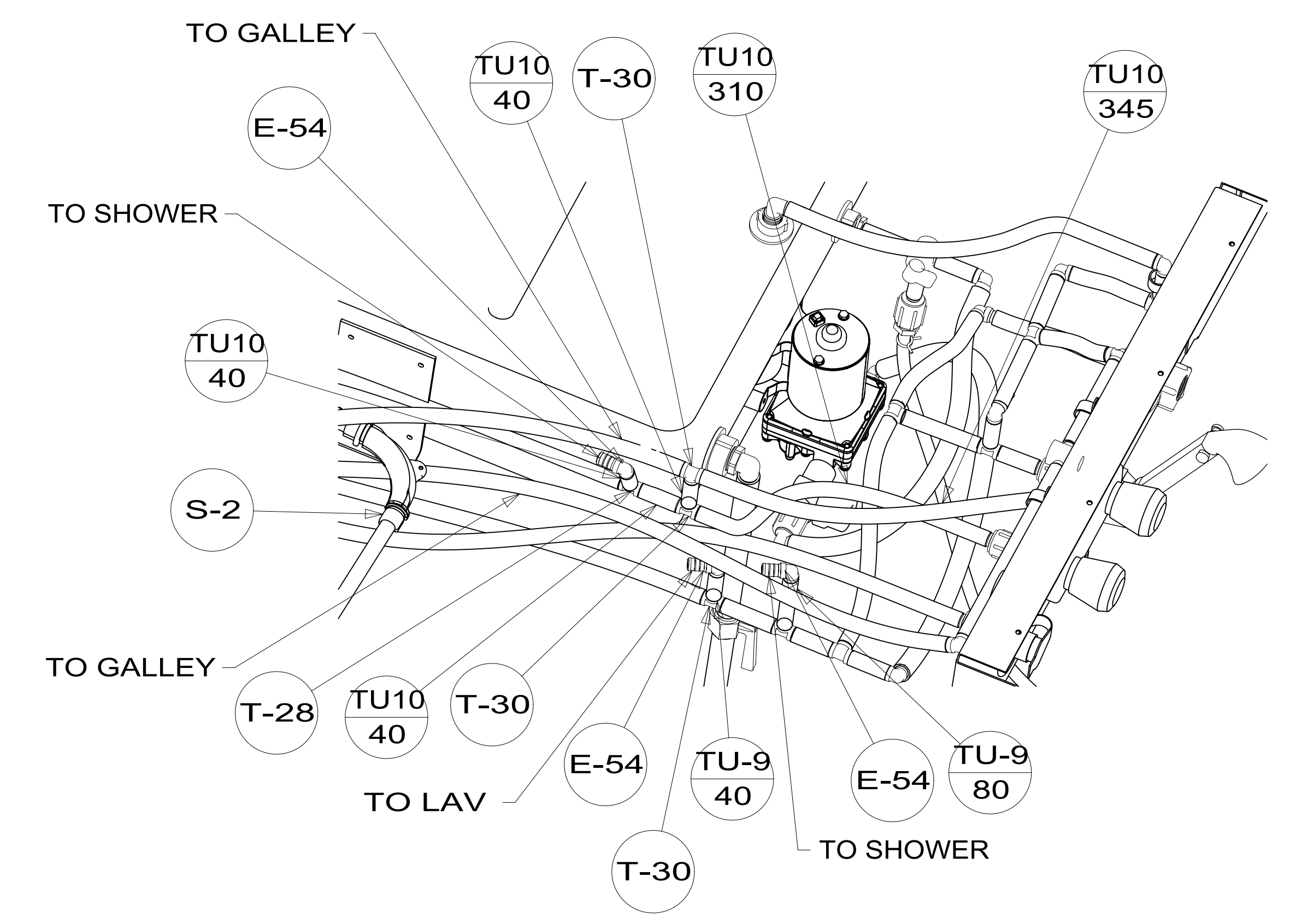
8 7 6 5 4 3 2 1



SHOWING LINES UNDER FLOOR



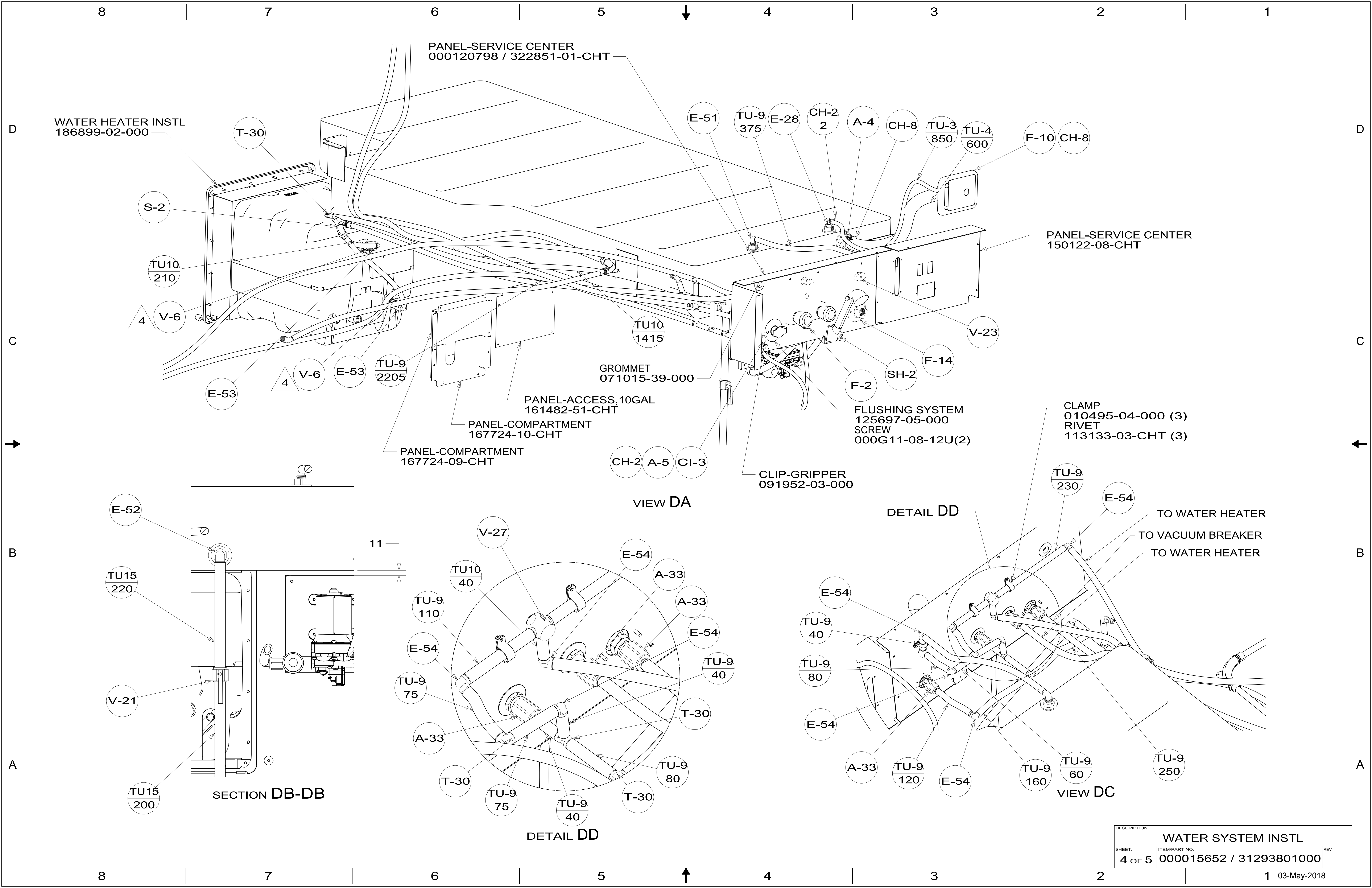
VIEW CA



VIEW CB

DESCRIPTION:		
WATER SYSTEM INSTL		
SHEET:	ITEM/PART NO:	REV
3 OF 5	000015652 / 31293801000	

8 7 6 5 4 3 2 1 03-May-2018



PANEL-SERVICE CENTER
000120798 / 322851-01-CHT

WATER HEATER INSTL
186899-02-000

PANEL-SERVICE CENTER
150122-08-CHT

GROMMET
071015-39-000

FLUSHING SYSTEM
125697-05-000
SCREW
000G11-08-12U(2)

CLAMP
010495-04-000 (3)
RIVET
113133-03-CHT (3)

VIEW DA

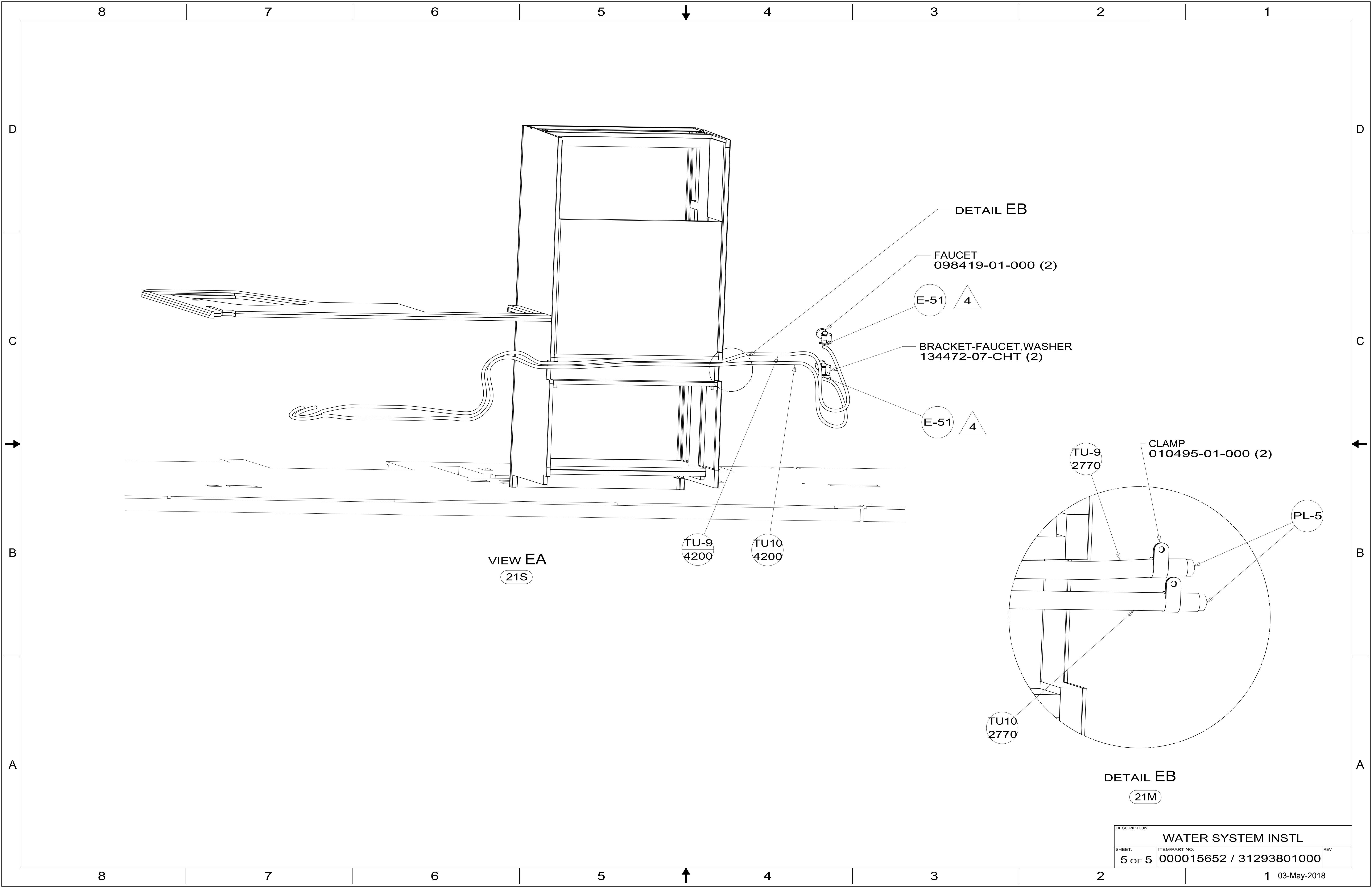
DETAIL DD

SECTION DB-DB

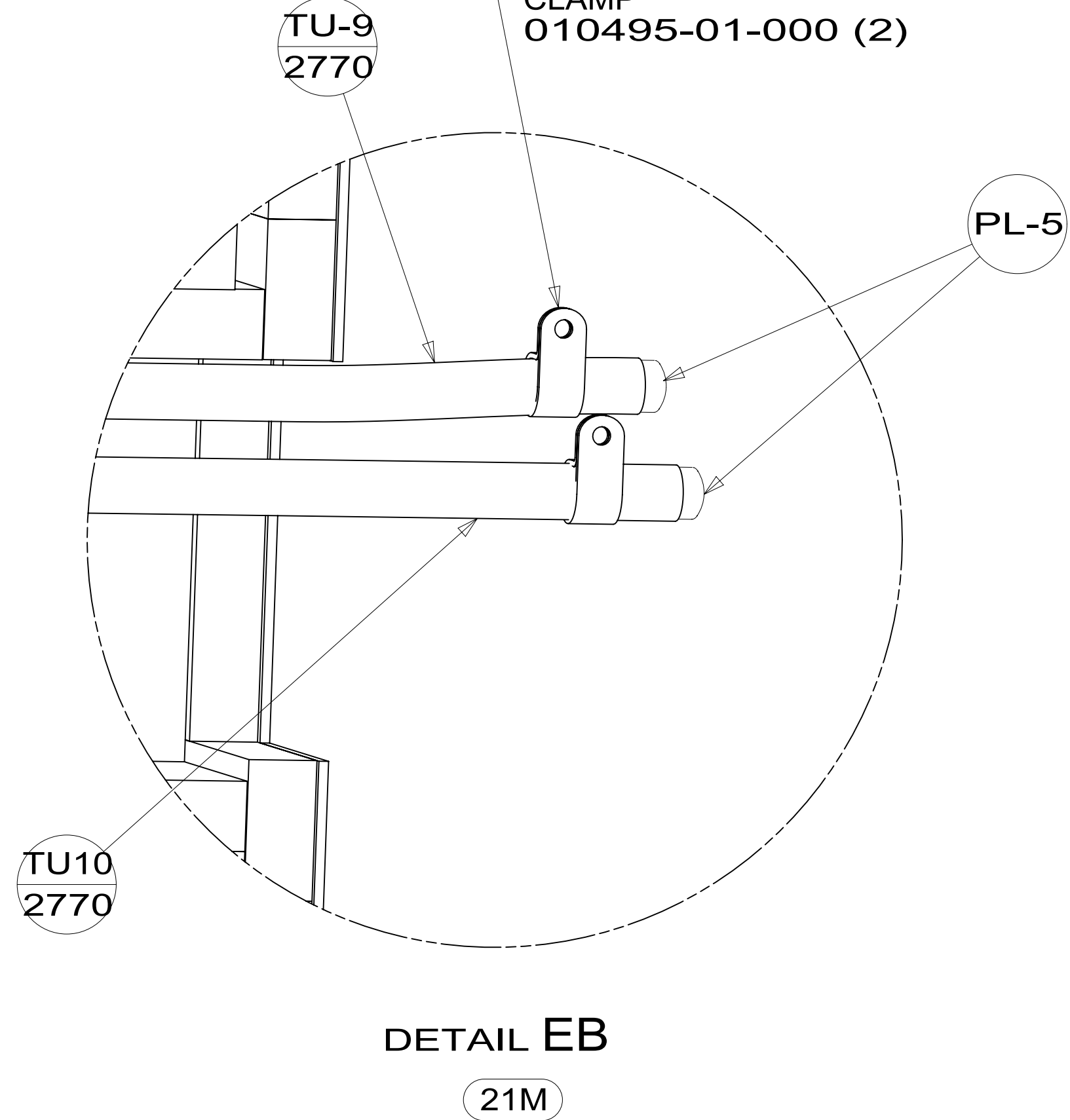
DETAIL DD

VIEW DC

DESCRIPTION:		
WATER SYSTEM INSTL		
SHEET:	ITEM/PART NO:	REV
4 OF 5	000015652 / 31293801000	



VIEW EA
21S



DETAIL EB
21M

DETAIL EB
FAUCET
098419-01-000 (2)

BRACKET-FAUCET, WASHER
134472-07-CHT (2)

CLAMP
010495-01-000 (2)

DESCRIPTION:		
WATER SYSTEM INSTL		
SHEET:	ITEM/PART NO:	REV:
5 OF 5	000015652 / 31293801000	