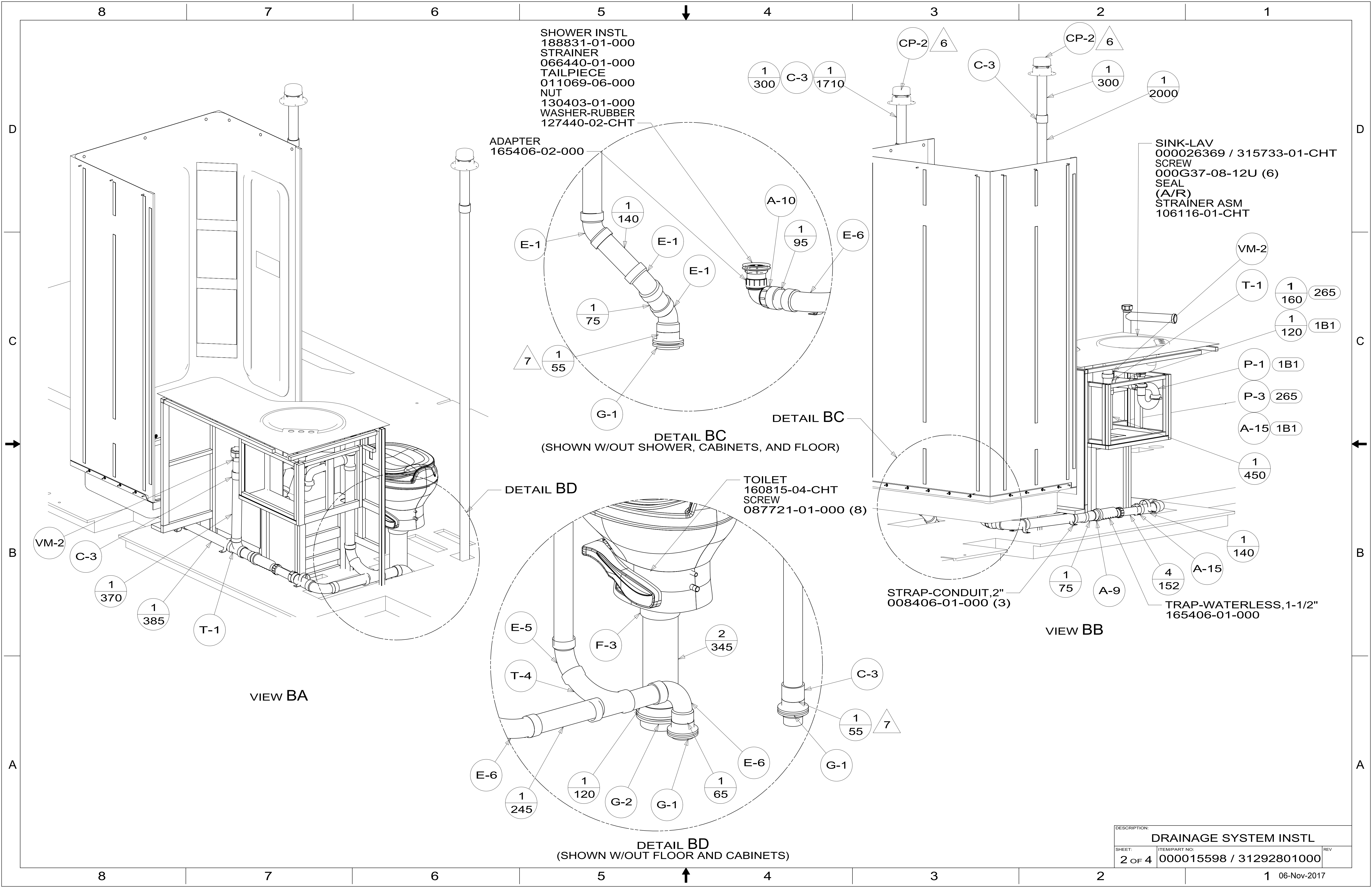


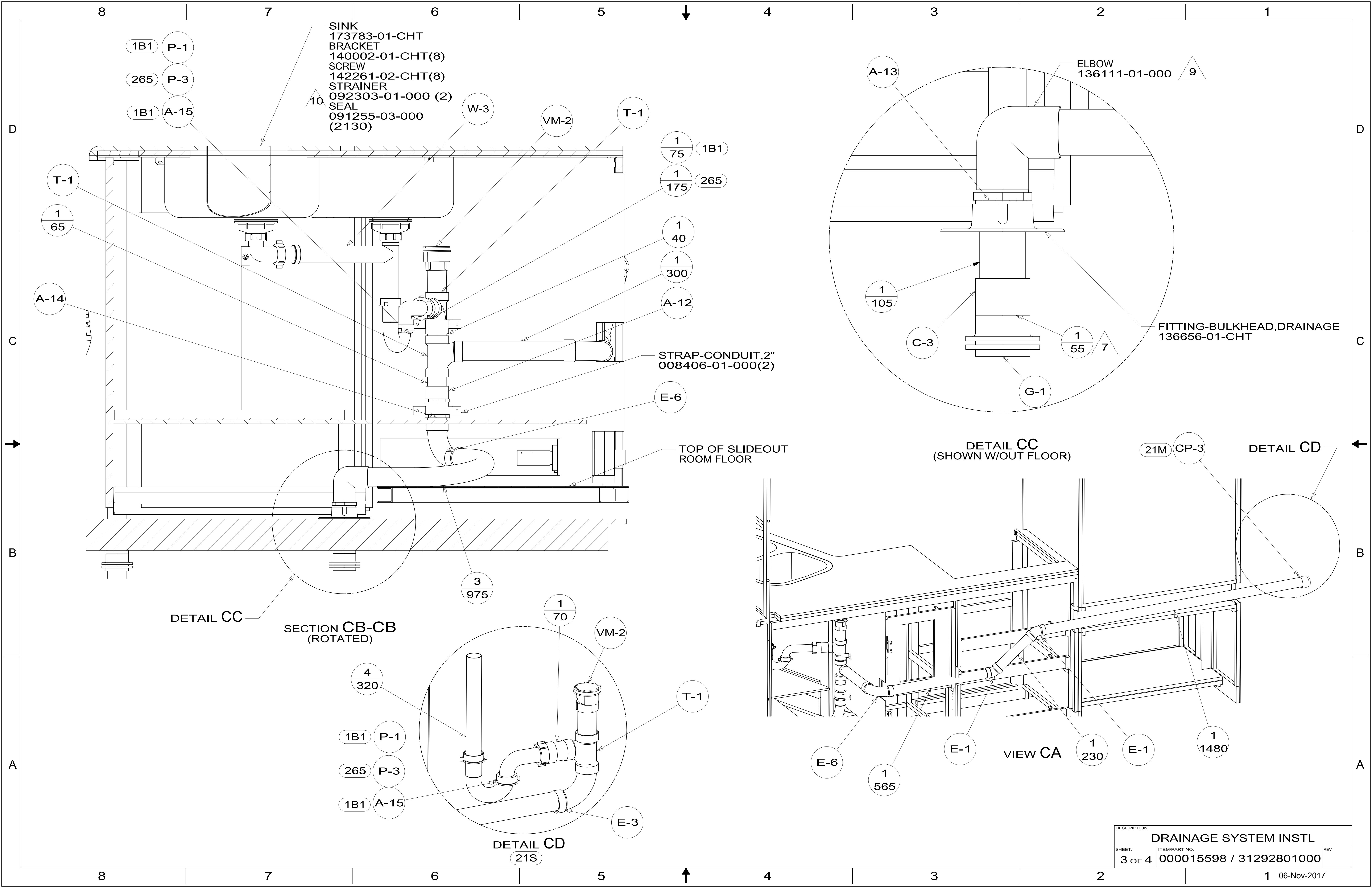
- NOTES:
10. USE SMOOTH PLUMBERS PUTTY 167459-01-000 TO SEAL STRAINER (0.2 PER STRAINER).
 9. APPLY PRIMER 126427-02-000 AND CEMENT 126427-01-000 BETWEEN ELBOW AND FLEX PIPE.
 8. SECURE DRAINAGE PIPES TO CABINET USING WIRE TIE 108046-02-000, AND SCREW 000G67-10-12U AT INTERVALS OF NOT MORE THAN 4 FEET APART.
 7. SECURE VENT PIPE TO TANK WITH CLAMP 062401-02-000.
 6. VENT PIPE MUST PROJECT 51 MIN AND 64 MAX ABOVE ROOF FOR PROPER FIT AND FUNCTION. ADD S-1 (116666-01-CHT SEAL-VENT PIPE) AROUND PIPE ON ROOF BEFORE VENT CAP IS INSTALLED.
 5. SEAL AROUND SHOWER WITH SILICONE.
 4. ATTACH TANK BRACKET TO RISER.
 3. ALL PIPE AND FITTINGS TO BE ASSEMBLED WITH SOLVENT 004020-01-000 (USA), 004020-02-000 (CAN)
 2. SLOPE OF TRAP ARM MUST BE 6 PER 305 mm.
 1. SLOPE OF HORIZONTAL PIPING TO BE MINIMUM OF 3 PER 305 mm.

- 21S WASHER & DRYER-PAIR
- 21M WASHER/DRYER PREP
- 1B1 CODES/STANDARDS-USA
- 265 CODES/STANDARDS-CSA/CMVSS

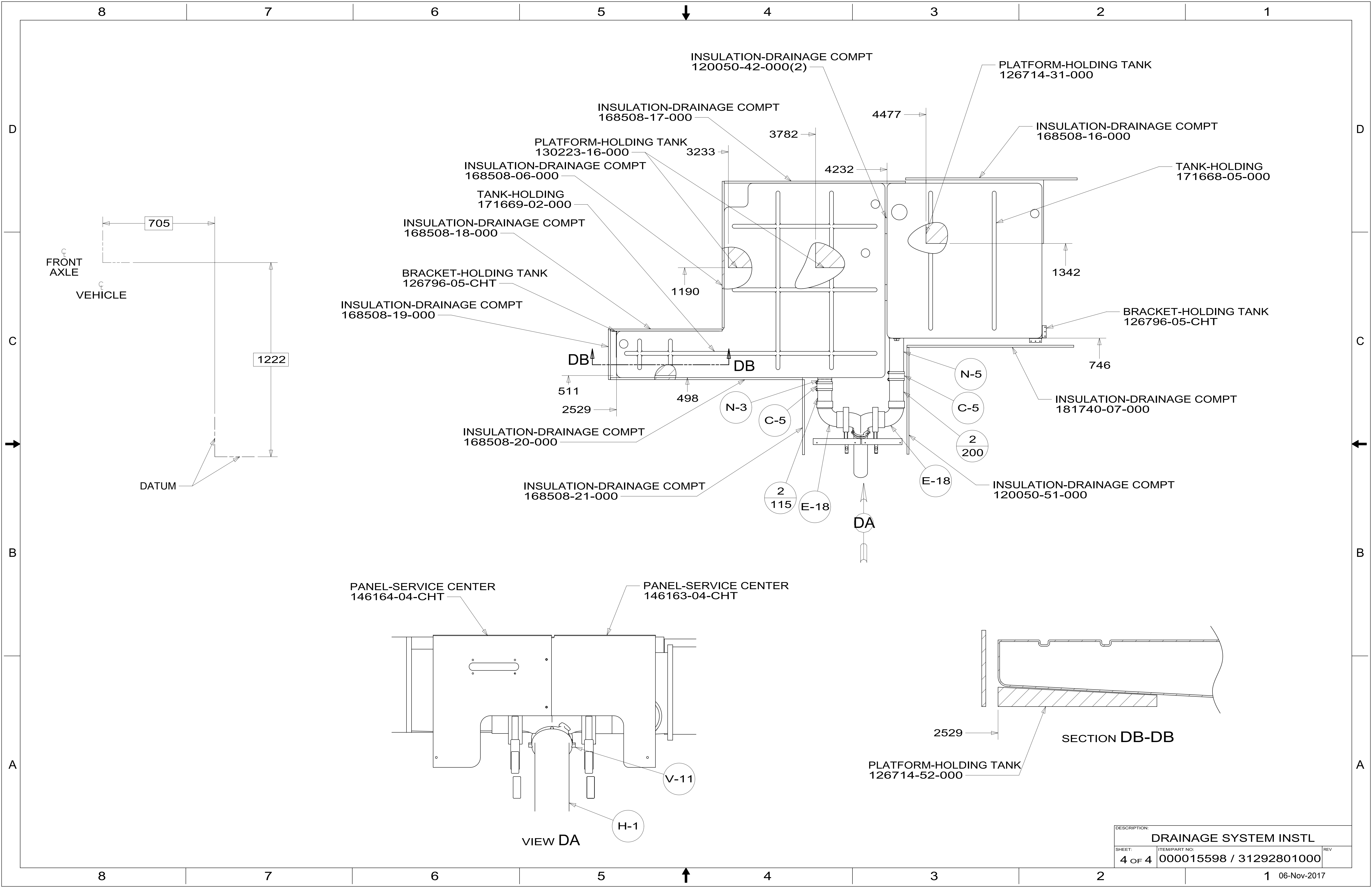
FOR
DRAINAGE
CALLOUTS
SEE DWG NO.
000211962 /
303370-01-000

WINNEBAGO COPYRIGHT 2017 WINNEBAGO INDUSTRIES, INC.	
DSNR:	ALL DIMENSIONS ARE IN MILLIMETERS
DIFFR:	
UNSPECIFIED TOLERANCES:	MATERIAL:
WHOLE DIM (X) : 3	
ONE-PLACE (X.X) : 1.5	
TWO-PLACE (X.XX) : 0.50	
ANGLE : 1°	
REFER TO ES0018 FOR FASTENER TIGHTENING GUIDELINES	WEIGHT: (LBS) FIRST USED: (REF)
	17 D33C
DRAINAGE SYSTEM INSTL	
SHEET: 1 OF 4	ITEM/PART NO: 000015598 / 31292801000
REV:	
REF:	1 06-Nov-2017





DESCRIPTION:		
DRAINAGE SYSTEM INSTL		
SHEET:	ITEM/PART NO:	REV
3 OF 4	000015598 / 31292801000	



DESCRIPTION:		
DRAINAGE SYSTEM INSTL		
SHEET:	ITEM/PART NO:	REV
4 OF 4	000015598 / 31292801000	