

1DF EXTERIOR TV ASM
195120-01-XXX

RIGHT SIDEWALL
(REF)

1DF EXT TV ENTERTAINMENT CENTER

265 CODES/STANDARDS-CSA/CMVSS

1B1 CODES/STANDARDS USA

1B1 265



DSNR:		ALL DIMENSIONS ARE IN MILLIMETERS	
DFFR:		MATERIAL:	
UNSPECIFIED TOLERANCES:			
WHOLE DIM (X)	: 3		
ONE-PLACE (X.X)	: 1.5		
TWO-PLACE (X.XX)	: 0.50		
ANGLE	: 1°		

REFER TO ES0018 FOR FASTENER TIGHTENING GUIDELINES

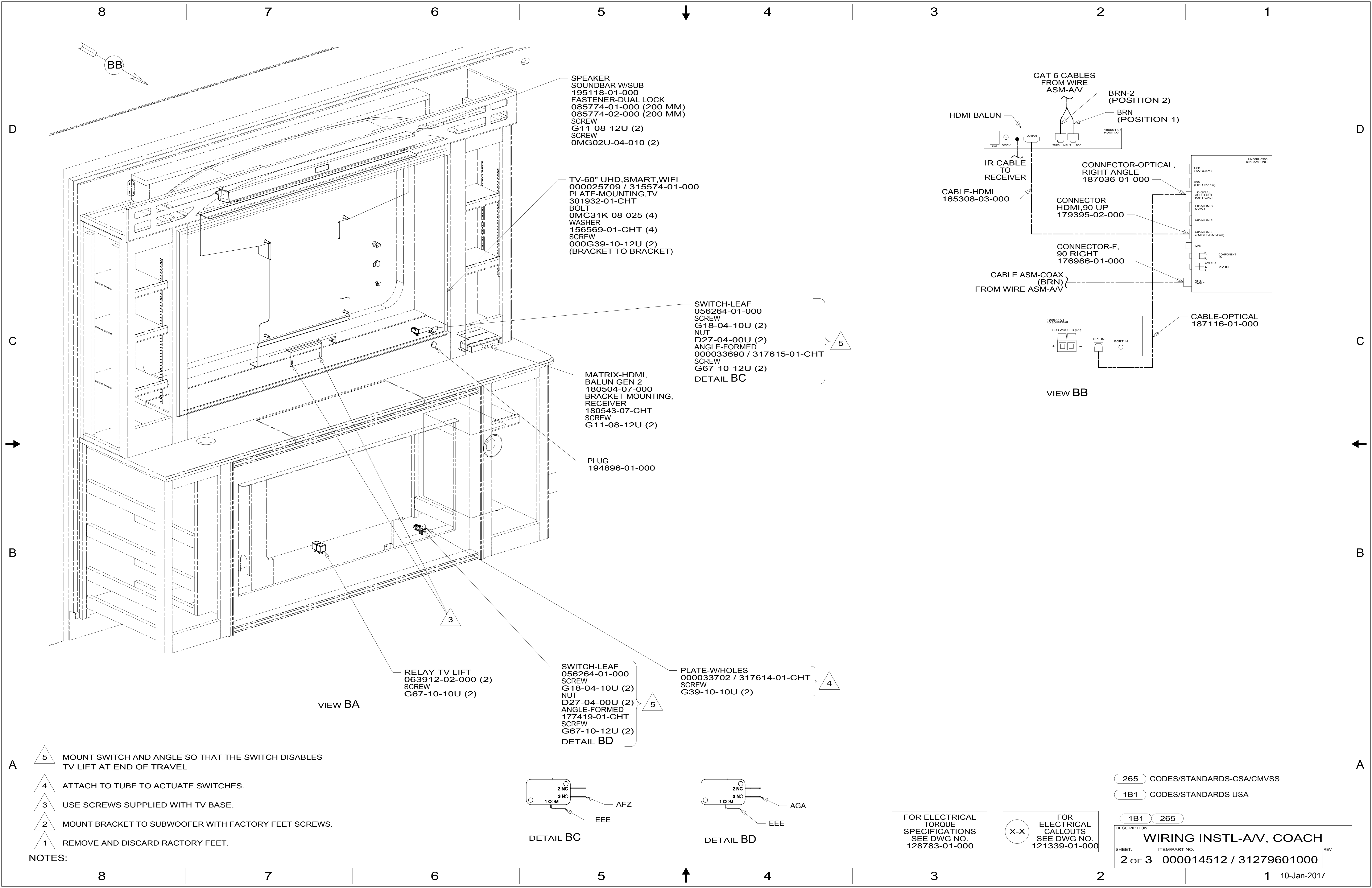
WEIGHT: (LBS) FIRST USED:
17 R45RD

WIRING INSTL-A/V, COACH

SHEET:	ITEM/PART NO.:	REV:
1 OF 3	000014512 / 31279601000	

FOR ELECTRICAL TORQUE SPECIFICATIONS SEE DWG NO. 128783-01-000

FOR ELECTRICAL CALLOUTS SEE DWG NO. 121339-01-000



SPEAKER-SOUNDBAR W/SUB
195118-01-000
FASTENER-DUAL LOCK
085774-01-000 (200 MM)
085774-02-000 (200 MM)
SCREW
G11-08-12U (2)
SCREW
OMG02U-04-010 (2)

TV-60" UHD,SMART,WIFI
000025709 / 315574-01-000
PLATE-MOUNTING,TV
301932-01-CHT
BOLT
OMC31K-08-025 (4)
WASHER
156569-01-CHT (4)
SCREW
000G39-10-12U (2)
(BRACKET TO BRACKET)

SWITCH-LEAF
056264-01-000
SCREW
G18-04-10U (2)
NUT
D27-04-00U (2)
ANGLE-FORMED
000033690 / 317615-01-CHT
SCREW
G67-10-12U (2)
DETAIL BC

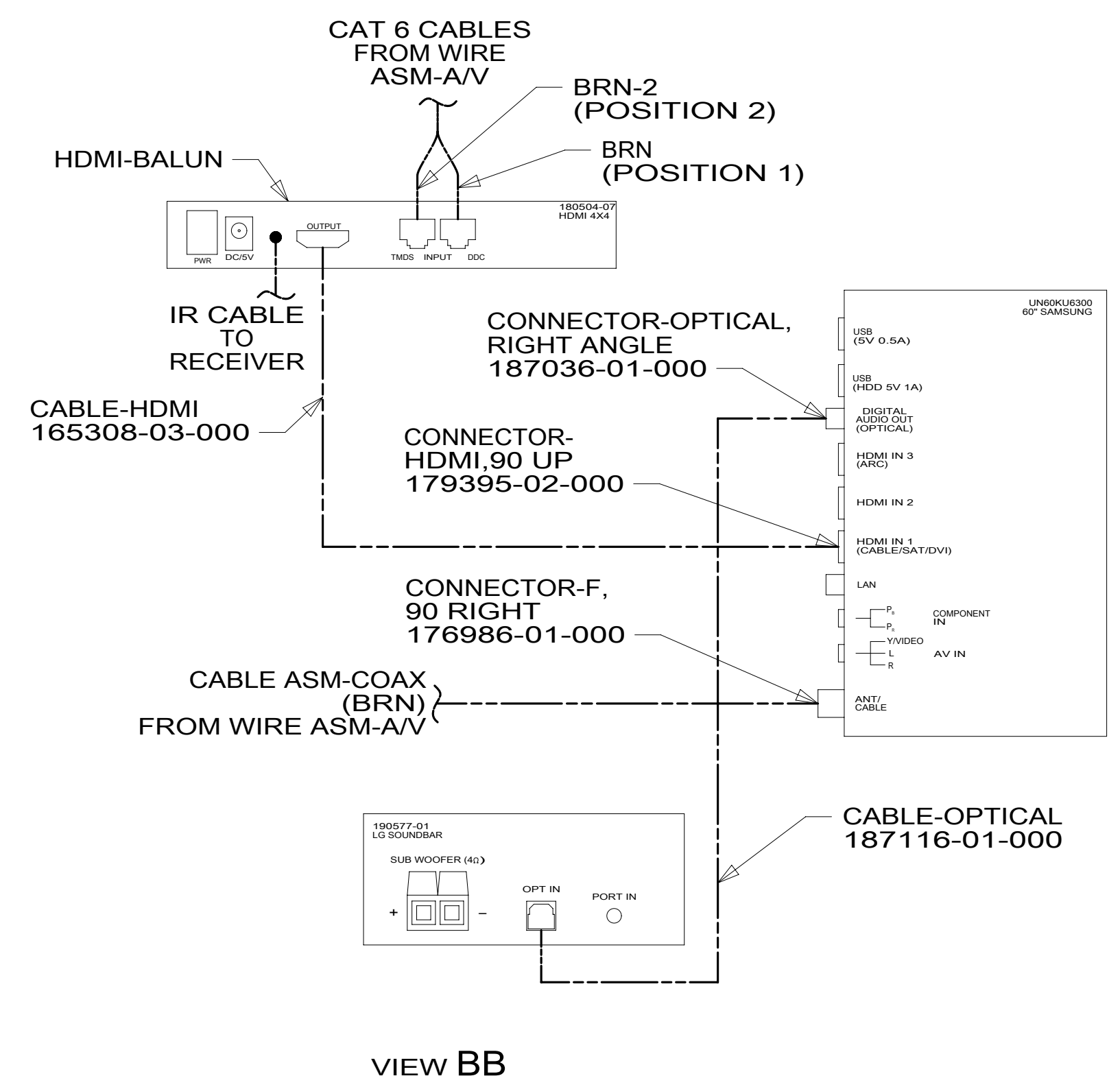
MATRIX-HDMI,
BALUN GEN 2
180504-07-000
BRACKET-MOUNTING,
RECEIVER
180543-07-CHT
SCREW
G11-08-12U (2)

PLUG
194896-01-000

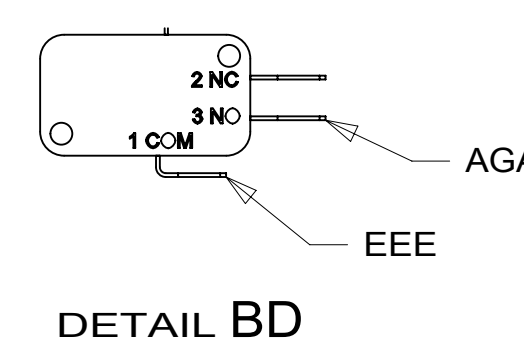
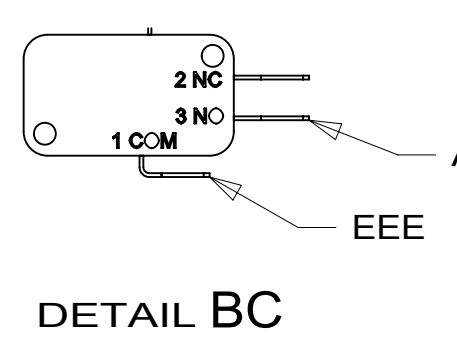
RELAY-TV LIFT
063912-02-000 (2)
SCREW
G67-10-10U (2)

SWITCH-LEAF
056264-01-000
SCREW
G18-04-10U (2)
NUT
D27-04-00U (2)
ANGLE-FORMED
177419-01-CHT
SCREW
G67-10-12U (2)
DETAIL BD

PLATE-W/HOLES
000033702 / 317614-01-CHT
SCREW
G39-10-10U (2)



VIEW BA



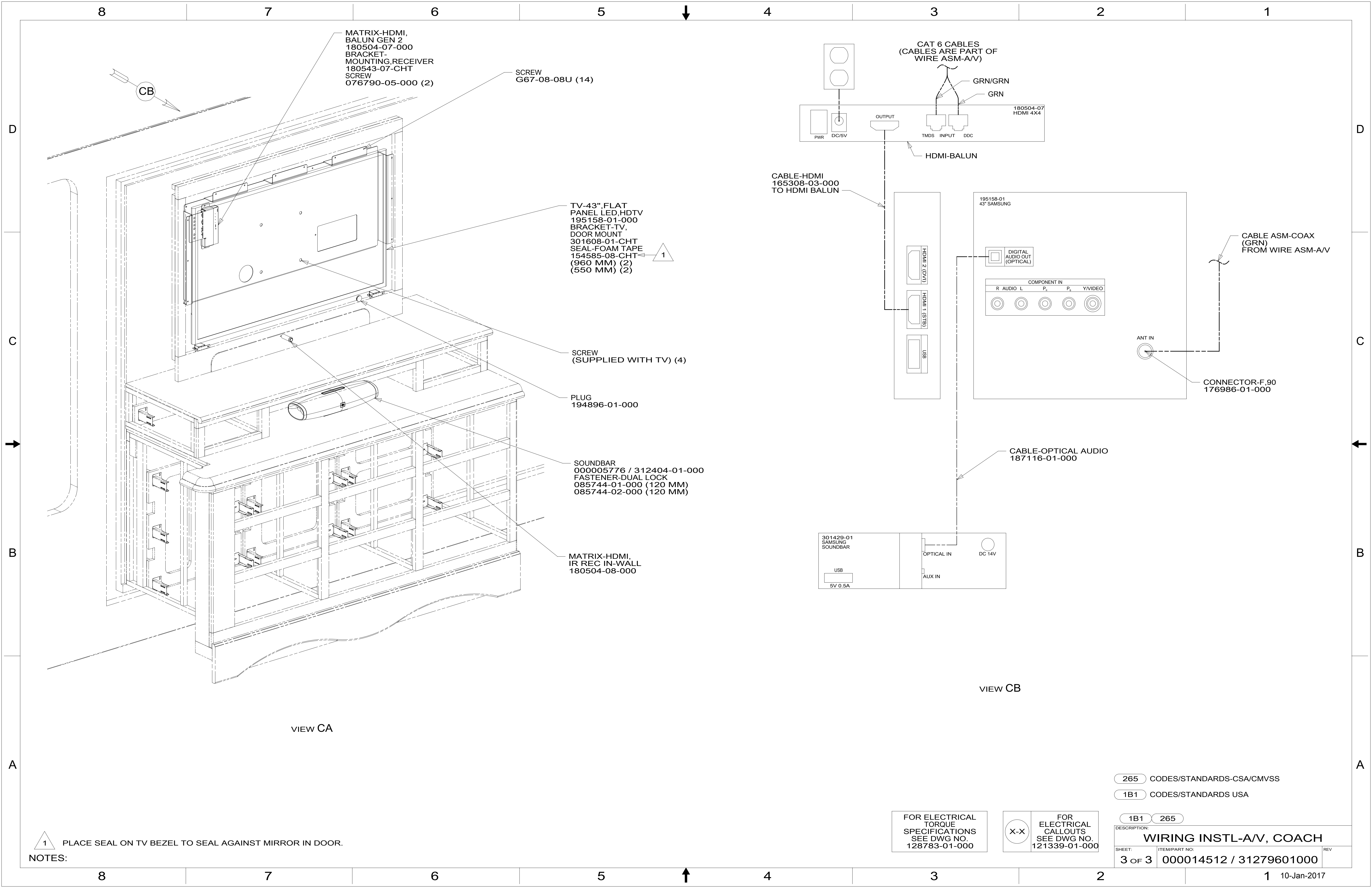
- NOTES:
- 5 MOUNT SWITCH AND ANGLE SO THAT THE SWITCH DISABLES TV LIFT AT END OF TRAVEL
 - 4 ATTACH TO TUBE TO ACTUATE SWITCHES.
 - 3 USE SCREWS SUPPLIED WITH TV BASE.
 - 2 MOUNT BRACKET TO SUBWOOFER WITH FACTORY FEET SCREWS.
 - 1 REMOVE AND DISCARD FACTORY FEET.

FOR ELECTRICAL TORQUE SPECIFICATIONS SEE DWG NO. 128783-01-000

FOR ELECTRICAL CALLOUTS SEE DWG NO. 121339-01-000

265 CODES/STANDARDS-CSA/CMVSS
1B1 CODES/STANDARDS USA

DESCRIPTION: WIRING INSTL-A/V, COACH	
SHEET: 2 OF 3	ITEM/PART NO: 000014512 / 31279601000
REV	



MATRIX-HDMI,
BALUN GEN 2
180504-07-000
BRACKET-
MOUNTING, RECEIVER
180543-07-CHT
SCREW
076790-05-000 (2)

SCREW
G67-08-08U (14)

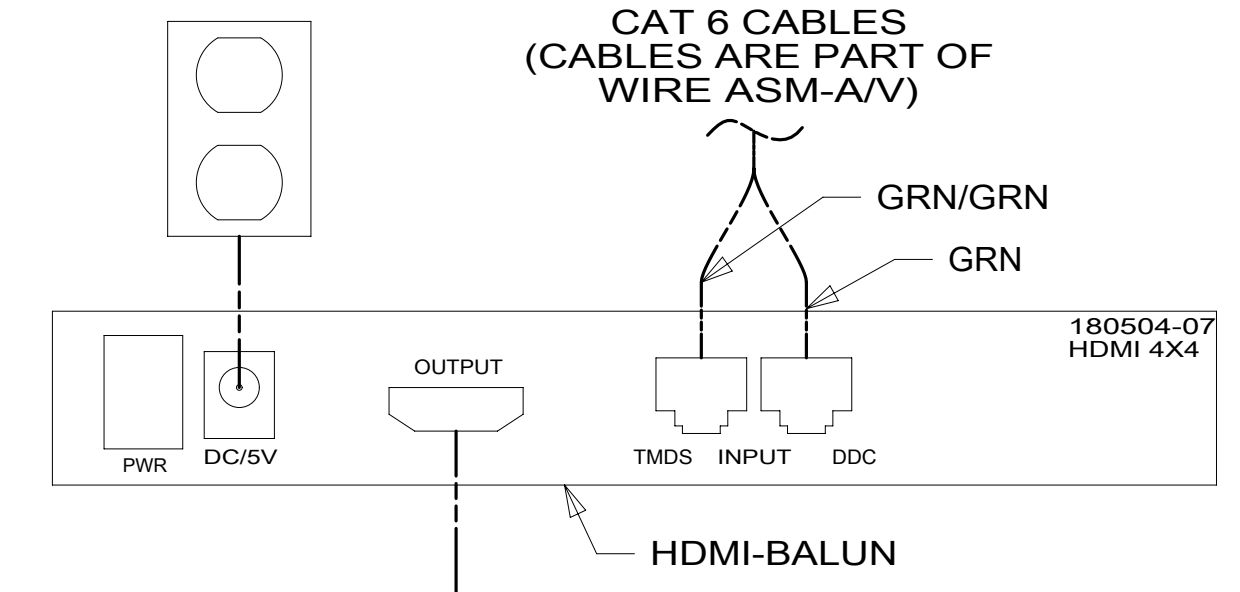
TV-43" FLAT
PANEL LED, HDTV
195158-01-000
BRACKET-TV,
DOOR MOUNT
301608-01-CHT
SEAL-FOAM TAPE
154585-08-CHT
(960 MM) (2)
(550 MM) (2)

SCREW
(SUPPLIED WITH TV) (4)

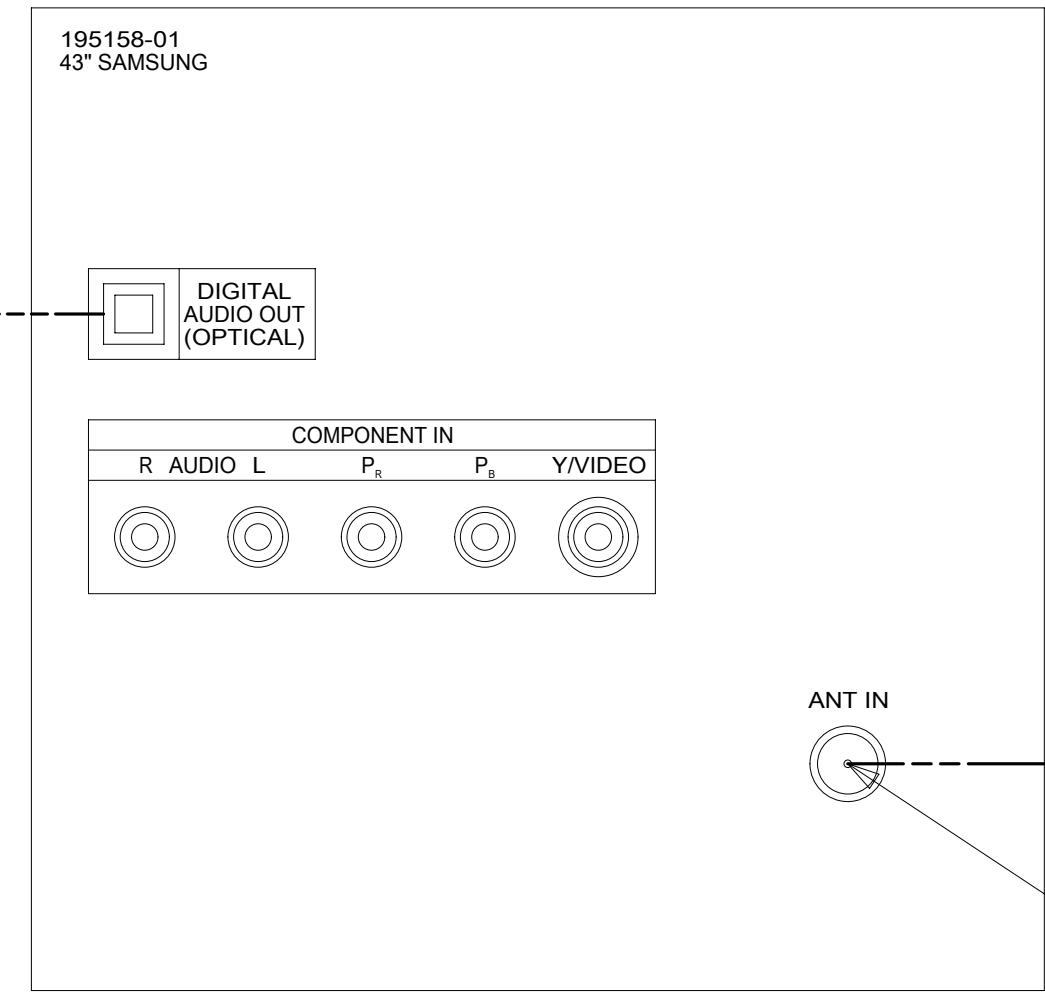
PLUG
194896-01-000

SOUNDBAR
000005776 / 312404-01-000
FASTENER-DUAL LOCK
085744-01-000 (120 MM)
085744-02-000 (120 MM)

MATRIX-HDMI,
IR REC IN-WALL
180504-08-000



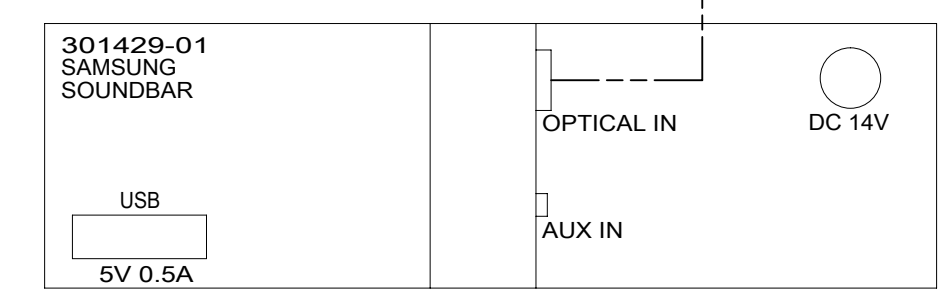
CABLE-HDMI
165308-03-000
TO HDMI BALUN



CABLE ASM-COAX
(GRN)
FROM WIRE ASM-A/V

CONNECTOR-F.90
176986-01-000

CABLE-OPTICAL AUDIO
187116-01-000



VIEW CB

VIEW CA

1 PLACE SEAL ON TV BEZEL TO SEAL AGAINST MIRROR IN DOOR.

NOTES:

265 CODES/STANDARDS-CSA/CMVSS

1B1 CODES/STANDARDS USA

1B1 265

FOR ELECTRICAL
TORQUE
SPECIFICATIONS
SEE DWG NO.
128783-01-000

FOR ELECTRICAL
CALLOUTS
SEE DWG NO.
121339-01-000

DESCRIPTION:
WIRING INSTL-A/V, COACH

SHEET: 3 OF 3 ITEM/PART NO: 000014512 / 31279601000 REV

1 10-Jan-2017