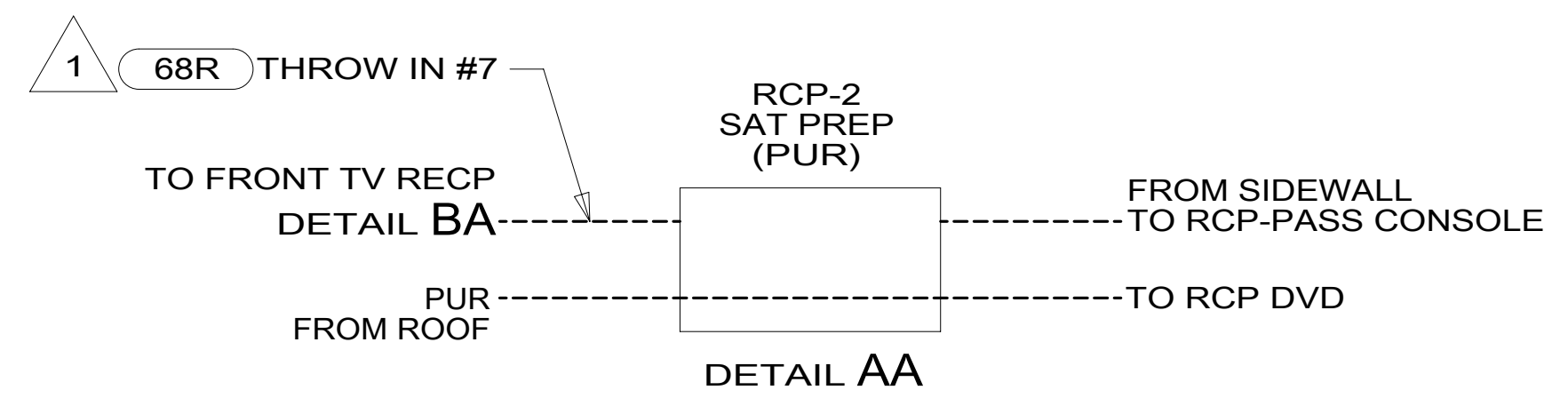


- 196 TV ANT-AUTO,DIRECTIONAL AMPL
- 193 TV ANT-DIGITAL AMPLIFIED
- 783 SATELLITE HD TV SYSTEM AUTOC
- 68R TV - FRONT
- 78C SATELLITE SYSTEM READY
- 1H5 TV, FRONT-WITHOUT
- 265 CODES/STANDARDS-CSA/CMVSS
- 1B1 CODES/STANDARDS USA

WINNEBAGO
COPYRIGHT 2016 WINNEBAGO INDUSTRIES, INC.

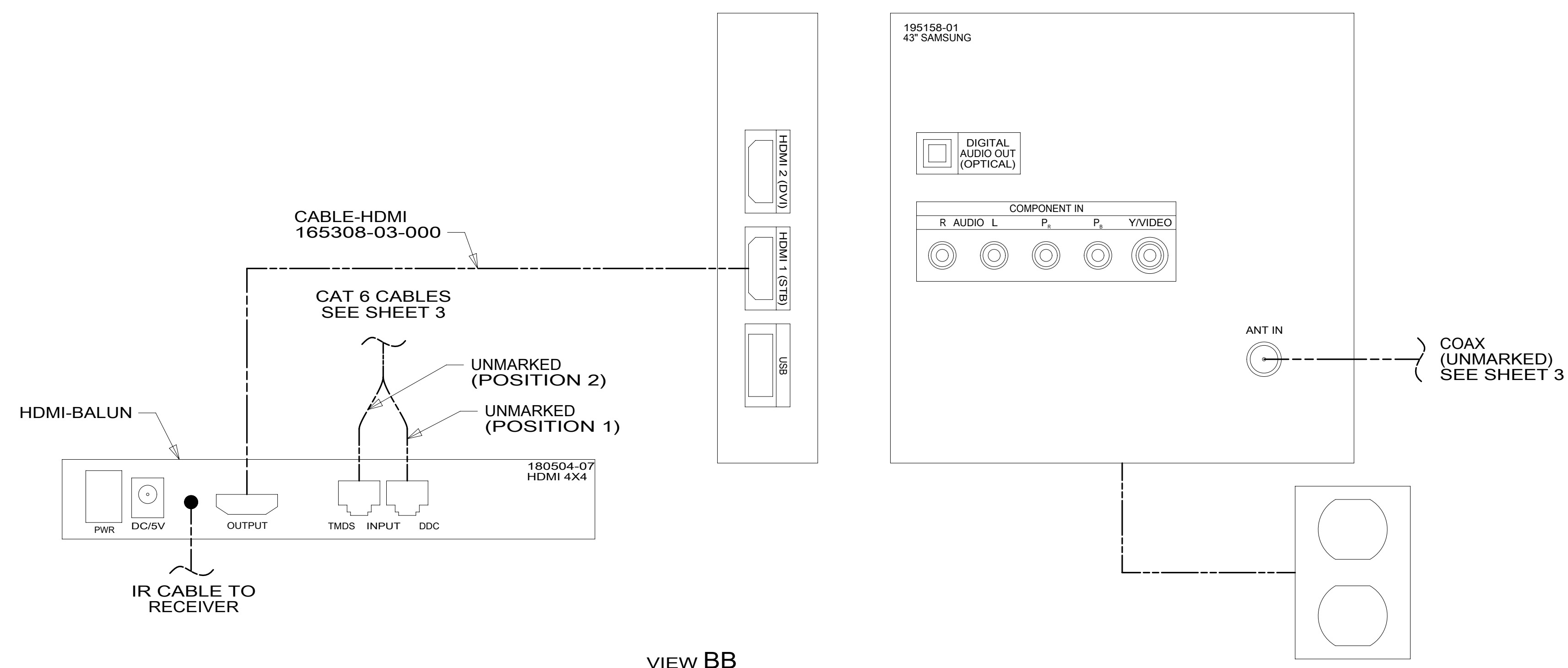
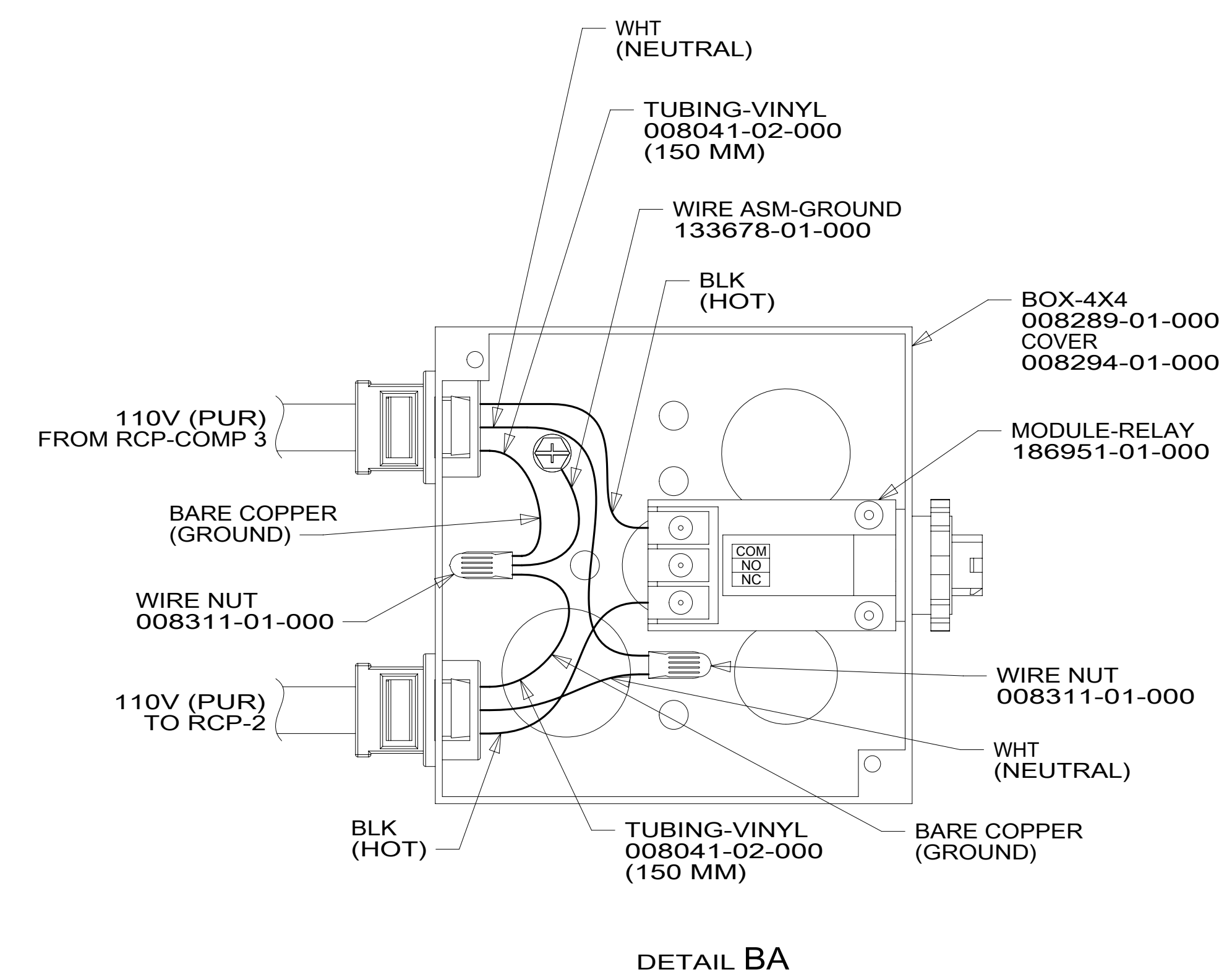
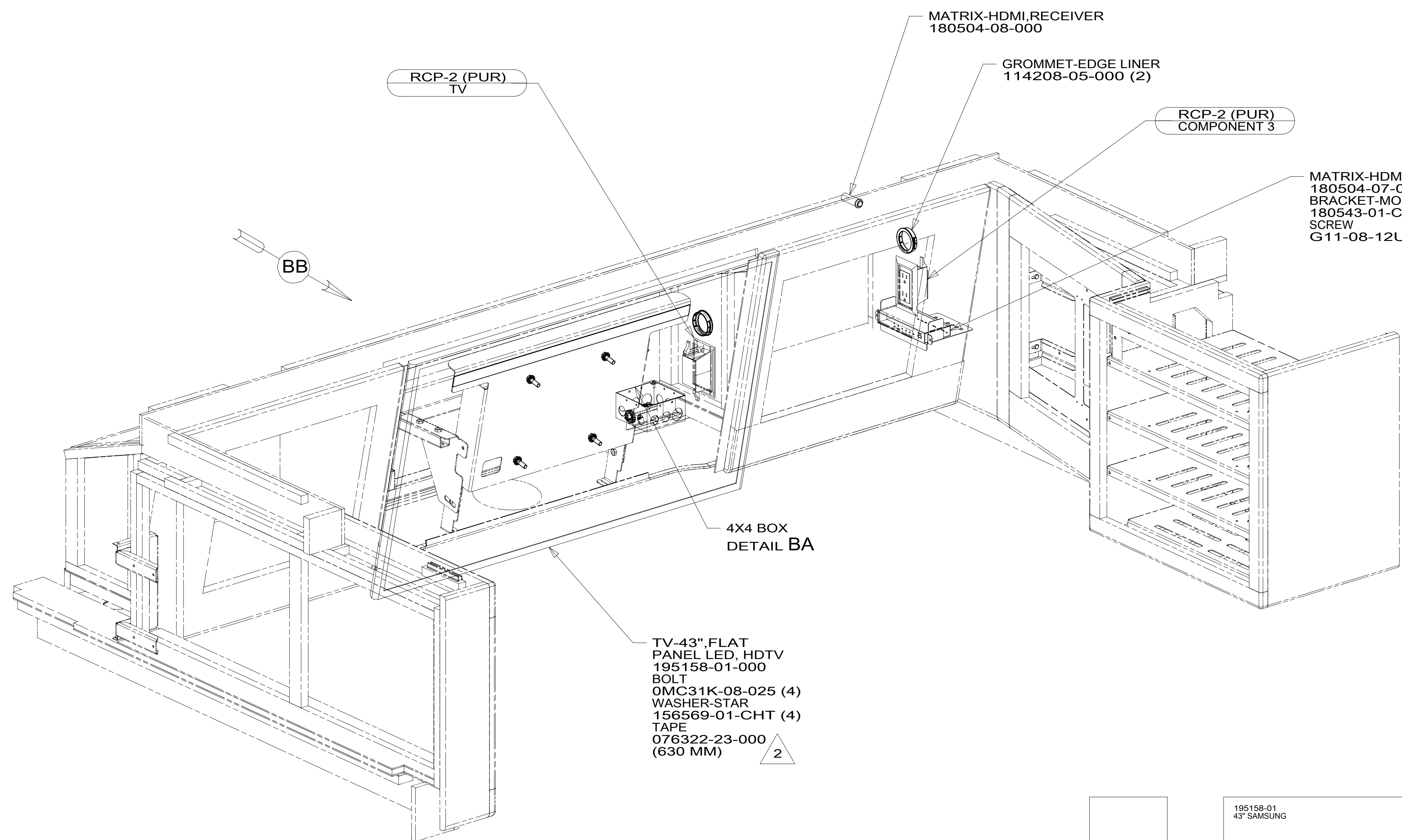
DSNR:	ALL DIMENSIONS ARE IN MILLIMETERS	
DFFR:	MATERIAL:	
UNSPECIFIED TOLERANCES:	WHOLE DIM (X) : 3	
	ONE-PLACE (X.X) : 1.5	
	TWO-PLACE (X.XX) : 0.50	
	ANGLE : 1°	
REFER TO ES0018 FOR FASTENER TIGHTENING GUIDELINES	WEIGHT: (LBS)	FIRST USED: 17 P36M
DESCRIPTION: WIRING INSTL-AV,FRONT		
SHEET: 1 OF 3	ITEM/PART NO: 000013088 / 31161601000	REV
REF:		1 12-Apr-2017

- NOTES:**
- 4 SET BLU-RAY PLAYER TO A MAX VIDEO OUTPUT OF 1080i.
 - 3 STICK I.E. FOR BLU-RAY PLAYER ON FRONT OF BLU-RAY PLAYER AS SHOWN. (90 MM FROM RIGHT SIDE)
 - 2 INTERIOR CONTROL CONNECTS TO SATELLITE DATA CABLE. SEE ROOF ASM FOR ADDITIONAL INFORMATION.
 - 1 SEE LOAD CENTER/ATS FOR ADDITIONAL INFORMATION.



FOR ELECTRICAL TORQUE SPECIFICATIONS SEE DWG NO. 128783-01-000

FOR ELECTRICAL CALLOUTS SEE DWG NO. 121339-01-000



2 CLEAN AND APPLY ADHESIVE PROMOTER 87211-01-000 TO BOTH SURFACES AND BOND WHERE TOP FLANGE OF BRACKET CONTACTS PLASTIC TV BEZEL.

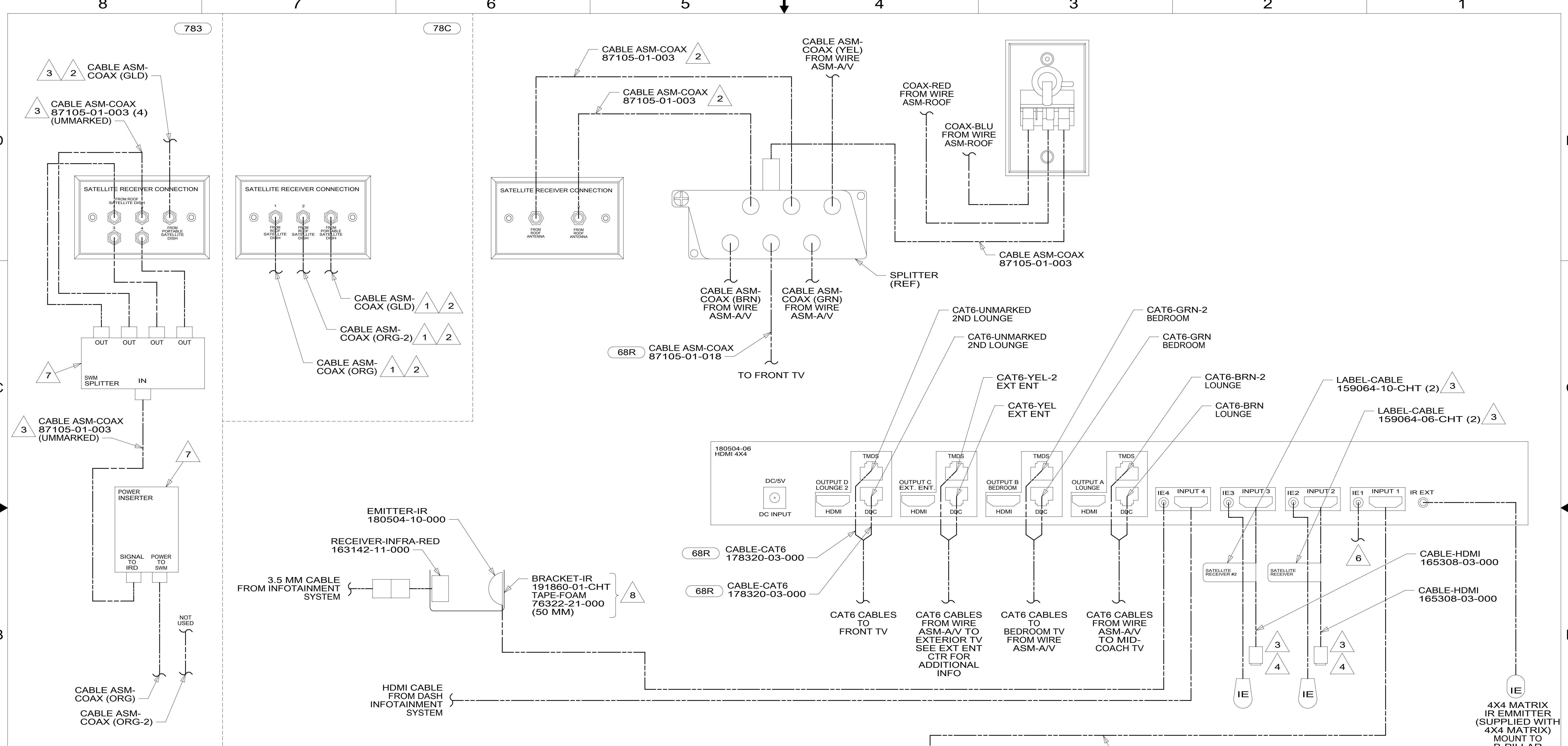
1 SEE LOAD CENTER/ATS FOR ADDITIONAL INFORMATION.

NOTES:

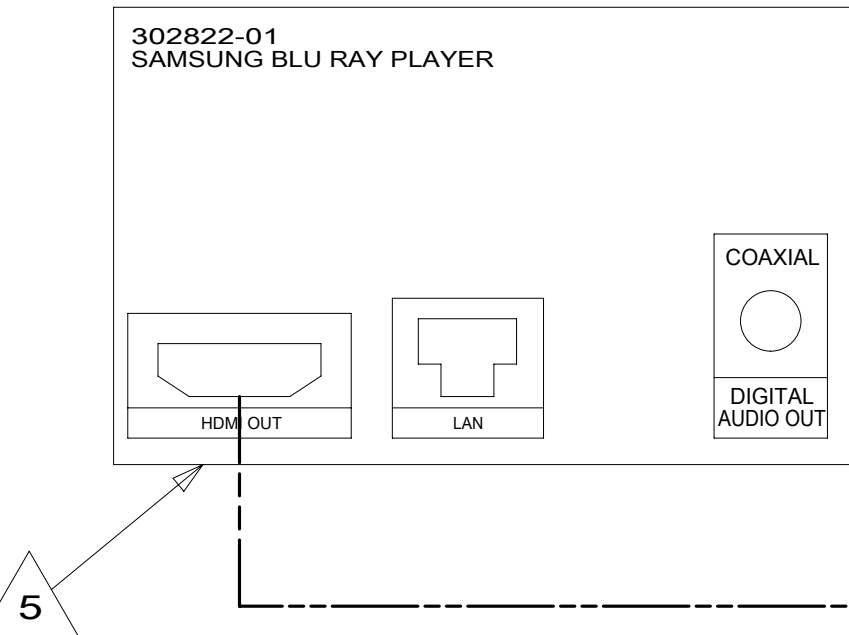
FOR ELECTRICAL TORQUE SPECIFICATIONS SEE DWG NO. 128783-01-000

FOR ELECTRICAL CALLOUTS SEE DWG NO. 121339-01-000

68R	TV - FRONT	
265	CODES/STANDARDS-CSA/CMVSS	
1B1	CODES/STANDARDS USA	
1B1	265	68R
DESCRIPTION: WIRING INSTL-AV,FRONT		
SHEET: 2 OF 3	ITEM/PART NO: 000013088 / 31161601000	REV



- NOTES:**
- 8 PLACE ABOVE 4X4 MATRIX.
 - 7 PARTS ARE SUPPLIED WITH INTERIOR CONTROL 183415-05-000.
 - 6 SEE SHEET 1 FOR I.E. PLACEMENT.
 - 5 SET DVD/BLU-RAY PLAYER FOR MAX VIDEO OUTPUT TO 1080i.
 - 4 COIL CABLE IN SATELLITE PREPARED FOR FUTURE USE.
 - 3 ATTACH LABEL 100 MM FROM EACH END OF CABLE AND 400 MM FROM THE END OF THE IR EMITTER CABLE.
 - 2 CABLE CONNECTS TO REAR SIDE OF PLATE.
 - 1 CABLE ROUTED IN ROOF.



FOR ELECTRICAL TORQUE SPECIFICATIONS SEE DWG NO. 128783-01-000

FOR ELECTRICAL CALLOUTS SEE DWG NO. 121339-01-000

- 68R TV - FRONT
- 783 SATELLITE HD TV SYSTEM AUTOC
- 78C SATELLITE SYSTEM READY
- 265 CODES/STANDARDS-CSA/CMVSS
- 1B1 CODES/STANDARDS USA

DESCRIPTION:		WIRING INSTL-AV,FRONT	
SHEET:	ITEM/PART NO.:	REV	
3 OF 3	000013088 / 31161601000		