

- 9. SEE DRAWING 061607 FOR INSTALLATION OF GROMMETS.
- 8. SECURE DRAINAGE PIPES TO CABINET USING WIRE TIE 108046-02-000, AND SCREW 000G67-10-12U AT INTERVALS OF NOT OF NOT MORE THAN 4 FEET APART.
- 7. SECURE VENT PIPE TO GROMMET WITH CLAMP 000156237 / 326663-02-000.
- 6. VENT PIPE MUST PROJECT 51 MIN AND 64 MAX ABOVE ROOF FOR PROPER FIT AND FUNCTION. ADD S-1 (000156099 / 326607-01-CHT SEAL-VENT PIPE) AROUND PIPE ON ROOF BEFORE VENT CAP IS INSTALLED.
- 5. SEAL AROUND SHOWER WITH SILICONE.
- 4. USE SMOOTH PLUMBERS PUTTY 167459-01-000 TO SEAL STRAINER (0.2 PER STRAINER).
- 3. ALL PIPE AND FITTINGS TO BE ASSEMBLED WITH SOLVENT 004020-01-000 (USA), 004020-02-000 (CAN)
- 2. SLOPE OF TRAP ARM MUST BE 6 PER 305 mm.
- 1. SLOPE OF HORIZONTAL PIPING TO BE MINIMUM OF 3 PER 305 mm.

NOTES:

- 21M WASHER/DRYER PREP
- 21S WASHER & DRYER-PAIR
- 1B1 CODES/STANDARDS USA
- 265 CODES/STANDARDS-CSA/CMVSS

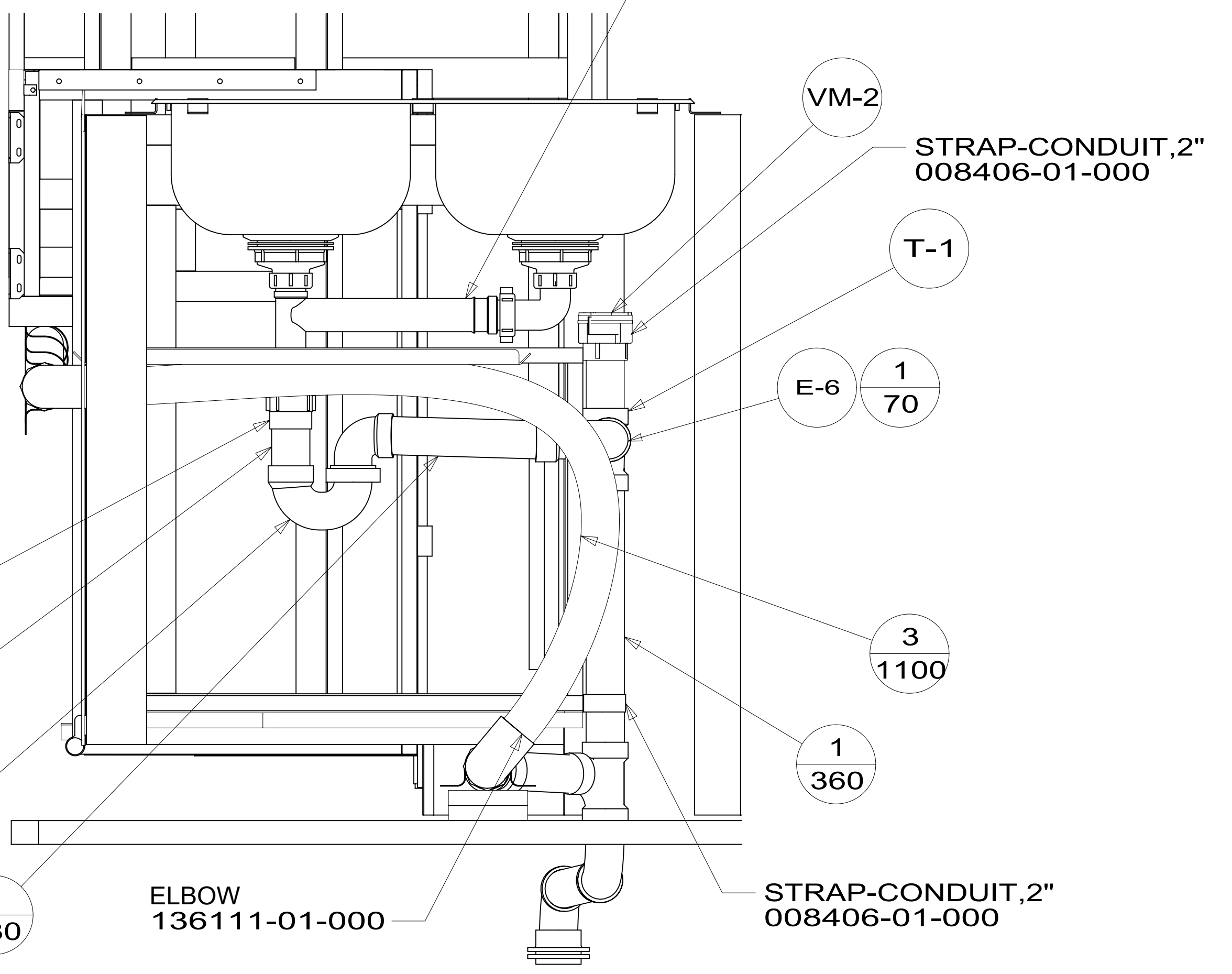
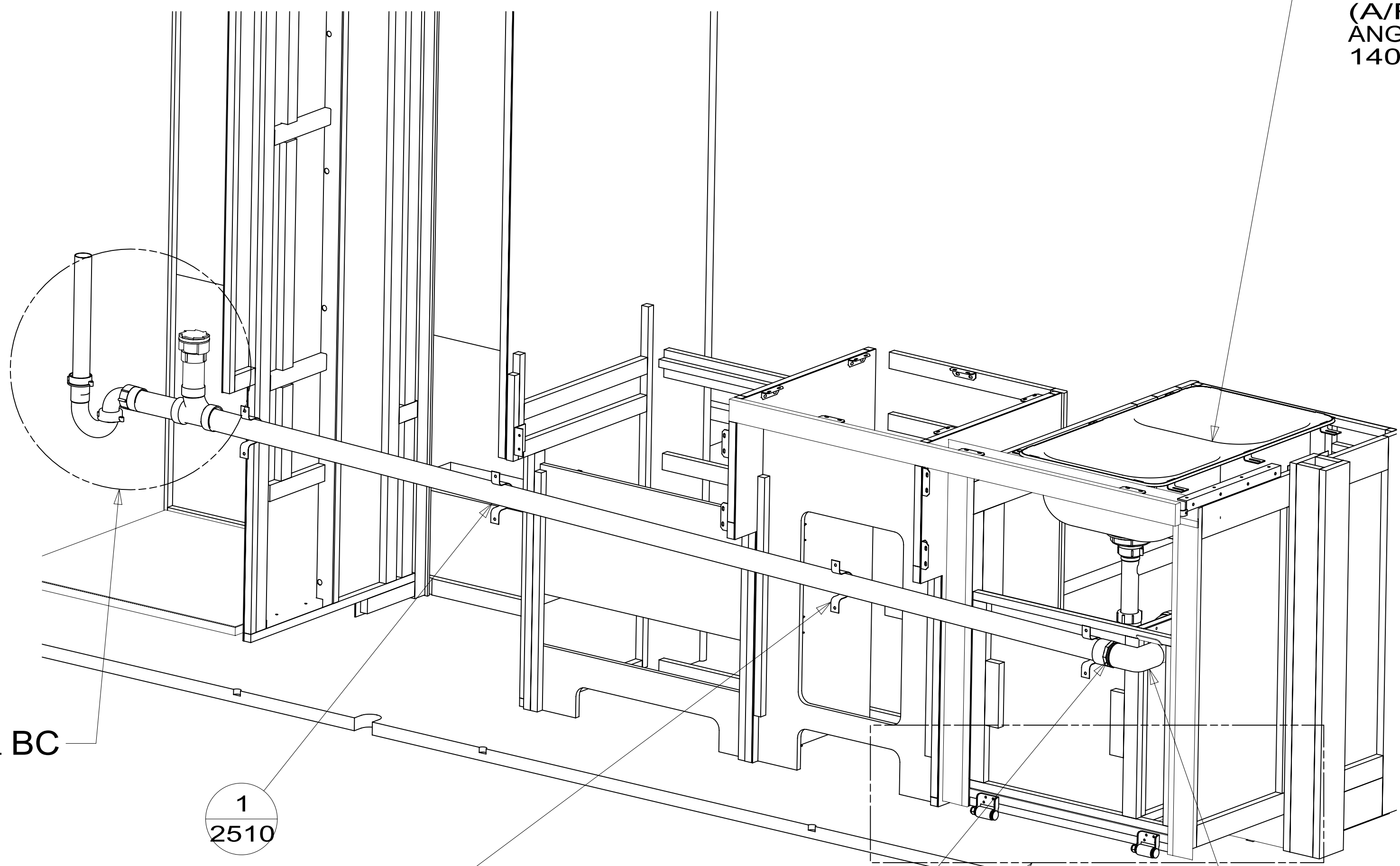


UNSPECIFIED TOLERANCES:		MATERIAL:	
WHOLE DIM (X)	3		
ONE-PLACE (X.X)	1.5		
TWO-PLACE (X.XX)	0.50		
ANGLE	1°		
REFER TO ES0018 FOR FASTENER TIGHTENING GUIDELINES		WEIGHT: (LBS)	FIRST USED: (REF)
			17 L34T
<b>DESCRIPTION:</b>			
<b>DRAINAGE SYSTEM INSTL</b>			
SHEET:	ITEM/PART NO.:	REV	
1 OF 5	000012991 / 31156301000		

X-X  
FOR  
DRAINAGE  
CALLOUTS  
SEE DWG NO.  
000211962 /  
303370-01-000

8 7 6 5 4 3 2 1

SINK-GALLEY, DBL  
 184806-01-CHT  
 STRAINER  
 092303-01-000 (2)  $\triangle$  4  
 SEAL  
 (A/R)  
 ANGLE-W/SLOT  
 140002-01-CHT (10)



DETAIL BC

1  
2510

STRAP-CONDUIT, 2"  
 008406-01-000 (4)

VIEW BA

A-13

DETAIL BD

ELBOW  
 136111-01-000

VIEW BB

1  
360

3  
1100

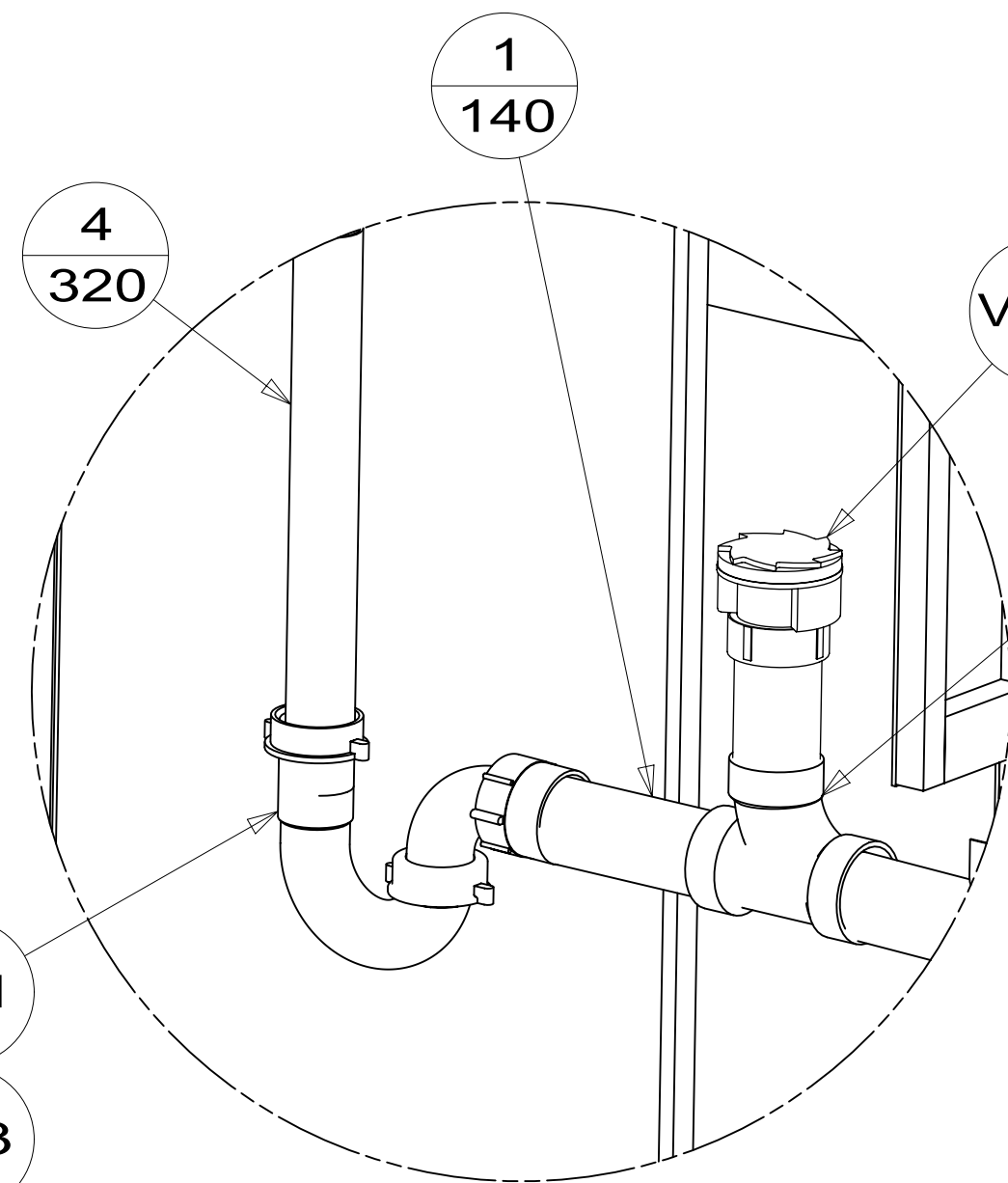
1  
70

STRAP-CONDUIT, 2"  
 008406-01-000

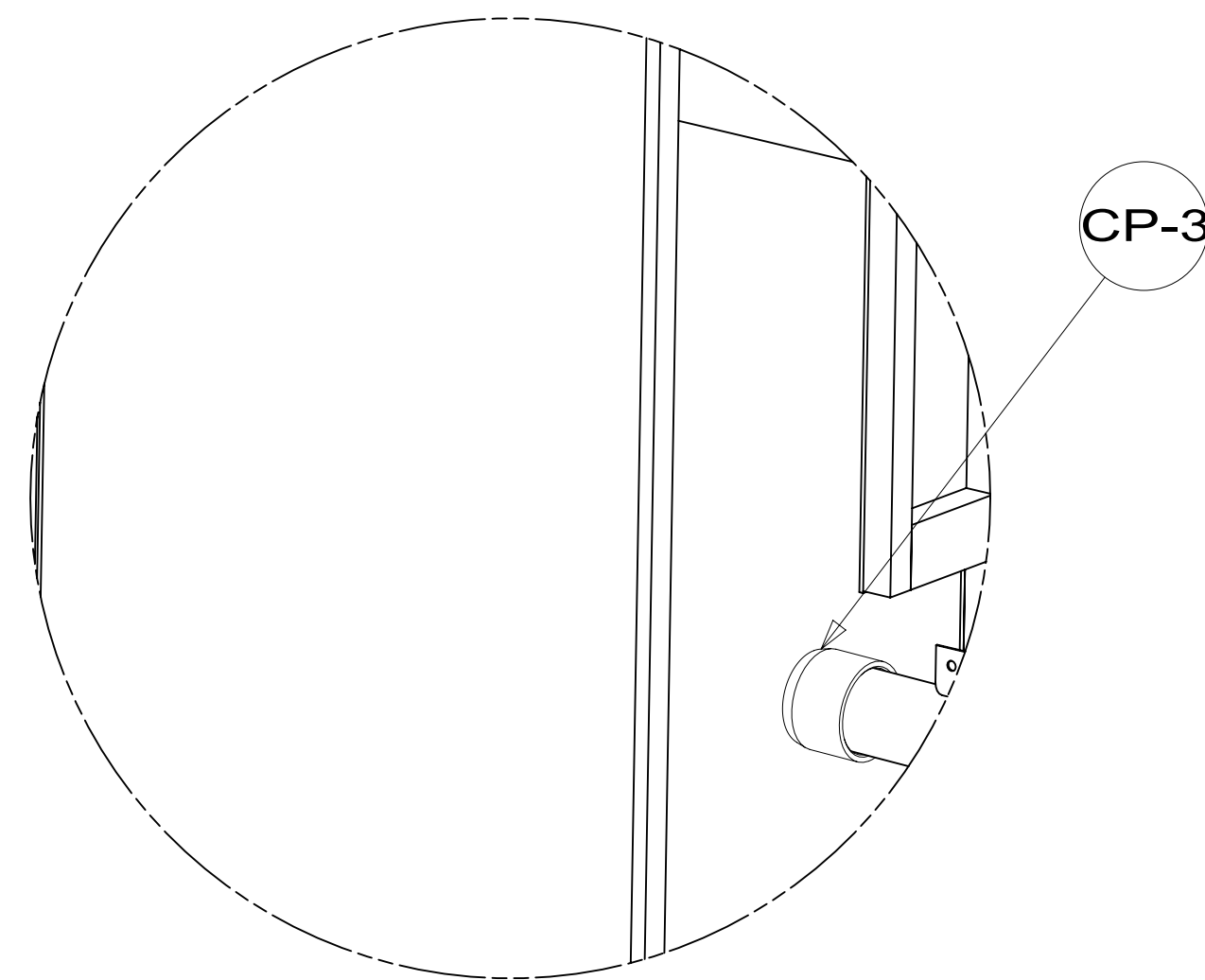
T-1

VM-2

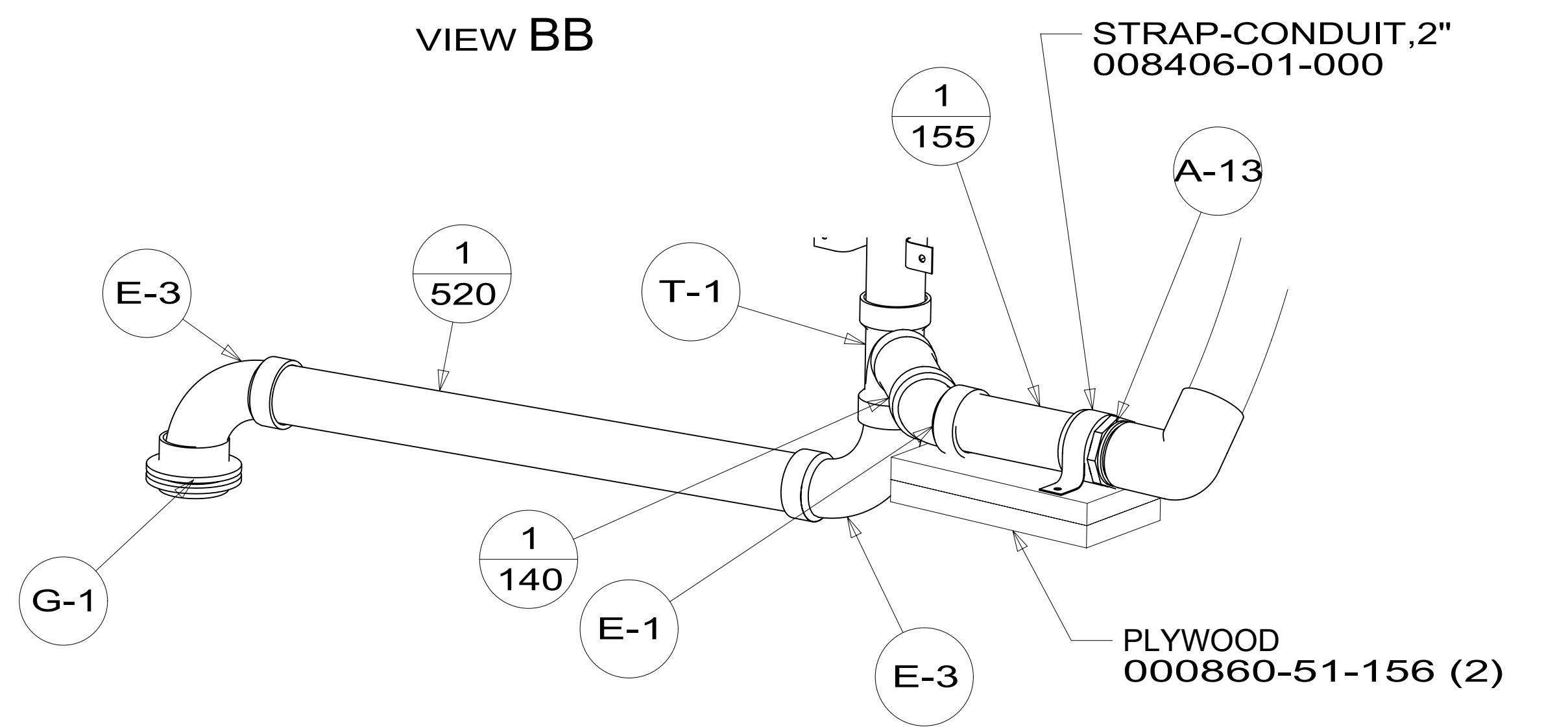
W-3



DETAIL BC  
 (21S)



DETAIL BC  
 (21M)



DETAIL BD  
 (SHOWN W/OUT CABINETS AND FLOOR)

1B1 P-1  
 265 P-3  
 1B1 A-15

4  
320

1  
140

1  
155

1  
520

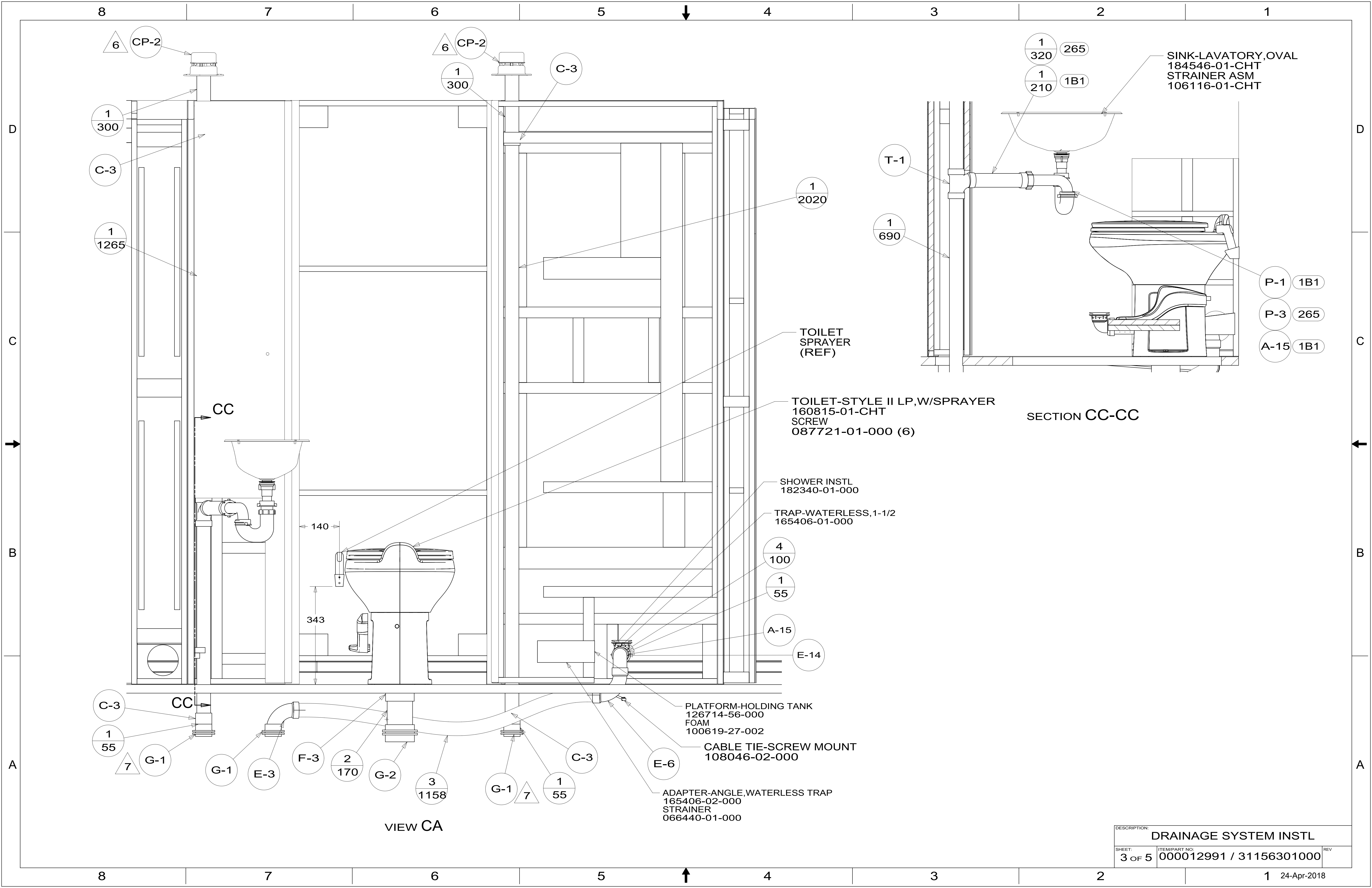
1  
140

STRAP-CONDUIT, 2"  
 008406-01-000

PLYWOOD  
 000860-51-156 (2)

DESCRIPTION: <b>DRAINAGE SYSTEM INSTL</b>		
SHEET: 2 OF 5	ITEM/PART NO: 000012991 / 31156301000	REV
		1 24-Apr-2018

8 7 6 5 4 3 2 1



6 CP-2

6 CP-2

1 320 265  
1 210 1B1

SINK-LAVATORY, OVAL  
184546-01-CHT  
STRAINER ASM  
106116-01-CHT

1 300

1 300

1 2020

1 690

P-1 1B1

P-3 265

A-15 1B1

C-3

TOILET  
SPRAYER  
(REF)

TOILET-STYLE II LP, W/SPRAYER  
160815-01-CHT  
SCREW  
087721-01-000 (6)

SECTION CC-CC

1 1265

SHOWER INSTL  
182340-01-000

TRAP-WATERLESS, 1-1/2  
165406-01-000

CC

140

4 100

1 55

A-15

E-14

343

PLATFORM-HOLDING TANK  
126714-56-000  
FOAM  
100619-27-002

CABLE TIE-SCREW MOUNT  
108046-02-000

C-3

CC

1 55

G-1

E-3

F-3

2 170

G-2

3 1158

G-1

7

1 55

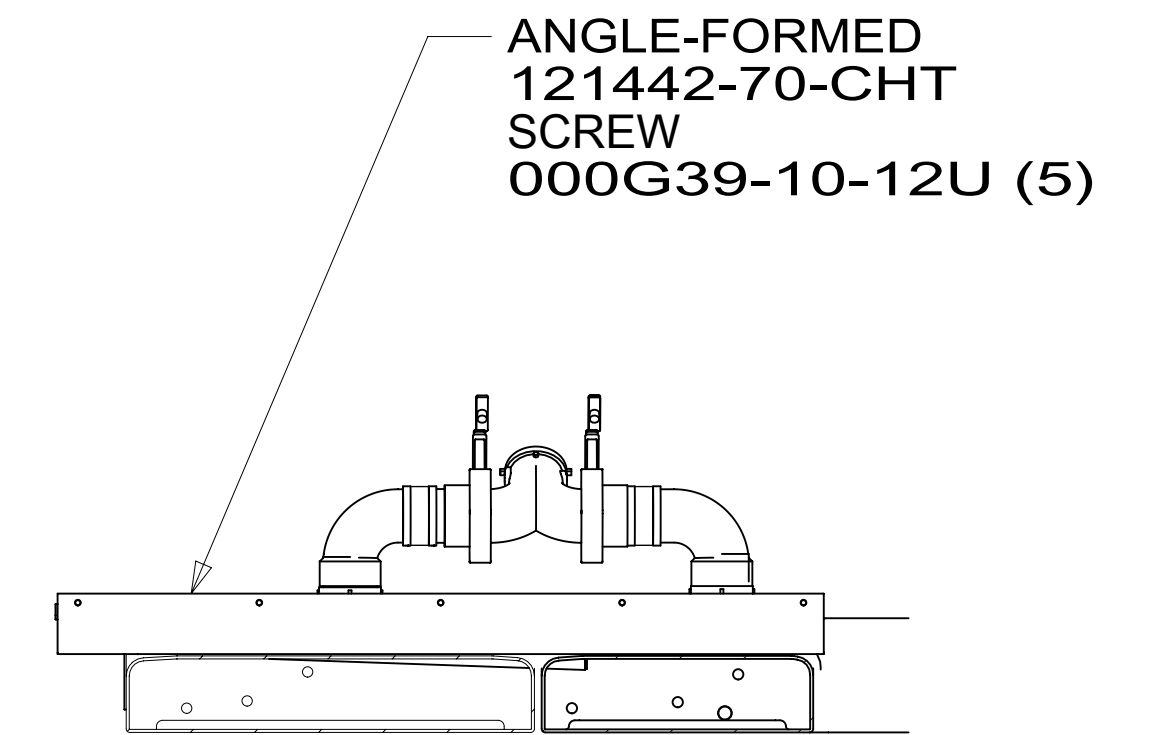
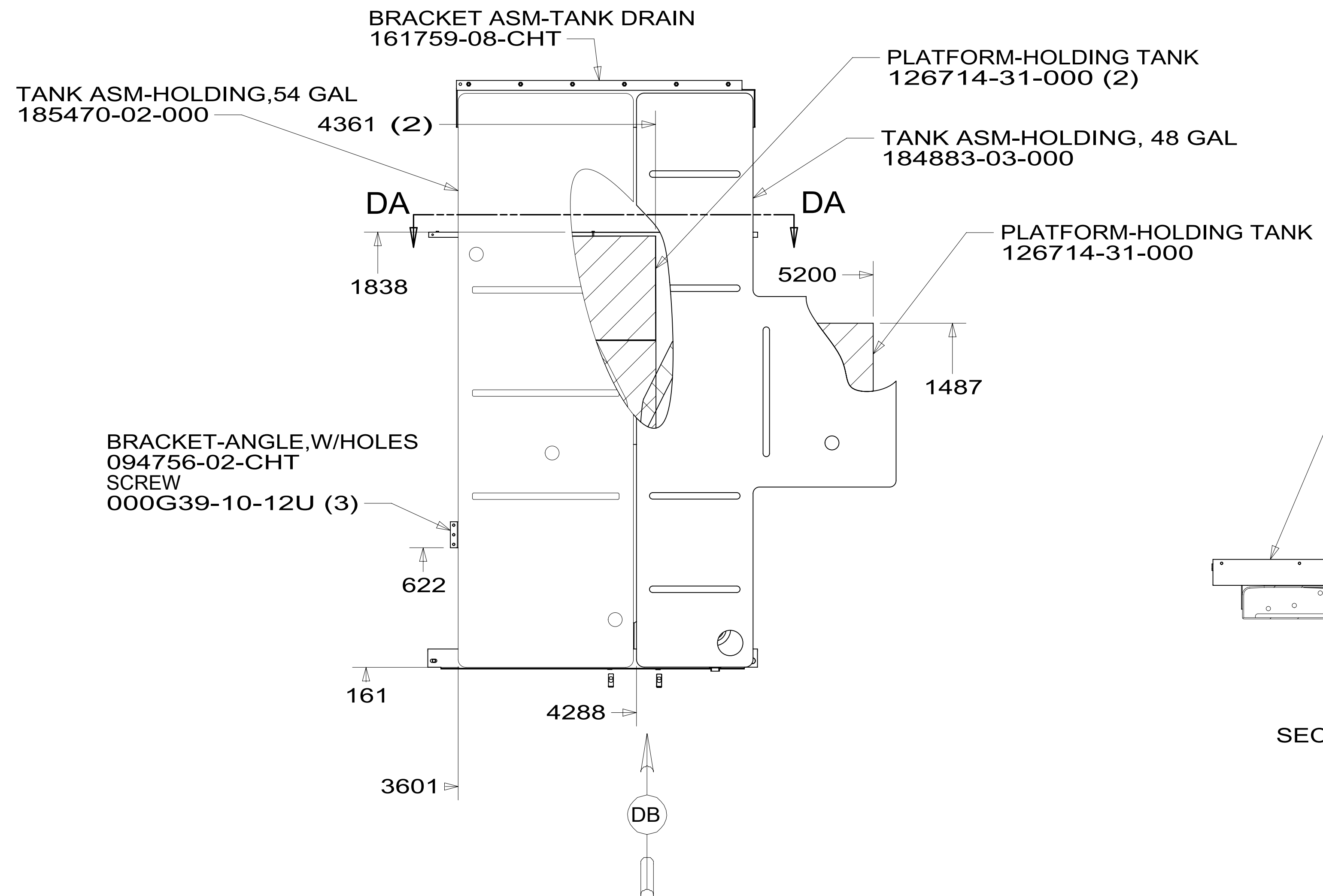
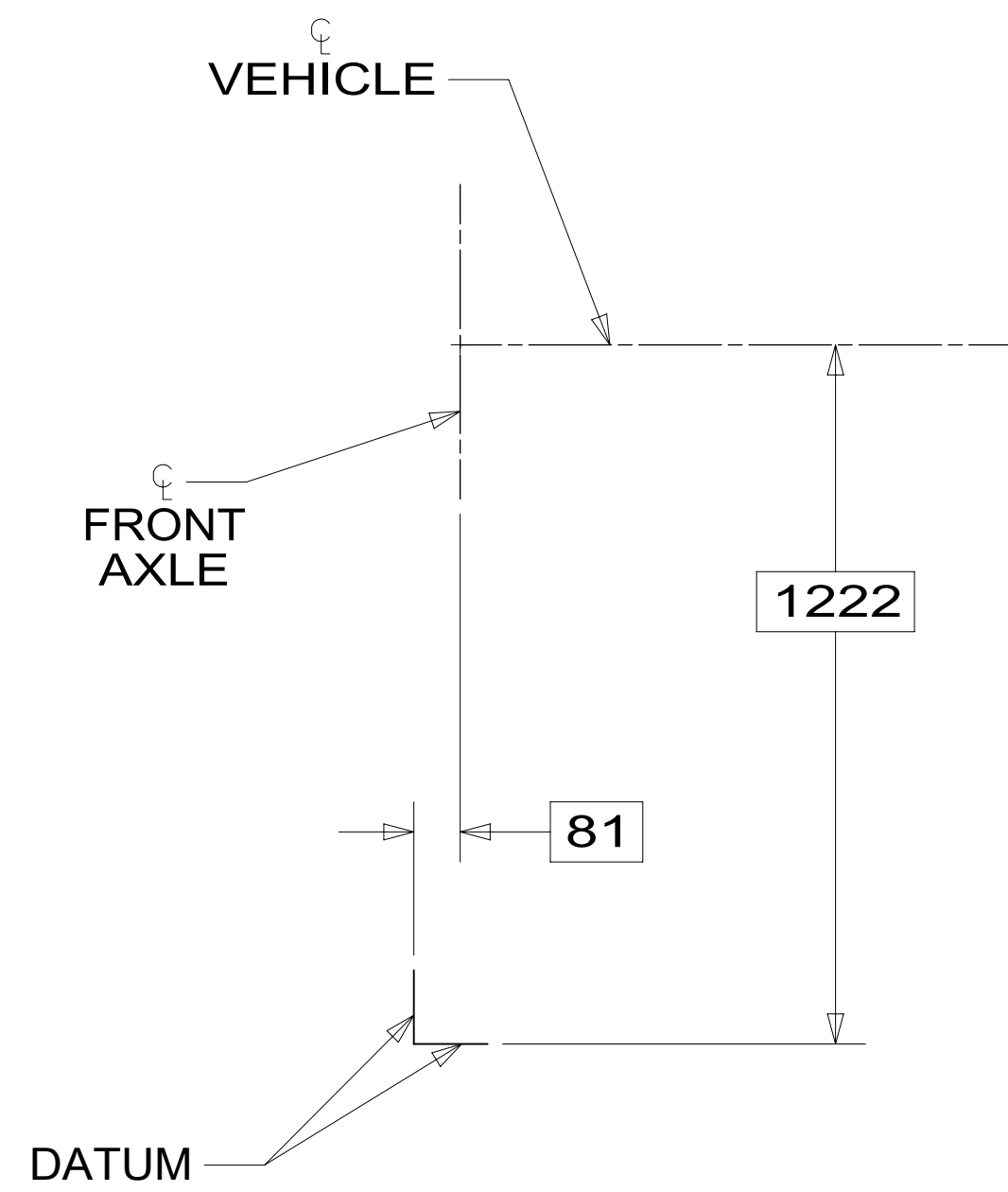
C-3

E-6

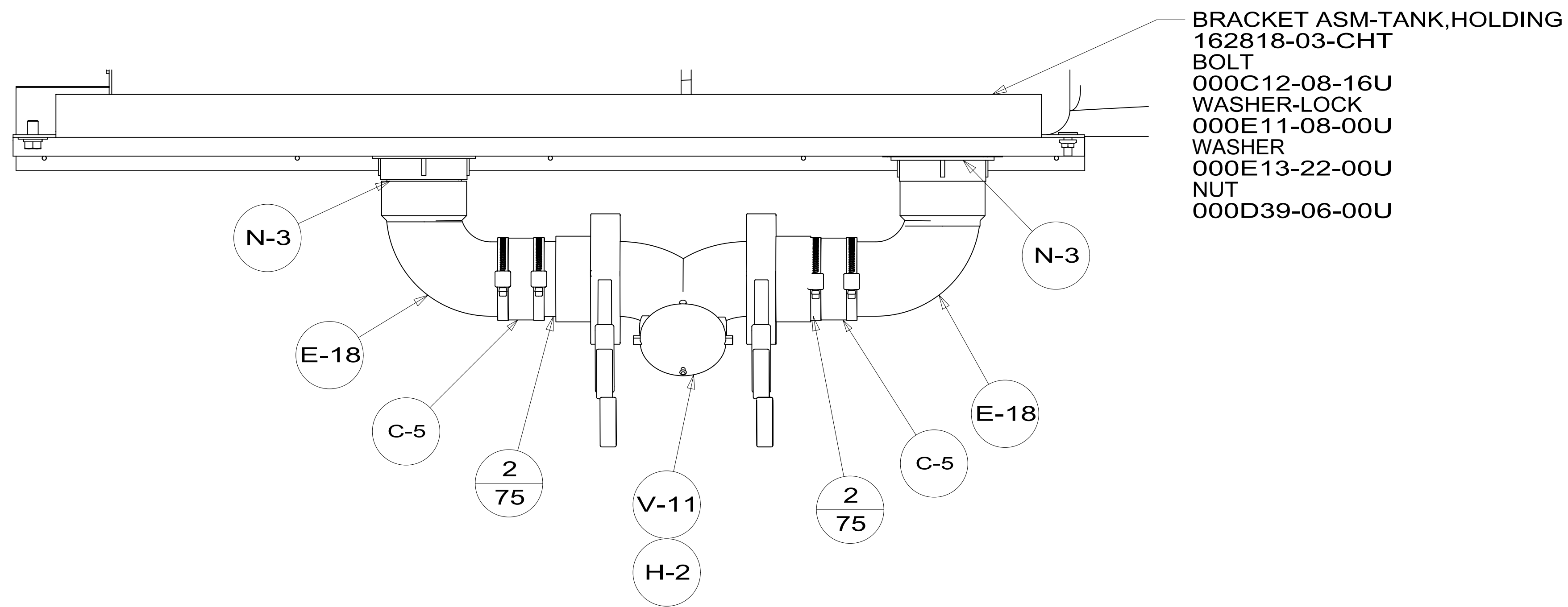
ADAPTER-ANGLE, WATERLESS TRAP  
165406-02-000  
STRAINER  
066440-01-000

VIEW CA

DESCRIPTION:		
DRAINAGE SYSTEM INSTL		
SHEET:	ITEM/PART NO:	REV
3 OF 5	000012991 / 31156301000	

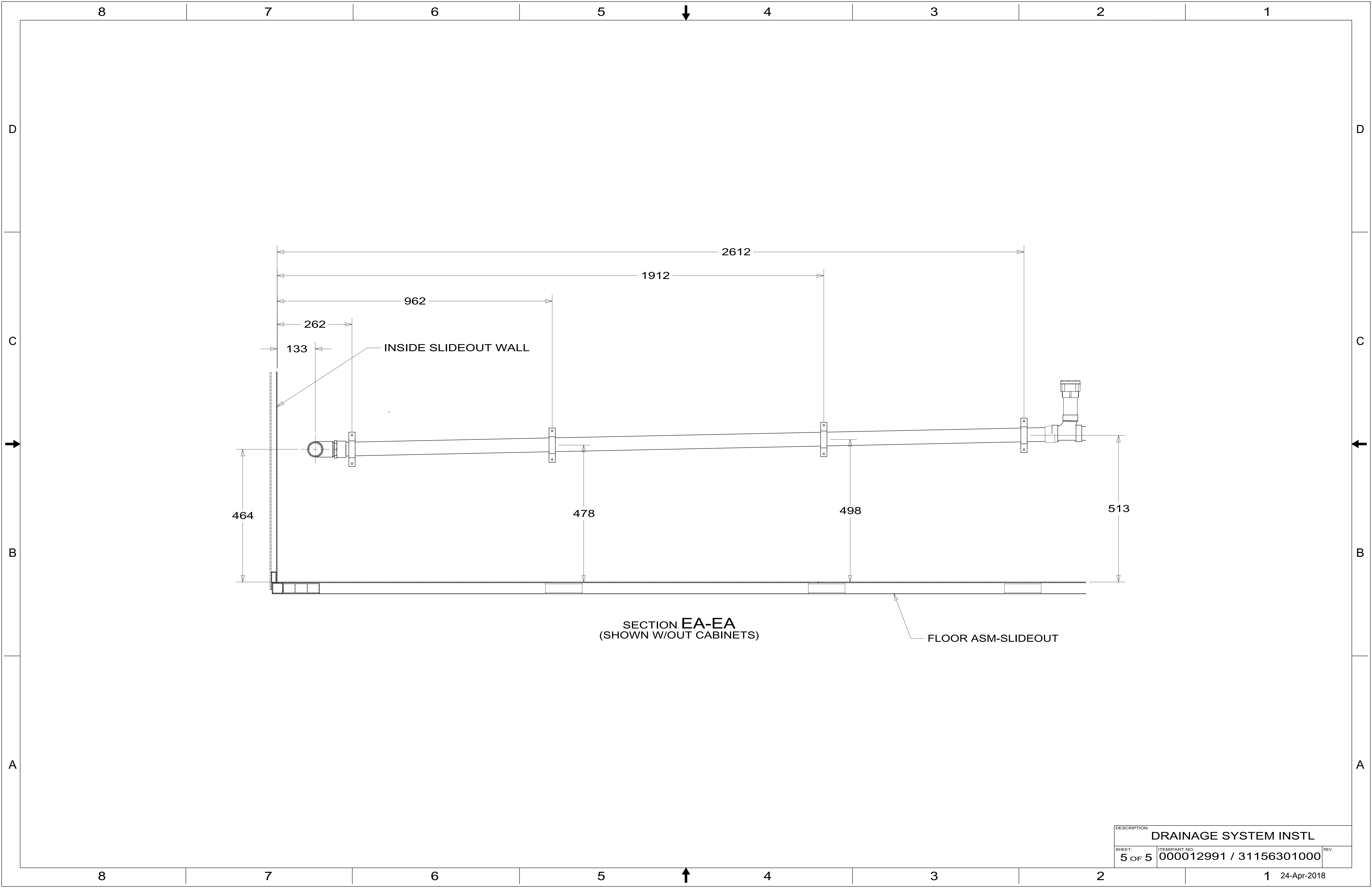


TOP VIEW SHOWING ONLY DRAINS AND TANKS



VIEW DB

DESCRIPTION: DRAINAGE SYSTEM INSTL		
SHEET: 4 OF 5	ITEM/PART NO: 000012991 / 31156301000	REV



DESCRIPTION:		
DRAINAGE SYSTEM INSTL		
SHEET:	ITEM/PART NO.:	REV
5 OF 5	000012991 / 31156301000	