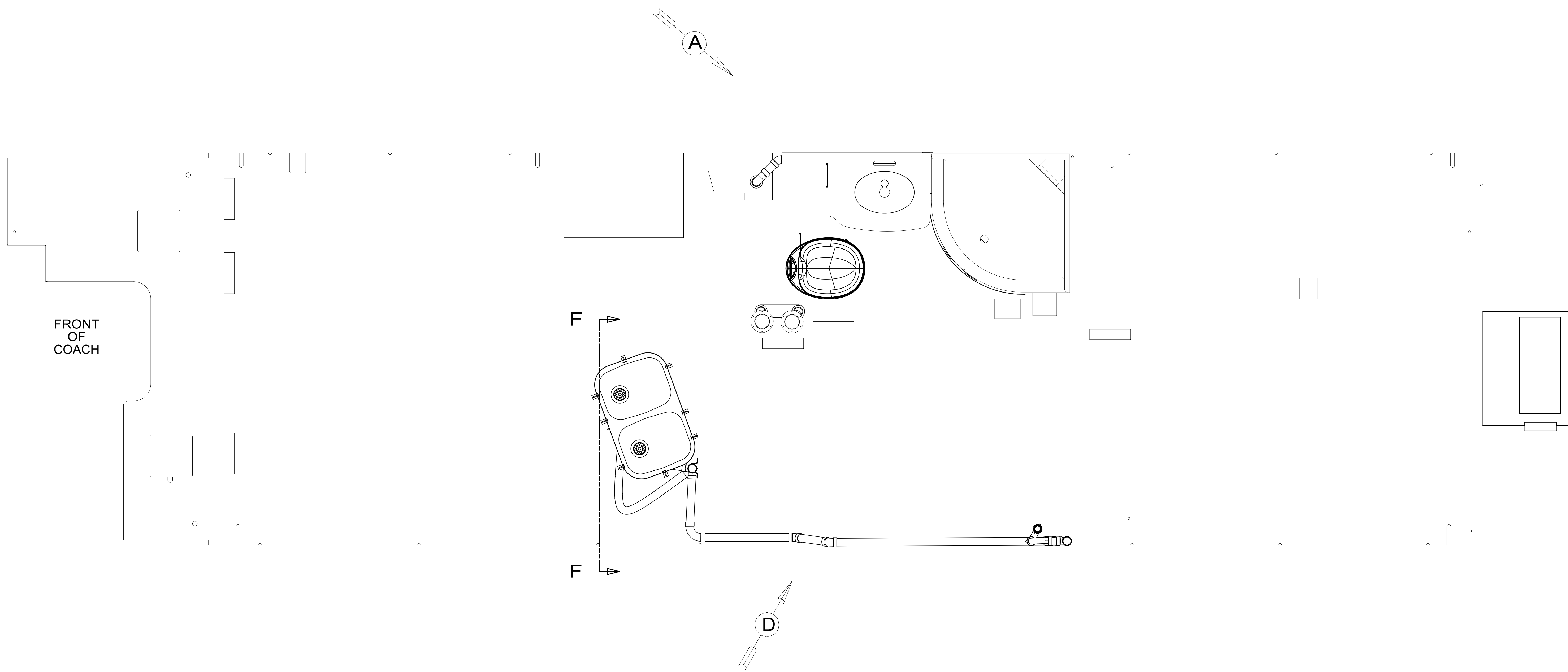
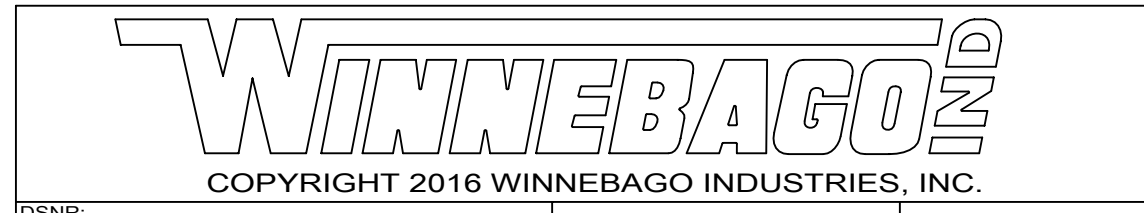


REV	ZONE	REVISION RECORD	DATE	DFTR-ORIG
A	---	INITIAL RELEASE	02-09-16	0700



- 11. GLUE FITTING AFTER CABINET IS INSTALLED.
- 10. APPLY PRIMER 126427-02-000 AND CEMENT 126427-01-000 BETWEEN ELBOW AND FLEX PIPE.
- 9. SEE DRAWING 061607 FOR INSTALLATION OF GROMMETS.
- 8. SECURE DRAINAGE PIPES TO CABINET USING WIRE TIE 108046-02-000, AND SCREW 000G67-10-12U AT INTERVALS OF NOT MORE THAN 4 FEET APART.
- 7. SECURE VENT PIPE TO TANK WITH CLAMP 062401-02-000.
- 6. VENT PIPE MUST PROJECT 51 MIN AND 64 MAX ABOVE ROOF FOR PROPER FIT AND FUNCTION. ADD S-1 (116666-01-CHT SEAL-VENT PIPE) AROUND PIPE ON ROOF BEFORE VENT CAP IS INSTALLED.
- 5. SEAL AROUND SHOWER WITH SILICONE.
- 4. USE SMOOTH PLUMBERS PUTTY 167459-01-000 TO SEAL STRAINER (0.2 PER STRAINER).
- 3. ALL PIPE AND FITTINGS TO BE ASSEMBLED WITH SOLVENT 004020-01-000 (USA), 004020-02-000 (CAN)
- 2. SLOPE OF TRAP ARM MUST BE 6 PER 305 mm.
- 1. SLOPE OF HORIZONTAL PIPING TO BE MINIMUM OF 3 PER 305 mm.

- 21S WASHER & DRYER-PAIR
- 21M WASHER/DRYER PREP
- 1B1 CODES/STANDARDS USA
- 265 CODES/STANDARDS-CSA/CMVSS

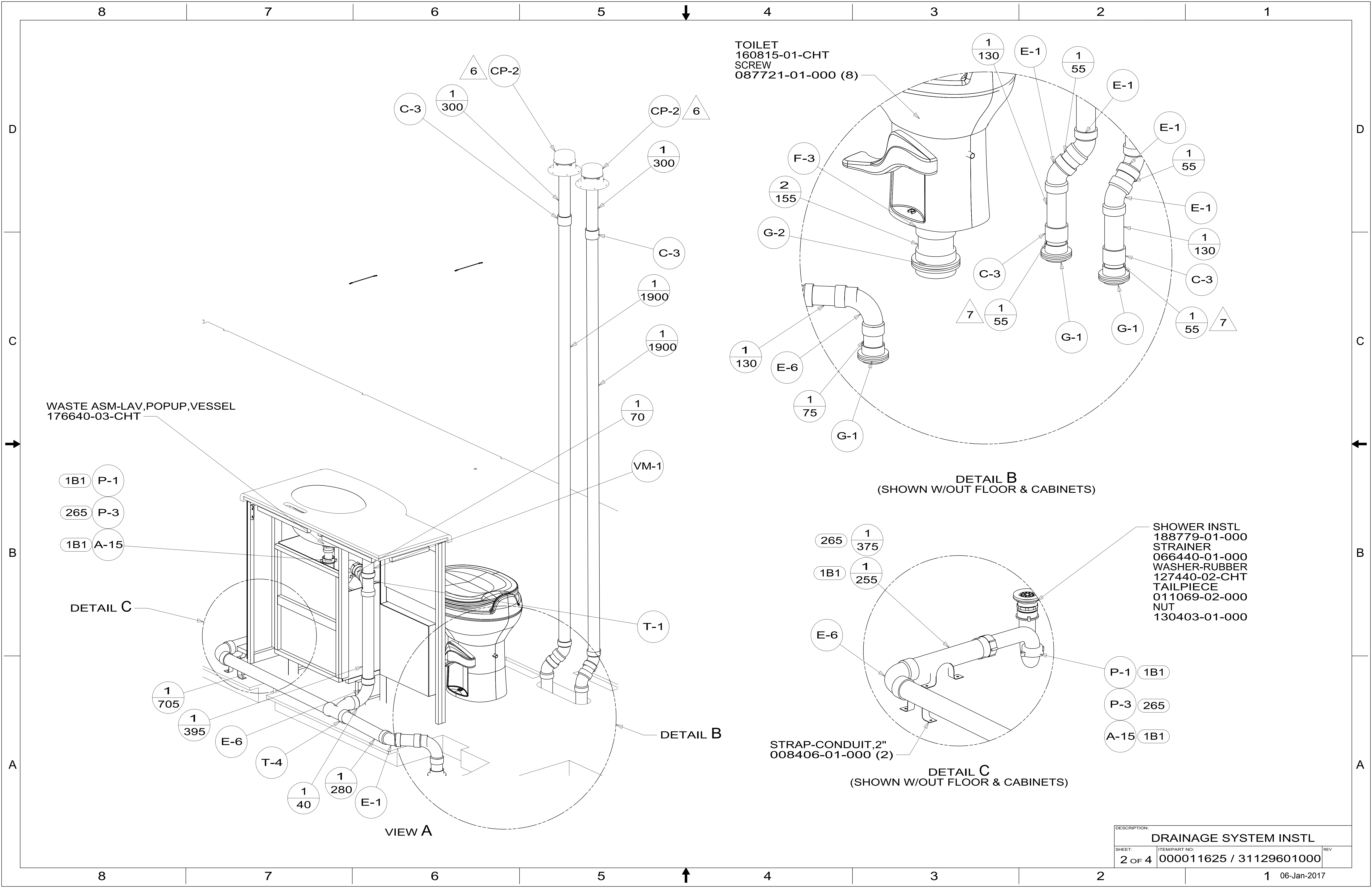


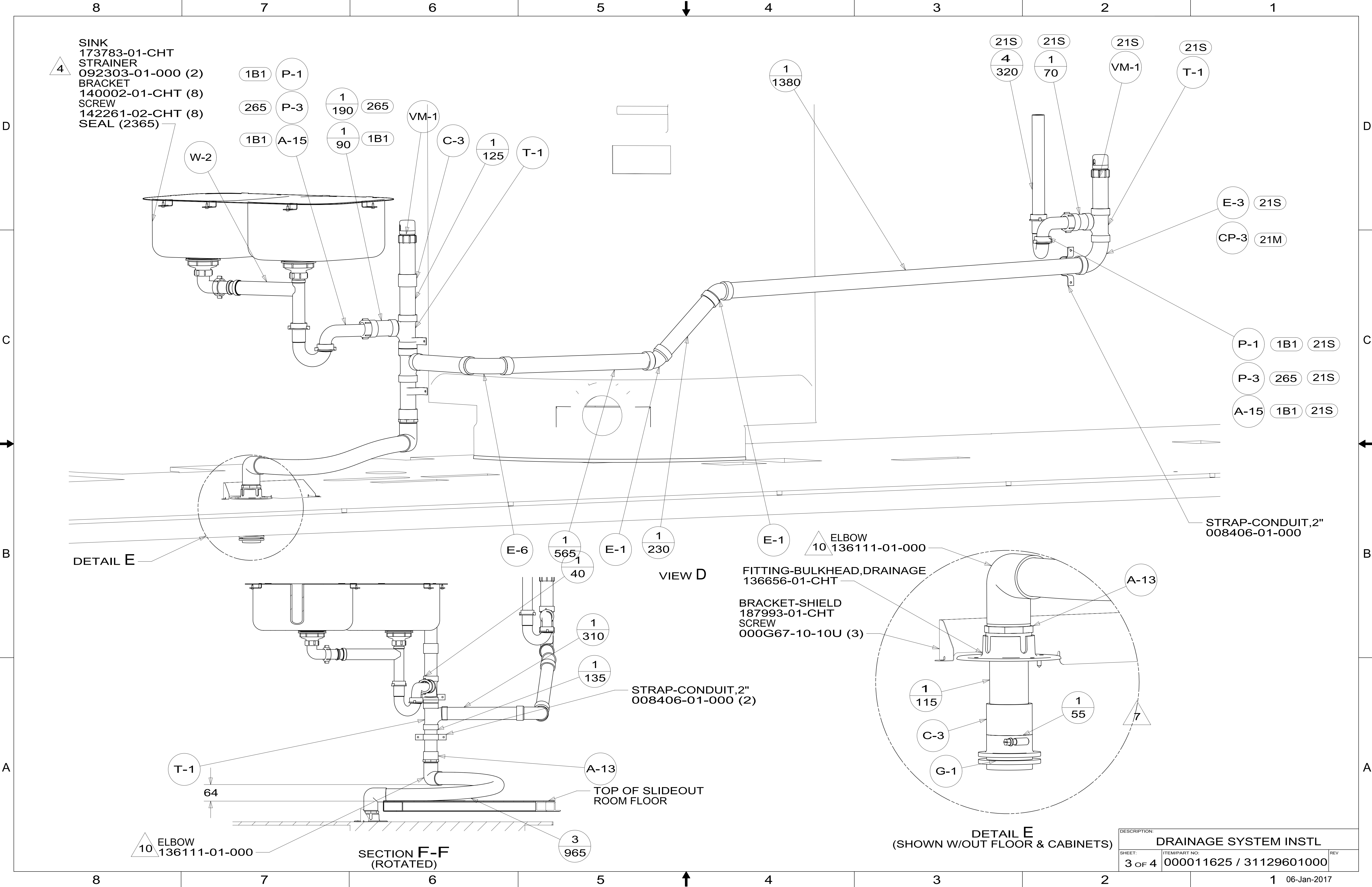
UNSPECIFIED TOLERANCES:		MATERIAL:	
WHOLE DIM (X)	3		
ONE-PLACE (X.X)	1.5		
TWO-PLACE (X.XX)	0.50		
ANGLE	1°	WEIGHT: (LBS) FIRST USED: (REF)	
REFER TO ES0018 FOR FASTENER TIGHTENING GUIDELINES			

X-X
FOR
DRAINAGE
CALLOUTS
SEE DWG NO.
116229-01-000

DRAINAGE SYSTEM INSTL		
SHEET:	ITEM/PART NO.:	REV
1 OF 4	000011625 / 31129601000	
REF:		1 06-Jan-2017

NOTES:





- SINK
173783-01-CHT
- STRAINER
092303-01-000 (2)
- BRACKET
140002-01-CHT (8)
- SCREW
142261-02-CHT (8)
- SEAL (2365)

- 1B1 P-1
- 265 P-3
- 1 190
- 265
- 1B1 A-15
- 1 90
- 1B1
- VM-1
- C-3
- 1 125
- T-1

- 1 1380
- 21S 4 320
- 21S 1 70
- 21S VM-1
- 21S T-1

- E-3 21S
- CP-3 21M

- P-1 1B1 21S
- P-3 265 21S
- A-15 1B1 21S

STRAP-CONDUIT, 2"
008406-01-000

ELBOW
10 136111-01-000

FITTING-BULKHEAD, DRAINAGE
136656-01-CHT

BRACKET-SHIELD
187993-01-CHT
SCREW
000G67-10-10U (3)

STRAP-CONDUIT, 2"
008406-01-000 (2)

- 1 115
- C-3
- G-1
- 1 55
- 7
- A-13

DETAIL E
(SHOWN W/OUT FLOOR & CABINETS)

T-1

64

TOP OF SLIDEOUT
ROOM FLOOR

3 965

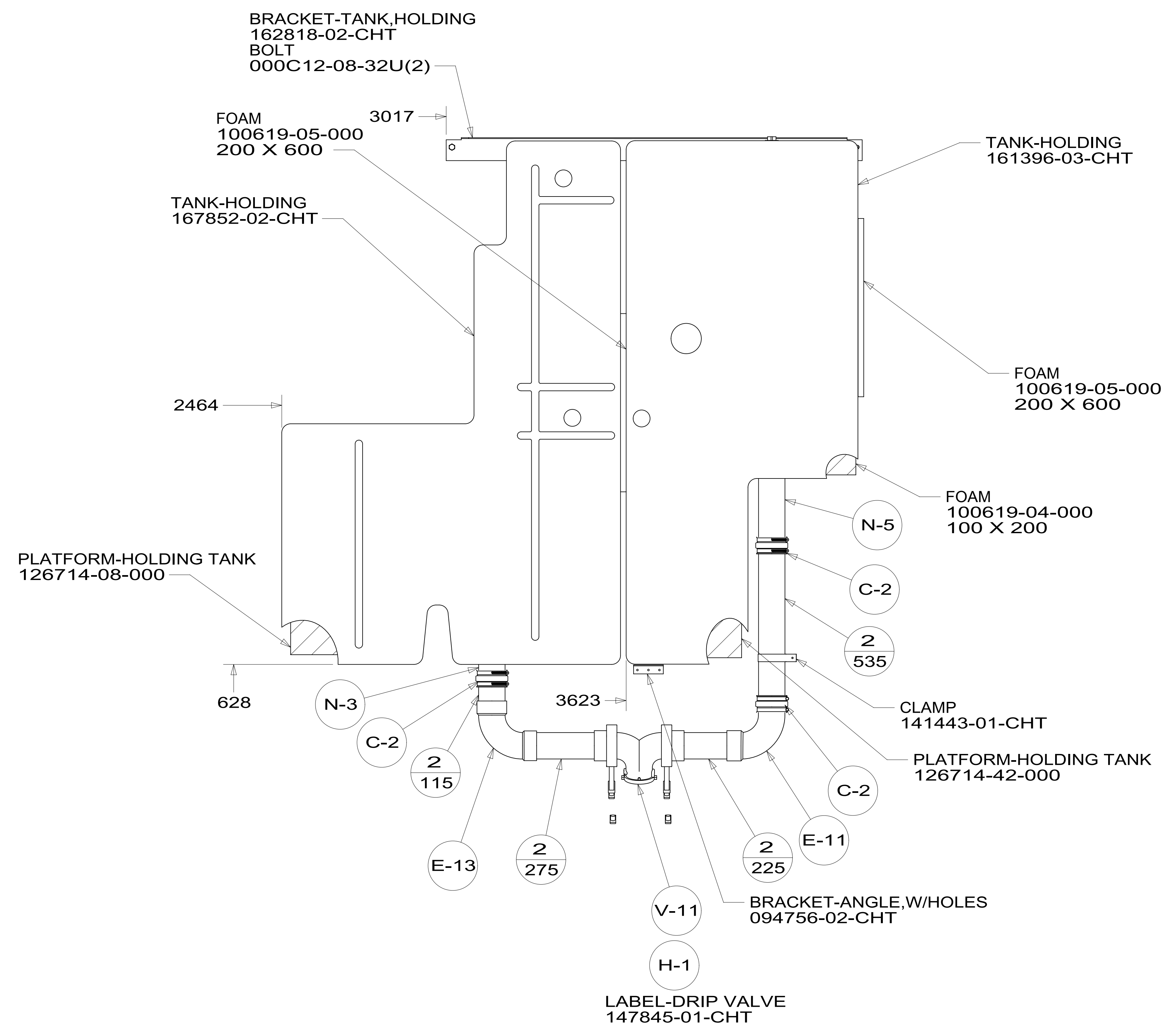
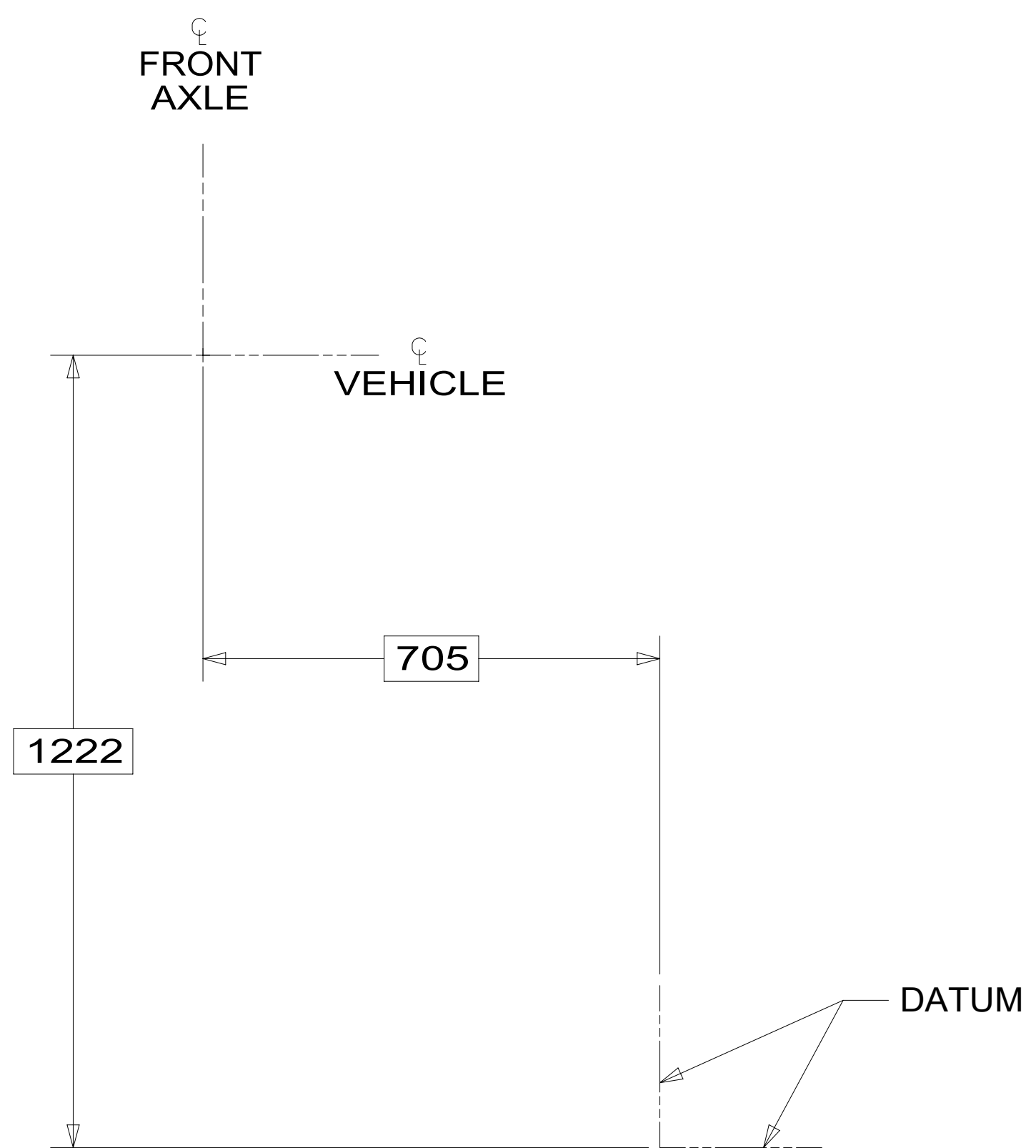
SECTION F-F
(ROTATED)

DESCRIPTION:		DRAINAGE SYSTEM INSTL	
SHEET:	ITEM/PART NO.:	REV	
3 OF 4	000011625 / 31129601000		

8 7 6 5 4 3 2 1

D
C
B
A

D
C
B
A



TOP VIEW
(SHOWING ONLY TANKS & DRAINS)

DESCRIPTION: DRAINAGE SYSTEM INSTL		
SHEET: 4 OF 4	ITEM/PART NO: 000011625 / 31129601000	REV
		1 06-Jan-2017

8 7 6 5 4 3 2 1