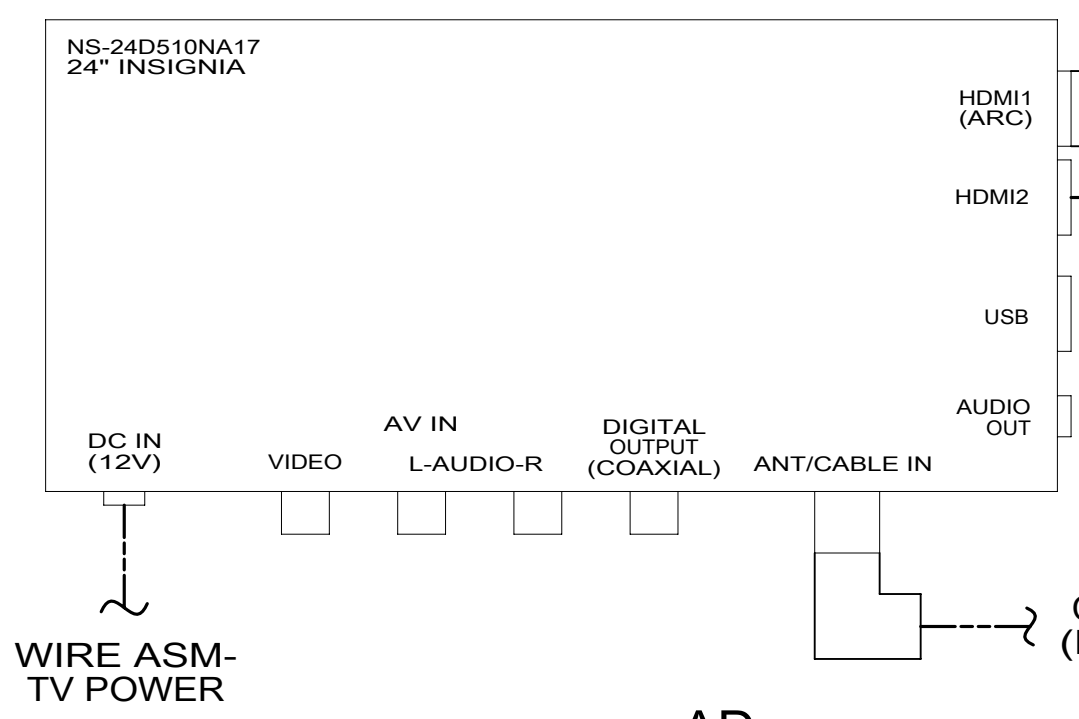


ANGLE-FORMED, W/HOLES  
000033039 / 317528-01-CHT  
SCREW  
000G42-04-16U

68Y



DETAIL AD

TV-24" FLAT  
PANEL DLED,HDTV  
000031269 / 316937-01-000  
WIRE ASM-TV POWER  
191991-01-000  
ADAPTOR-COAX 90°  
176986-01-000  
SCREW  
OMG02B-04-012 (4)  
WASHER  
OME02U-04-071 (4)  
BRACKET-TV SWING MOUNT  
179241-01-CHT  
BRKT ASM-MNTING,TV,24INSIGNIA  
000201565 / 302657-01-CHT  
NUT  
D28-10-00U (4)  
WASHER  
E13-10-00U (4)  
TIE-WIRE,MOUNT  
155366-01-000  
TIE-WIRE  
008343-03-000

68Y

DETAIL AD

CABLE-HDMI (FROM DVD)

CONNECTOR-HDMI,90  
179395-03-000

HDMI (FROM WALLPLATE)

LIGHT-TAPE,LED  
190025-26-CHT  
CHANNEL-LIGHT, TAPE  
190097-01-CHT

AE

GROMMET-EDGE LINER  
114208-01-000

PLATE-WALL, POWER SUPPLY  
179004-02-CHT  
DETAIL BB

RECEPTACLE-12V  
132958-01-000  
DETAIL AB

PLATE-WALL,KEYSTONE  
175530-04-CHT

SENSOR-ROOM TEMPERATURE  
192038-35-CHT  
PLATE-TEMP SENSOR  
192254-01-CHT  
SCREW  
G11-08-08U (2)

TO WIRE ASM-ROOF  
WIRE ASM-CEILING

SPLITTER  
086756-01-000  
DETAIL AA

LAMP ASM-PORCH  
184120-01-CHT  
SCREW  
G39-06-10U (2)  
CONNECTOR  
058028-01-000 (2)

TO MAKEUP LIGHTS

SPEAKER  
171547-01-CHT (2)  
SCREW  
G39-10-12U (8)

PANEL ASM-SWITCH,4POS,BATH  
000024487 / 315011-01-CHT

PORT-SOLAR, SINGLE  
191558-01-000  
SCREW  
G39-10-16U (4)  
DETAIL CC

OUTLET-COAX/  
12V EXTERIOR  
168516-01-CHT  
SCREW  
G39-08-16U (2)  
DETAIL AB

WIRE ASM-COACH  
000025296 / 315238-01-000

- 68U TV - MAIN
- 68Y TV - MAIN
- 3AA SOLAR PANEL/BATT CHARGER SYS
- 255 RADIO/AM/FM/CD/DVD PLAYER
- 265 CODES/STANDARDS-CSA/CMVSS
- 1B1 CODES/STANDARDS USA

1B1 265

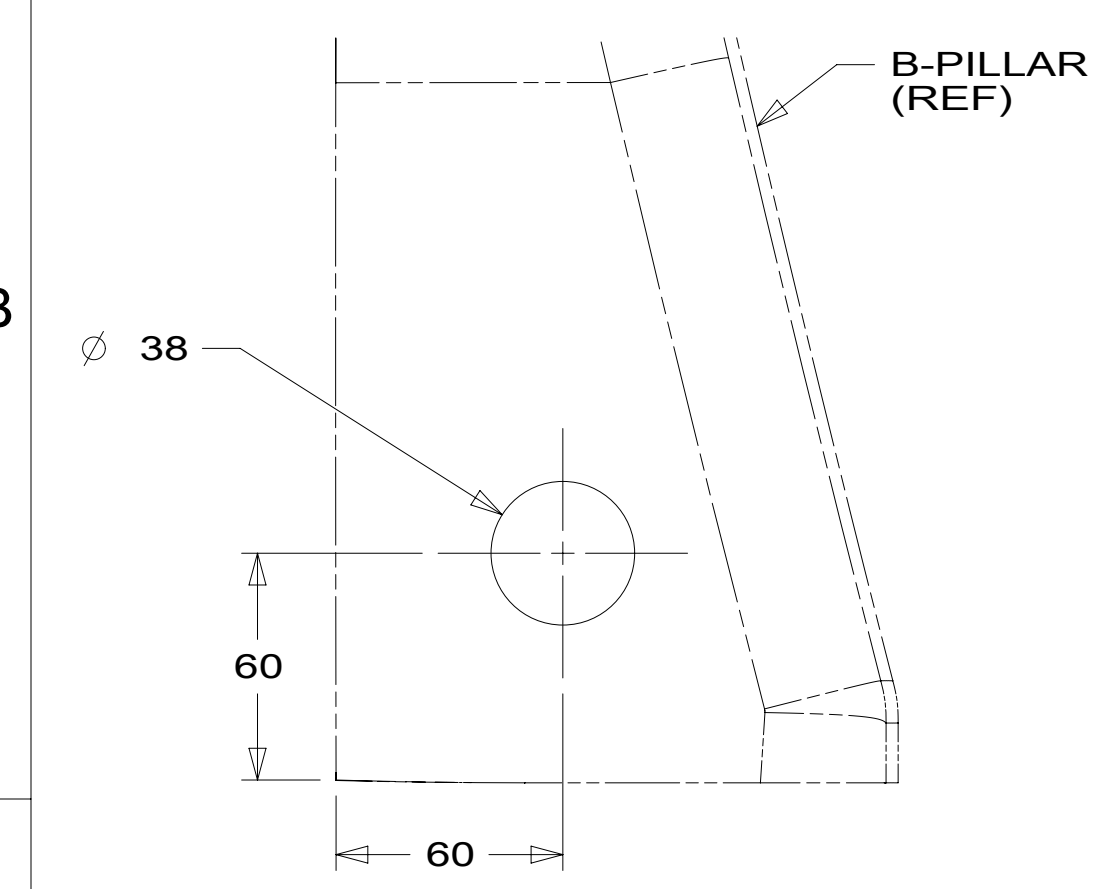


DSNR:		ALL DIMENSIONS ARE IN MILLIMETERS	
DIFFR:		MATERIAL:	
UNSPECIFIED TOLERANCES:			
WHOLE DIM (X)	: 3		
ONE-PLACE (X.X)	: 1.5		
TWO-PLACE (X.XX)	: 0.50		
ANGLE	: 1°		
REFER TO ES0018 FOR FASTENER TIGHTENING GUIDELINES		WEIGHT: (LBS)	FIRST USED:
			17 170M

**WIRING INSTL-BODY, 12V**

SHEET: 1 OF 4 ITEM/PART NO: 000006469 / 31036101000 REF: 1 15-Sep-2017

DETAIL AE



VIEW AC

- 5 CUT TO LENGTH NEEDED TO FIT POCKET IN TRIM.
- 4 MOUNT ON EXTERIOR SURFACE OF VAN SIDEWALL.
- 3 PLACE CROSS LOCATOR ON SENSORS OVER DIMPLES ON TANK.

2. ROUTE TANK SENSOR WIRES SO THEY DO NOT PASSOVER SENSORS. USE WIRE TIE MOUNT 155366-01-000 AND WIRE TIE 8343-01-000 AS NEEDED. TANK SURFACE MUST BE CLEANED USING ISOPROPYL ALCOHOL AND PRIMED WITH PRIMER 94.

1. AT MINIMUM ALL WIRES TO BE SUPPORTED AND SECURED PER CODE REQUIREMENTS. USE CLAMP 10495 OR 10497 OR WIRE TIE 8343 OR 108046 AND SCREW G67-XX-XXX OR G56-XX-XXX AS APPROPRIATE FOR INSTALLATION.

NOTES:

SWITCH  
DETAIL CA

PANEL-CP PLUS,US  
192038-32-CHT  
SCREW  
G11-08-08U (4)

PANEL ASM-SWITCH,  
2POS,AWNING  
192810-02-CHT

PANEL ASM-SWITCH,  
2POS,MURPHY BED  
000024481 / 315005-01-CHT

PANEL ASM-SWITCH,6POS,ENTRY  
000024486 / 315010-01-CHT

LIGHT-TAPE, LED  
187693-22-CHT

JG,JN  
TO STOVE TOP  
JN  
TO STOVE GROUND

SWITCH  
DETAIL CD

WIRES TO  
BOOSTER FAN  
DETAIL AF

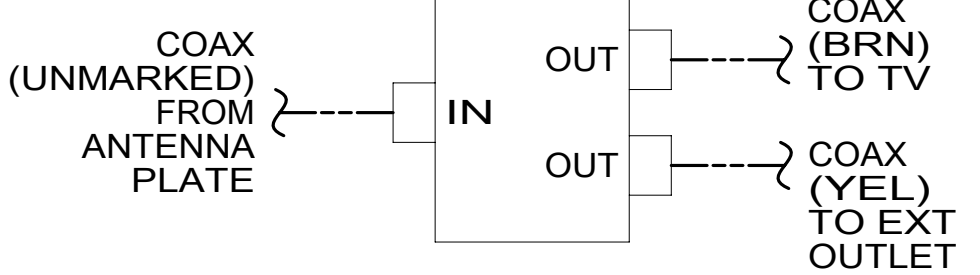
WIRE ASM-  
WATER TANK  
151317-06-000

RELAY-AWNING  
LOCKOUT  
063912-02-000  
SCREW  
G11-08-12U

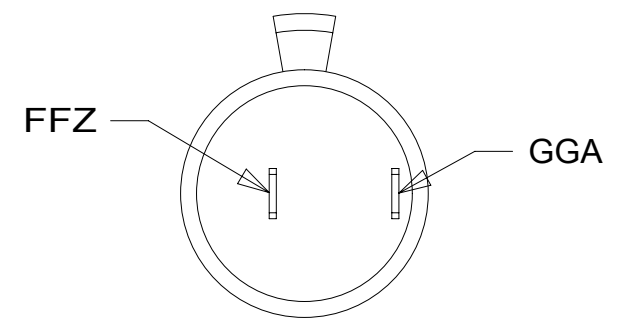
CROSSOVER BOX  
150140-01-000  
CROSSOVER COIL  
150140-02-000  
CLAMP  
10497-02-000  
SCREW  
G11-08-08U (4)  
SCREW  
G67-10-12U

FOR ELECTRICAL  
TORQUE  
SPECIFICATIONS  
SEE DWG NO.  
128783-01-000

FOR ELECTRICAL  
CALLOUTS  
SEE DWG NO.  
121339-01-000



DETAIL AA



DETAIL AB  
(2 PLACES)

LPGD

SUBWOOFER  
124884-01-000  
GRILL  
151844-01-CHT  
SCREW  
G11-08-12U (4)

GROMMET  
016188-10-000

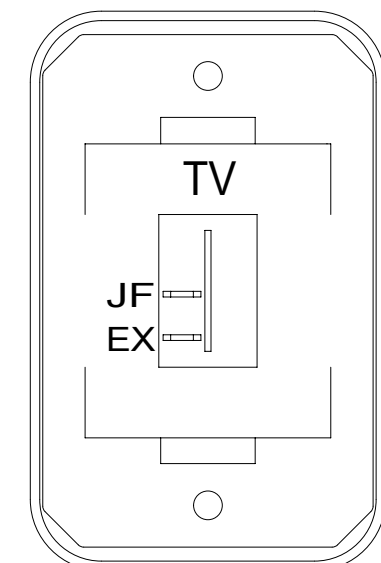
CLAMP-CLOSED  
10497-02-000

TO LEFT SIDE

A

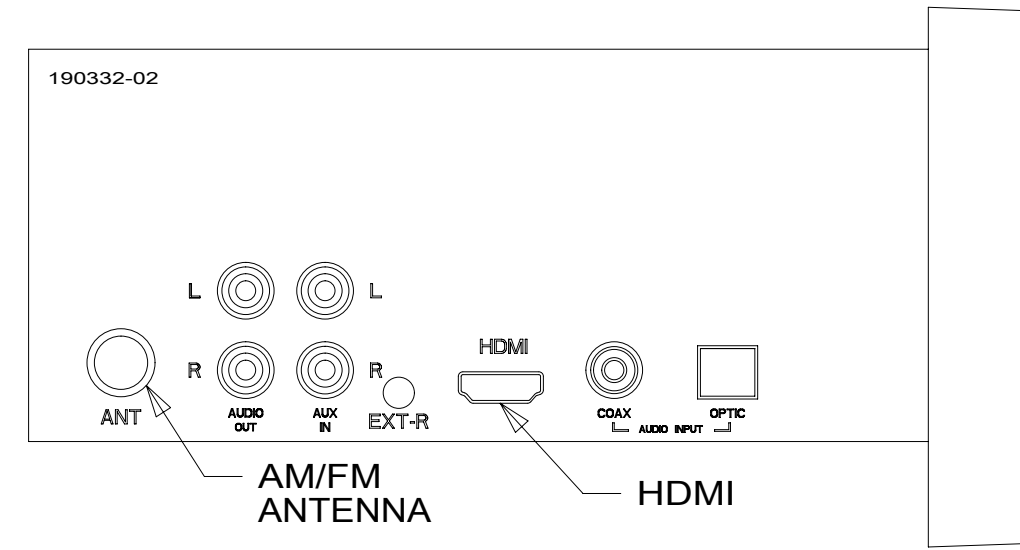
A



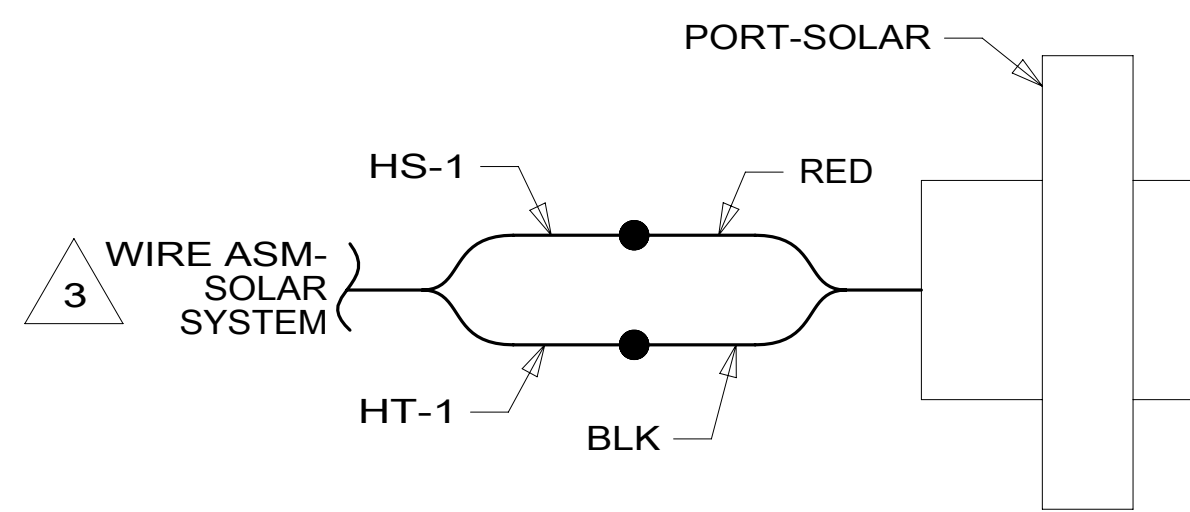


DETAIL CA

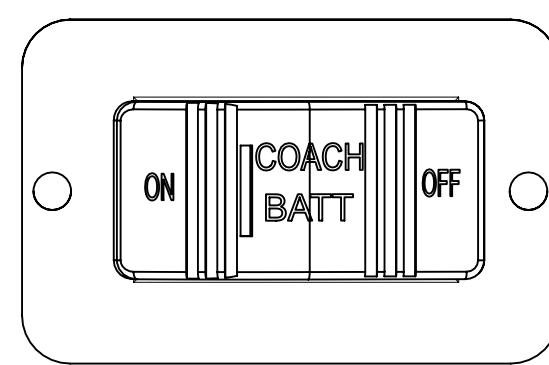
SWITCH-ROCKER  
135740-01-CHT  
SWITCH-BASE  
135741-01-CHT  
SWITCH-BEZEL  
135742-45-CHT  
SCREW  
G11-08-08U (2)



DETAIL CE

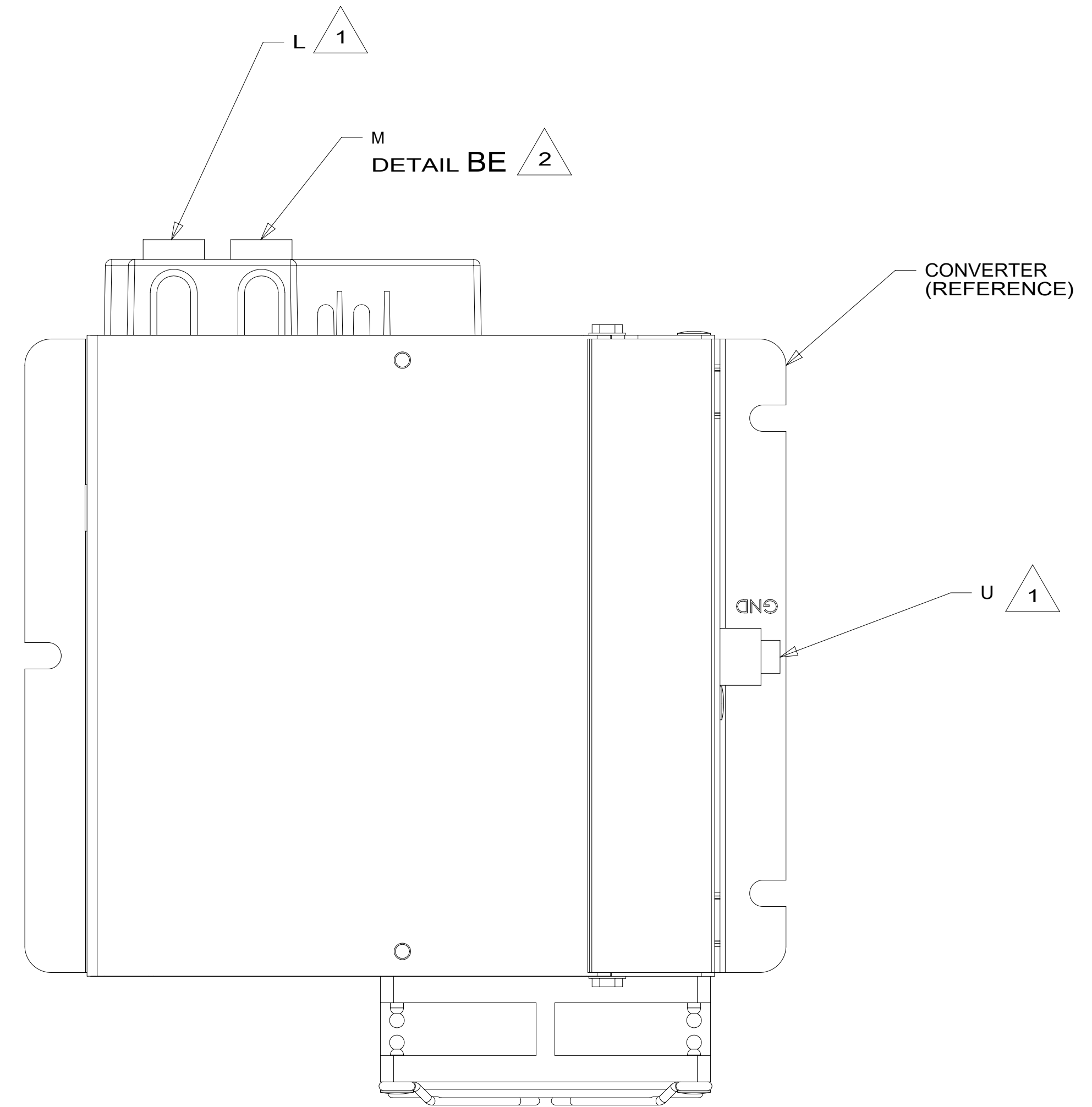


DETAIL CC 3AA



DETAIL CD  
(FRONT SIDE)

SWITCH-ROCKER  
108357-18-000  
ACTUATOR-SWITCH  
108356-19-CHT  
PLATE-SWITCH  
144363-02-CHT  
SCREW  
G11-06-10U (2)  
WIRE ASM-THERMISTOR  
186796-01-000



DETAIL CB

- NOTES:
- 3 SEE WIRE ASM-SOLAR SYSTEM AND WIRE ASM-CHASSIS FOR ADDITIONAL INFORMATION.
  - 2 CIRCUIT FROM WIRE ASM-COACH.
  - 1 CIRCUIT FROM WIRE ASM-CHASSIS

- 3AA SOLAR PANEL/BATT CHARGER SYS
- 265 CODES/STANDARDS-CSA/CMVSS
- 1B1 CODES/STANDARDS USA

FOR ELECTRICAL TORQUE SPECIFICATIONS SEE DWG NO. 128783-01-000

FOR ELECTRICAL CALLOUTS SEE DWG NO. 121339-01-000

DESCRIPTION:	
<b>WIRING INSTL-BODY, 12V</b>	
SHEET:	ITEM/PART NO. REV
3 OF 4	000006469 / 31036101000

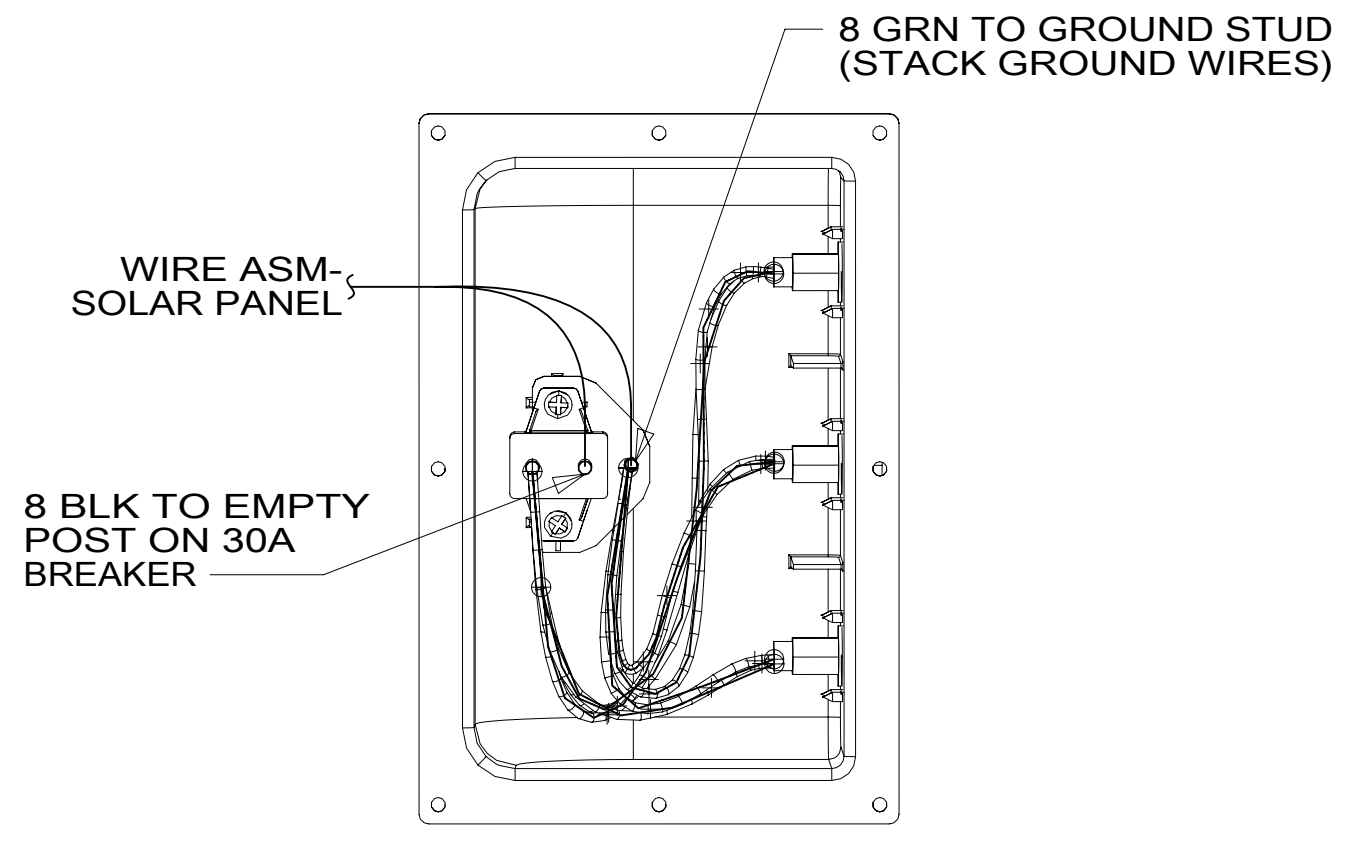
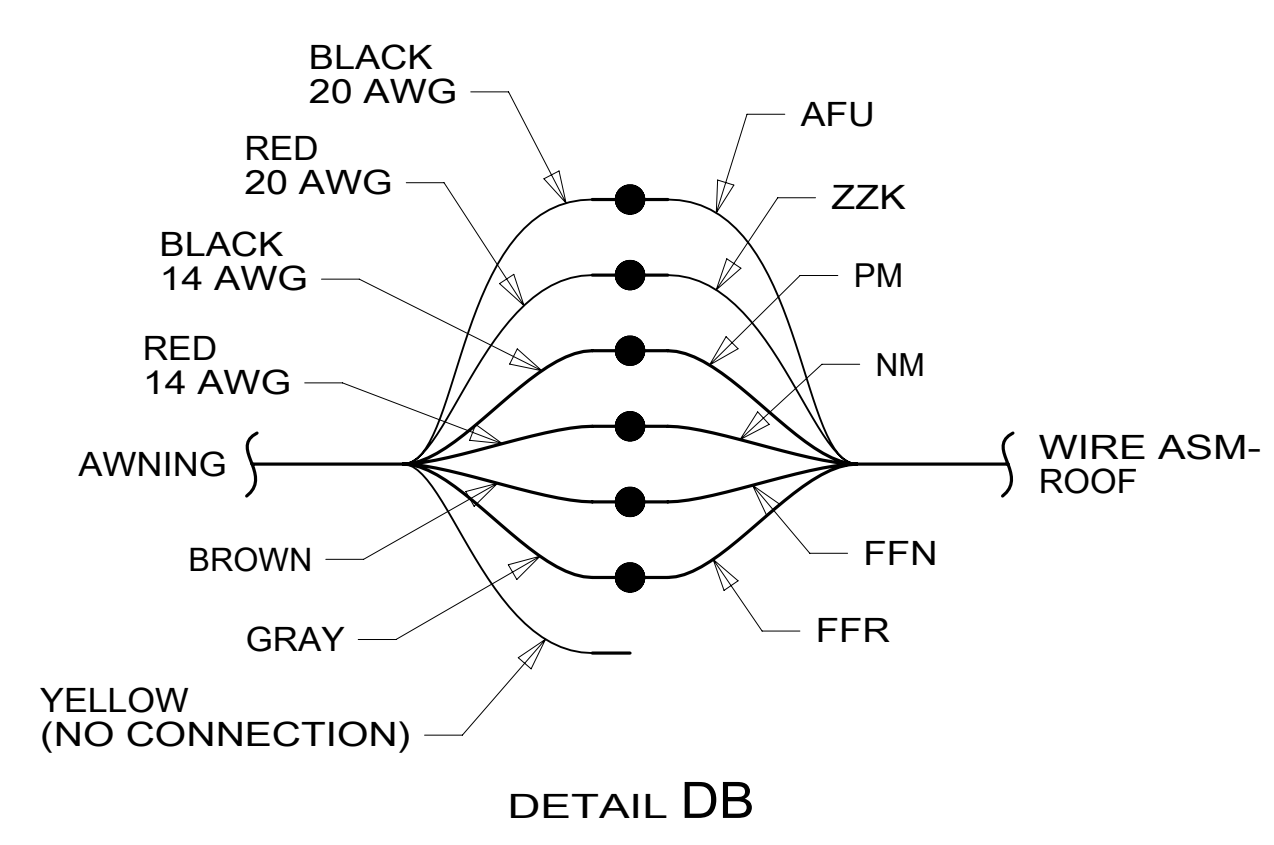
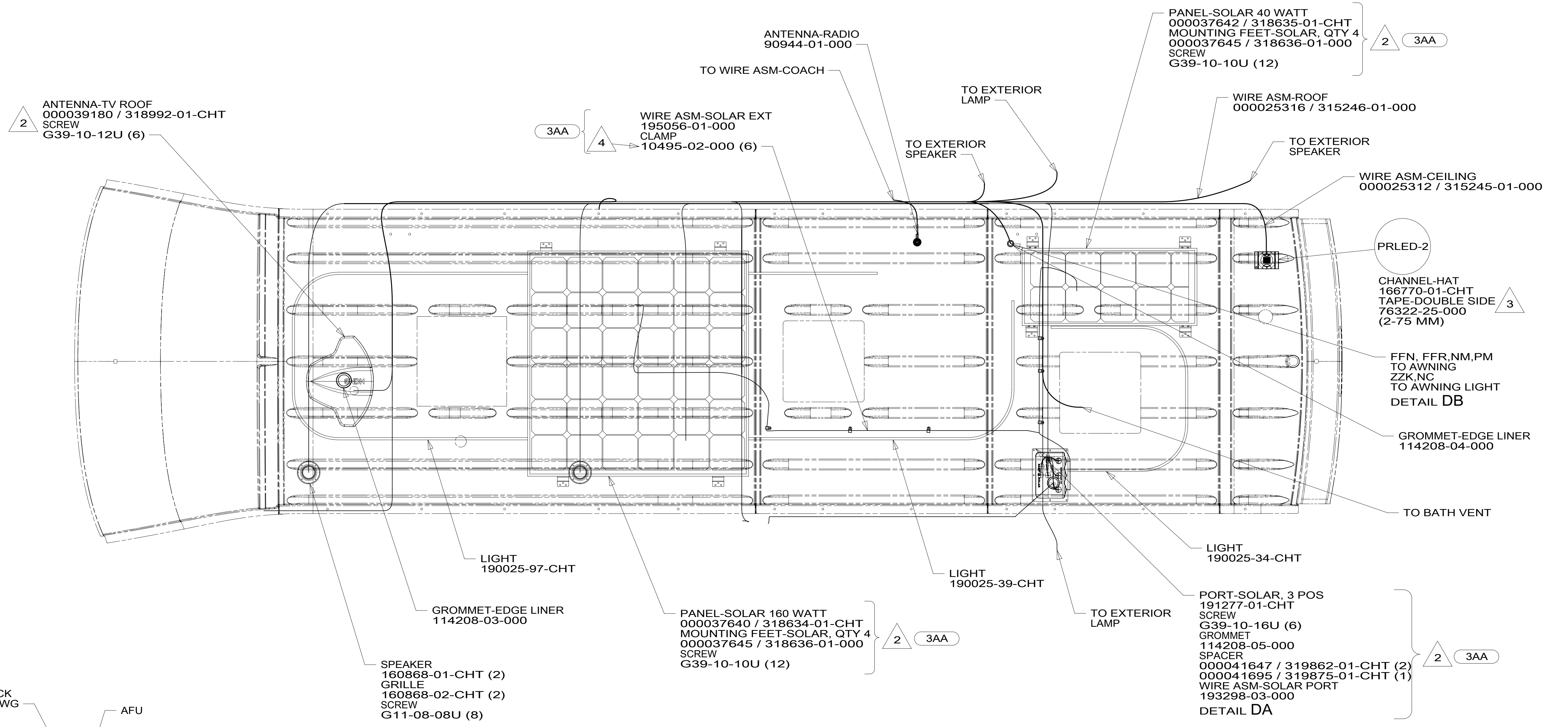


D

C

B

A



- 4 ATTACH CLAMPS WHEN MOUNTING A/C AND VENT SUPPORT PANEL. SEE A/C AND VENT SYSTEM INSTALLATION FOR ADDITIONAL INFORMATION.
- 3 MOUNTED TO CEILING PANEL.
- 2 MOUNTED ON EXTERIOR SURFACE OF ROOF.

1. AT MINIMUM ALL WIRES TO BE SUPPORTED AND SECURED PER CODE REQUIREMENTS. USE CLAMP 10495 OR 10497 OR WIRE TIE 8343 OR 108046 AND SCREW G67-XX-XXX OR G56-XX-XXX AS APPROPRIATE FOR INSTALLATION.

NOTES:

- 3AA SOLAR PANEL/BATT CHARGER SYS
- 265 CODES/STANDARDS-CSA/CMVSS
- 1B1 CODES/STANDARDS USA

FOR ELECTRICAL TORQUE SPECIFICATIONS SEE DWG NO. 128783-01-000

FOR ELECTRICAL CALLOUTS SEE DWG NO. 121339-01-000

DESCRIPTION: <b>WIRING INSTL-BODY, 12V</b>	
SHEET: <b>4 OF 4</b>	ITEM/PART NO: <b>000006469 / 31036101000</b>
REV <b>15-Sep-2017</b>	