

8 7 6 5 4 3 2 1

D

D

C

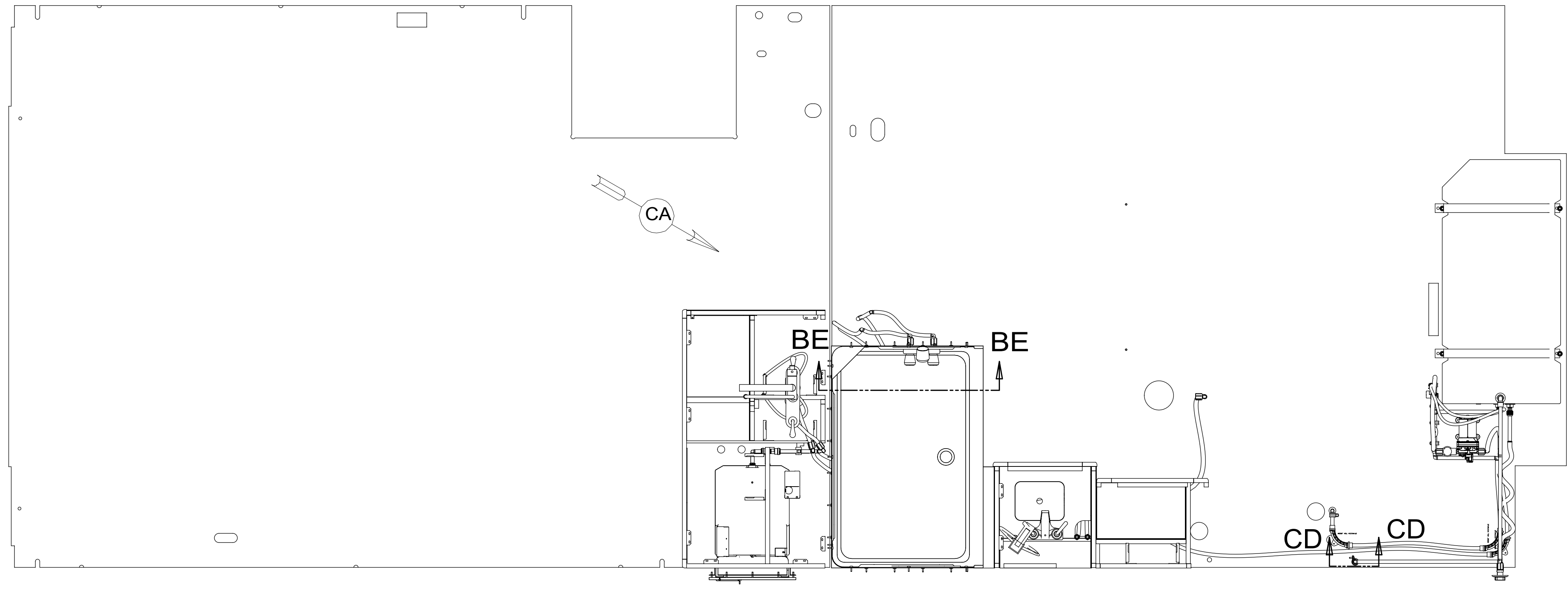
C

B

B

A

A



- 9. ALL CRIMP FITTINGS TO 3/4" PEX TUBING REQUIRE 3/4" CLAMP 140171-05-000.
- 8. ALL CRIMP FITTINGS TO 1/2" PEX TUBING REQUIRE 1/2" CLAMP 140171-03-000.
- 7. ALL CRIMP FITTINGS TO 5/8" FLEX TUBING REQUIRE 5/8" CLAMP 140171-04-000.
- 6 LABEL HOT AND COLD SUPPLY TUBES AND TAPE FITTING TO TUBE BEFORE CABINET SET TO PREVENT MOVEMENT.
- 5 ADD PIPE WRAP (LADDER SCRAP 110157-02-000) INSULATION.
- 4 ADD TEFLON TAPE 010405-02-000.
- 3. ALL TUBING TO BE SECURED AT 1200 INTERVALS MAXIMUM WITH CLAMP 010495-01-000 AND SCREW 000G67-10-12U OR EQUIVALENT.
- 2. TUBING TO BE INSTALLED WITH SUFFICIENT SLOPE TO PROVIDE DRAINAGE TO NEAREST VALVE.
- 1. PLASTIC FITTINGS TO BE SEALED WITH SEALANT 084456-01-000.

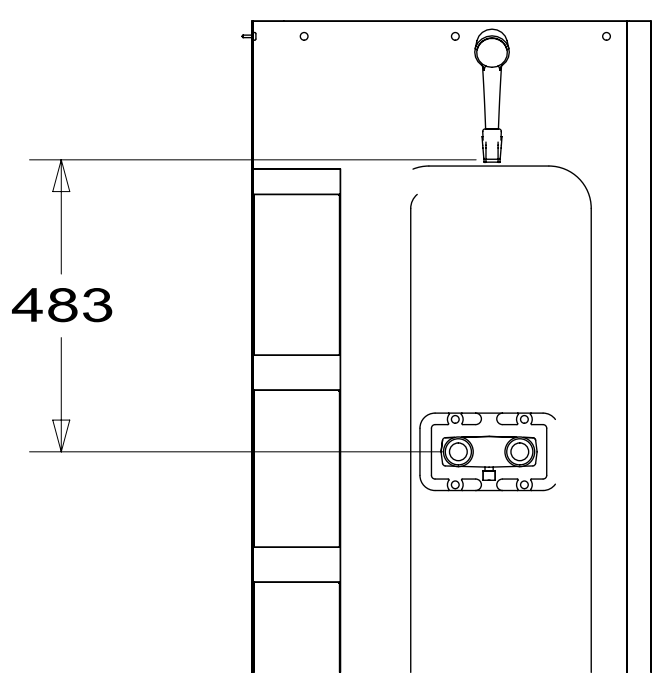
NOTES:

- 640 RENTAL - GAH WITHOUT
- 644 GREAT ALASKAN RENTAL PACKAGE
- 093 PREMIUM PACKAGE WITHOUT
- 09A PREMIUM PACKAGE



| | | | |
|--|-------------------------|-----------------------------------|-------------------|
| DSNR: | | ALL DIMENSIONS ARE IN MILLIMETERS | |
| DIFTR: | | MATERIAL: | |
| UNSPECIFIED TOLERANCES: | | | |
| WHOLE DIM (X) | 3 | | |
| ONE-PLACE (X.X) | 1.5 | | |
| TWO-PLACE (X.XX) | 0.50 | | |
| ANGLE | 1° | | |
| REFER TO ES0018 FOR FASTENER TIGHTENING GUIDELINES | | WEIGHT: (LBS) | FIRST USED: (REF) |
| | | | 17 331D |
| DESCRIPTION: | | | |
| WATER SYSTEM INSTL | | | |
| SHEET: | ITEM/PART NO: | REV | |
| 1 OF 3 | 000005735 / 31240501000 | | |
| REF: | | 1 06-Jan-2017 | |

8 7 6 5 4 3 2 1

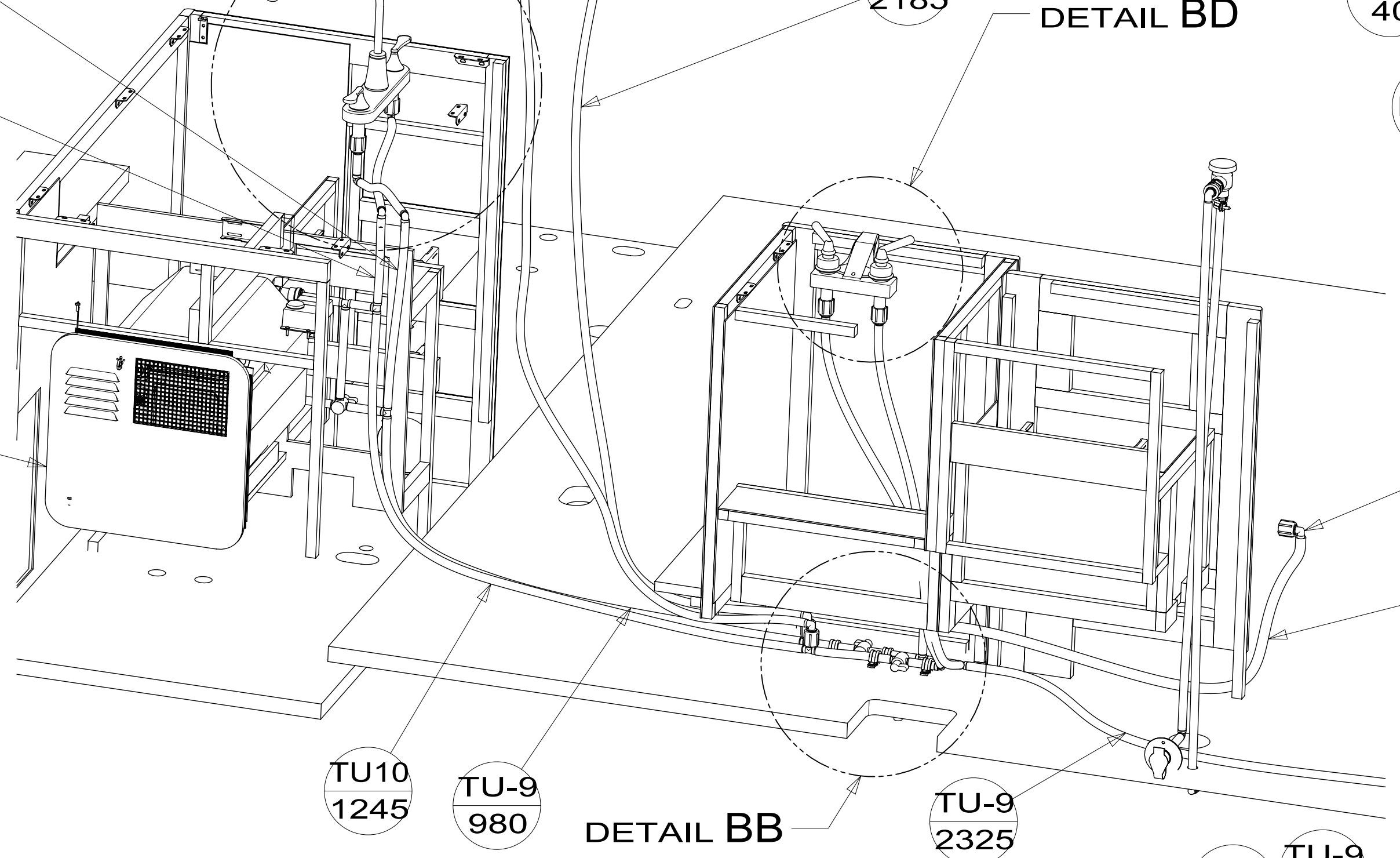


SECTION BE-BE

- 093 WATER HEATER INSTL 186899-04-000
- 186899-10-000
- 09A CABLE ASM 076767-05-000
- SCREW 000G39-08-08U (2)
- PLATFORM ASM 184166-01-000

DETAIL BC

- TU-9 370
- TU10 165



DETAIL BD

DETAIL BB

VIEW BA

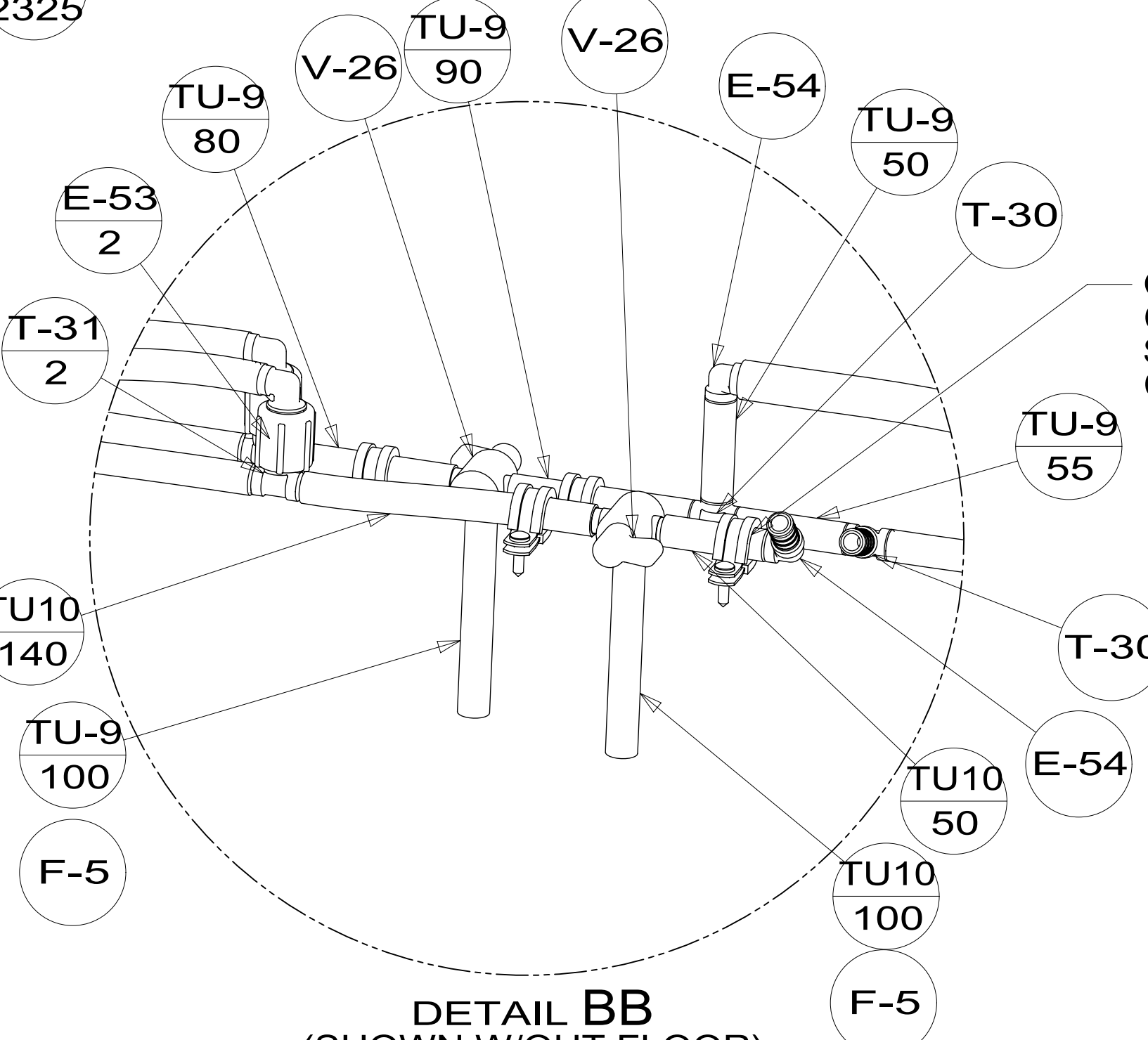
- FAUCET-LAV 148886-03-CHT 640
- FAUCET-LAV 165730-01-CHT 644
- FAUCET-LAV 191985-01-CHT 09A

DETAIL BD

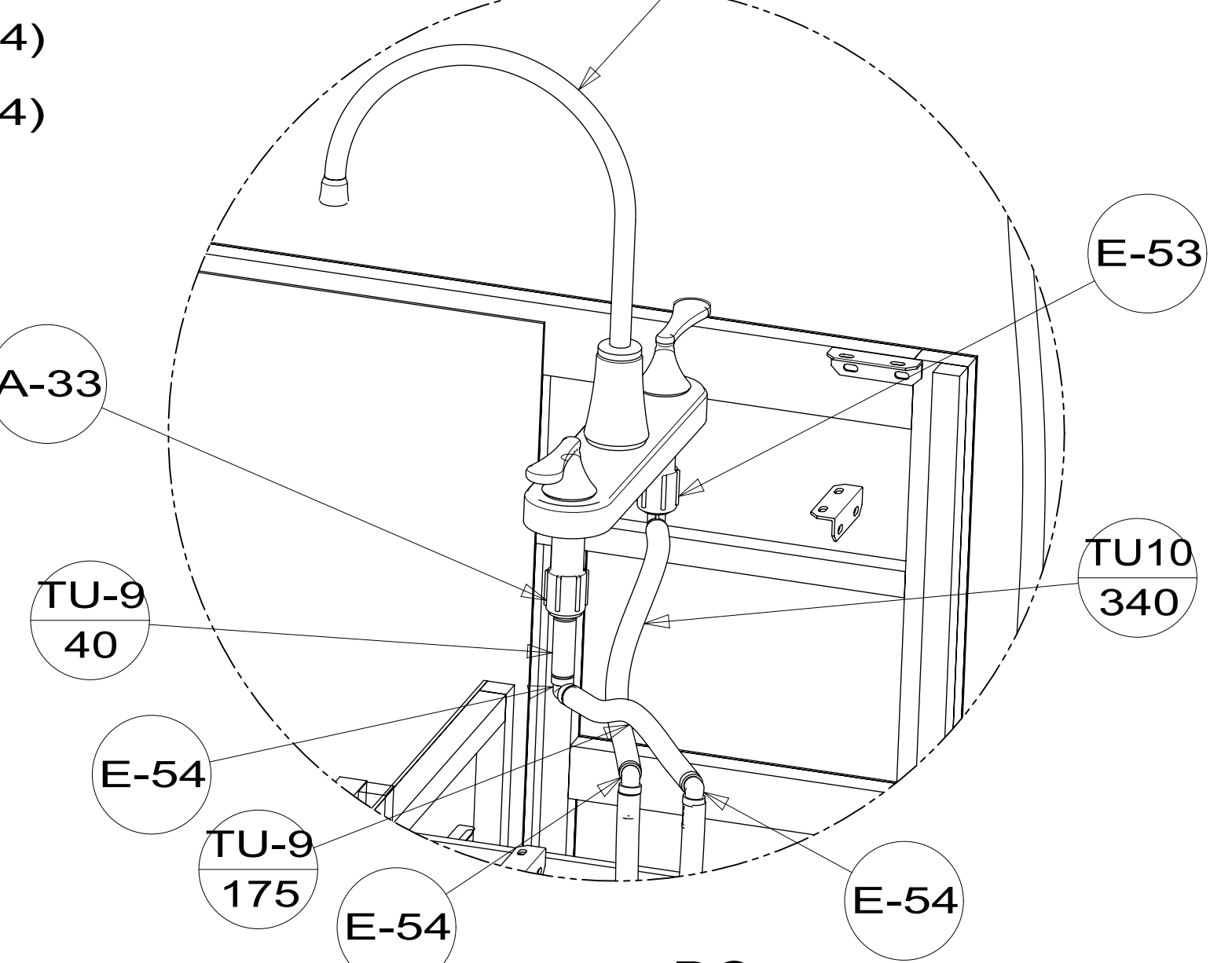
- 640 644 A-33 2
- 09A A-31 2
- 640 644 TU-9 855
- 09A TU-9 490

- TU10 805 640 644
- TU10 465 09A

DETAIL BB (SHOWN W/OUT FLOOR)

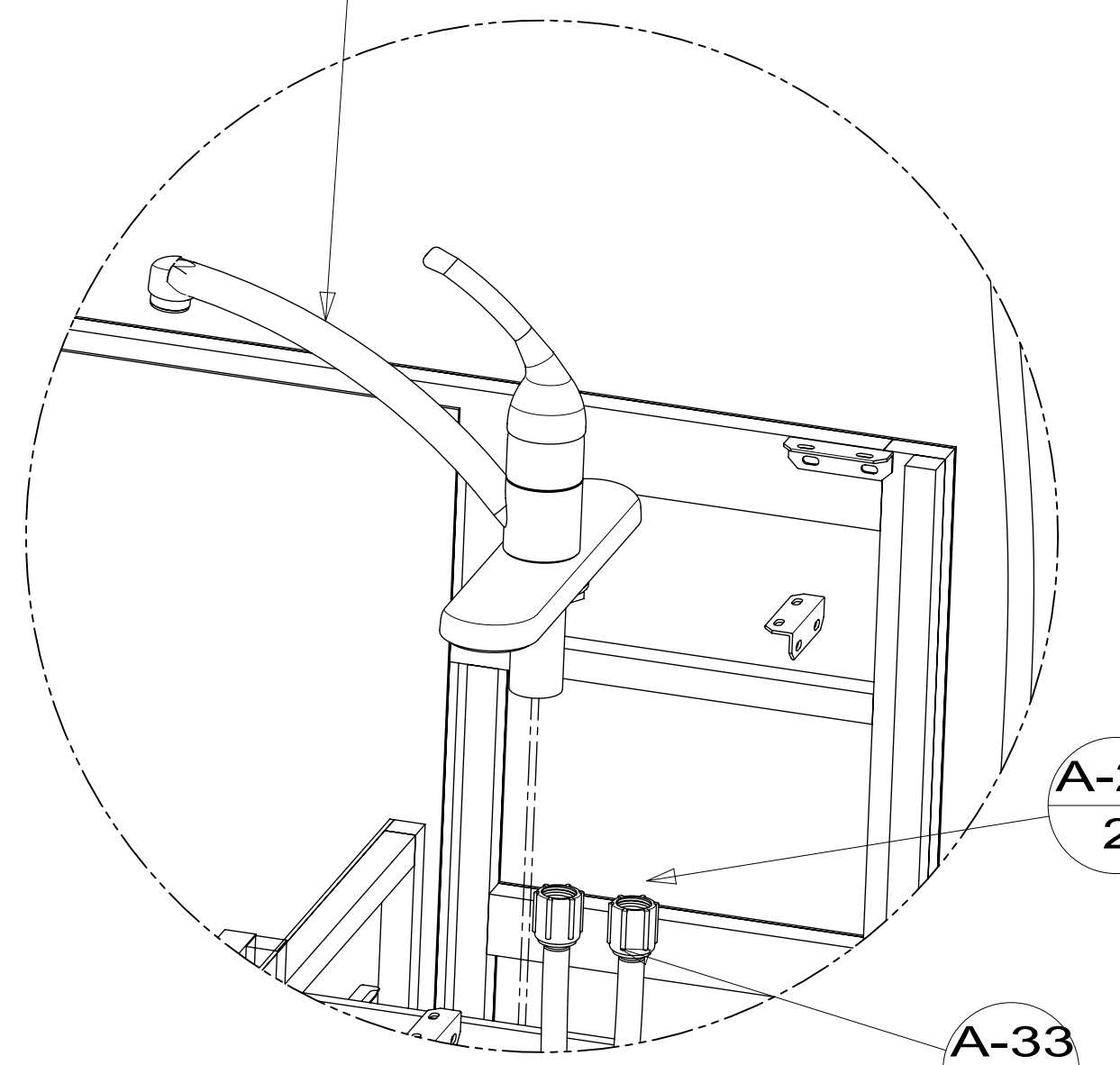


FAUCET-GALLEY 191983-01-CHT



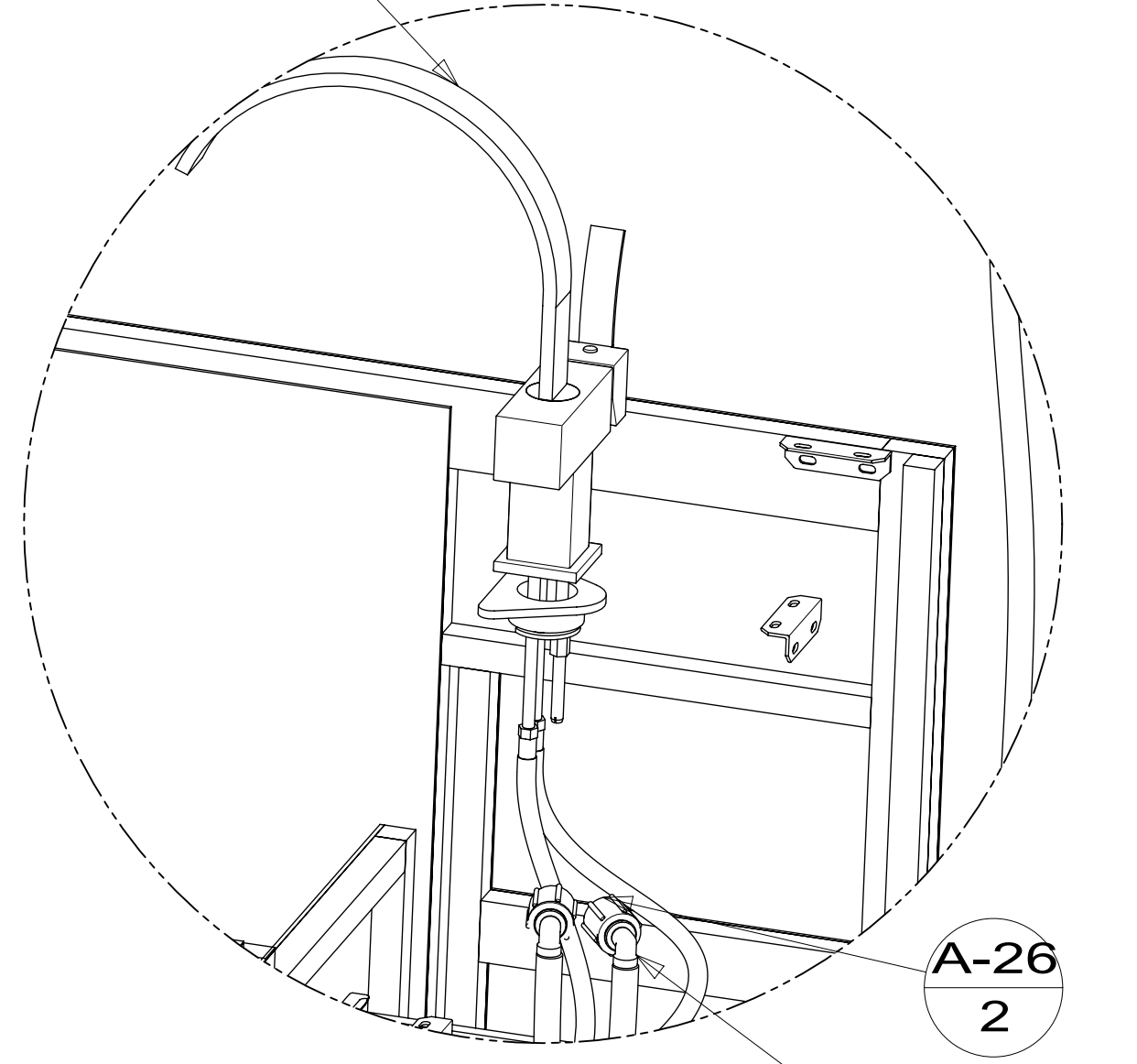
DETAIL BC 640 & 093

FAUCET-GALLEY 149164-01-CHT



DETAIL BC 644

FAUCET-GALLEY 191984-01-CHT

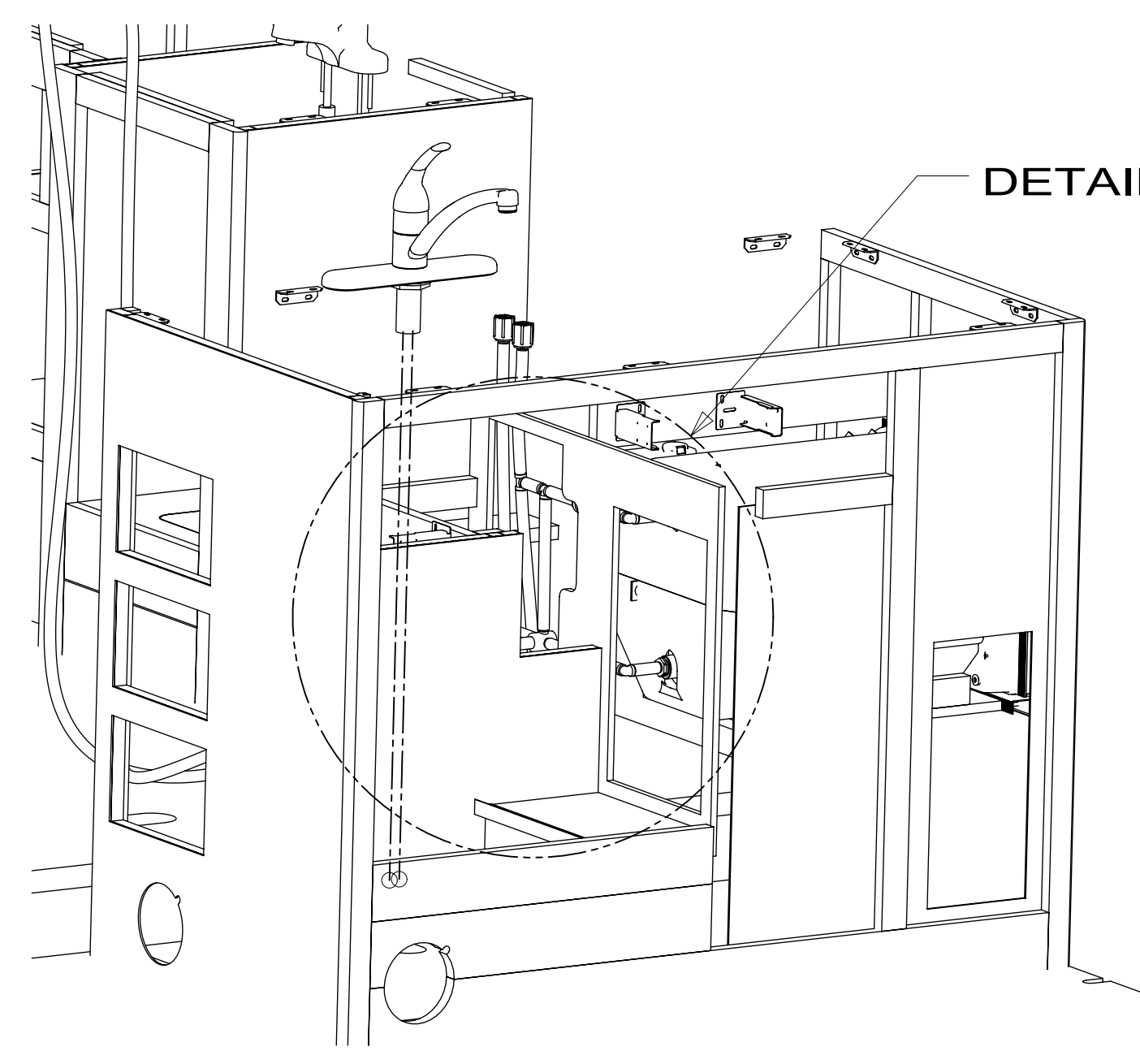


DETAIL BC 640 & 09A

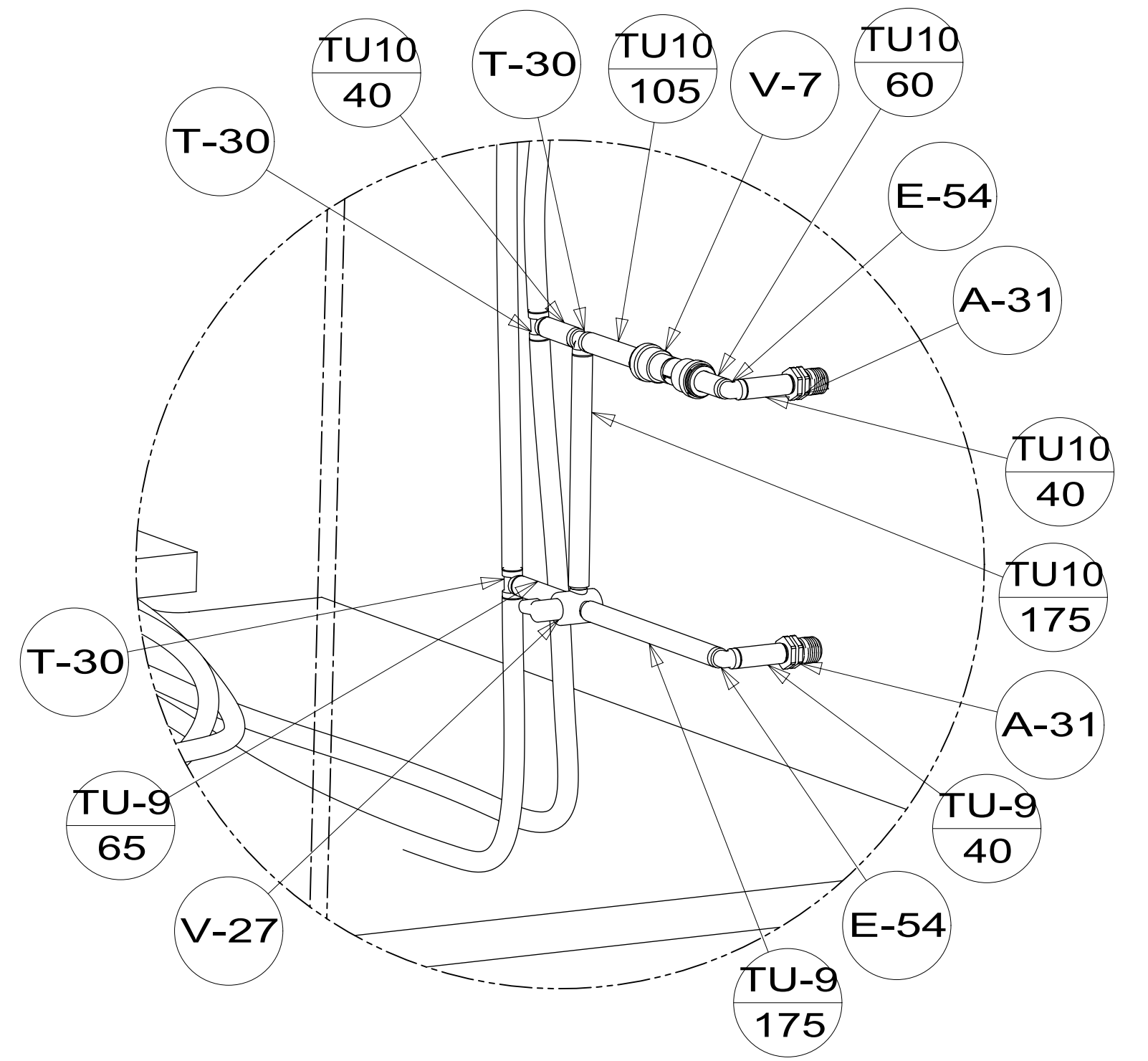
| | | |
|--------------------|-------------------------|-----|
| DESCRIPTION: | | |
| WATER SYSTEM INSTL | | |
| SHEET: | ITEM/PART NO: | REV |
| 2 OF 3 | 000005735 / 31240501000 | |

TANK ASM-WATER,44 GAL
 000012361 / 312762-01-000
 000012319 / 312761-01-000
 STRAP
 118994-10-CHT (2)
 WASHER
 000E13-16-00U (4)
 NUT
 000D39-05-00U (4)
 ELEVATOR BOLT
 000C18-05-40U (4)

640 & 38E WITHOUT
 644 640 & 38E

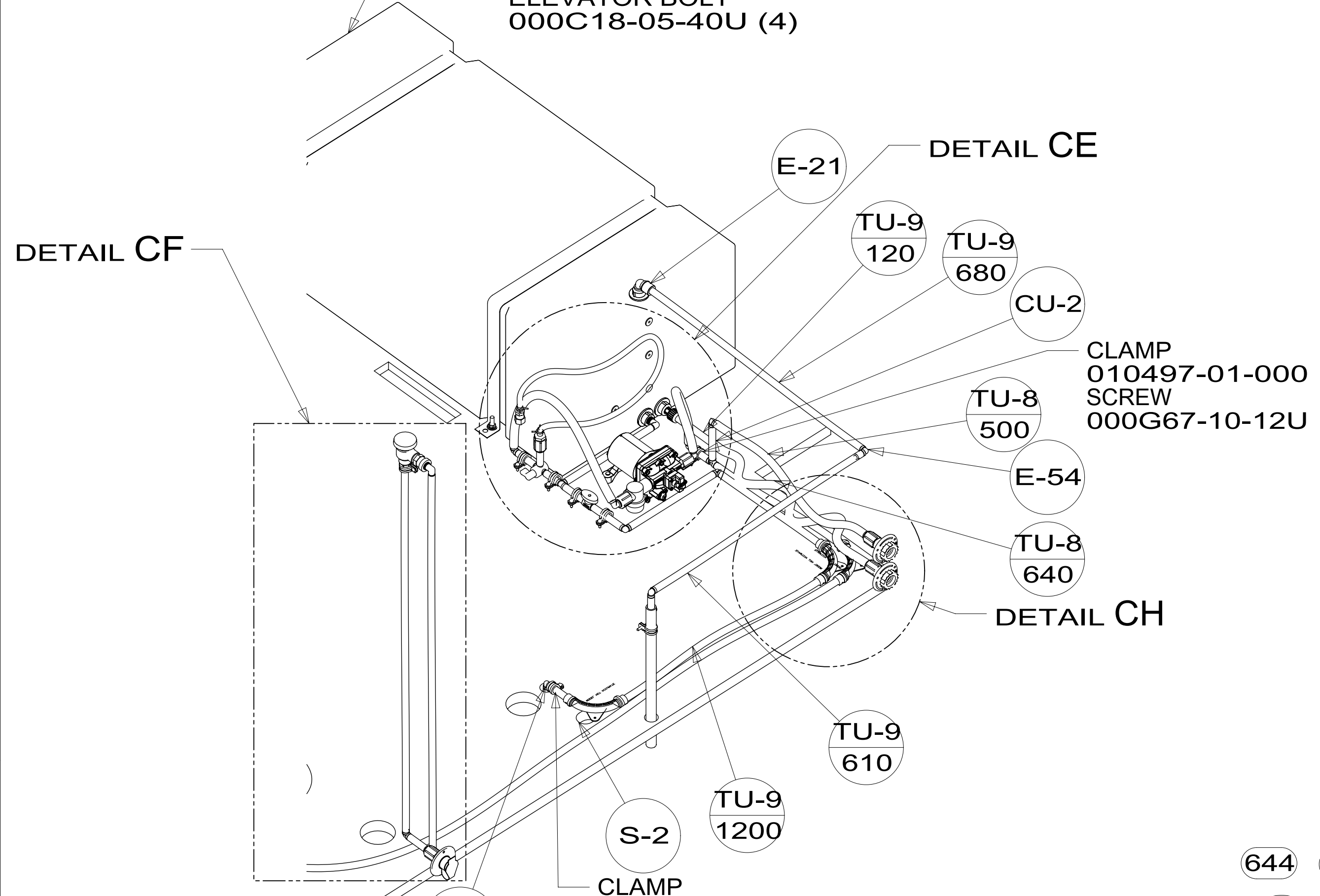


DETAIL CB



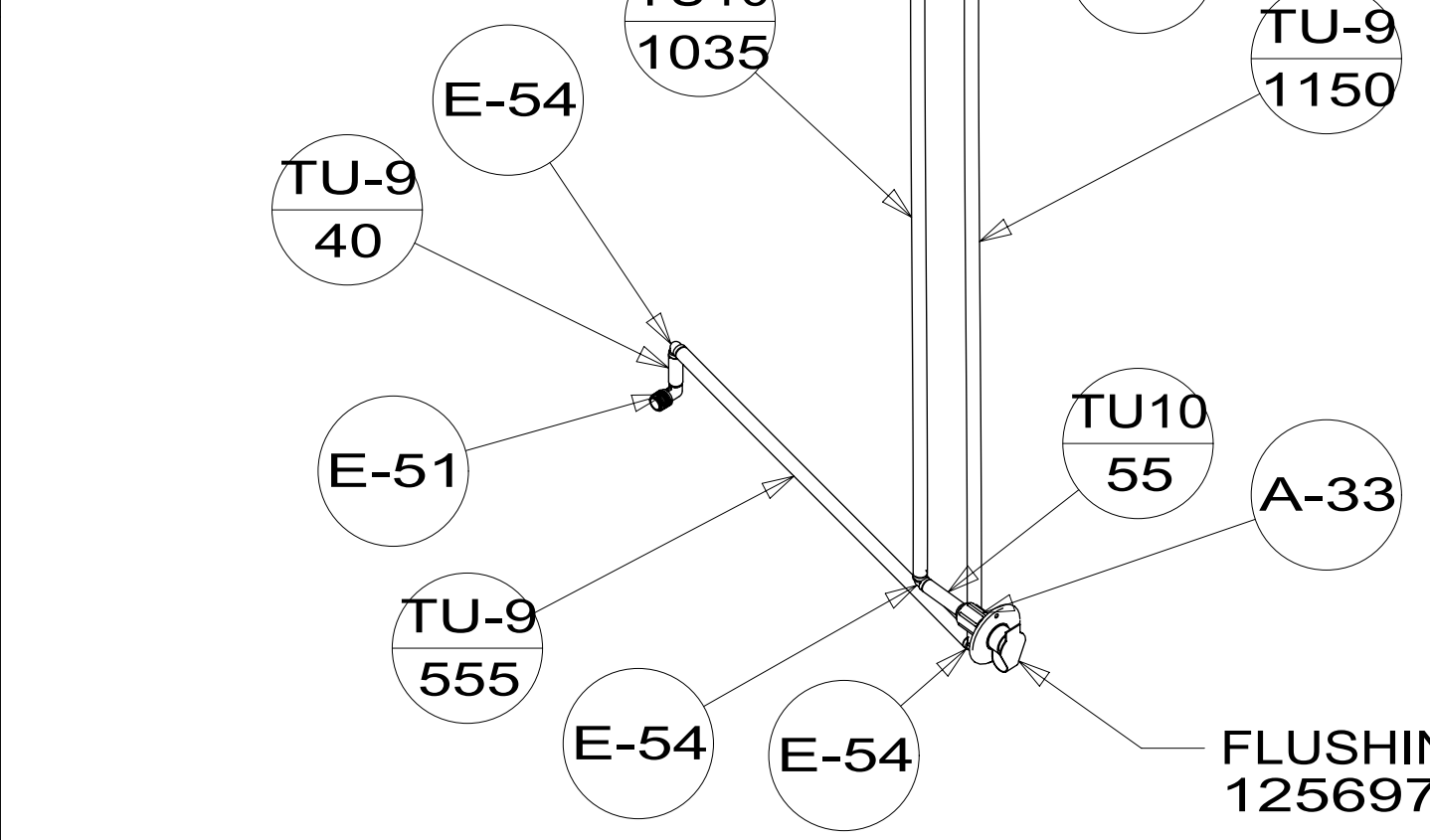
DETAIL CB

DETAIL CF



BREAKER-VACUUM
 125697-04-000
 CHECK VALVE
 125697-03-000
 (MUST BE MOUNTED
 ABOVE LAVATORY SINK
 FLOOD LEVEL)

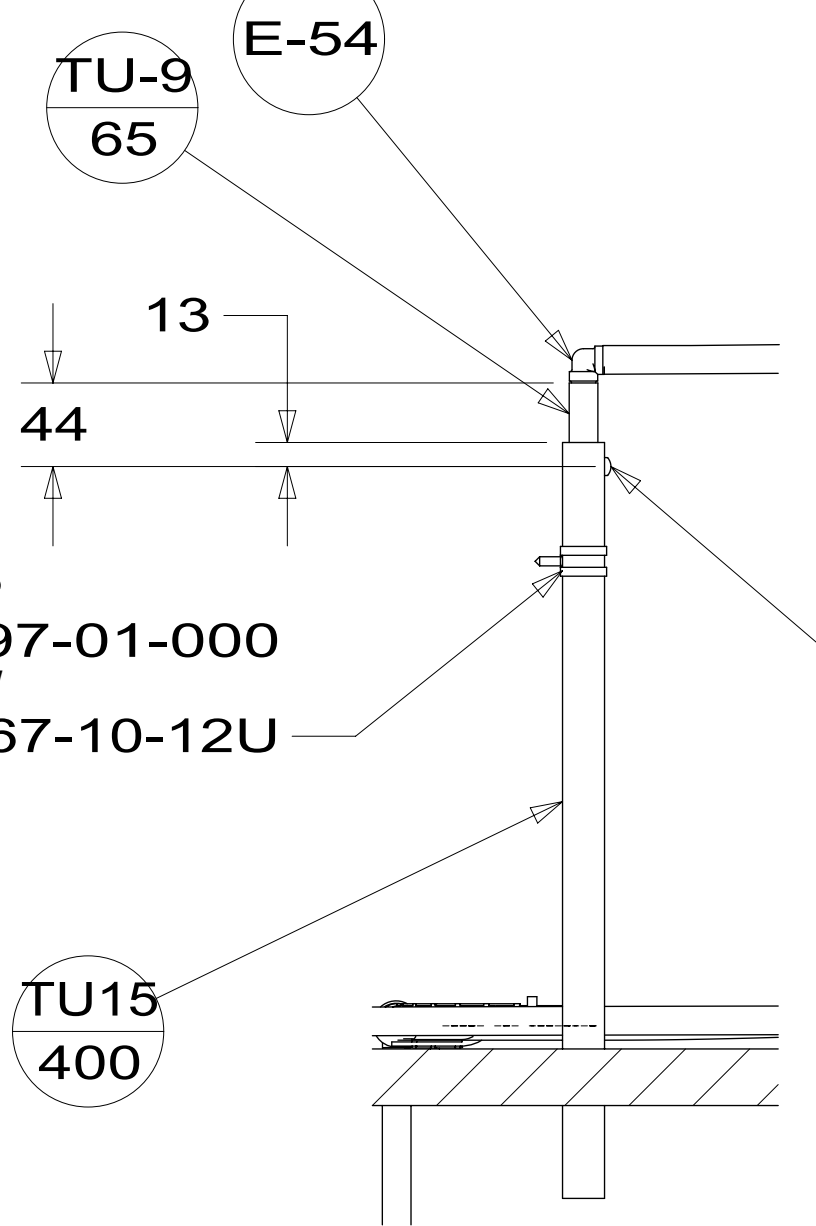
CLAMP
 010497-01-000
 SCREW
 000G67-10-12U



DETAIL CF

38E

VIEW CC



SECTION CD-CD

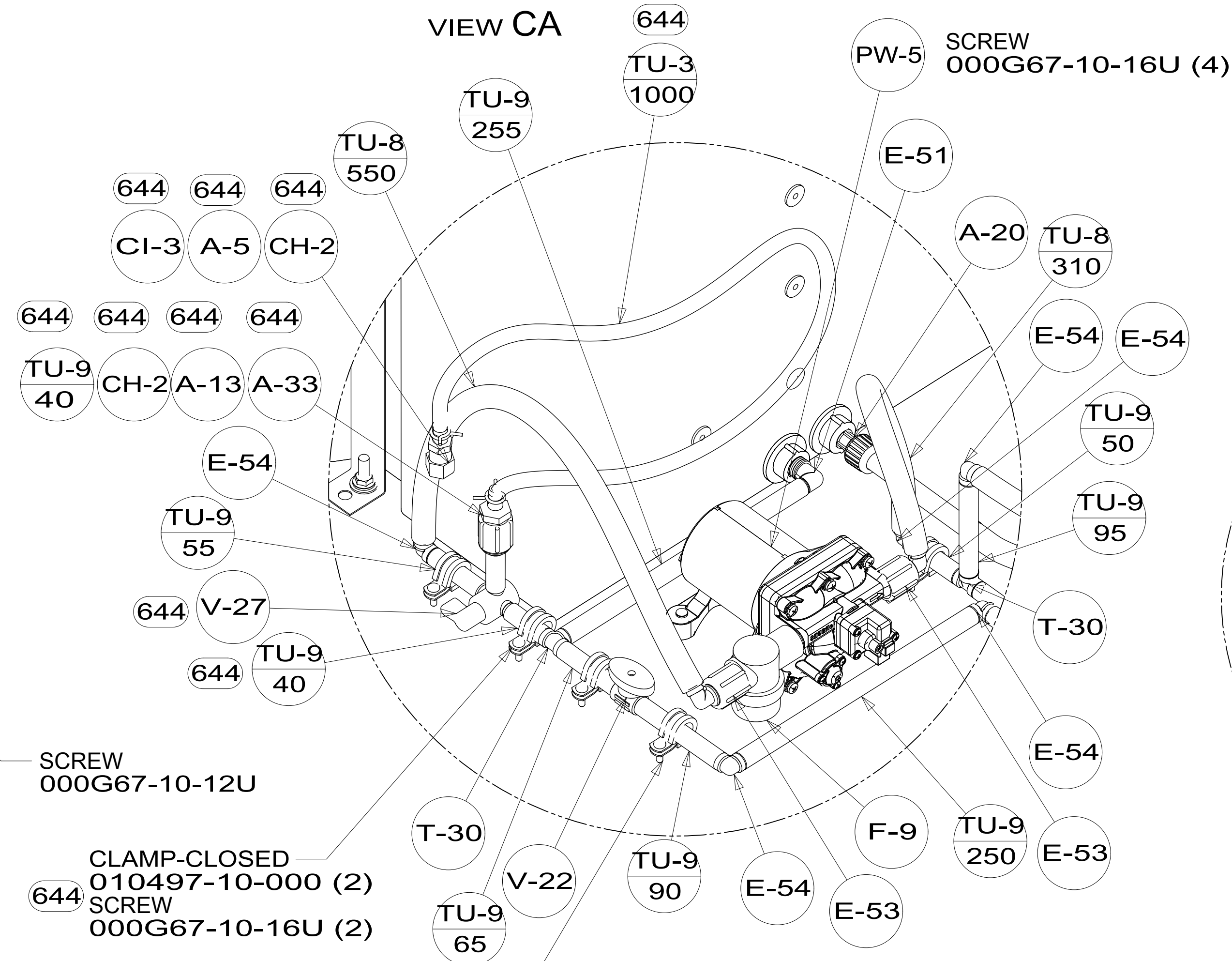
CLAMP
 010497-01-000
 SCREW
 000G67-10-12U

SCREW
 000G67-10-12U

CLAMP-CLOSED
 010497-10-000 (2)
 SCREW
 000G67-10-16U (2)

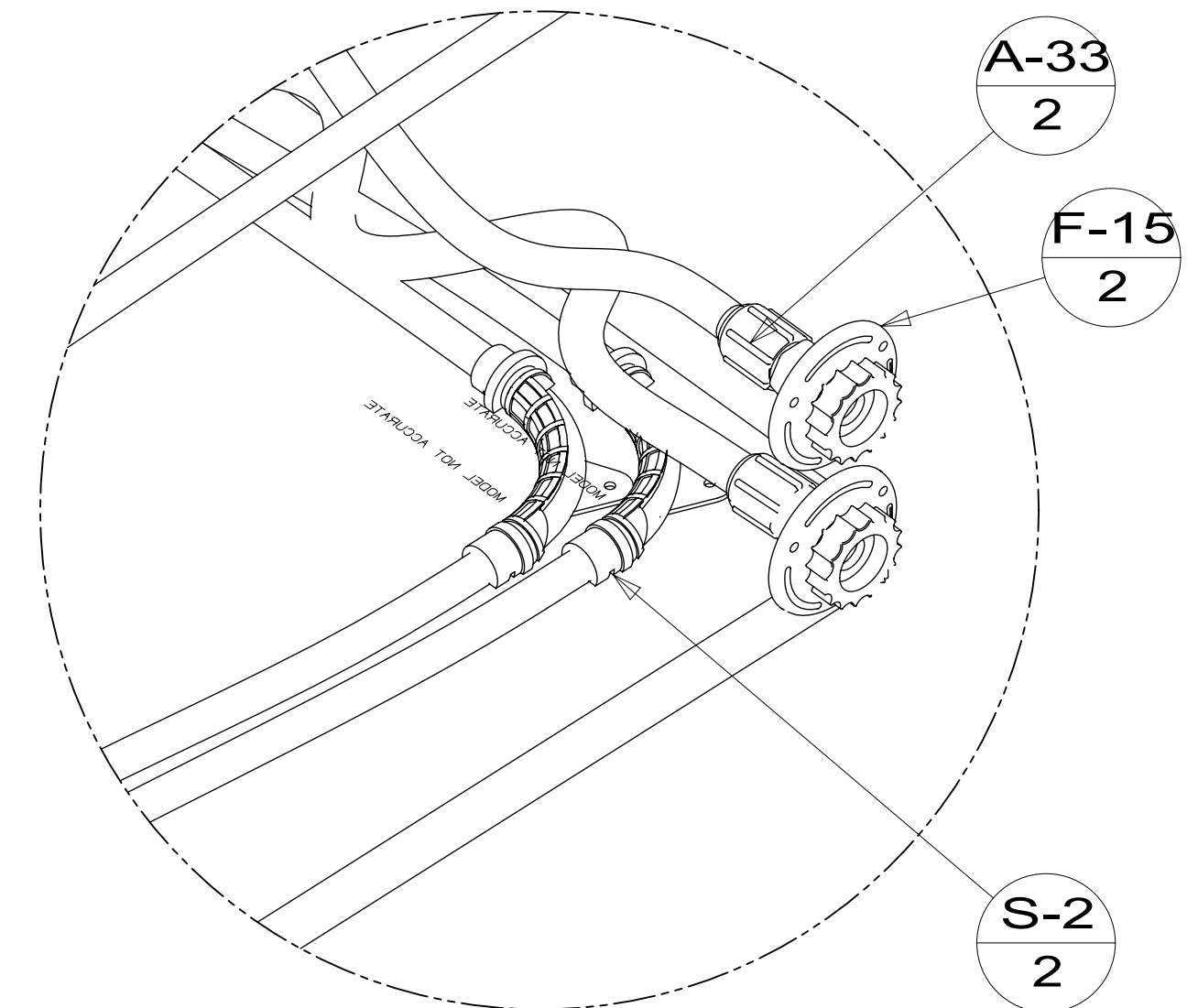
CLAMP
 010497-01-000 (2)
 SCREW
 000G67-10-12U (2)

VIEW CA



DETAIL CE

SCREW
 000G67-10-16U (4)



DETAIL CH

| | | |
|--------------------|-------------------------|-----|
| DESCRIPTION: | | |
| WATER SYSTEM INSTL | | |
| SHEET: | ITEM/PART NO.: | REV |
| 3 OF 3 | 000005735 / 31240501000 | |