

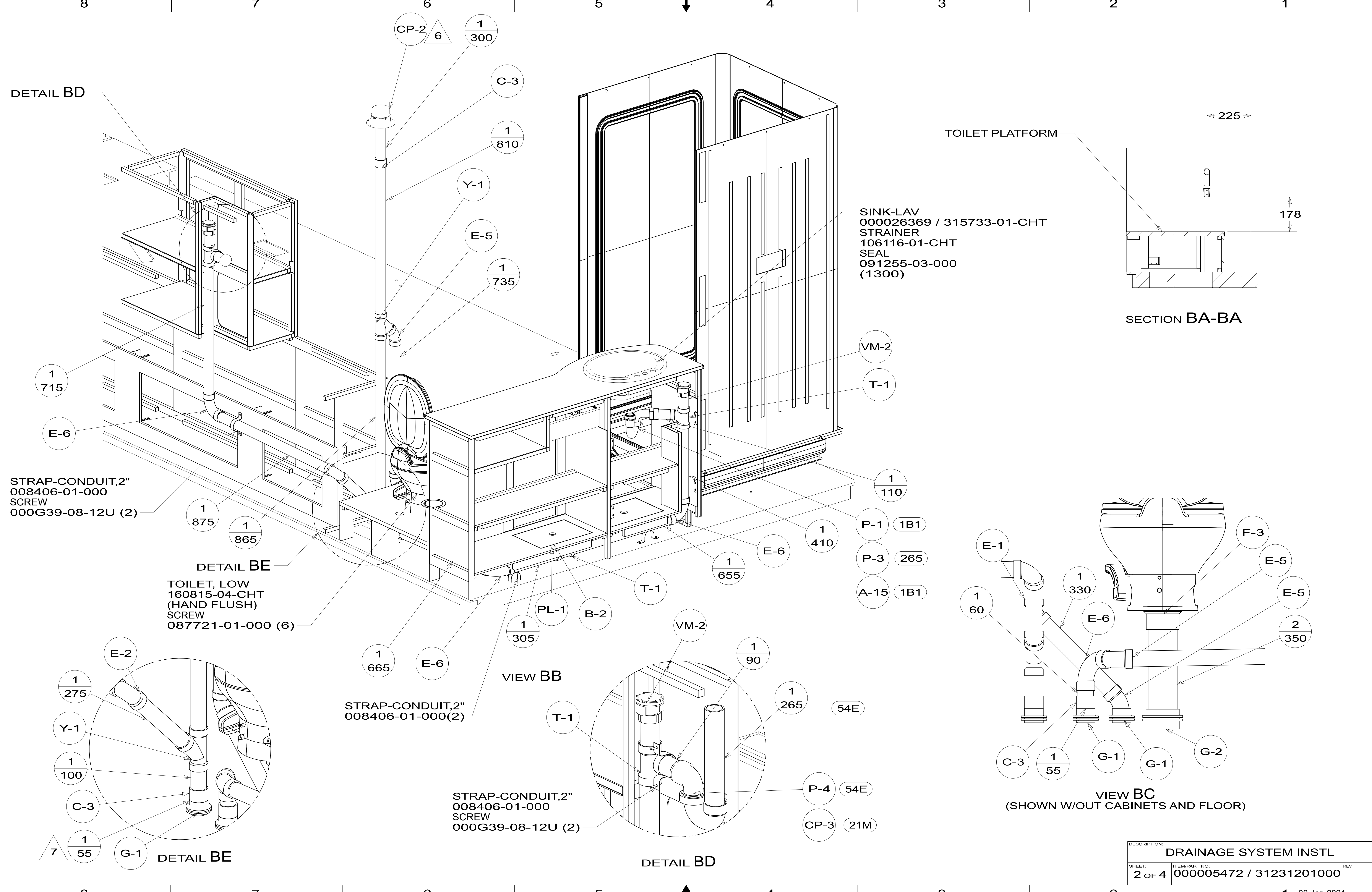
- 10. USE TEFLON TAPE 010405-01-000 FOR PUMP TO A-12 CONNECTION.
- 9. SEE DRAWING 061607 FOR INSTALLATION OF GROMMETS.
- 8. SECURE DRAINAGE PIPES TO CABINET USING WIRE TIE 108046-02-000, AND SCREW 000G67-10-12U AT INTERVALS OF NOT OF NOT MORE THAN 4 FEET APART.
- 7. SECURE VENT PIPE TO TANK WITH CLAMP 000156237 / 326663-02-000.
- 6. VENT PIPE MUST PROJECT 51 MIN AND 64 MAX ABOVE ROOF FOR PROPER FIT AND FUNCTION. ADD S-1 (000156099 / 326607-01-CHT SEAL-VENT PIPE) AROUND PIPE ON ROOF BEFORE VENT CAP IS INSTALLED.
- 5. SEAL AROUND SHOWER WITH SILICONE.
- 4. USE SMOOTH PLUMBERS PUTTY 167459-01-000 TO SEAL STRAINER (0.2 PER STRAINER).
- 3. ALL PIPE AND FITTINGS TO BE ASSEMBLED WITH SOLVENT 004020-01-000 (USA), 004020-02-000 (CAN)
- 2. SLOPE OF TRAP ARM MUST BE 6 PER 305 mm.
- 1. SLOPE OF HORIZONTAL PIPING TO BE MINIMUM OF 3 PER 305 mm.

- 21M WASHER/DRYER PREP
- 54E WASHER/DRYER COMBO
- 265 CODES/STDS-CSA/CMVSS
- 1B1 CODES/STANDARDS-USA

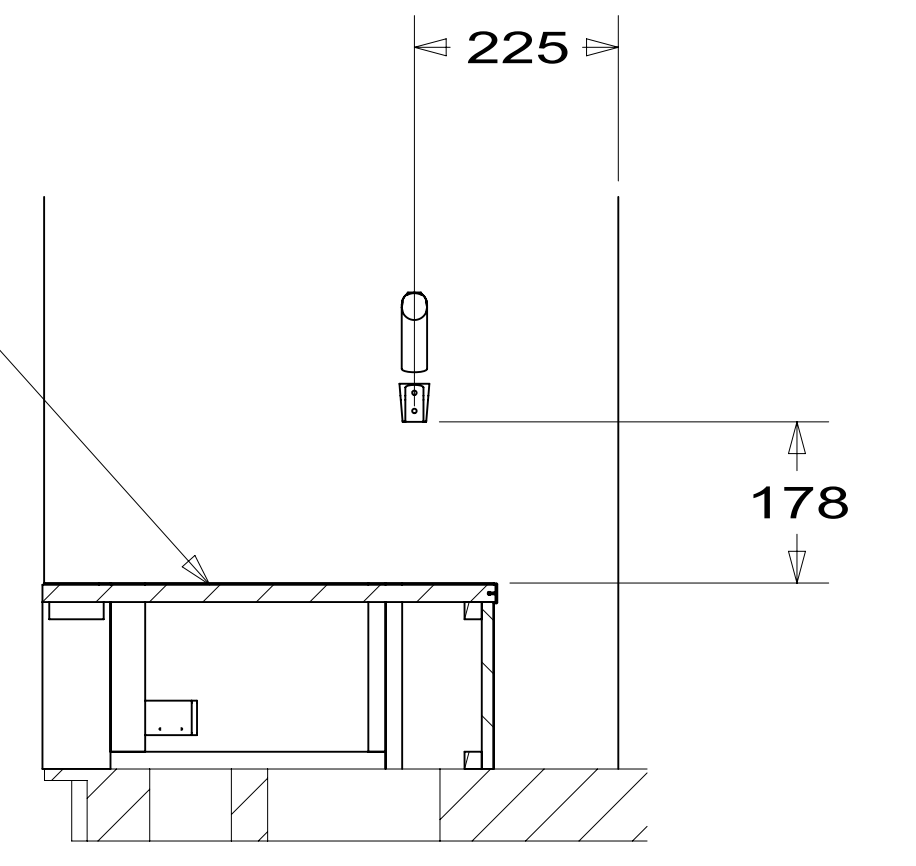
X-X
FOR
DRAINAGE
CALLOUTS
SEE DWG NO.
000211962 /
303370-01-000

WINNEBAGO[®]
COPYRIGHT 2024 WINNEBAGO INDUSTRIES, INC.

DSNR:		ALL DIMENSIONS ARE IN MILLIMETERS	
DFTF:			
UNSPECIFIED TOLERANCES:	MATERIAL:		
WHOLE DIM (X) :			
ONE-PLACE (X.X) :			
TWO-PLACE (X.XX) :			
ANGLE :			
REFER TO ES0018 FOR FASTENER TIGHTENING GUIDELINES		WEIGHT: (LBS)	FIRST USED: (REF)
			17 E35F
DESCRIPTION:			
DRAINAGE SYSTEM INSTL			
SHEET:	ITEM/PART NO.:	REV	
1 OF 4	000005472 / 31231201000		



TOILET PLATFORM



SECTION BA-BA

SINK-LAV
 000026369 / 315733-01-CHT
 STRAINER
 106116-01-CHT
 SEAL
 091255-03-000
 (1300)

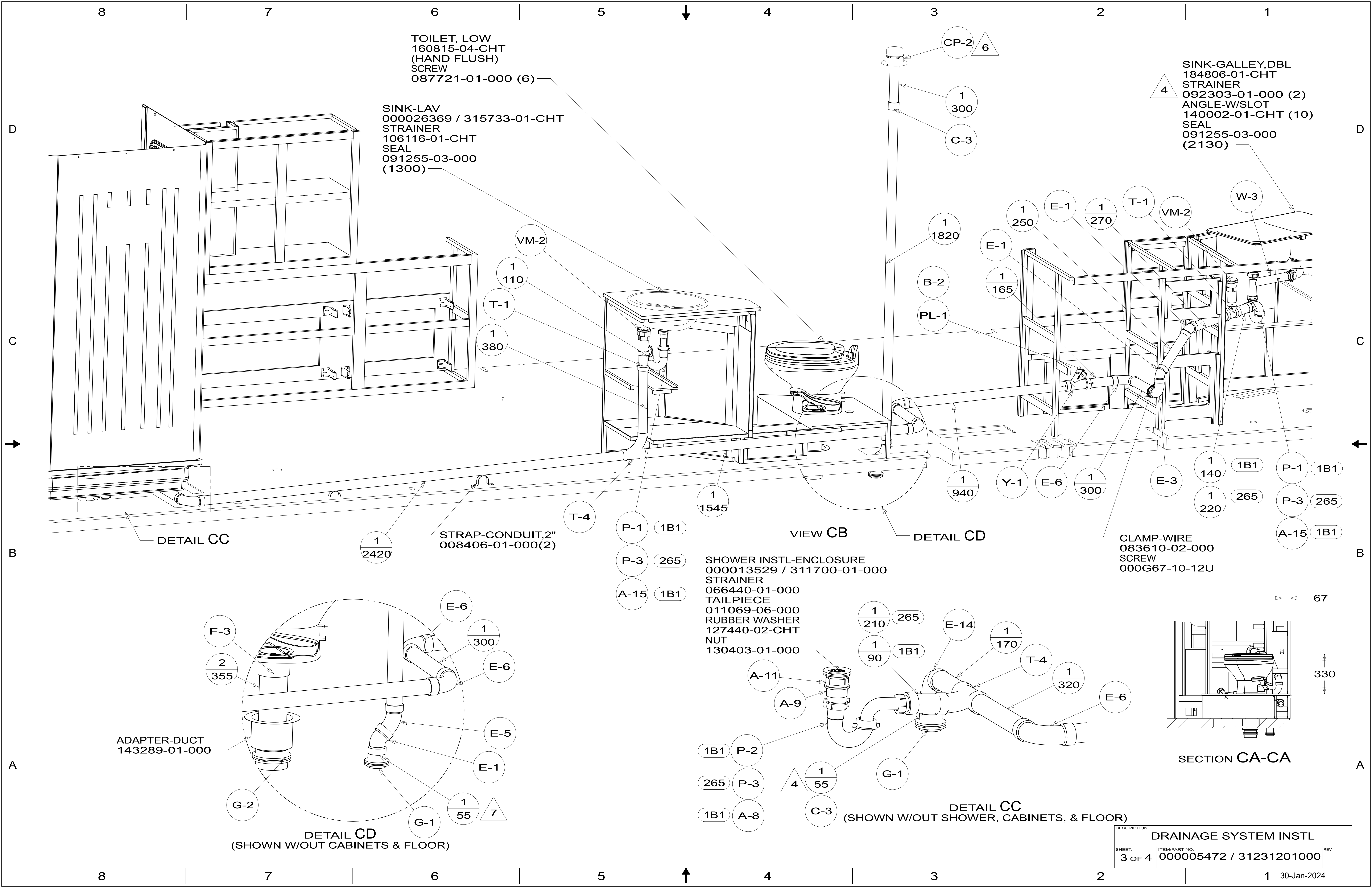
STRAP-CONDUIT, 2"
 008406-01-000
 SCREW
 000G39-08-12U (2)

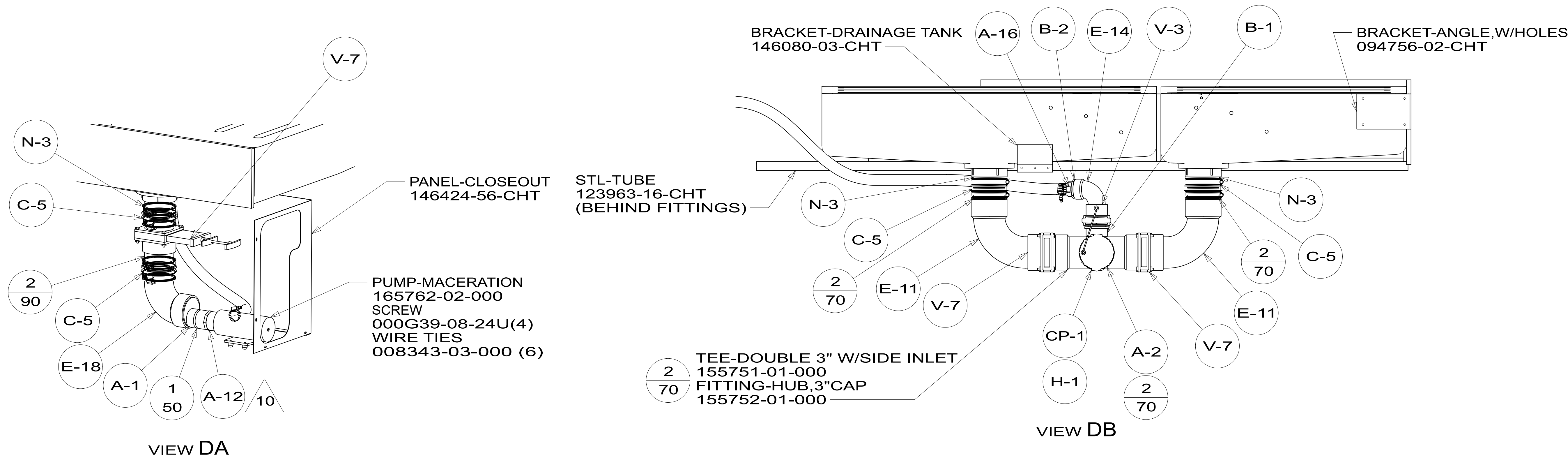
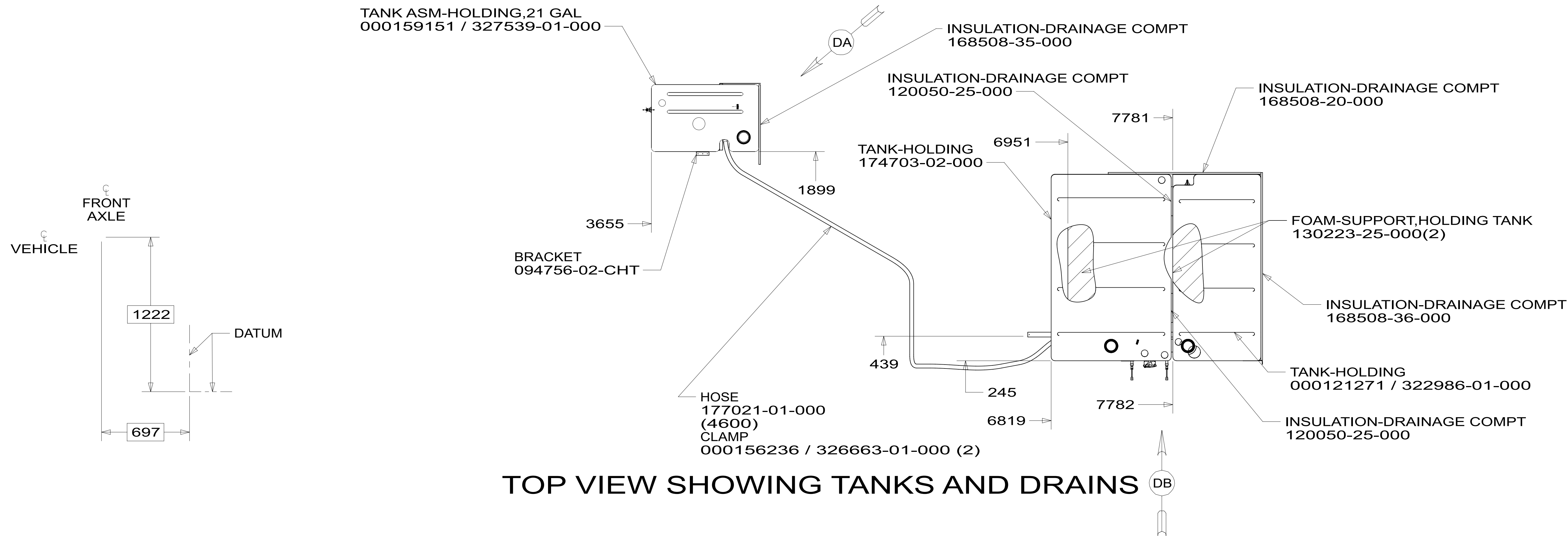
TOILET, LOW
 160815-04-CHT
 (HAND FLUSH)
 SCREW
 087721-01-000 (6)

STRAP-CONDUIT, 2"
 008406-01-000 (2)

STRAP-CONDUIT, 2"
 008406-01-000
 SCREW
 000G39-08-12U (2)

DESCRIPTION:		
DRAINAGE SYSTEM INSTL		
SHEET:	ITEM/PART NO.:	REV
2 OF 4	000005472 / 31231201000	
		30-Jan-2024





DESCRIPTION: DRAINAGE SYSTEM INSTL		
SHEET: 4 OF 4	ITEM/PART NO: 000005472 / 31231201000	REV
30-Jan-2024		