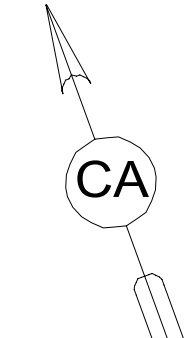
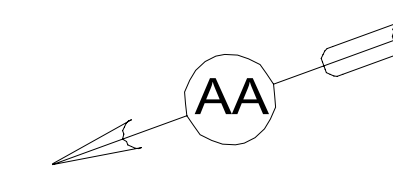
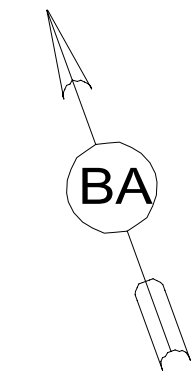
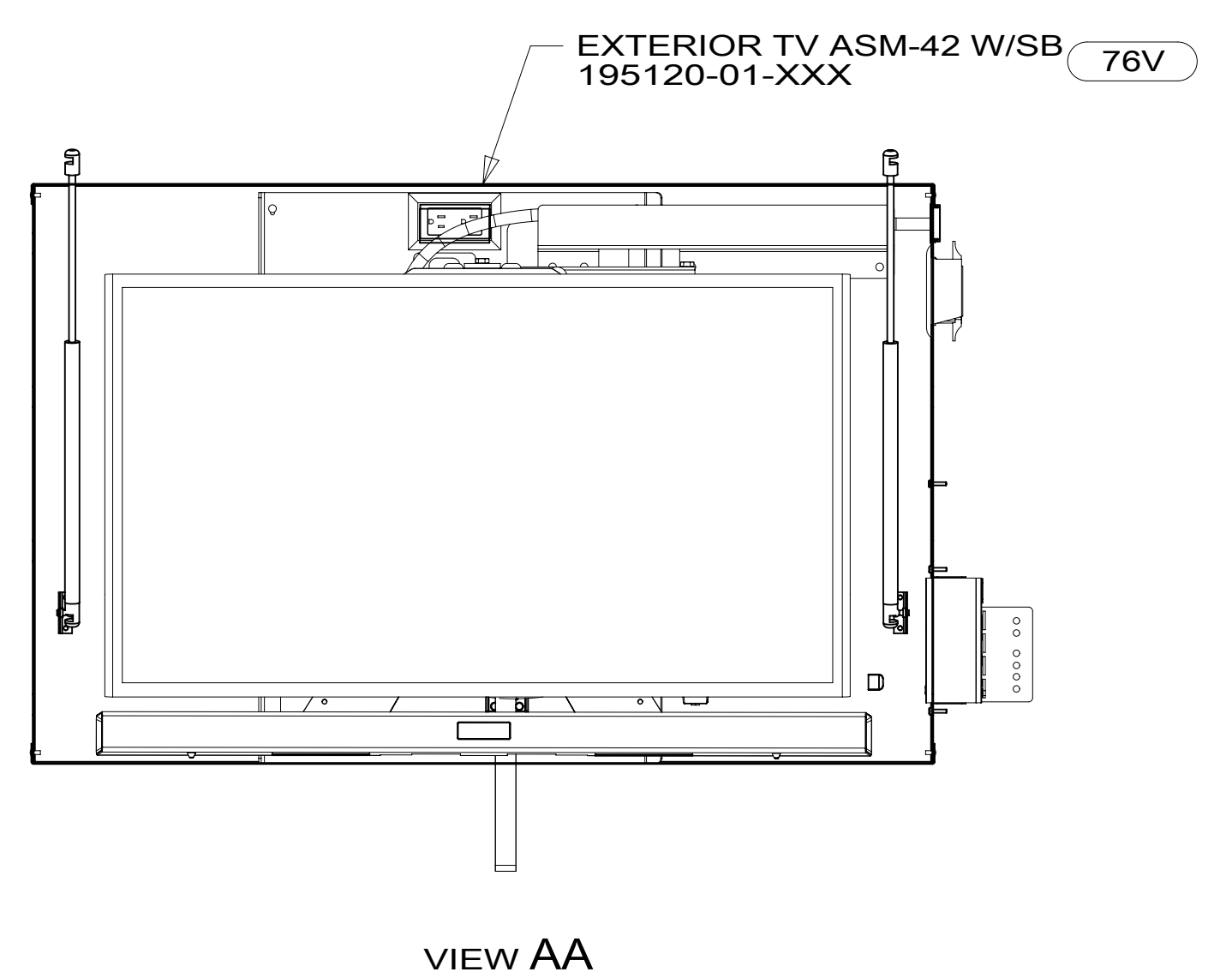
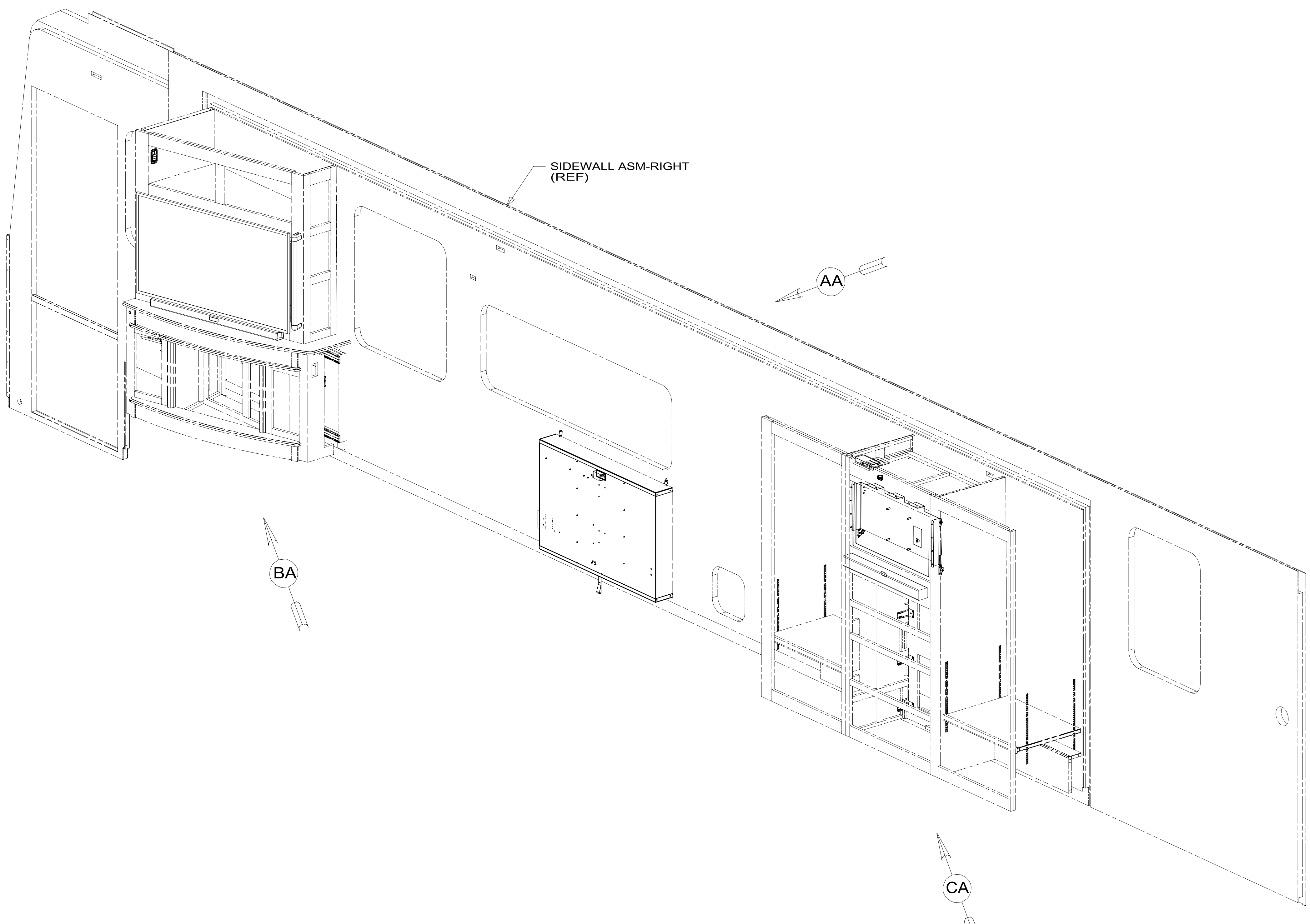


8 7 6 5 4 3 2 1



- 76V EXT ENT CTR W/TV & SOUNDBAR
- 265 CODES/STANDARDS-CSA/CMVSS
- 1B1 CODES/STANDARDS USA

1B1 265



DSNR:		ALL DIMENSIONS ARE IN MILLIMETERS	
DFFR:		MATERIAL:	
UNSPECIFIED TOLERANCES:			
WHOLE DIM (X)	: 3		
ONE-PLACE (X.X)	: 1.5		
TWO-PLACE (X.XX)	: 0.50		
ANGLE	: 1°		
REFER TO ES0018 FOR FASTENER TIGHTENING GUIDELINES		WEIGHT: (LBS)	FIRST USED:
			17 P42E
DESCRIPTION:			
WIRING INSTL-AV, COACH			
SHEET:	ITEM/PART NO.:	REV	
1 OF 3	000004819 / 31218601000		
REF:		1 19-Dec-2016	

FOR ELECTRICAL TORQUE SPECIFICATIONS SEE DWG NO. 128783-01-000

FOR ELECTRICAL CALLOUTS SEE DWG NO. 121339-01-000

8 7 6 5 4 3 2 1

D

D

C

C

B

B

A

A

TV-50,FLAT  
PANEL ELED, HDTV  
194671-01-000  
BOLT  
OMC31K-08-025 (4)  
WASHER  
156569-01-CHT (4)

SPEAKER-SOUNDBAR W/SUB  
195118-01-000  
BRACKET-SOUNDBAR,  
SAMSUNG,HW-J450  
000008688 / 310880-01-CHT  
SCREW  
G11-08-12U (3)  
SCREW  
OMG02U-04-010 (2)

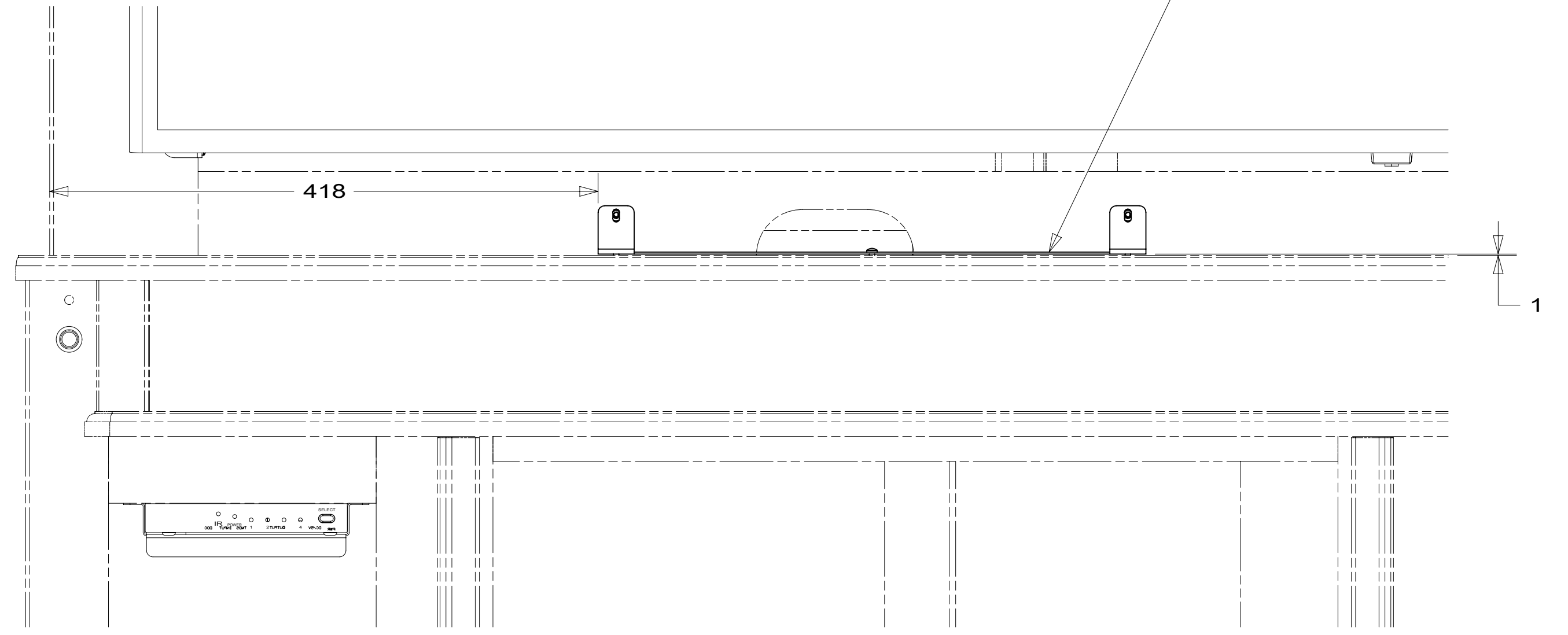
MATRIX-HDMI,IR  
REC IN-WALL  
180504-08-000

MATRIX-HDMI,BALUN  
180504-07-000  
BRACKET-MOUNTING,  
RECEIVER  
180543-03-CHT  
SCREW  
G11-08-12U (2)

BRACKET ASM INSTL-TV,50"SAMSUNG  
000002342 / 310056-01-XXX

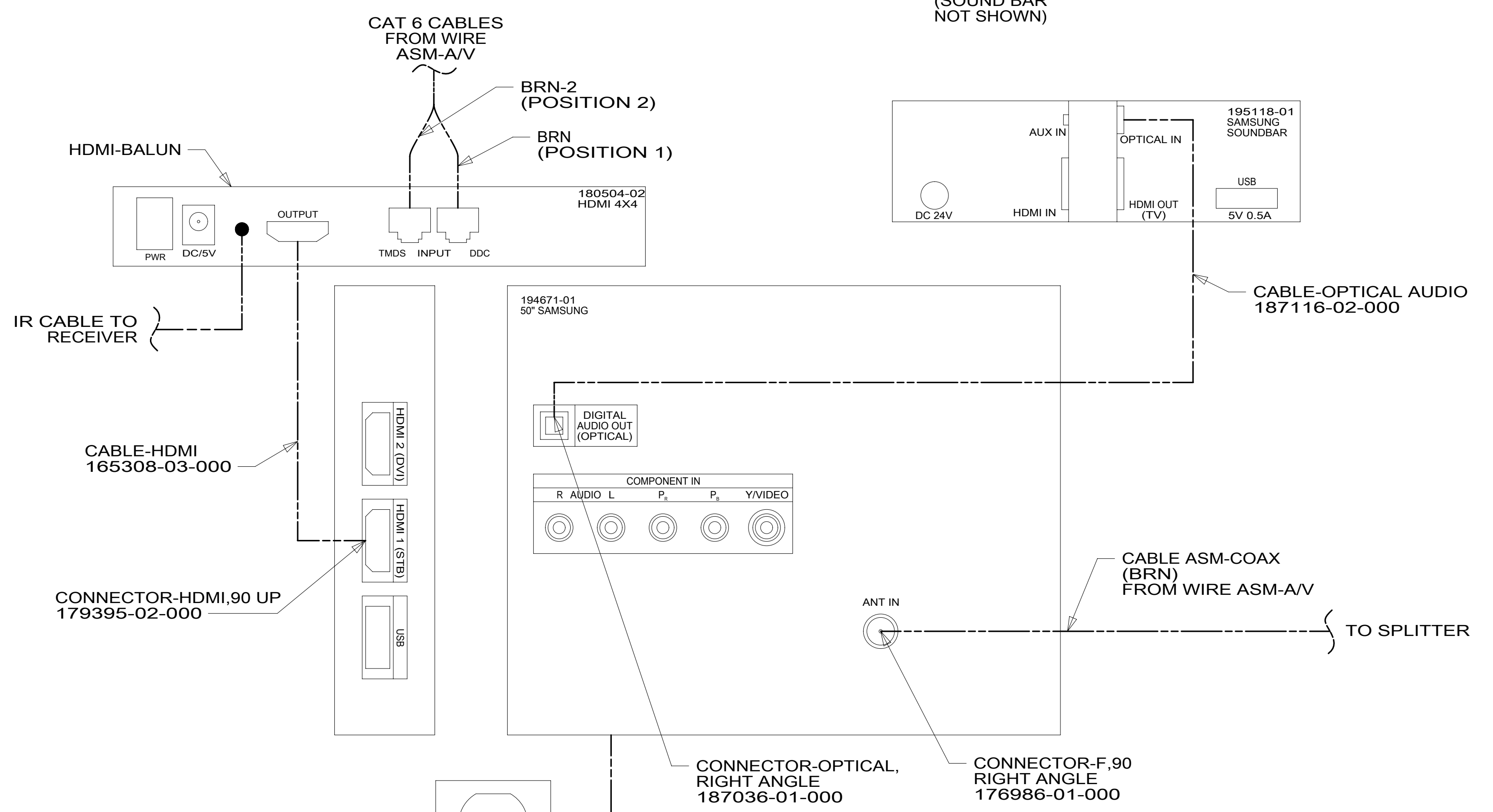
CLAMP  
10497-10-000 (2)  
SCREW  
G11-08-10U (2)

LEVEL BRACKET  
& ATTACH TO  
CABINET HERE



VIEW BA

VIEW BB  
(SOUND BAR  
NOT SHOWN)



VIEW BC

1 USE TIE-WIRE 8343-04-000 TO ATTACH WIRE ASM TO HOLES IN BRACKET ASM INSTL-TV,50"SAMSUNG.

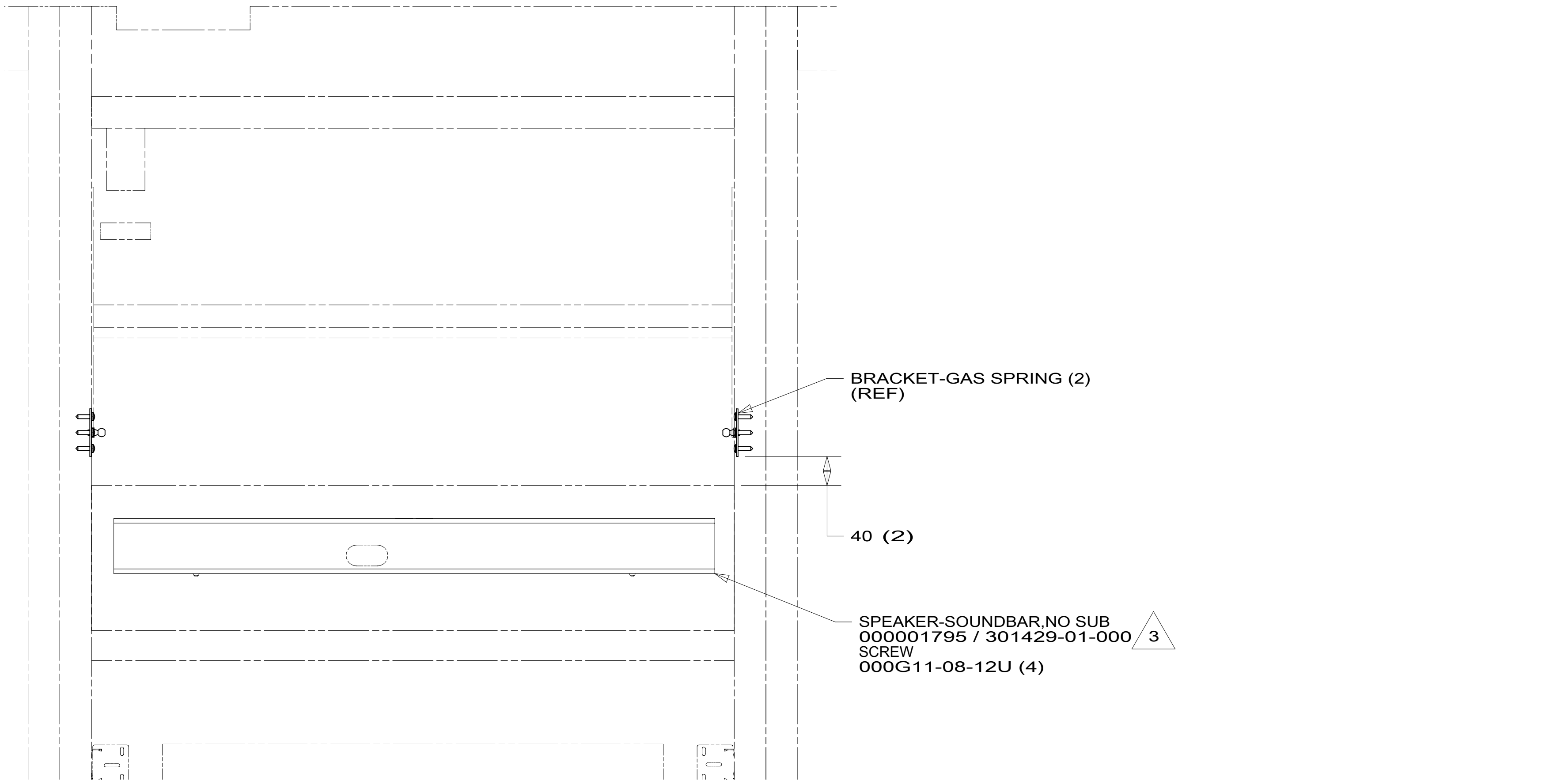
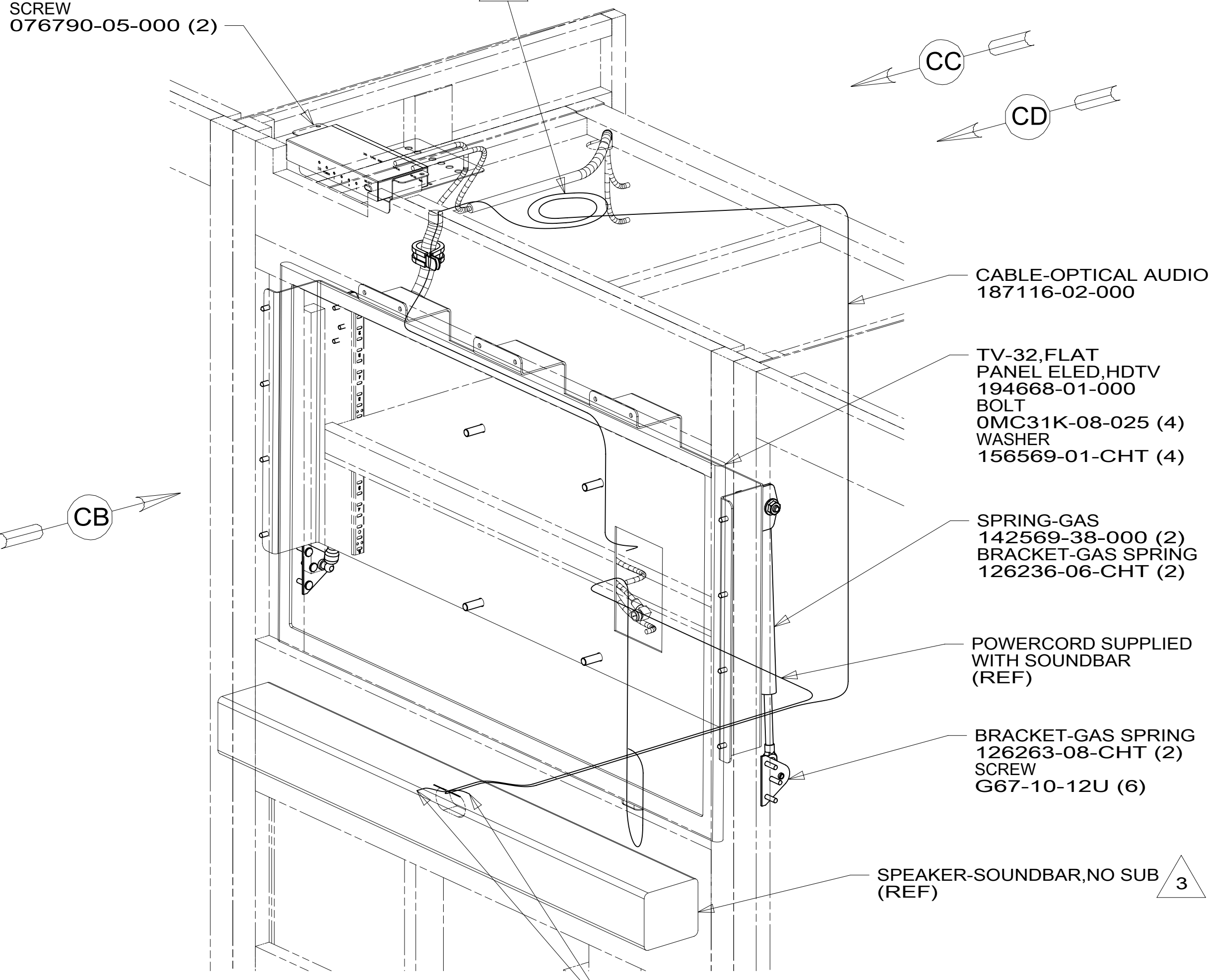
FOR ELECTRICAL TORQUE SPECIFICATIONS SEE DWG NO. 128783-01-000

FOR ELECTRICAL CALLOUTS SEE DWG NO. 121339-01-000

265 CODES/STANDARDS-CSA/CMVSS  
1B1 CODES/STANDARDS USA

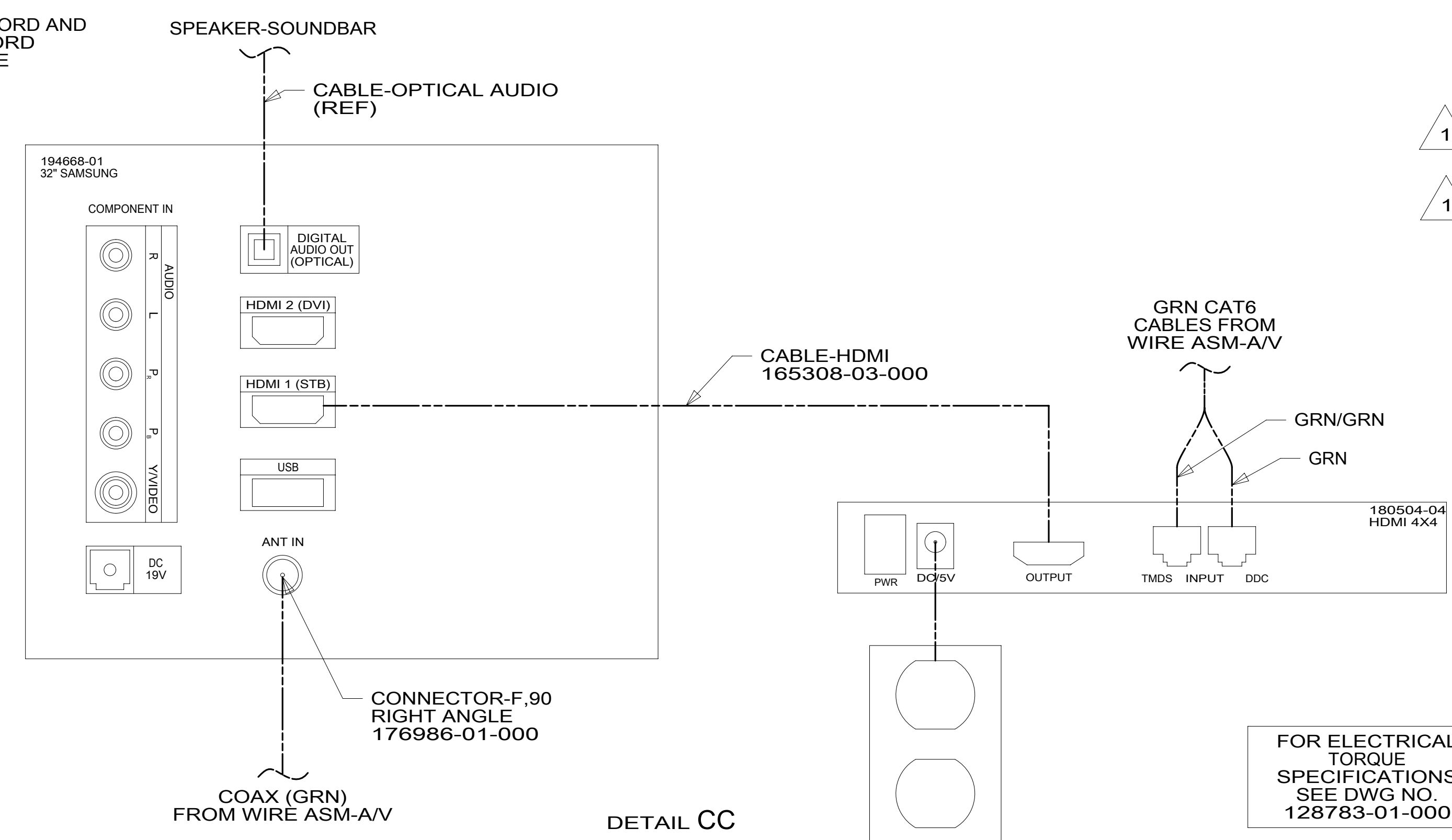
DESCRIPTION: <b>WIRING INSTL-AV,COACH</b>	
SHEET: 2 OF 3	ITEM/PART NO: 000004819 / 31218601000
REV	

MATRIX-HDMI,BALUN GEN 2  
180504-07-000  
BRACKET-MOUNTING,RECEIVER  
180543-03-CHT  
SCREW  
076790-05-000 (2)

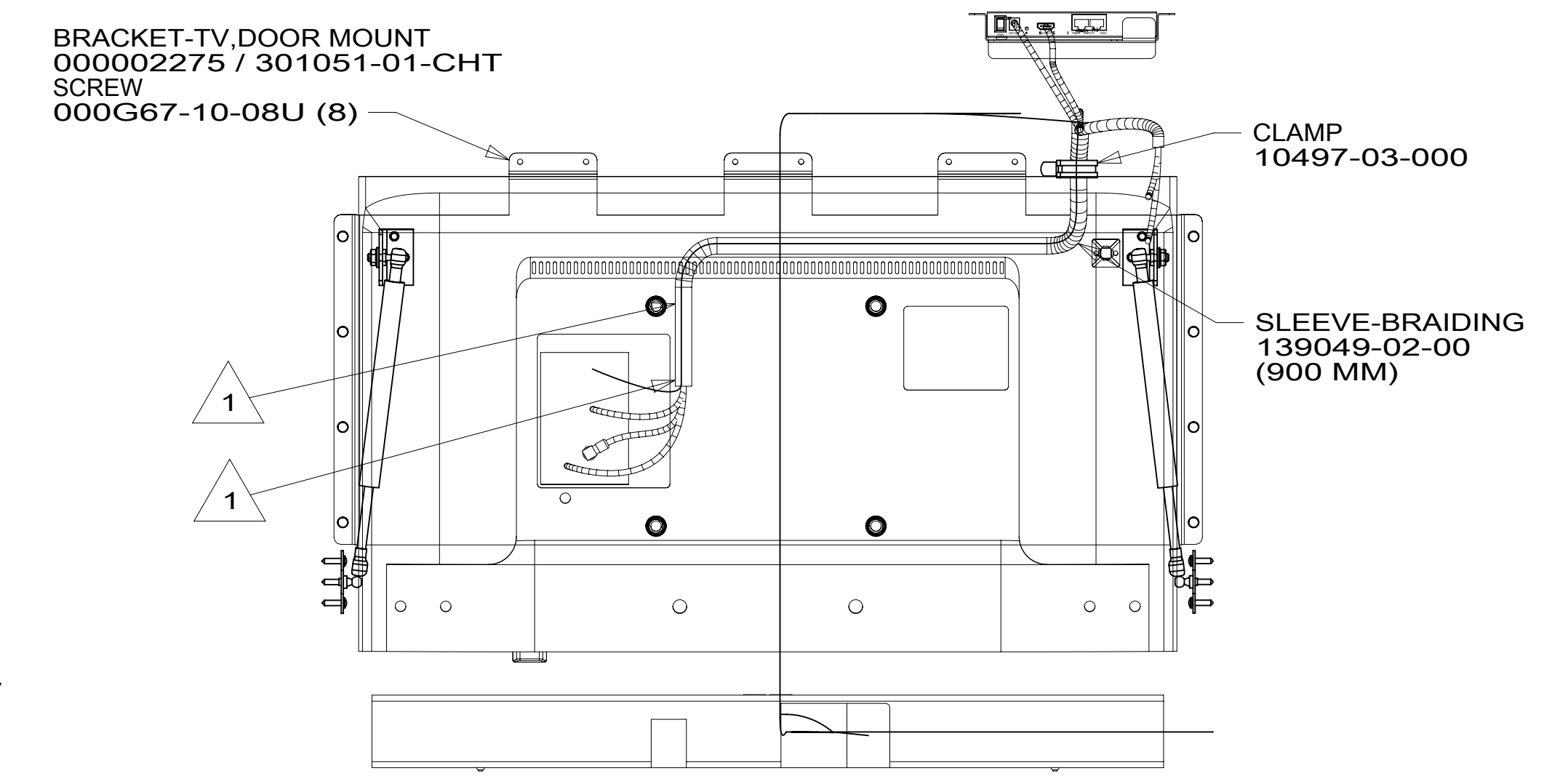


VIEW CB  
(TV NOT SHOWN)

VIEW CA



DETAIL CC



VIEW CD

- NOTES:
- 3 MOUNT SUPPLIED BRACKETS WITH SCREWS CALLED OUT SO SPEAKER IS CENTERED 40 MM BELOW TV.
  - 2 COIL EXCESS CABLE HERE.
  - 1 USE TIE-WIRE 8343-04-000 TO ATTACH WIRE ASM TO HOLES IN BRACKET ASM-MOUNT,TV.

- 265 CODES/STANDARDS-CSA/CMVSS
- 1B1 CODES/STANDARDS USA

FOR ELECTRICAL TORQUE SPECIFICATIONS SEE DWG NO. 128783-01-000

FOR ELECTRICAL CALLOUTS SEE DWG NO. 121339-01-000

DESCRIPTION: <b>WIRING INSTL-A/V,COACH</b>		
SHEET: 3 OF 3	ITEM/PART NO: 000004819 / 31218601000	REV