

BRACKET-TV,32" INSIGNIA
000034781 / 317873-01-CHT
SCREW
000G39-10-16U (6)
SCREW
000G39-10-08U (2)
INVERTER ASM-155W W/ SOCKET
000034454 / 317778-01-XXX
SCREW
000G39-10-08U (4)

DVD PLAYER W/HDMI OUT
186774-01-000
BRACKET-DVD PLAYER
000014939 / 312122-01-CHT
SCREW
00067-10-12U (6)
FASTENER-DUAL LOCK
085774-01-000 (130 MM)
085774-02-000 (130 MM)

PLATE-MNTNG,TV,32" INSIGNIA
000034780 / 317872-01-CHT
SCREW
OMG02U-04-012 (4)
WASHER
OME02U-04-071 (4)
TAPE-FOAM
076322-22-000 (2 X 80 MM)
TAPE-FOAM
076322-23-000 (150 MM)

SCREW-PAN,HEAD
000G39-10-08U (2)

TV-32" HDTV
000031285 / 316939-01-000

SLIDEOUT ROOF

62

169 (2)
(REF)

VIEW AA
(TV NOT SHOWN)

FASTENER-DUAL LOCK
(REF)

VIEW AB

- NOTES:
- 3 PREP BOTH SURFACES WITH ADHESIVE-PROMOTER, 087211-01-000.
 - 2 ATTACH FASTENER-DUAL LOCK TO DVD PLAYER POSITIONED AS SHOWN.
 - 1 MOUNT TV BRACKET CENTERED BETWEEN CABINETS.

FOR ELECTRICAL
TORQUE
SPECIFICATIONS
SEE DWG NO.
128783-01-000

FOR ELECTRICAL
CALLOUTS
SEE DWG NO.
121339-01-000

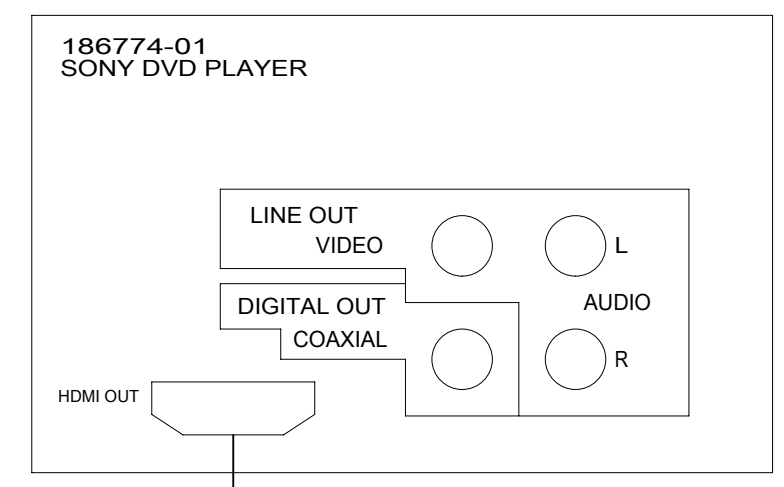
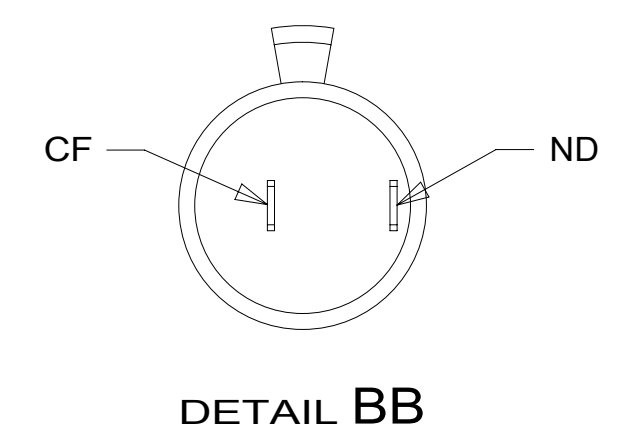
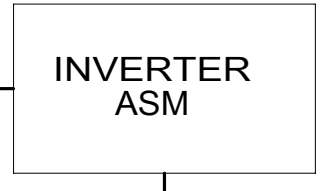
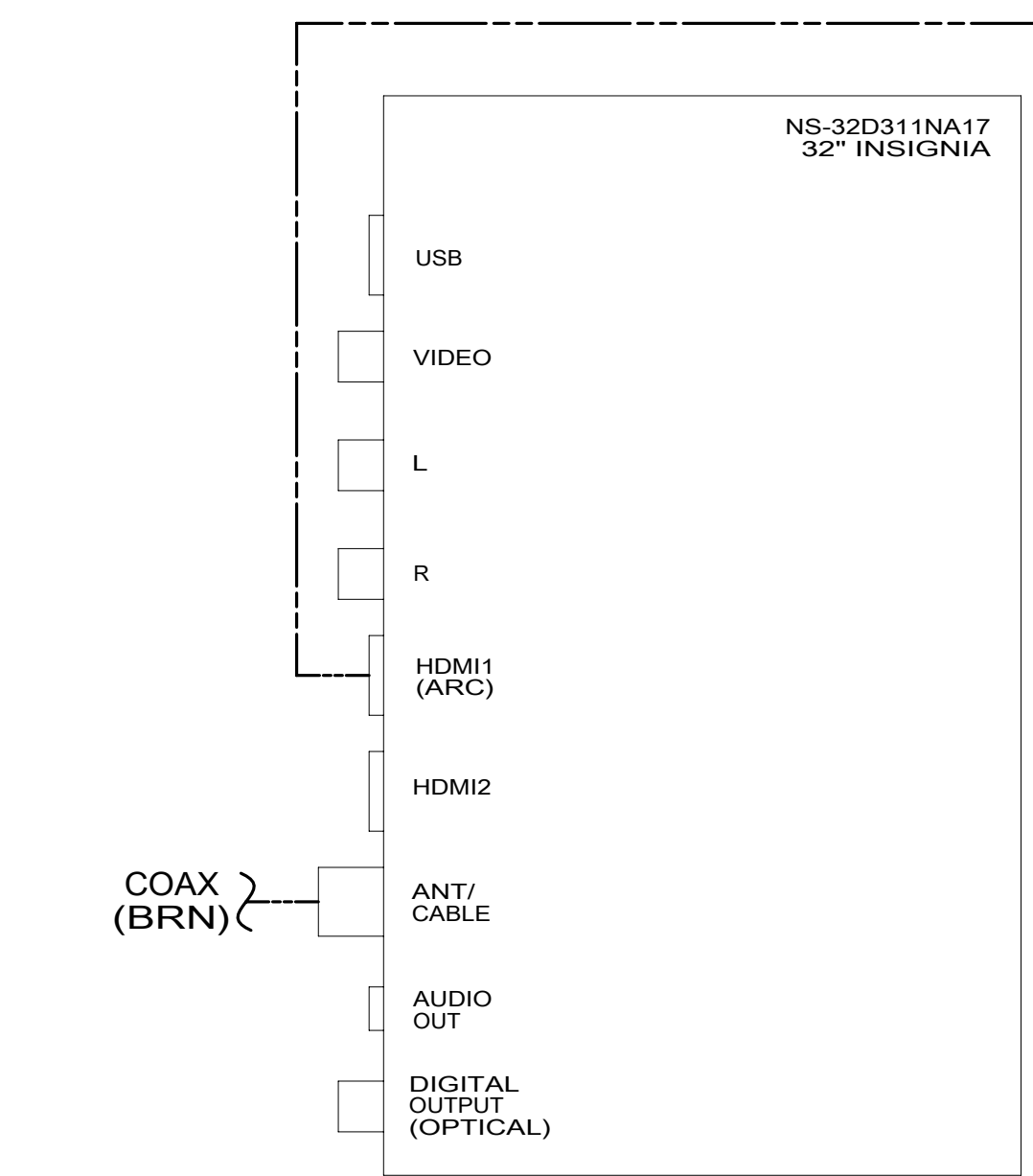
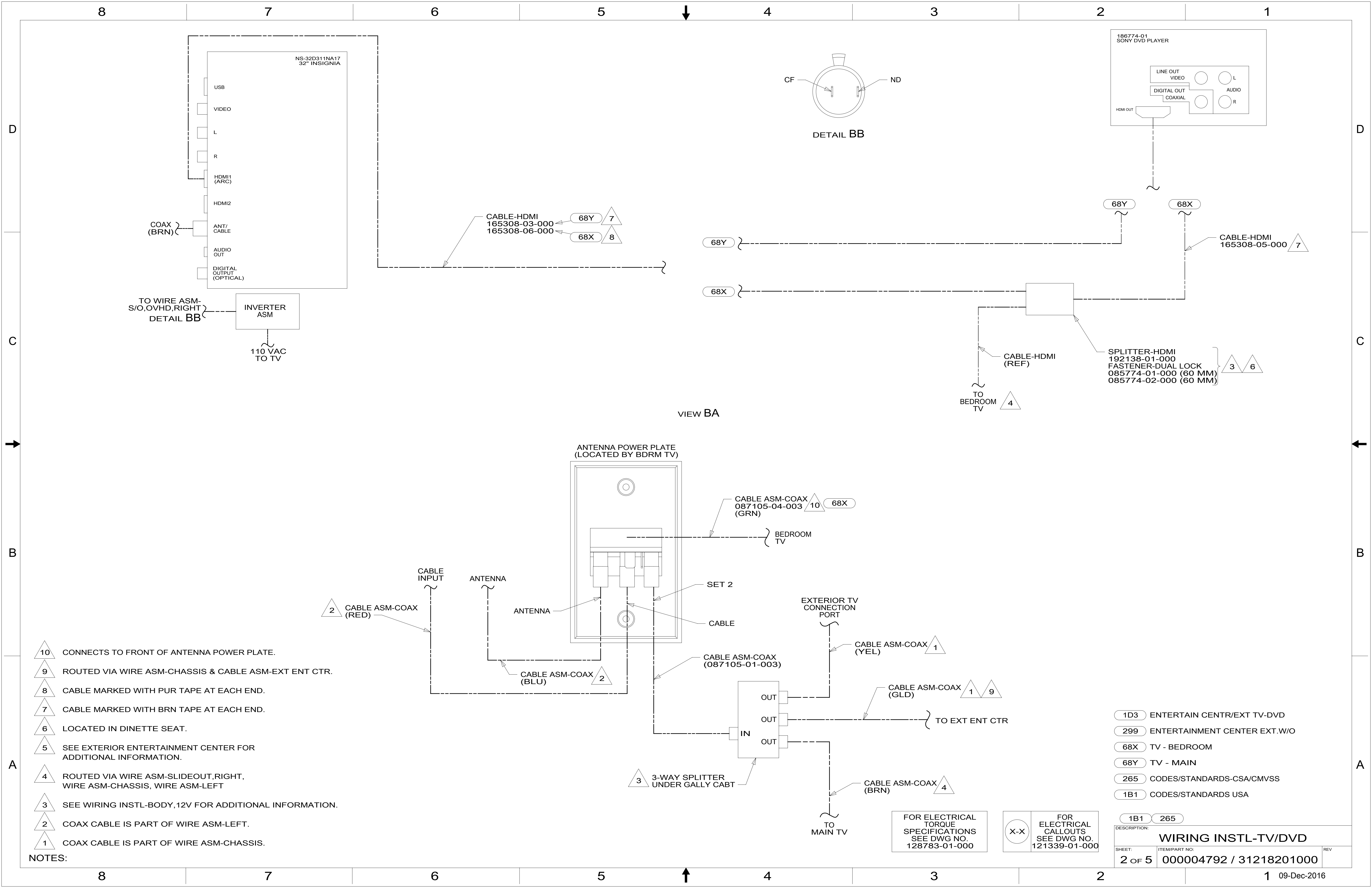
- 68Y TV - MAIN
- 265 CODES/STANDARDS-CSA/CMVSS
- 1B1 CODES/STANDARDS USA

1B1 265 68Y

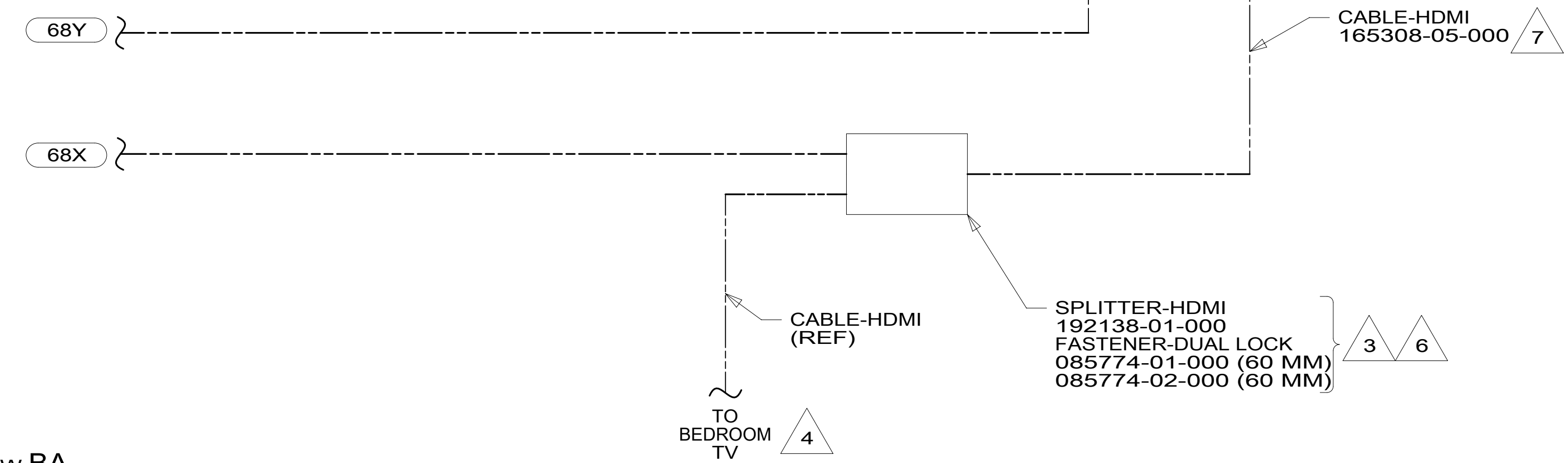
WINNEBAGO
COPYRIGHT 2016 WINNEBAGO INDUSTRIES, INC.

DSNR:		ALL DIMENSIONS ARE IN MILLIMETERS	
DIFFR:		MATERIAL:	
UNSPECIFIED TOLERANCES:			
WHOLE DIM (X)	: 3		
ONE-PLACE (X.X)	: 1.5		
TWO-PLACE (X.XX)	: 0.50		
ANGLE	: 1°		
REFER TO ES0018 FOR FASTENER TIGHTENING GUIDELINES		WEIGHT: (LBS)	FIRST USED:
			17 331D
DESCRIPTION: WIRING INSTL-TV/DVD			
SHEET:	ITEM/PART NO:	REV	
1 OF 5	000004792 / 31218201000		

REF: 1 09-Dec-2016

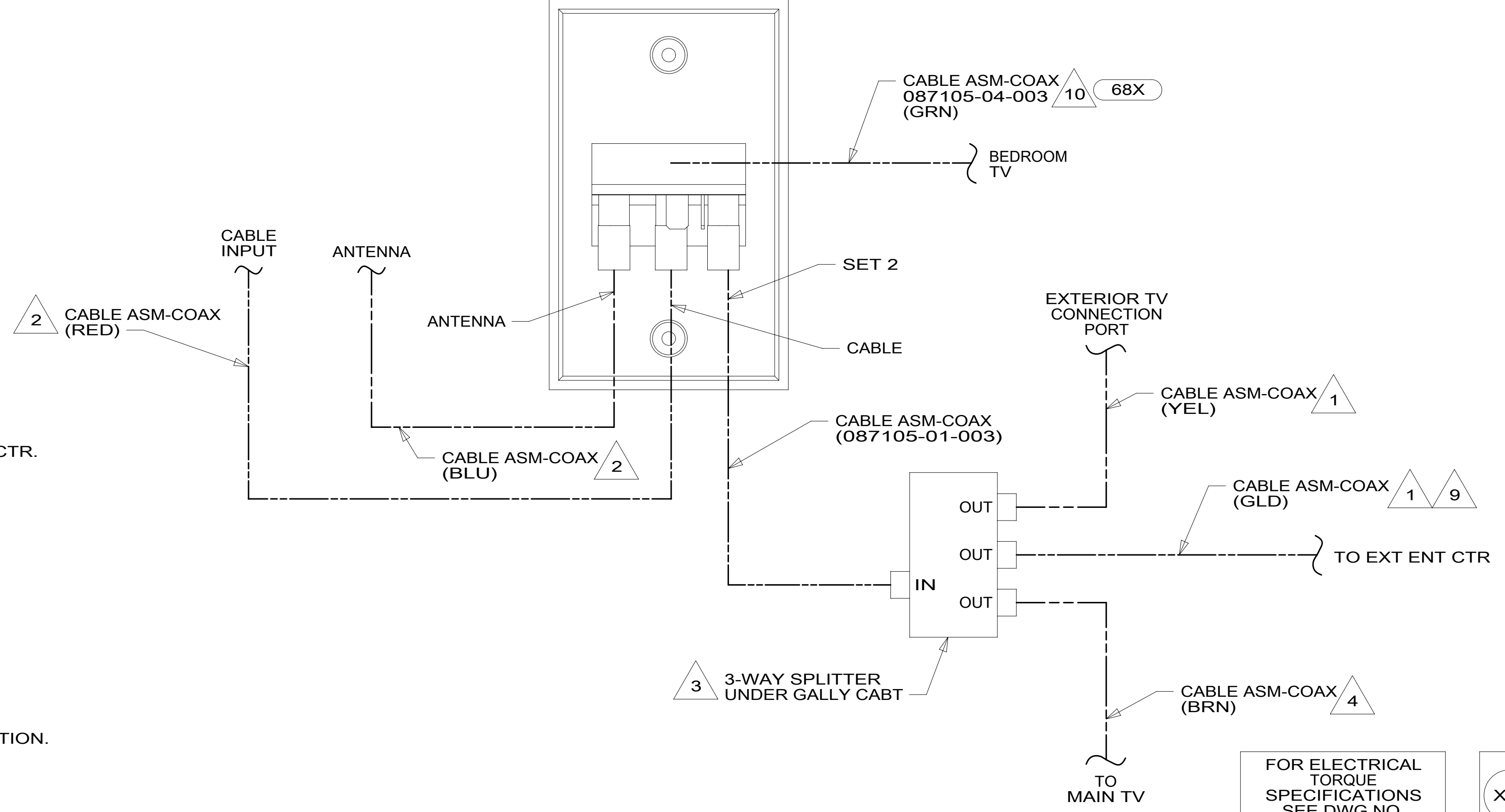


CABLE-HDMI
165308-03-000
165308-06-000



VIEW BA

ANTENNA POWER PLATE
(LOCATED BY BDRM TV)



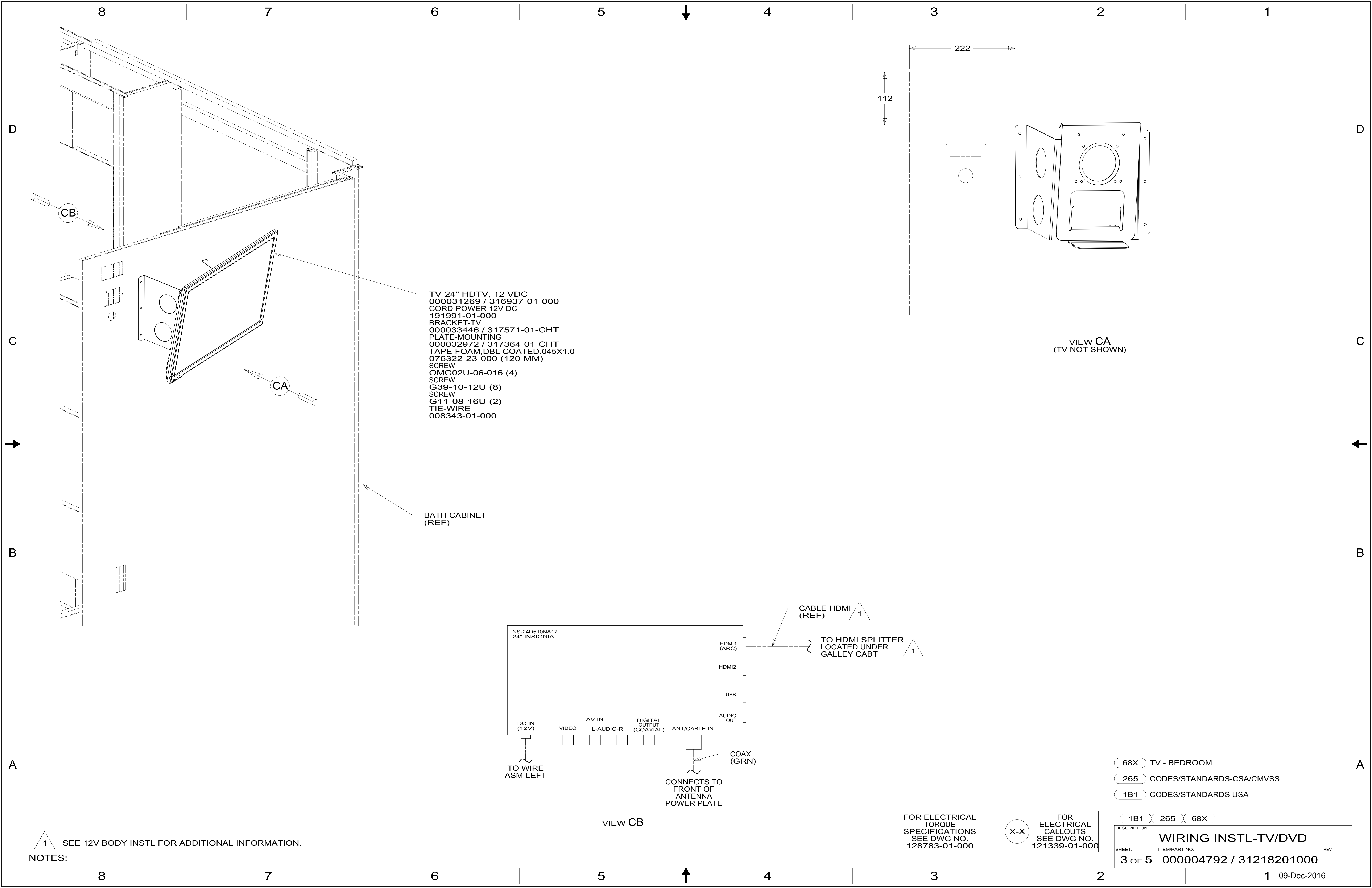
- NOTES:
- 10 CONNECTS TO FRONT OF ANTENNA POWER PLATE.
 - 9 ROUTED VIA WIRE ASM-CHASSIS & CABLE ASM-EXT ENT CTR.
 - 8 CABLE MARKED WITH PUR TAPE AT EACH END.
 - 7 CABLE MARKED WITH BRN TAPE AT EACH END.
 - 6 LOCATED IN DINETTE SEAT.
 - 5 SEE EXTERIOR ENTERTAINMENT CENTER FOR ADDITIONAL INFORMATION.
 - 4 ROUTED VIA WIRE ASM-SLIDEOUT,RIGHT, WIRE ASM-CHASSIS, WIRE ASM-LEFT
 - 3 SEE WIRING INSTL-BODY,12V FOR ADDITIONAL INFORMATION.
 - 2 COAX CABLE IS PART OF WIRE ASM-LEFT.
 - 1 COAX CABLE IS PART OF WIRE ASM-CHASSIS.

- 1D3 ENTERTAIN CENTR/EXT TV-DVD
- 299 ENTERTAINMENT CENTER EXT.W/O
- 68X TV - BEDROOM
- 68Y TV - MAIN
- 265 CODES/STANDARDS-CSA/CMVSS
- 1B1 CODES/STANDARDS USA

FOR ELECTRICAL TORQUE SPECIFICATIONS SEE DWG NO. 128783-01-000

FOR ELECTRICAL CALLOUTS SEE DWG NO. 121339-01-000

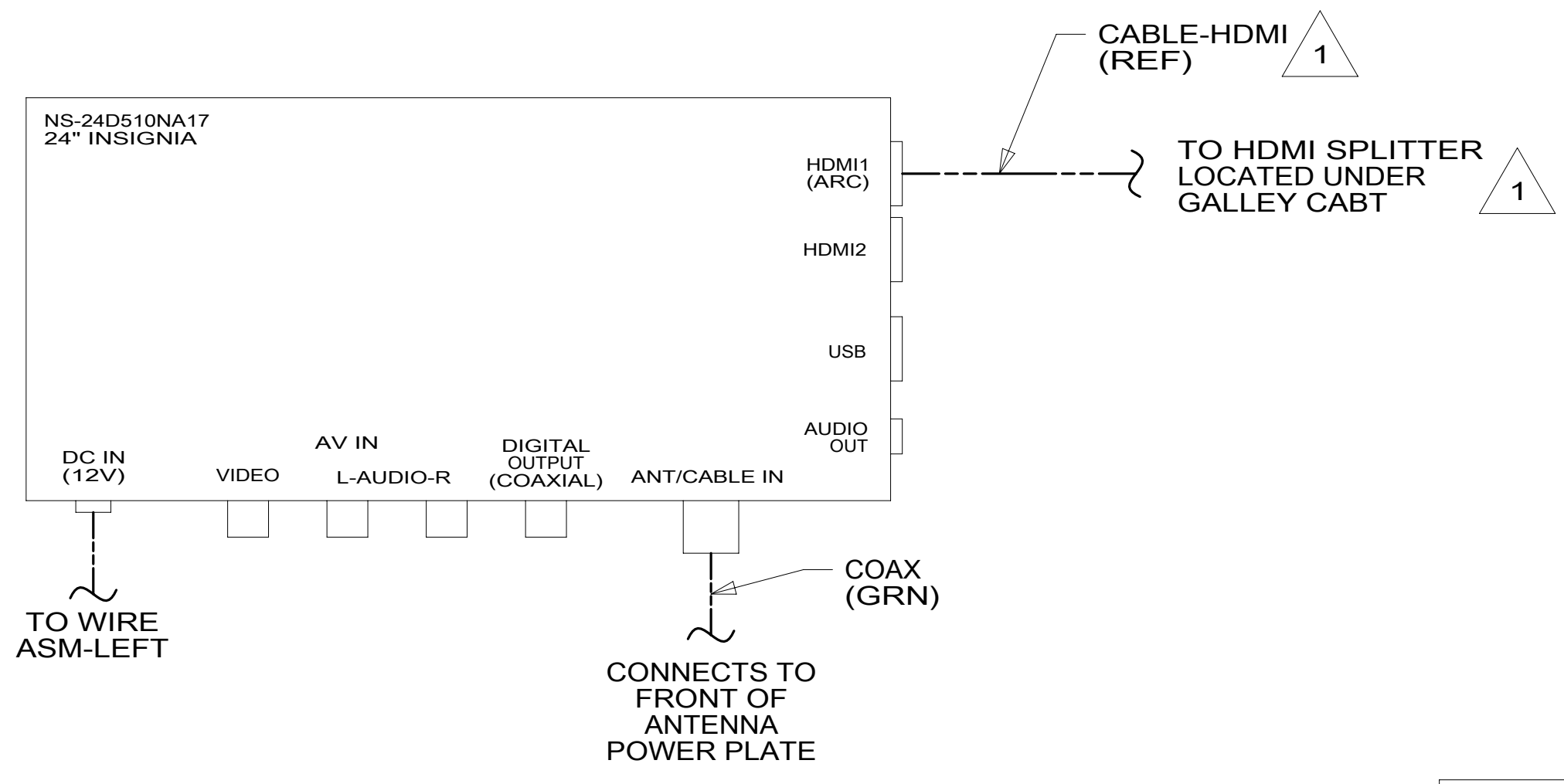
DESCRIPTION: WIRING INSTL-TV/DVD		
SHEET: 2 OF 5	ITEM/PART NO.: 000004792 / 31218201000	REV



- TV-24" HDTV, 12 VDC
000031269 / 316937-01-000
- CORD-POWER 12V DC
191991-01-000
- BRACKET-TV
000033446 / 317571-01-CHT
- PLATE-MOUNTING
000032972 / 317364-01-CHT
- TAPE-FOAM, DBL COATED, 0.45X1.0
076322-23-000 (120 MM)
- SCREW
OMG02U-06-016 (4)
- SCREW
G39-10-12U (8)
- SCREW
G11-08-16U (2)
- TIE-WIRE
008343-01-000

BATH CABINET
(REF)

VIEW CA
(TV NOT SHOWN)



VIEW CB

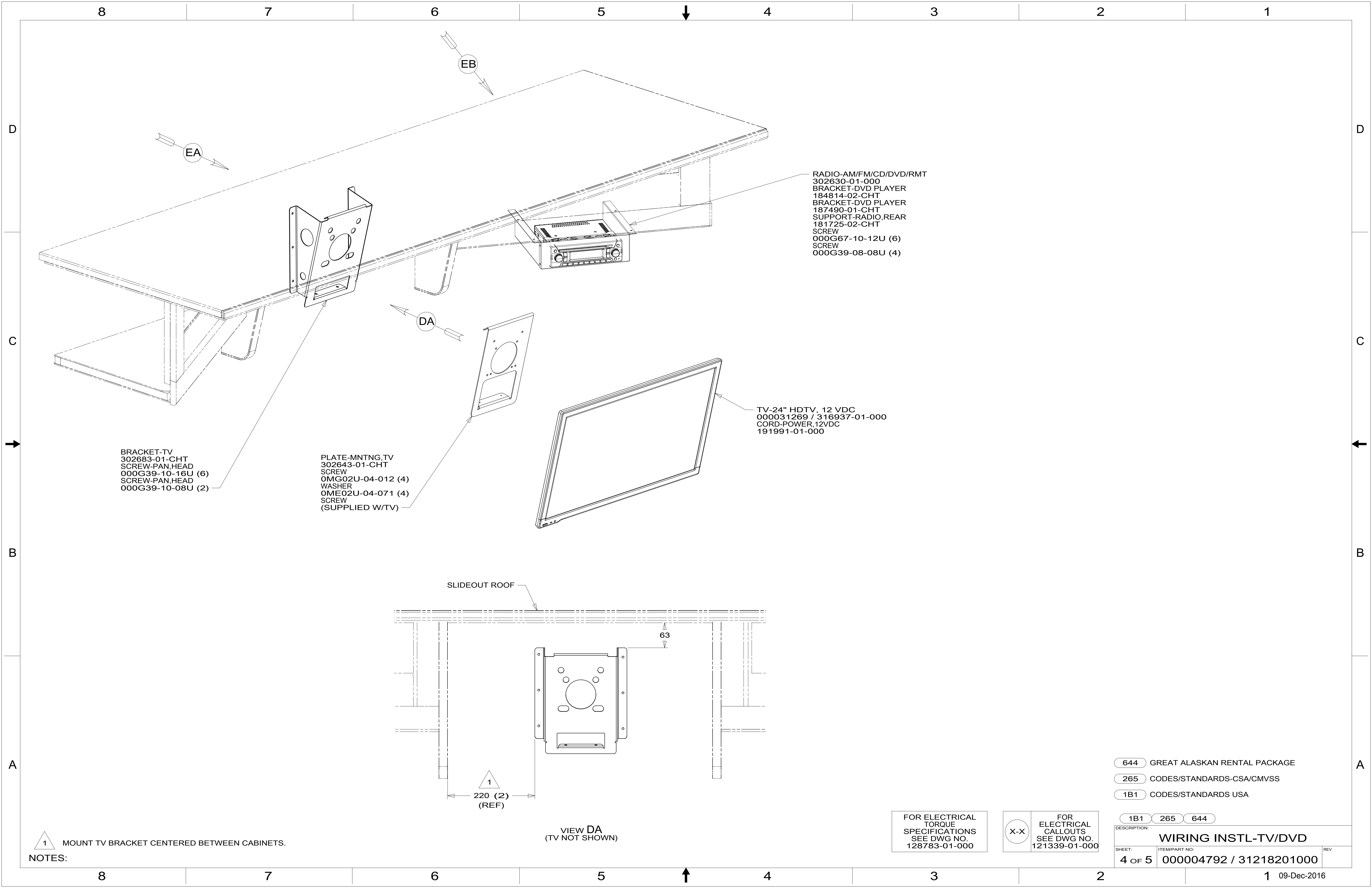
NOTES:
1 SEE 12V BODY INSTL FOR ADDITIONAL INFORMATION.

FOR ELECTRICAL TORQUE SPECIFICATIONS SEE DWG NO. 128783-01-000

FOR ELECTRICAL CALLOUTS SEE DWG NO. 121339-01-000

- 68X TV - BEDROOM
- 265 CODES/STANDARDS-CSA/CMVSS
- 1B1 CODES/STANDARDS USA

DESCRIPTION: WIRING INSTL-TV/DVD		
SHEET: 3 OF 5	ITEM/PART NO: 000004792 / 31218201000	REV



RADIO-AM/FM/CD/DVD/RMT
 302630-01-000
 BRACKET-DVD PLAYER
 184814-02-CHT
 BRACKET-DVD PLAYER
 187490-01-CHT
 SUPPORT-RADIO,REAR
 181725-02-CHT
 SCREW
 000G67-10-12U (6)
 SCREW
 000G39-08-08U (4)

TV-24" HDTV, 12 VDC
 000031269 / 316937-01-000
 CORD-POWER,12VDC
 191991-01-000

BRACKET-TV
 302683-01-CHT
 SCREW-PAN,HEAD
 000G39-10-16U (6)
 SCREW-PAN,HEAD
 000G39-10-08U (2)

PLATE-MNTNG,TV
 302643-01-CHT
 SCREW
 OMG02U-04-012 (4)
 WASHER
 OME02U-04-071 (4)
 SCREW
 (SUPPLIED W/TV)

SLIDEOUT ROOF

63

1
 220 (2)
 (REF)

VIEW DA
 (TV NOT SHOWN)

644 GREAT ALASKAN RENTAL PACKAGE

265 CODES/STANDARDS-CSA/CMVSS

1B1 CODES/STANDARDS USA

1B1 265 644

DESCRIPTION:
WIRING INSTL-TV/DVD

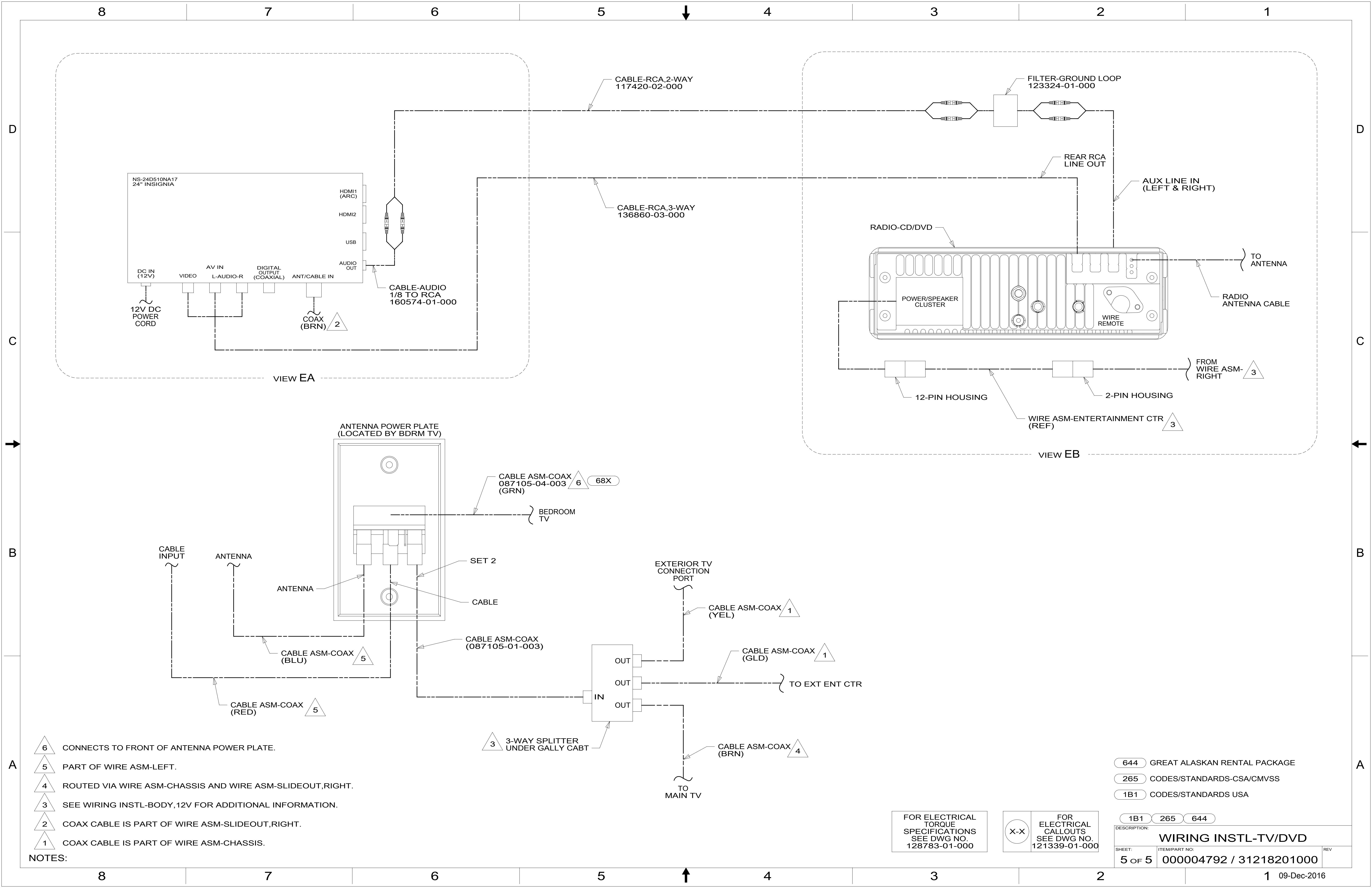
SHEET: 4 OF 5 ITEM/PART NO: 000004792 / 31218201000 REV

FOR ELECTRICAL
 TORQUE
 SPECIFICATIONS
 SEE DWG NO.
 128783-01-000

FOR ELECTRICAL
 CALLOUTS
 SEE DWG NO.
 121339-01-000

1 MOUNT TV BRACKET CENTERED BETWEEN CABINETS.

NOTES:



- △ 6 CONNECTS TO FRONT OF ANTENNA POWER PLATE.
- △ 5 PART OF WIRE ASM-LEFT.
- △ 4 ROUTED VIA WIRE ASM-CHASSIS AND WIRE ASM-SLIDEOUT, RIGHT.
- △ 3 SEE WIRING INSTL-BODY, 12V FOR ADDITIONAL INFORMATION.
- △ 2 COAX CABLE IS PART OF WIRE ASM-SLIDEOUT, RIGHT.
- △ 1 COAX CABLE IS PART OF WIRE ASM-CHASSIS.

NOTES:

FOR ELECTRICAL TORQUE SPECIFICATIONS SEE DWG NO. 128783-01-000

FOR ELECTRICAL CALLOUTS SEE DWG NO. 121339-01-000

- 644 GREAT ALASKAN RENTAL PACKAGE
- 265 CODES/STANDARDS-CSA/CMVSS
- 1B1 CODES/STANDARDS USA

DESCRIPTION: WIRING INSTL-TV/DVD		
SHEET: 5 OF 5	ITEM/PART NO: 000004792 / 31218201000	REV