

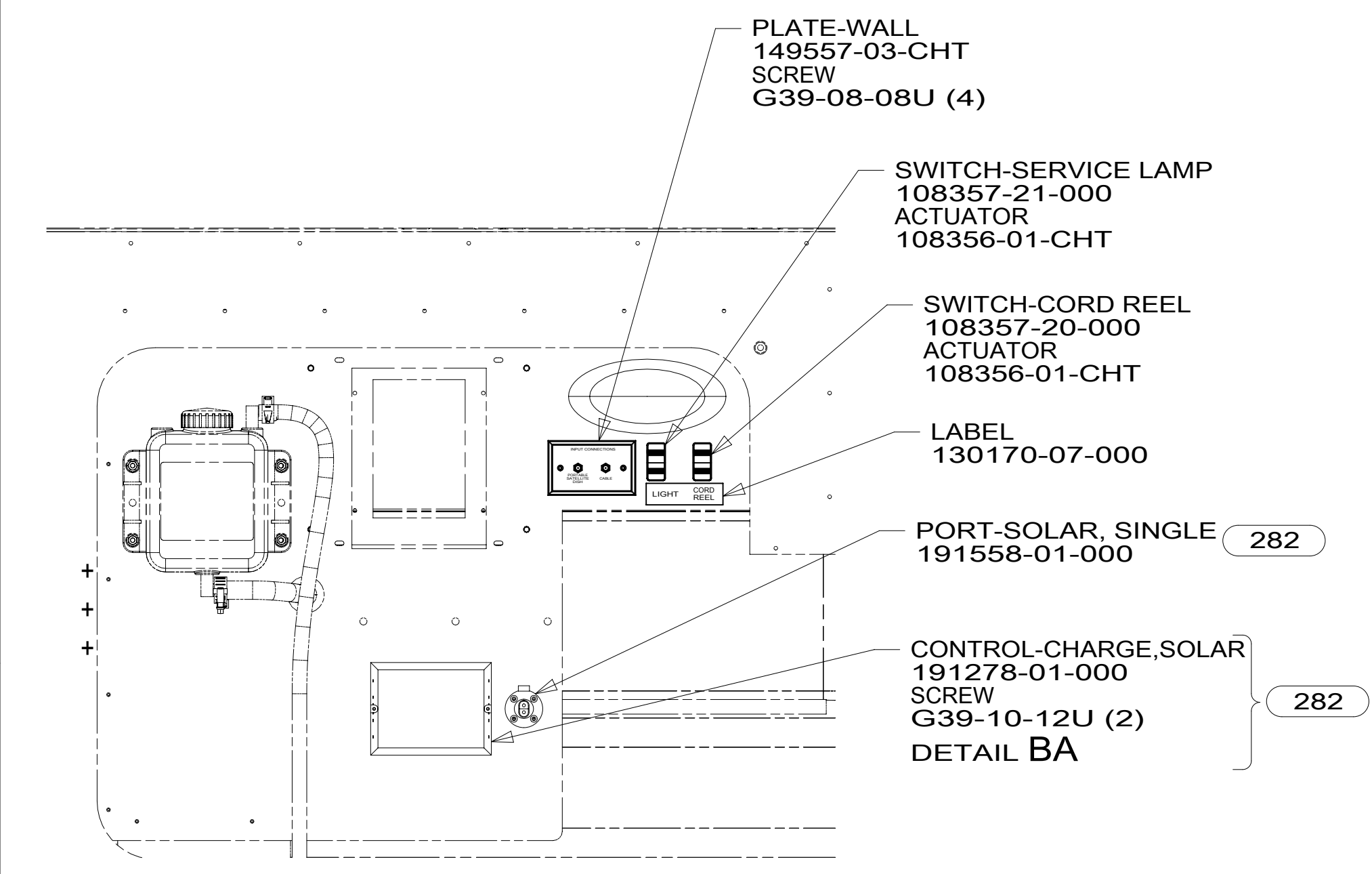
8 7 6 5 4 3 2 1

D

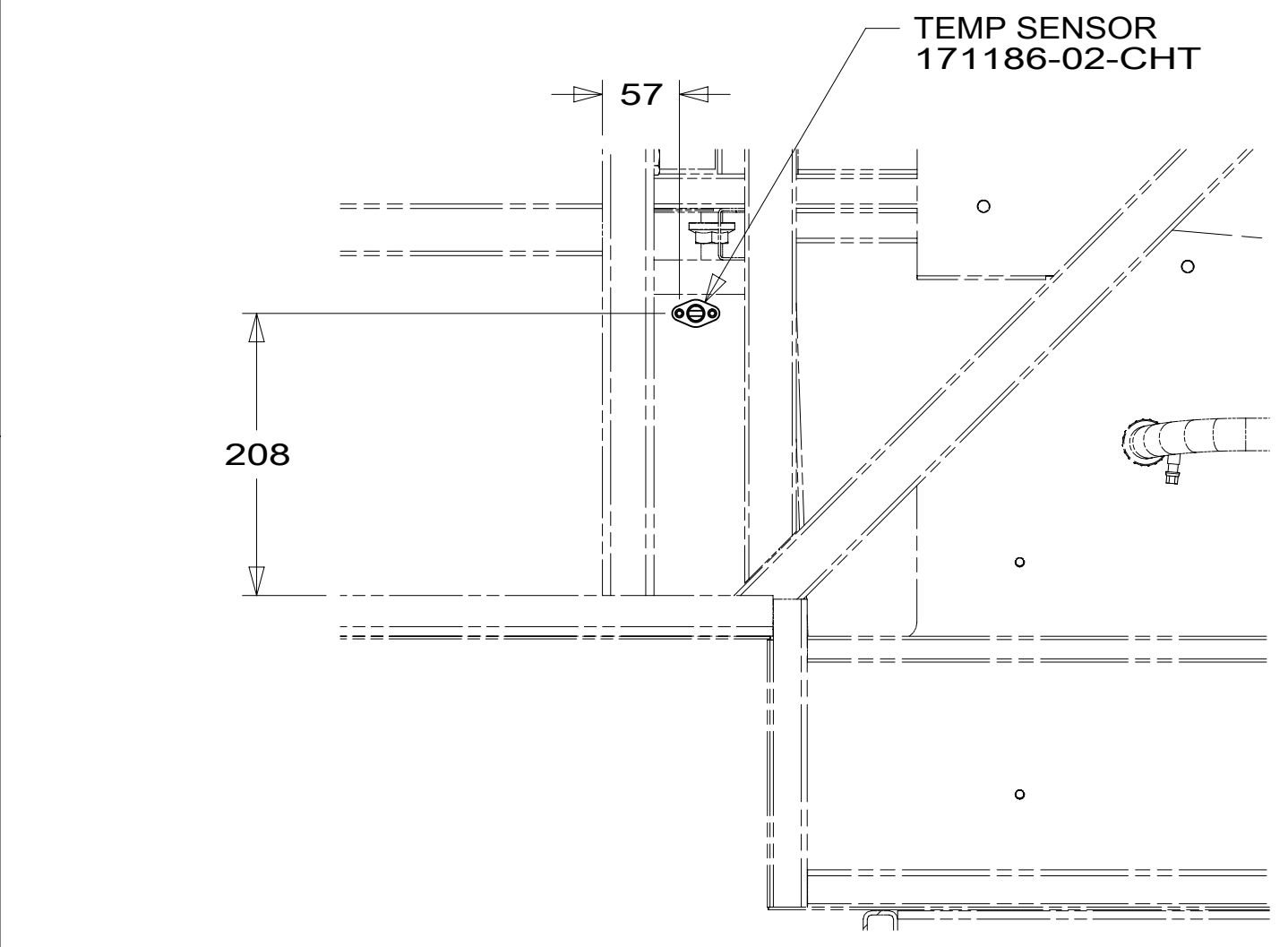
C

B

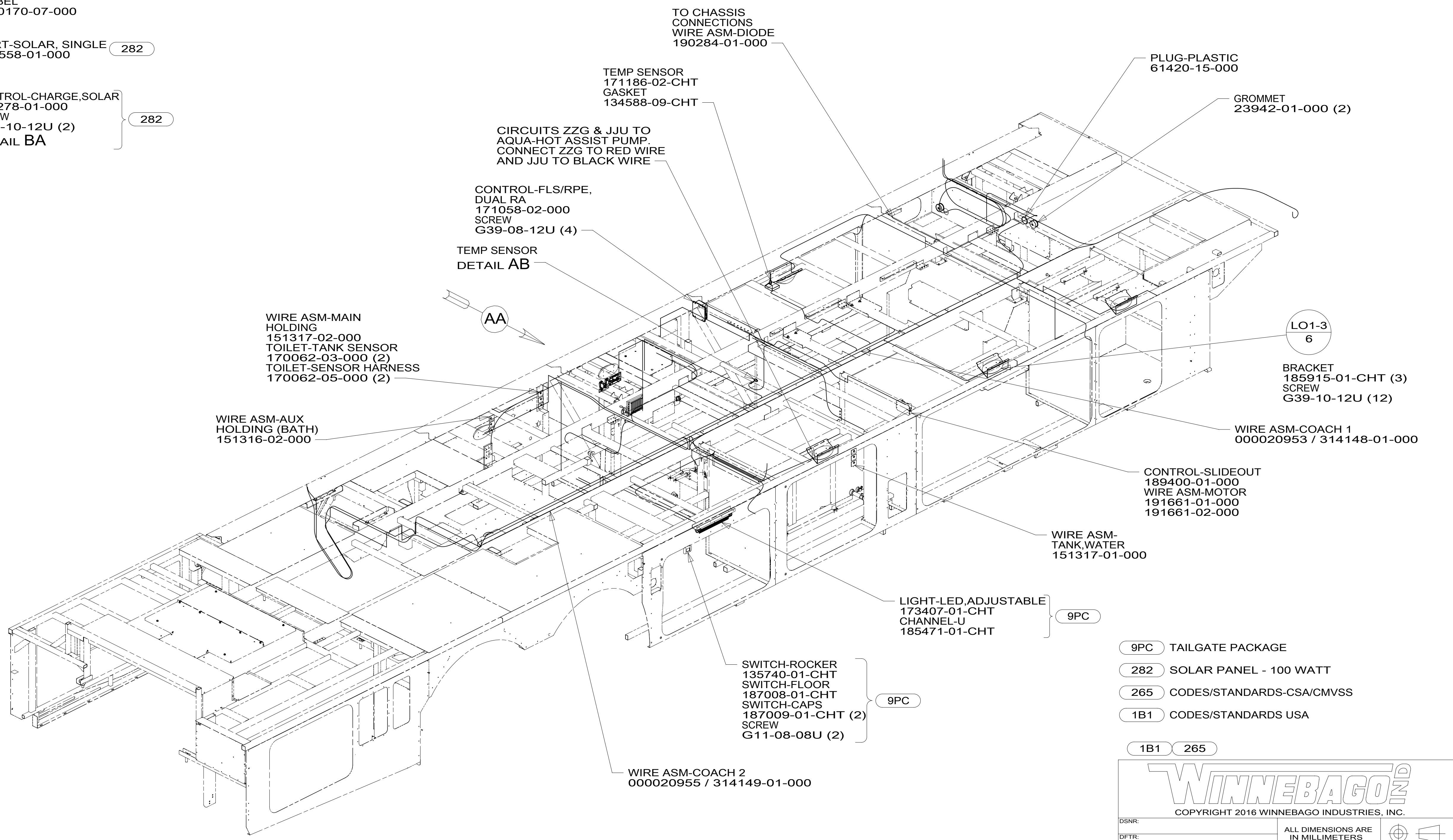
A



VIEW AA



VIEW AB



- NOTES:
1. AT MINIMUM ALL WIRES TO BE SUPPORTED AND SECURED PER CODE REQUIREMENTS. USE CLAMP 10495 OR 10497 OR WIRE TIE 8343 OR 108046 AND SCREW G67-XX-XXX OR G56-XX-XXX AS APPROPRIATE FOR INSTALLATION.
 2. ROUTE TANK SENSOR WIRES SO THEY DO NOT PASS OVER SENSORS. USE WIRE TIE MOUNT 155366-01-000 AND WIRE TIE 8343-01-000 AS NEEDED. TANK SURFACE MUST BE CLEANED USING ISOPROPYL ALCOHOL AND PRIMED WITH PRIMER 94.

FOR ELECTRICAL TORQUE SPECIFICATIONS SEE DWG NO. 128783-01-000

FOR ELECTRICAL CALLOUTS SEE DWG NO. 121339-01-000

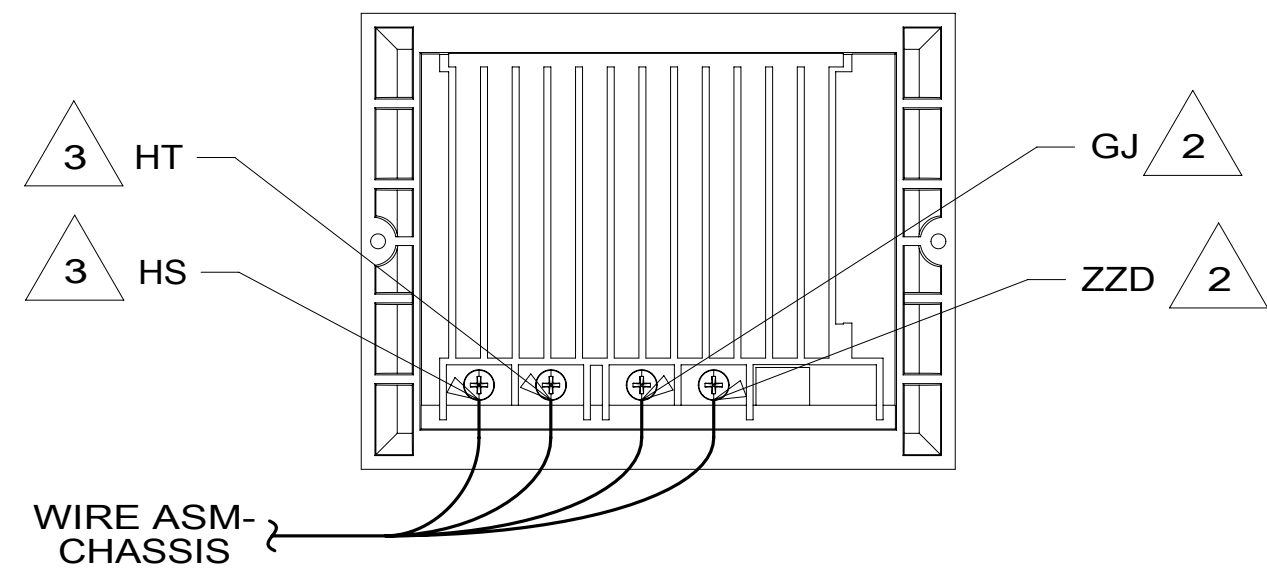
- 9PC TAILGATE PACKAGE
- 282 SOLAR PANEL - 100 WATT
- 265 CODES/STANDARDS-CSA/CMVSS
- 1B1 CODES/STANDARDS USA
- 1B1 265



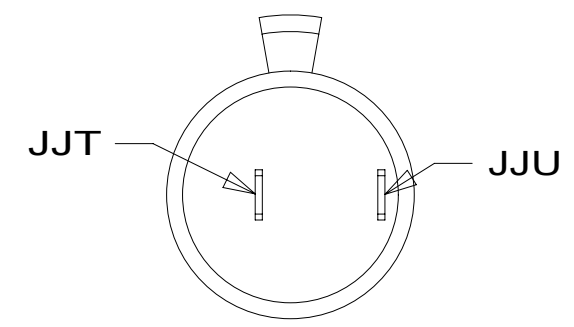
DSNR:		ALL DIMENSIONS ARE IN MILLIMETERS	
DIFFR:		MATERIAL:	
UNSPECIFIED TOLERANCES:			
WHOLE DIM (X)	± 3		
ONE-PLACE (X.X)	± 1.5		
TWO-PLACE (X.XX)	± 0.50		
ANGLE	± 1°		
REFER TO ES0018 FOR FASTENER TIGHTENING GUIDELINES		WEIGHT: (LBS)	FIRST USED:
			16 R42QL
DESCRIPTION:			
WIRING INSTL-BODY, 12V			
SHEET:	ITEM/PART NO:	REV	
1 OF 10	000004408 / 30160201000		
REF:		1 08-May-2017	

8 7 6 5 4 3 2 1

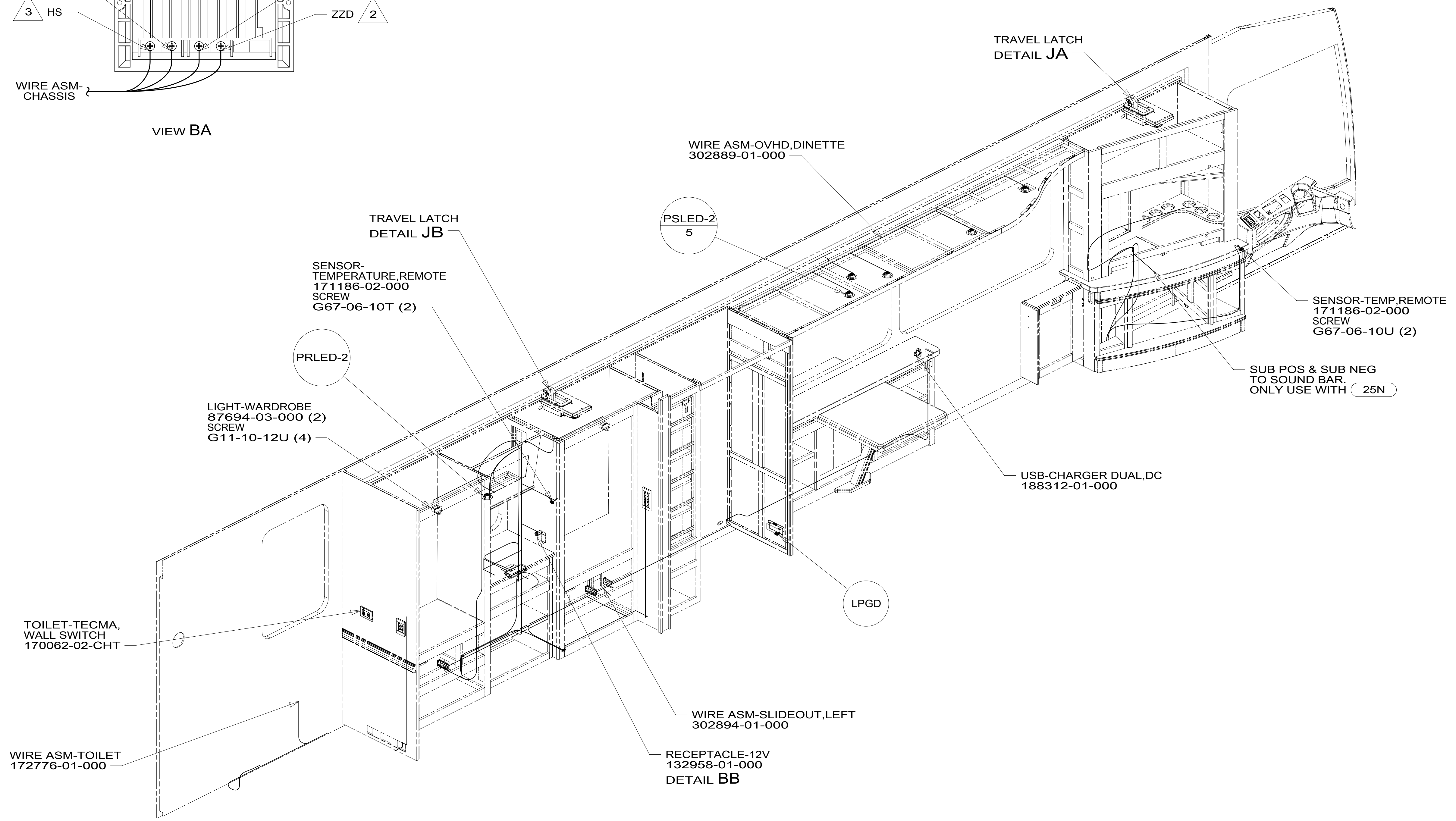
8 7 6 5 4 3 2 1



VIEW BA



DETAIL BB



TOILET-TECMA,
WALL SWITCH
170062-02-CHT

WIRE ASM-TOILET
172776-01-000

LIGHT-WARDROBE
87694-03-000 (2)
SCREW
G11-10-12U (4)

PRLED-2

SENSOR-TEMPERATURE,REMOTE
171186-02-000
SCREW
G67-06-10T (2)

TRAVEL LATCH
DETAIL JB

PSLED-2
5

WIRE ASM-OVHD,DINETTE
302889-01-000

LPGD

WIRE ASM-SLIDEOUT,LEFT
302894-01-000

RECEPTACLE-12V
132958-01-000
DETAIL BB

USB-CHARGER DUAL,DC
188312-01-000

SUB POS & SUB NEG
TO SOUND BAR.
ONLY USE WITH 25N

SENSOR-TEMP,REMOTE
171186-02-000
SCREW
G67-06-10U (2)

TRAVEL LATCH
DETAIL JA

- 3 MARKED WITH RED TAPE.
- 2 MARKED WITH WHITE TAPE.

1. AT MINIMUM ALL WIRES TO BE SUPPORTED AND SECURED PER CODE REQUIREMENTS. USE CLAMP 10495 OR 10497 OR WIRE TIE 8343 OR 108046 AND SCREW G67-XX-XXX OR G56-XX-XXX AS APPROPRIATE FOR INSTALLATION.

NOTES:

FOR ELECTRICAL TORQUE SPECIFICATIONS SEE DWG NO. 128783-01-000

FOR ELECTRICAL CALLOUTS SEE DWG NO. 121339-01-000

- 25N HOME THEATER SOUNDBAR SYSTEM
- 265 CODES/STANDARDS-CSA/CMVSS
- 1B1 CODES/STANDARDS USA

1B1 265

DESCRIPTION: WIRING INSTL-BODY, 12V		
SHEET: 2 OF 10	ITEM/PART NO: 000004408 / 30160201000	REV

8 7 6 5 4 3 2 1 08-May-2017

8 7 6 5 4 3 2 1

D
C
B
A

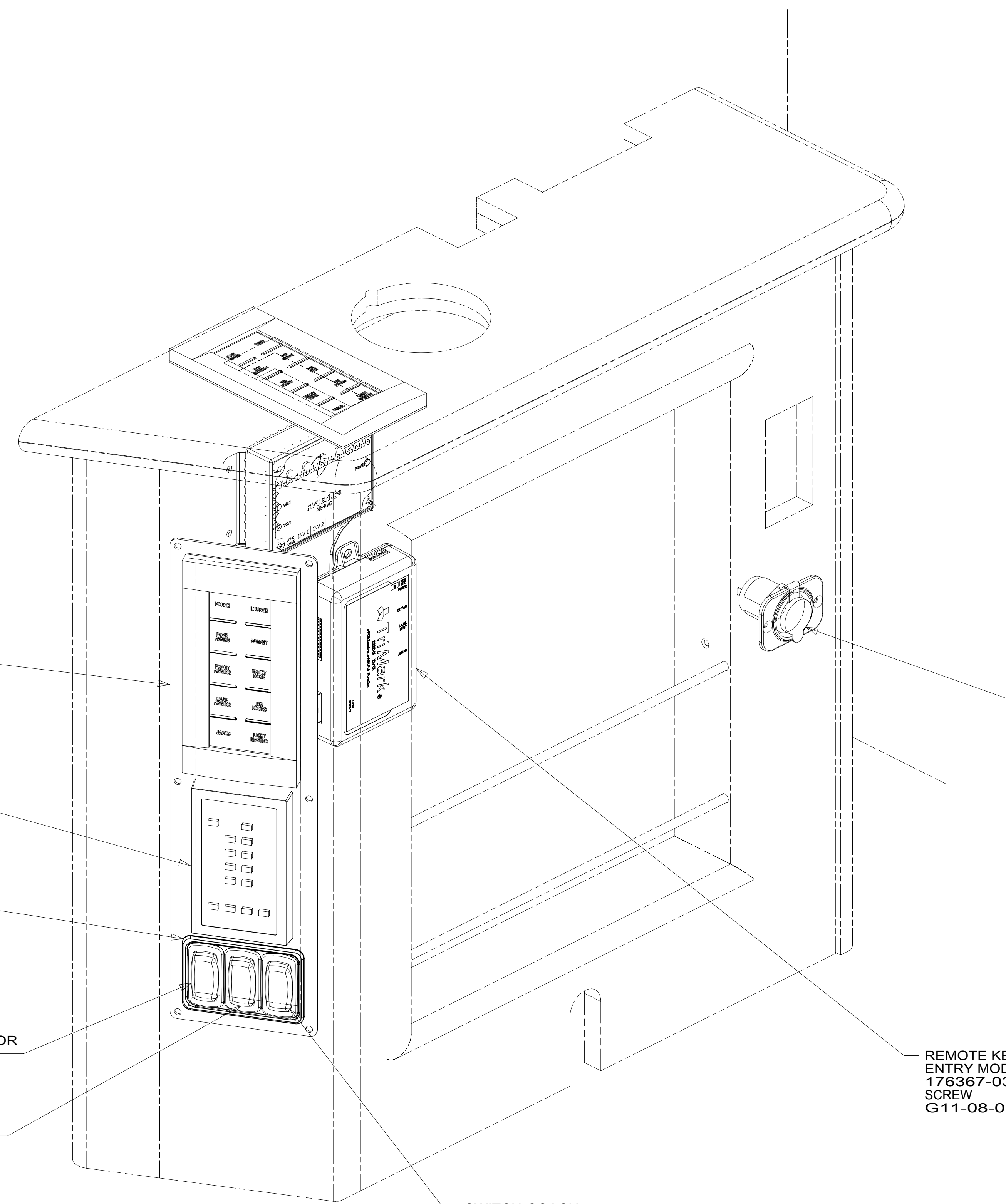


PLATE-SWITCH
176859-08-CHT
SCREW
G11-08-12U (6)

AWNING KEYPAD
(REF)

PANEL-SWITCH
MOUNTING,3-WAY
174834-02-CHT

SWITCH-CHASSIS
BATT DISC
174757-06-CHT
WIRE ASM-THERMISTOR
186796-01-000

SWITCH-ENTRY STEP
174757-27-CHT

USB-CHARGER
188312-01-000

REMOTE KEYLESS
ENTRY MODULE
176367-03-000
SCREW
G11-08-08U (2)

SWITCH-COACH
BATT DISC
174757-07-CHT
WIRE ASM-THERMISTOR
186796-01-000

DETAIL DA

1. AT MINIMUM ALL WIRES TO BE SUPPORTED AND SECURED PER CODE REQUIREMENTS. USE CLAMP 10495 OR 10497 OR WIRE TIE 8343 OR 108046 AND SCREW G67-XX-XXX OR G56-XX-XXX AS APPROPRIATE FOR INSTALLATION.

NOTES:

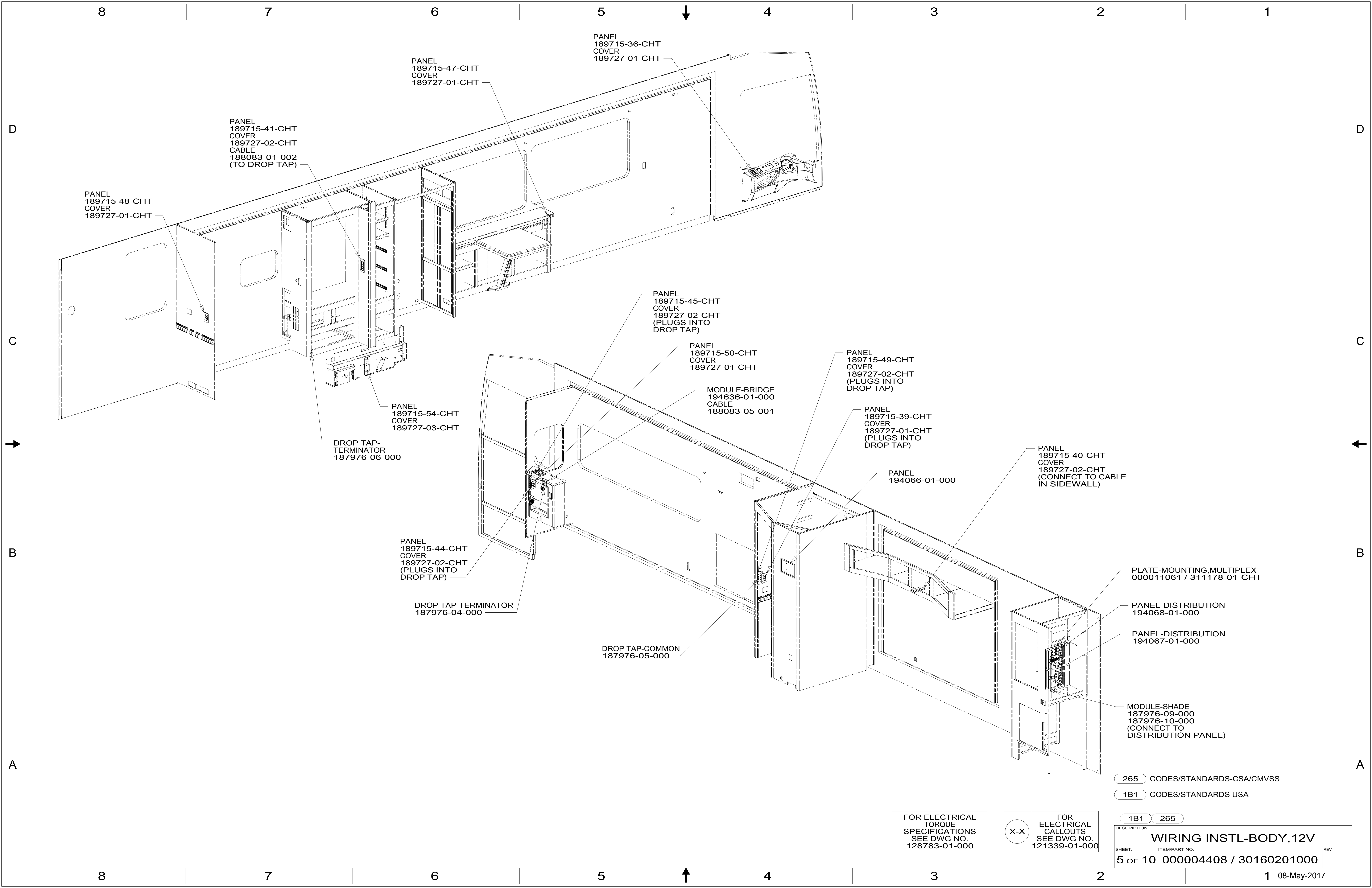
265 CODES/STANDARDS-CSA/CMVSS
1B1 CODES/STANDARDS USA

FOR ELECTRICAL
TORQUE
SPECIFICATIONS
SEE DWG NO.
128783-01-000

FOR ELECTRICAL
CALLOUTS
SEE DWG NO.
121339-01-000

1B1	265
DESCRIPTION: WIRING INSTL-BODY, 12V	
SHEET: 4 OF 10	ITEM/PART NO: 000004408 / 30160201000
REV 1 08-May-2017	

8 7 6 5 4 3 2 1



265 CODES/STANDARDS-CSA/CMVSS

1B1 CODES/STANDARDS USA

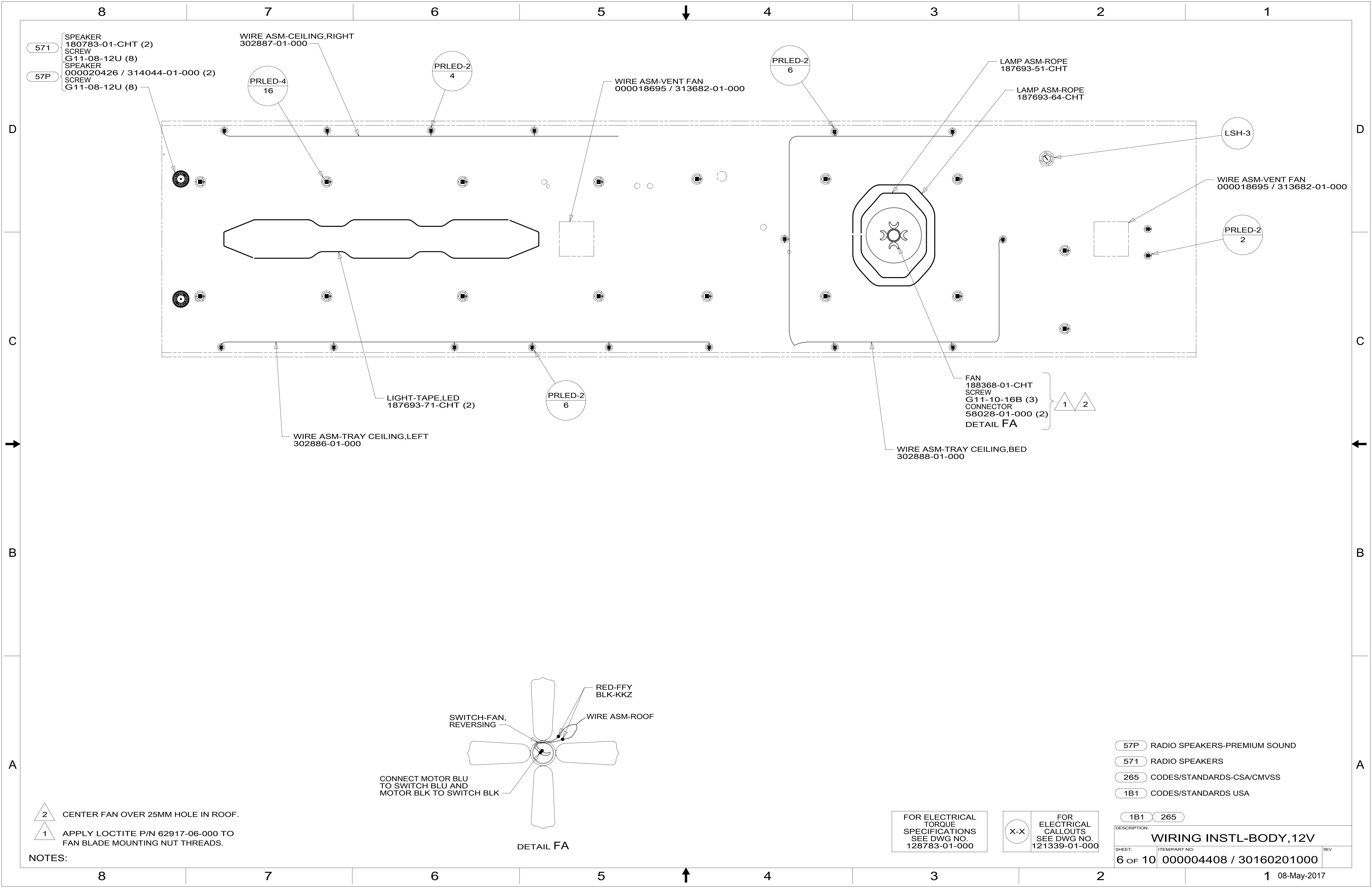
1B1 265

FOR ELECTRICAL TORQUE SPECIFICATIONS SEE DWG NO. 128783-01-000

FOR ELECTRICAL CALLOUTS SEE DWG NO. 121339-01-000

DESCRIPTION: WIRING INSTL-BODY, 12V

SHEET: 5 OF 10 ITEM/PART NO.: 000004408 / 30160201000 REV:



- 571 SPEAKER 180783-01-CHT (2)
SCREW G11-08-12U (8)
- 57P SPEAKER 000020426 / 314044-01-000 (2)
SCREW G11-08-12U (8)

WIRE ASM-CEILING,RIGHT
302887-01-000

PRLED-4
16

PRLED-2
4

WIRE ASM-VENT FAN
000018695 / 313682-01-000

PRLED-2
6

LAMP ASM-ROPE
187693-51-CHT

LAMP ASM-ROPE
187693-64-CHT

LSH-3

WIRE ASM-VENT FAN
000018695 / 313682-01-000

PRLED-2
2

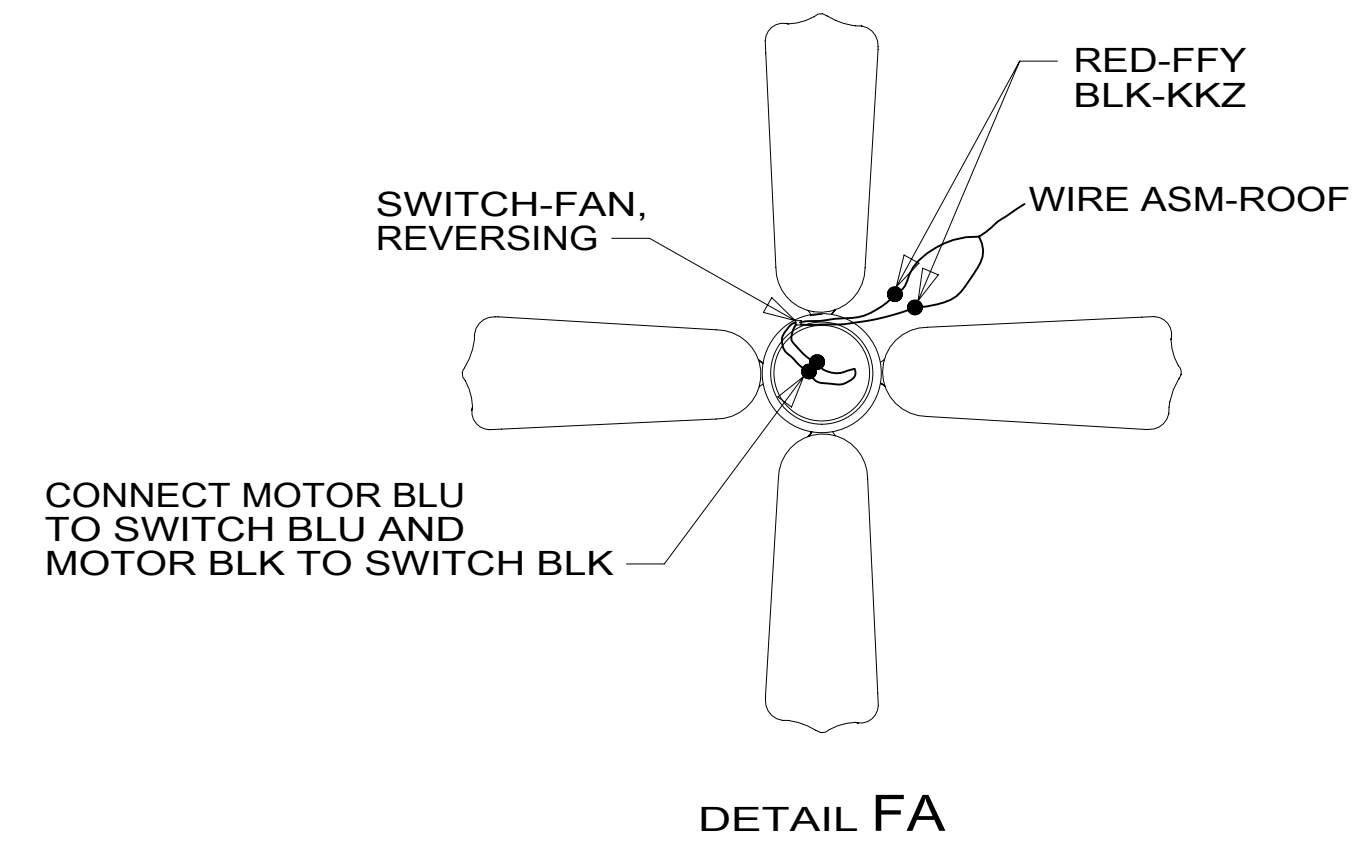
LIGHT-TAPE,LED
187693-71-CHT (2)

PRLED-2
6

WIRE ASM-TRAY CEILING,LEFT
302886-01-000

FAN
188368-01-CHT
SCREW G11-10-16B (3)
CONNECTOR 58028-01-000 (2)
DETAIL FA

WIRE ASM-TRAY CEILING,BED
302888-01-000



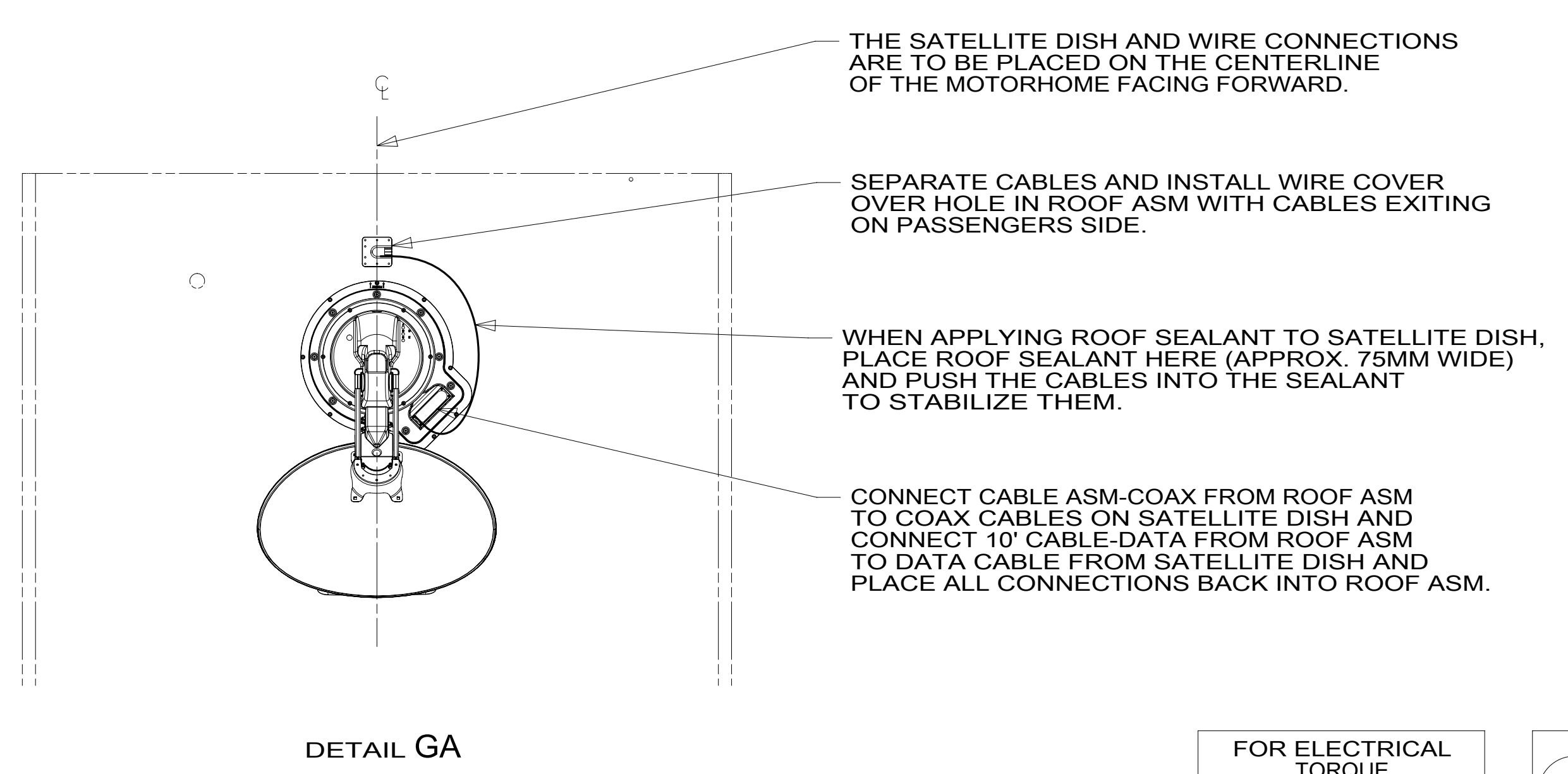
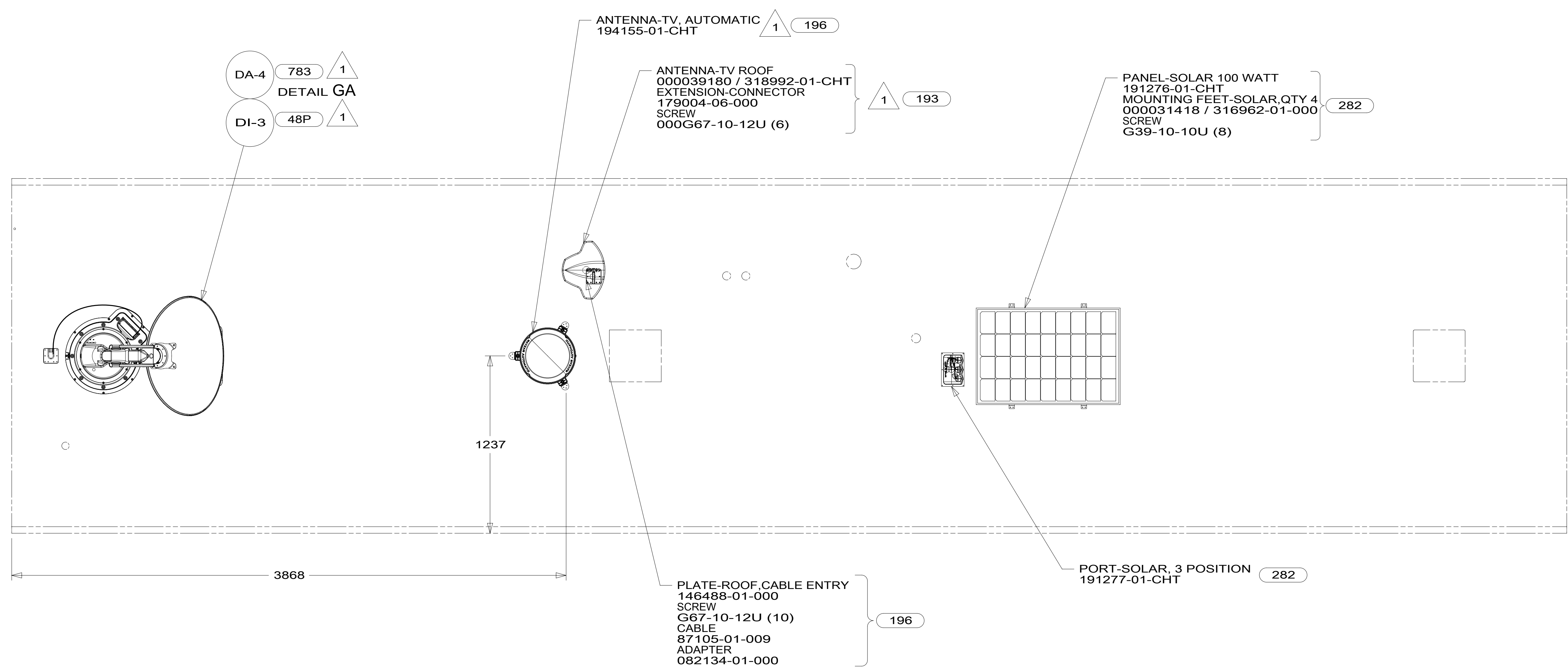
- NOTES:
- 2 CENTER FAN OVER 25MM HOLE IN ROOF.
 - 1 APPLY LOCTITE P/N 62917-06-000 TO FAN BLADE MOUNTING NUT THREADS.

FOR ELECTRICAL
TORQUE
SPECIFICATIONS
SEE DWG NO.
128783-01-000

FOR
ELECTRICAL
CALLOUTS
SEE DWG NO.
121339-01-000

- 57P RADIO SPEAKERS-PREMIUM SOUND
- 571 RADIO SPEAKERS
- 265 CODES/STANDARDS-CSA/CMVSS
- 1B1 CODES/STANDARDS USA

DESCRIPTION:	
1B1 265	
WIRING INSTL-BODY, 12V	
SHEET:	ITEM/PART NO:
6 OF 10	000004408 / 30160201000
REV	



- 196 TV ANT-AUTO,DIRECTIONAL AMPL
- 193 TV ANT-DIGITAL AMPLIFIED
- 783 SATELLITE HD TV SYSTEM AUTO
- 282 SOLAR PANEL - 100 WATT
- 48P SAT TV SYSTEM IN-MOTION
- 265 CODES/STANDARDS-CSA/CMVSS
- 1B1 CODES/STANDARDS USA

1 SEE MANUFACTURER'S INSTALLATION FOR ADDITIONAL INFORMATION.

FOR ELECTRICAL TORQUE SPECIFICATIONS SEE DWG NO. 128783-01-000

FOR ELECTRICAL CALLOUTS SEE DWG NO. 121339-01-000

DESCRIPTION:	1B1 265	
WIRING INSTL-BODY, 12V		
SHEET:	ITEM/PART NO:	REV
7 of 10	000004408 / 30160201000	

8

7

6

5

4

3

2

1

D

D

C

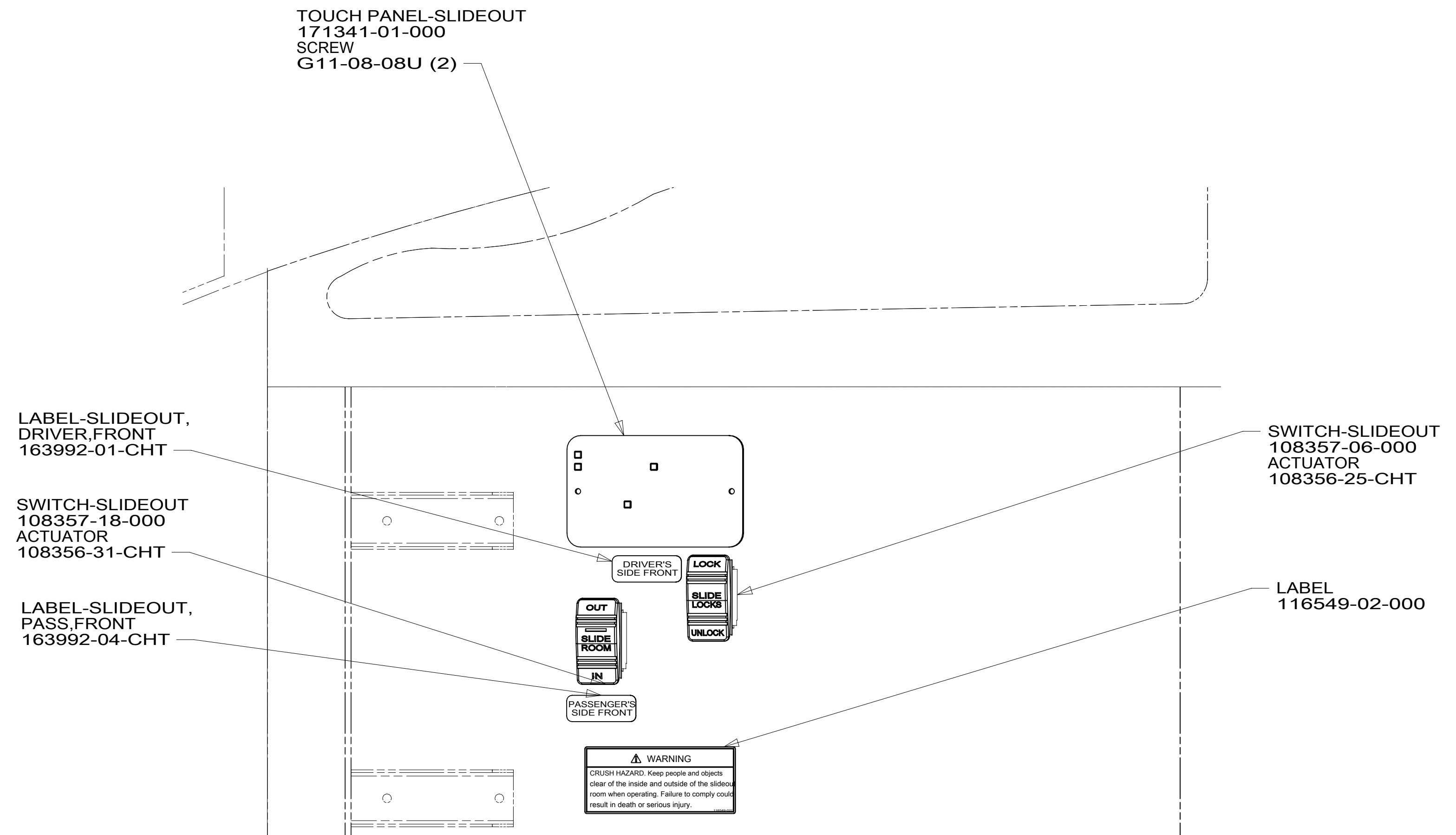
C

B

B

A

A



DETAIL HA

265 CODES/STANDARDS-CSA/CMVSS

1B1 CODES/STANDARDS USA

1B1 265

FOR ELECTRICAL TORQUE SPECIFICATIONS SEE DWG NO. 128783-01-000

FOR ELECTRICAL CALLOUTS SEE DWG NO. 121339-01-000

DESCRIPTION: WIRING INSTL-BODY, 12V

SHEET: 8 OF 10 ITEM/PART NO: 000004408 / 30160201000 REV

8

7

6

5

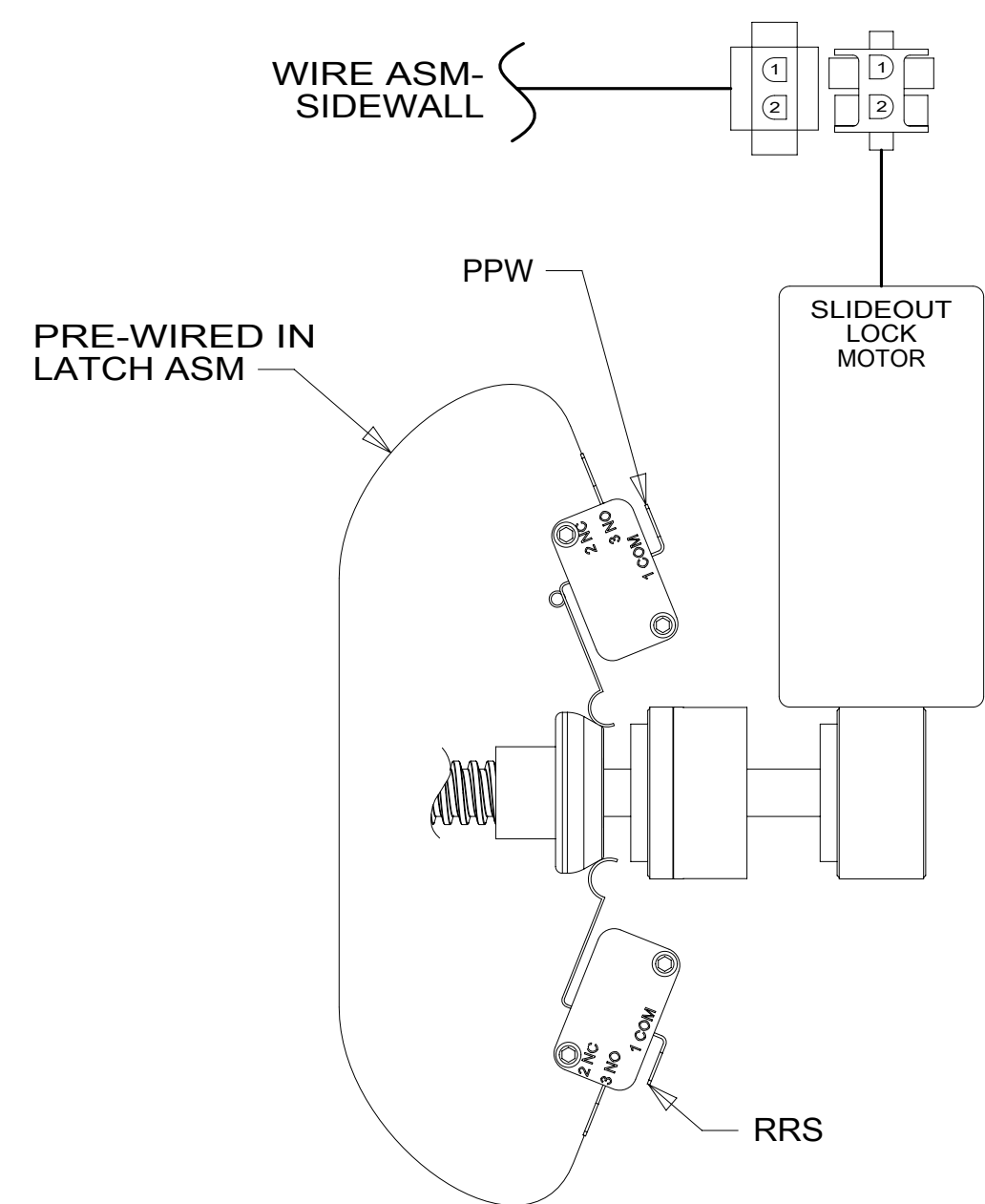


4

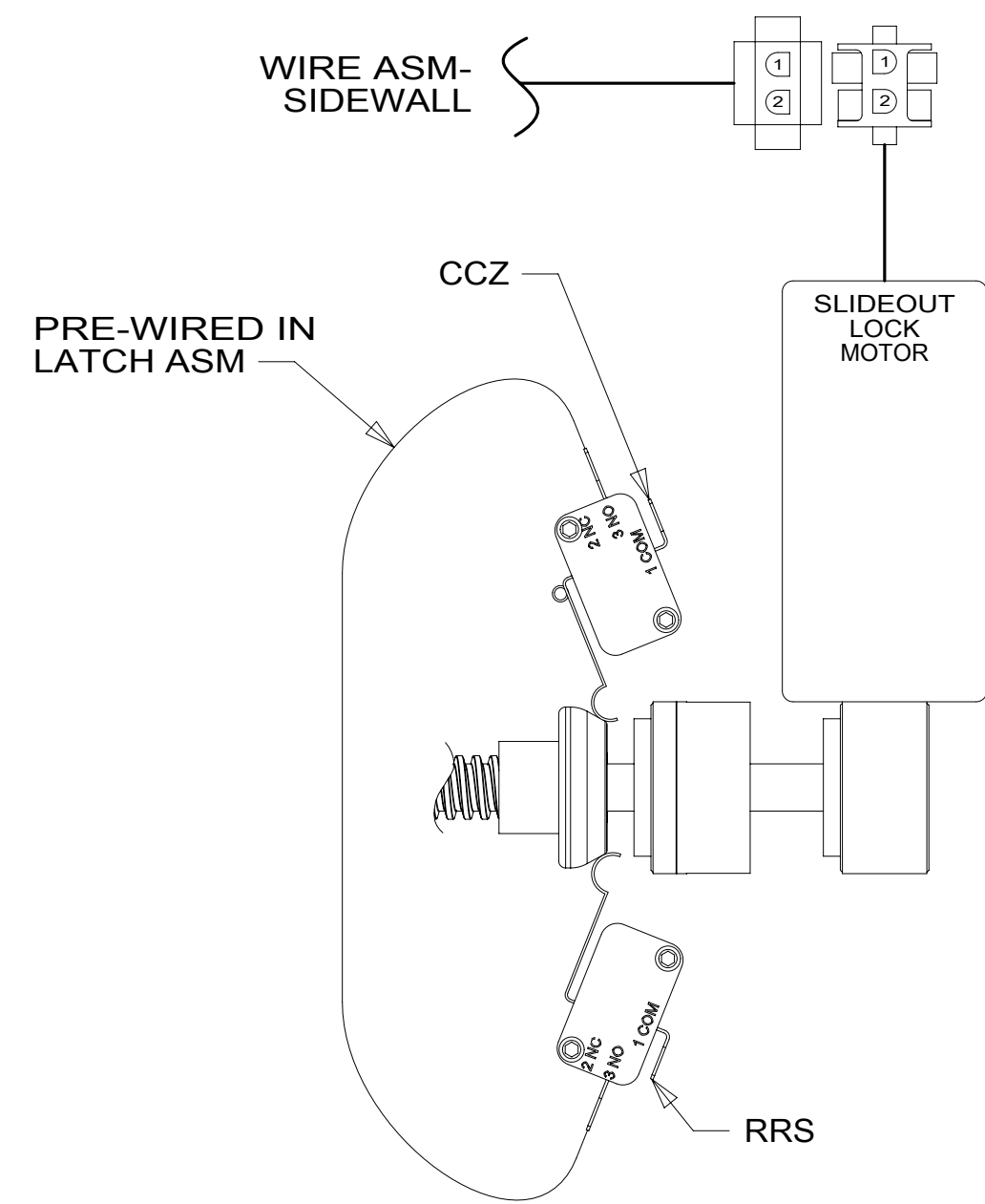
3

2

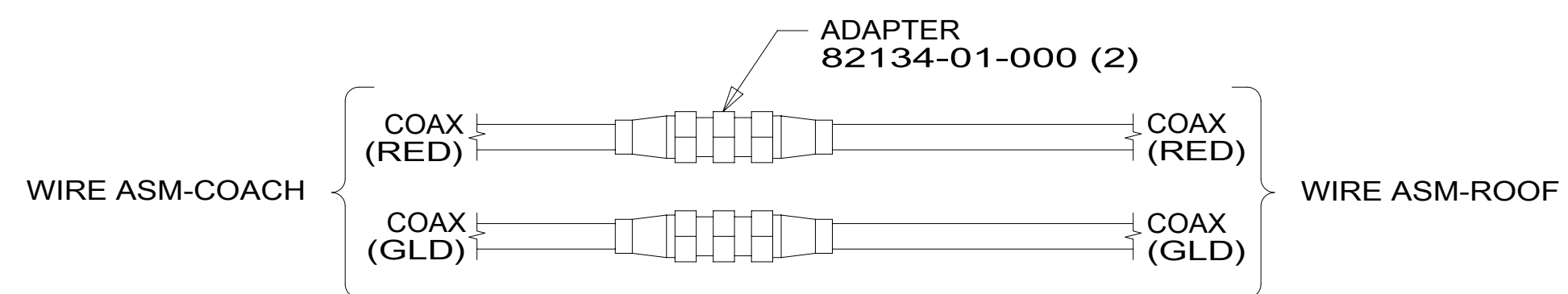
1



DETAIL JA



DETAIL JB



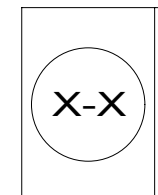
DETAIL JC

265 CODES/STANDARDS-CSA/CMVSS

1B1 CODES/STANDARDS USA

1B1 265

FOR ELECTRICAL TORQUE SPECIFICATIONS SEE DWG NO. 128783-01-000



FOR ELECTRICAL CALLOUTS SEE DWG NO. 121339-01-000

DESCRIPTION: WIRING INSTL-BODY, 12V		
SHEET: 9 OF 10	ITEM/PART NO: 000004408 / 30160201000	REV

8

7

6

5



4

3

2

1 08-May-2017

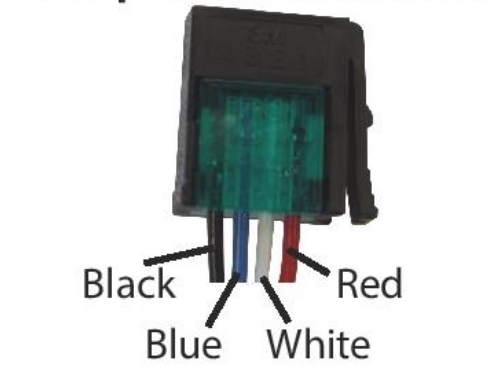
WINNEBAGO 2016 - R42QL

SSP -14 NETWORK WIRING DIAGRAM

SWITCH PANEL LAYOUT

REVISION 1v1 10/9/15

Drop Cable Connections

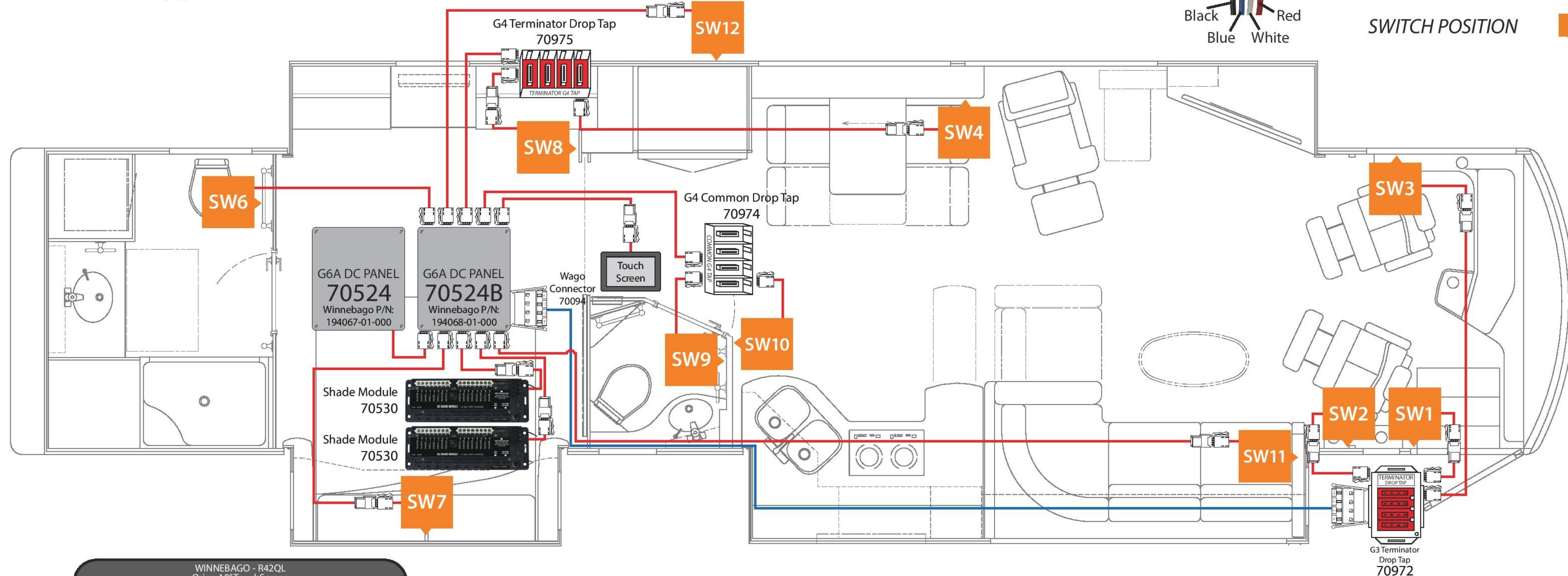


NETWORK LEGEND

TRUNK CABLE

DROP CABLE

SWITCH POSITION



WINNEBAGO - R42QL
Orion 10" TouchScreen

Thermostat	Eng Preheat
Auto Generator Start	Burner
Energy Management	Burner Status
Rear Slideouts (D/S RR, P/S RR)	Engine Block Heater
Water Pump	Inverter Controls
Aqua Hot Elec	Tank Levels (Fresh, Gry 1, Blk)

Firefly P/N: 55501A
Winnebago P/N: 194066-01-000

WINNEBAGO - R42QL
SW3 - DRIVER

S4-8	D/S SHADE	W/S DAY	S01
51	ENTRY DOOR	W/S NIGHT	S02
52	STEP COVER	DOME	19
36			

Firefly P/N: 90101
Winnebago P/N: 189715-36-000

WINNEBAGO - R42QL
SW9 - MID BATH

16	BATH	MAKEUP	17
30	WATER PUMP	HALLWAY	9
57		AISLE	18

Firefly P/N: 90402
Winnebago P/N: 189715-39-000

WINNEBAGO - R42QL
SW1 - ENTRY

27	PORCH	LOUNGE	1
33	DOOR AWNING	COMPMT	25
34	FRONT AWNING	ENTRY DOOR	51
28	REAR AWNING	BAY DOORS	53
29	JACKS	LIGHT MASTER	54
38			

Firefly P/N: 90002
Winnebago P/N: 189715-44-000

WINNEBAGO - R42QL
SW2 - PASSENGER

35	STEP COVER	DOME	19
36	EXT SECURITY	P/S SHADE	S9-12
26, 27			
51	W/S NIGHT	W/S DAY	S01
52	ENTRY DOOR	BAY DOORS	53
52	PANEL LIGHTS	LIGHT MASTER	54

Firefly P/N: 90051
Winnebago P/N: 189715-45-000

WINNEBAGO - R42QL
SW4 - DINETTE

1	LOUNGE	GALLEY	2
3	FRONT TRAY	DINETTE OVHD	20
S4-8	D/S SHADE	ALL FRT SHADES	S1-12

Firefly P/N: 90156
Winnebago P/N: 189715-47-000

WINNEBAGO - R42QL
SW6 - REAR BATH

15	MAKEUP	BATH	13
30	WATER PUMP	SHOWER	14
45		AISLE	18
46			

Firefly P/N: 90252
Winnebago P/N: 189715-48-000

WINNEBAGO - R42QL
SW7 - BED OVHD

5	LEFT OVHD	RIGHT OVHD	6
7	BEDROOM	BEDROOM TRAY	8
58	BED LIFT	GEN	47
59	BEDRM SHADIES	LIGHT MASTER	48
S14,15,16			

Firefly P/N: 90302
Winnebago P/N: 189715-40-000

WINNEBAGO - R42QL
SW8 - BEDROOM

49	BED LIFT	BEDROOM	7
50	ACCENT	BEDROOM TRAY	8
12	DRESSER OVHD	GEN	58
21	BEDRM SHADIES	ALL DOORS	51,53
S14,15,16			

Firefly P/N: 90356
Winnebago P/N: 189715-41-000

WINNEBAGO - R42QL
SW10 - GALLEY

1	LOUNGE	GALLEY	2
3	FRONT TRAY	GALLEY OVHD	10
9	HALLWAY	DINETTE OVHD	20
11	ACCENT	AISLE	18
43		ALL FRT SHADES	S1-12
44			

Firefly P/N: 90453
Winnebago P/N: 189715-49-000

WINNEBAGO - R42QL
SW11 - LOUNGE

1	LOUNGE	SOFA OVHD	22
3	FRONT TRAY	D/S SHADES	S4-8
S1-12	ALL FRT SHADES	P/S SHADES	S9-12

Firefly P/N: 90507
Winnebago P/N: 189715-50-000

WINNEBAGO - R42QL
SW12 - BAY

26	SERVICE	BAY DOORS	53
25	COMPMT	JACKS	37
30	WATER PUMP	GEN	47
	PANEL LIGHTS	FRT LI MASTER	48
	FRSH ELK		

Firefly P/N: 90555
Winnebago P/N: 189715-54-000

265 CODES/STANDARDS-CSA/CMVSS

1B1 CODES/STANDARDS USA

THIS SHEET FOR REFERENCE ONLY

FOR ELECTRICAL TORQUE SPECIFICATIONS SEE DWG NO. 128783-01-000

FOR ELECTRICAL CALLOUTS SEE DWG NO. 121339-01-000

1B1 265

DESCRIPTION: WIRING INSTL-BODY, 12V

SHEET: 10 OF 10 ITEM/PART NO: 000004408 / 30160201000 REV

1 08-May-2017