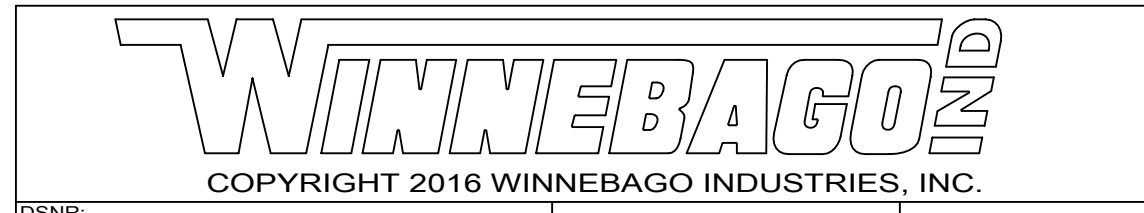


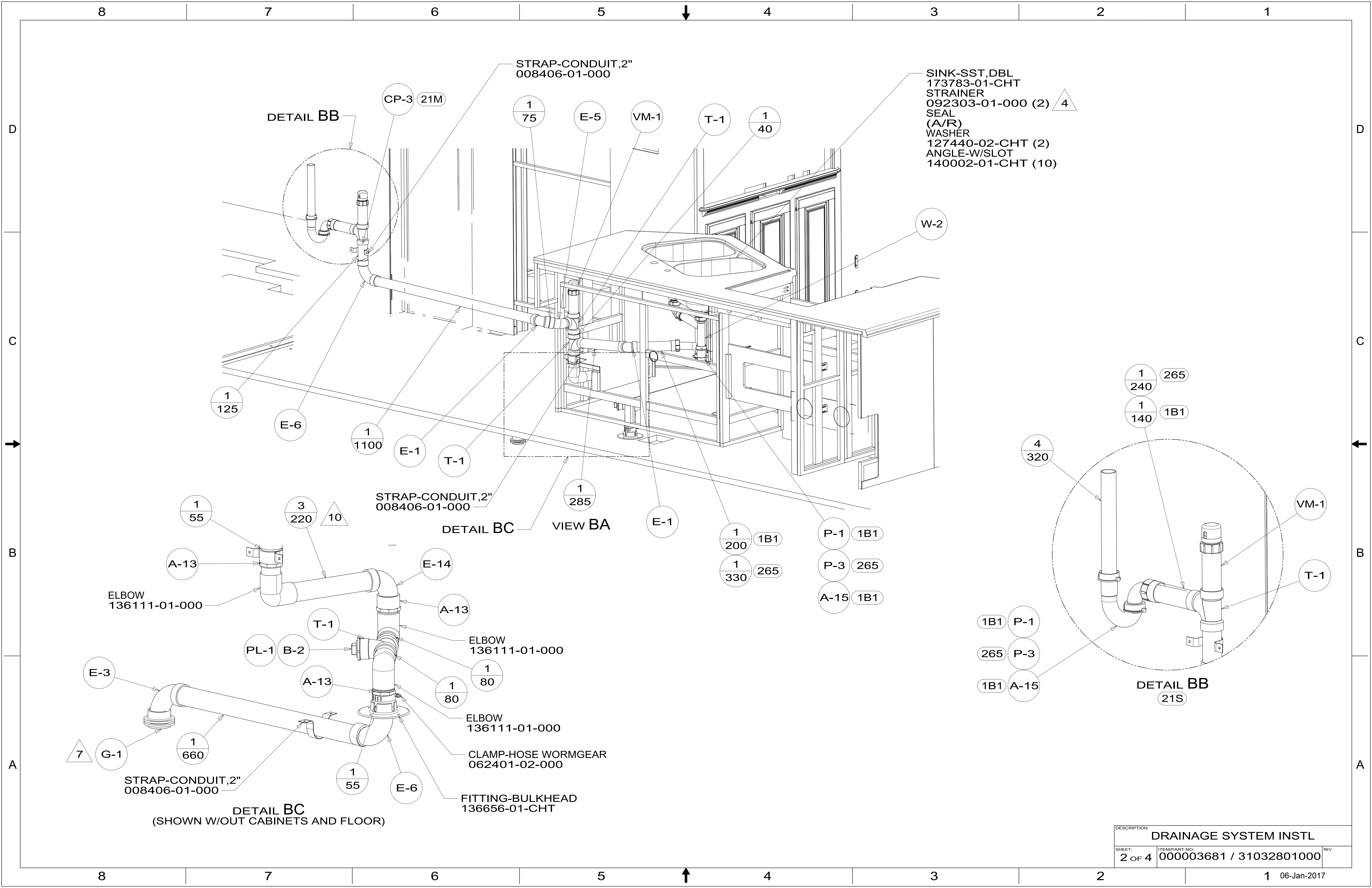
- 11 ADD TEFLON TAPE 010405-01-000.
- 10 APPLY PRIMER 126427-02-000 AND CEMENT 126427-01-000 BETWEEN ELBOW AND FLEX PIPE.
 - 9. SEE DRAWING 061607 FOR INSTALLATION OF GROMMETS.
 - 8. SECURE DRAINAGE PIPES TO CABINET USING WIRE TIE 108046-02-000, AND SCREW 000G67-10-12U AT INTERVALS OF NOT OF NOT MORE THAN 4 FEET APART.
 - 7 SECURE VENT PIPE TO GROMMET WITH CLAMP 062401-02-000.
 - 6 VENT PIPE MUST PROJECT 51 MIN AND 64 MAX ABOVE ROOF FOR PROPER FIT AND FUNCTION. ADD S-1 (116666-01-CHT SEAL-VENT PIPE) AROUND PIPE ON ROOF BEFORE VENT CAP IS INSTALLED.
 - 5. SEAL AROUND SHOWER WITH SILICONE.
 - 4 USE SMOOTH PLUMBERS PUTTY 167459-01-000 TO SEAL STRAINER (0.2 PER STRAINER).
 - 3. ALL PIPE AND FITTINGS TO BE ASSEMBLED WITH SOLVENT 004020-01-000 (USA), 004020-02-000 (CAN)
 - 2. SLOPE OF TRAP ARM MUST BE 6 PER 305 mm.
 - 1. SLOPE OF HORIZONTAL PIPING TO BE MINIMUM OF 3 PER 305 mm.

- 265 CODES/STANDARDS-CSA/CMVSS
- 1B1 CODES/STANDARDS USA
- 21M WASHER/DRYER PREP
- 21S WASHER & DRYER-PAIR

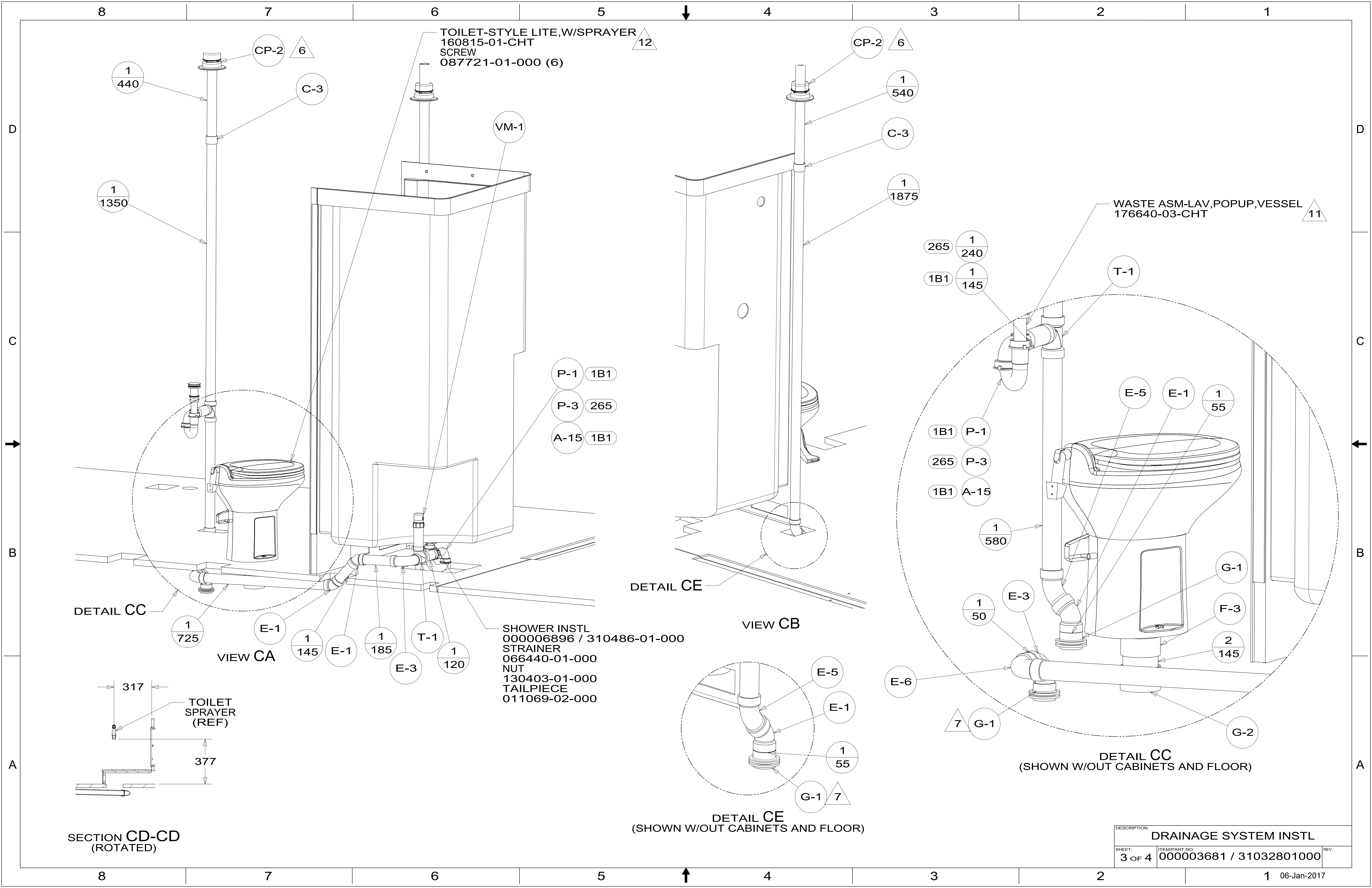


DSNR:		ALL DIMENSIONS ARE IN MILLIMETERS	
DIFTR:		MATERIAL:	
UNSPECIFIED TOLERANCES:			
WHOLE DIM (X)	3		
ONE-PLACE (X.X)	1.5		
TWO-PLACE (X.XX)	0.50		
ANGLE	1°		
REFER TO ES0018 FOR FASTENER TIGHTENING GUIDELINES		WEIGHT: (LBS)	FIRST USED: (REF)
DESCRIPTION: DRAINAGE SYSTEM INSTL			
SHEET:	ITEM/PART NO.:	REV	
1 OF 4	000003681 / 31032801000		

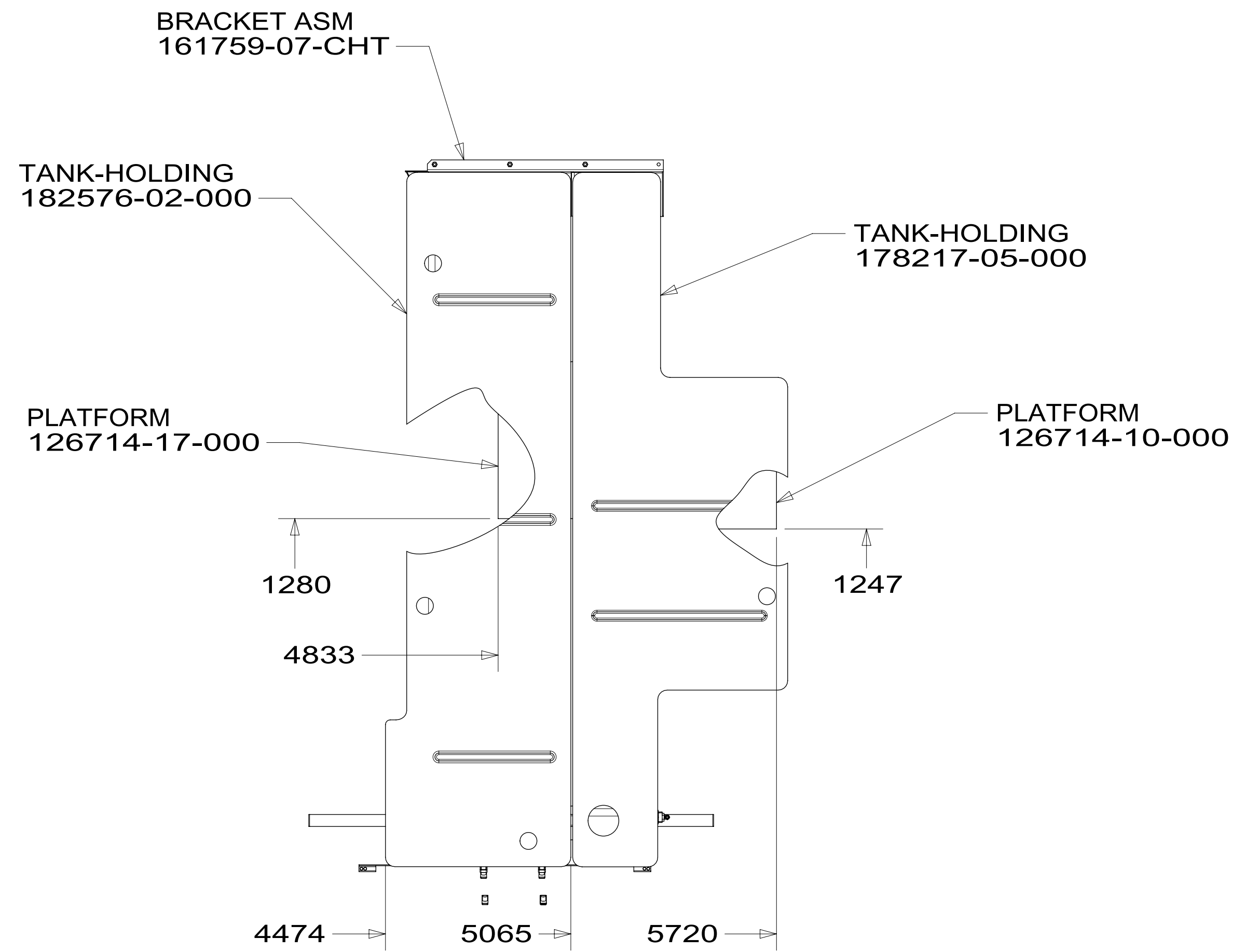
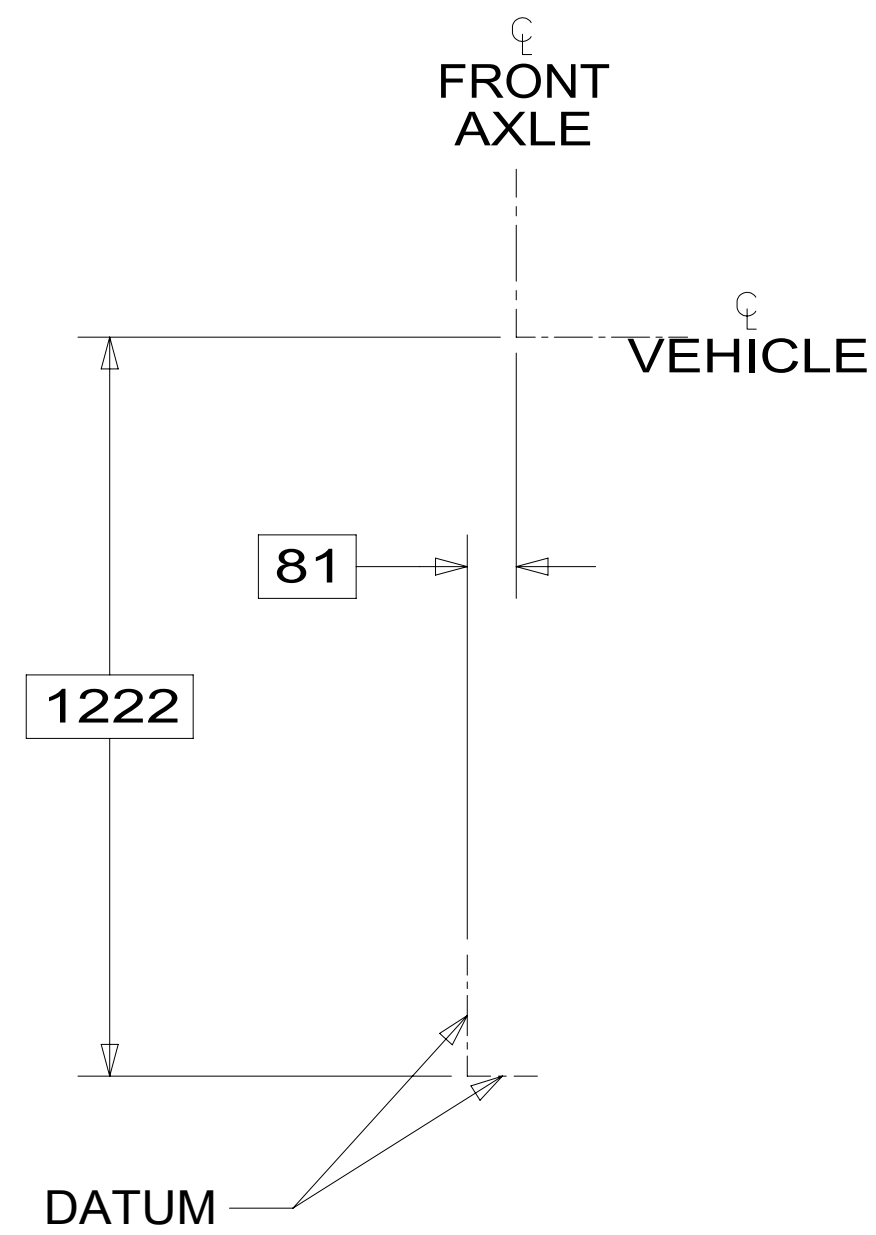
FOR DRAINAGE CALLOUTS SEE DWG NO. 000211962 / 303370-01-000



DESCRIPTION:		
DRAINAGE SYSTEM INSTL		
SHEET:	ITEM/PART NO.:	REV
2 OF 4	000003681 / 31032801000	
		1 06-Jan-2017



DESCRIPTION:		
DRAINAGE SYSTEM INSTL		
SHEET:	ITEM/PART NO:	REV
3 OF 4	000003681 / 31032801000	

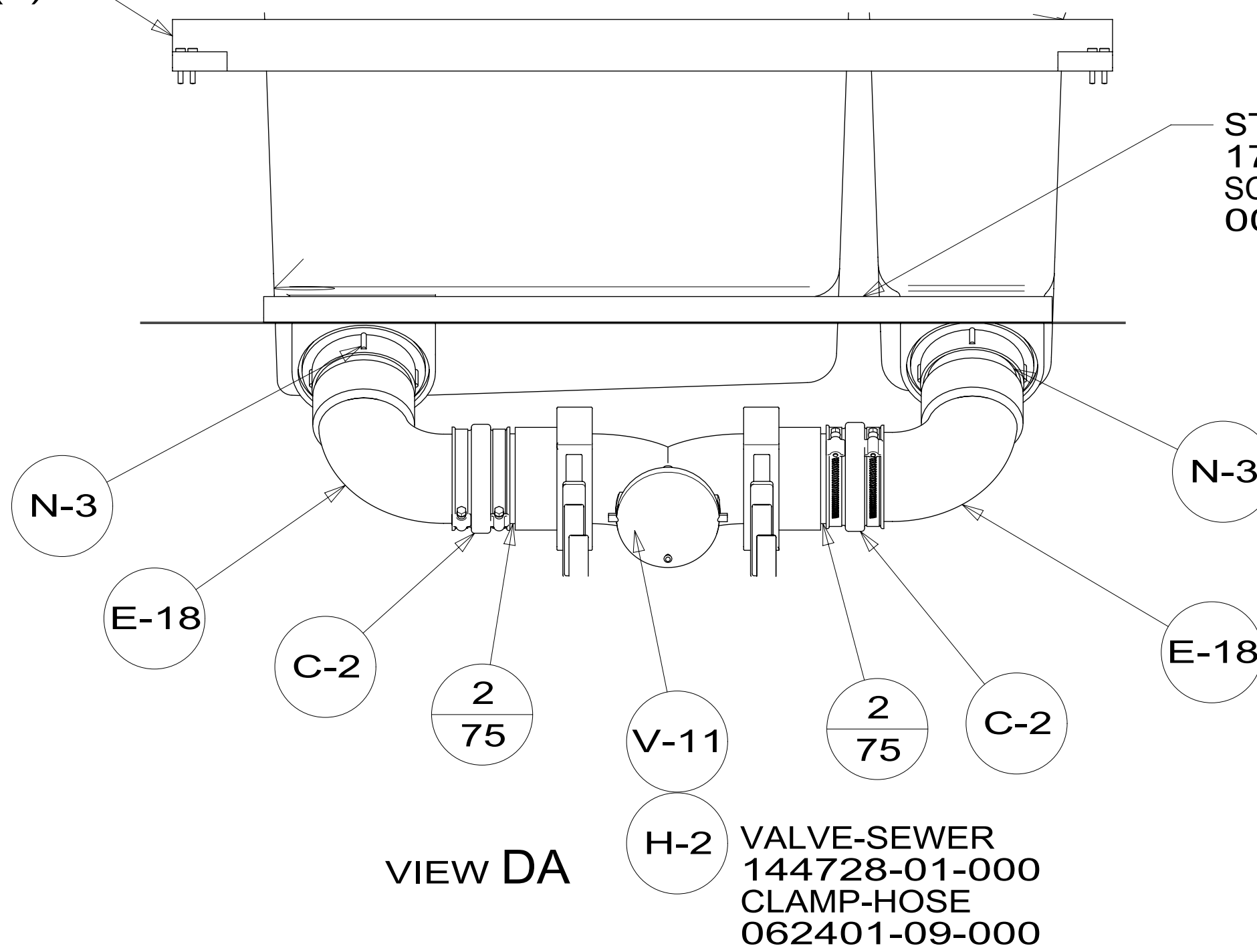


TOP VIEW SHOWING ONLY DRAINS AND TANKS



STRAP ASM
179094-01-CHT
SCREW
000G39-10-20U (4)

STRAP ASM
179405-01-CHT
SCREW
000G39-10-20U (4)



VIEW DA

DESCRIPTION: DRAINAGE SYSTEM INSTL		
SHEET: 4 OF 4	ITEM/PART NO: 000003681 / 31032801000	REV