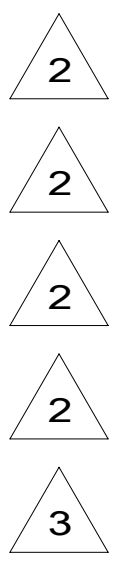


RED	1B1	136135-07-060
	265	136136-07-060
YEL	1B1	136131-05-046
	265	136134-05-046
BRN	1B1	136131-03-133
	265	136134-03-133
BLU	1B1	136131-02-227
	265	136134-02-227
MAIN	1B1	176841-01-080
	265	176841-01-080
GRN	1B1	136135-08-060
	265	136136-08-060
GRY	1B1	136131-15-050
	265	136134-15-050
PUR	1B1	136131-04-206
	265	136134-04-206
BLK	1B1	136131-06-060
	265	136134-06-060
WHT	1B1	136135-09-030
	265	136136-09-030
GLD	1B1	136131-10-118
	265	136134-10-118

THROW IN WIRE #1	1B1	136131-03-026	2
	265	136134-03-026	2
THROW IN WIRE #2	1B1	136131-04-015	2
	265	136134-04-015	2
SLIDEOUT WIRE #1		136151-04-014	3
GENERATOR CABLE ASM	1B1	136137-01-045 (2)	
	265	136138-01-045 (2)	
GROUND ATS		136145-01-048	
GROUND MAIN		136145-01-056	
INVERTER CHARGER MAIN	1B1	136137-01-052	
	265	136138-01-052	
INVERTER CHARGER SUB MAIN	1B1	136137-01-052	
	265	136138-01-052	



D

D

C

C

B

B

A

A

- 265 CODES/STANDARDS-CSA/CMVSS
- 1B1 CODES/STANDARDS USA
- 1B1 265



DSNR:		ALL DIMENSIONS ARE IN MILLIMETERS	
DIFFR:		MATERIAL:	
UNSPECIFIED TOLERANCES:			
WHOLE DIM (X)	: 3		
ONE-PLACE (X.X)	: 1.5		
TWO-PLACE (X.XX)	: 0.50		
ANGLE	: 1°		
REFER TO ES0018 FOR FASTENER TIGHTENING GUIDELINES		WEIGHT: (LBS)	FIRST USED:
			17 E35F
DESCRIPTION: <b>LOAD CENTER/ATS ASM</b>			
SHEET: 1 OF 3	ITEM/PART NO: 000002490 / 31200801000	REF:	REV:

FOR ELECTRICAL TORQUE SPECIFICATIONS SEE DWG NO. 128783-01-000

FOR ELECTRICAL CALLOUTS SEE DWG NO. 121339-01-000

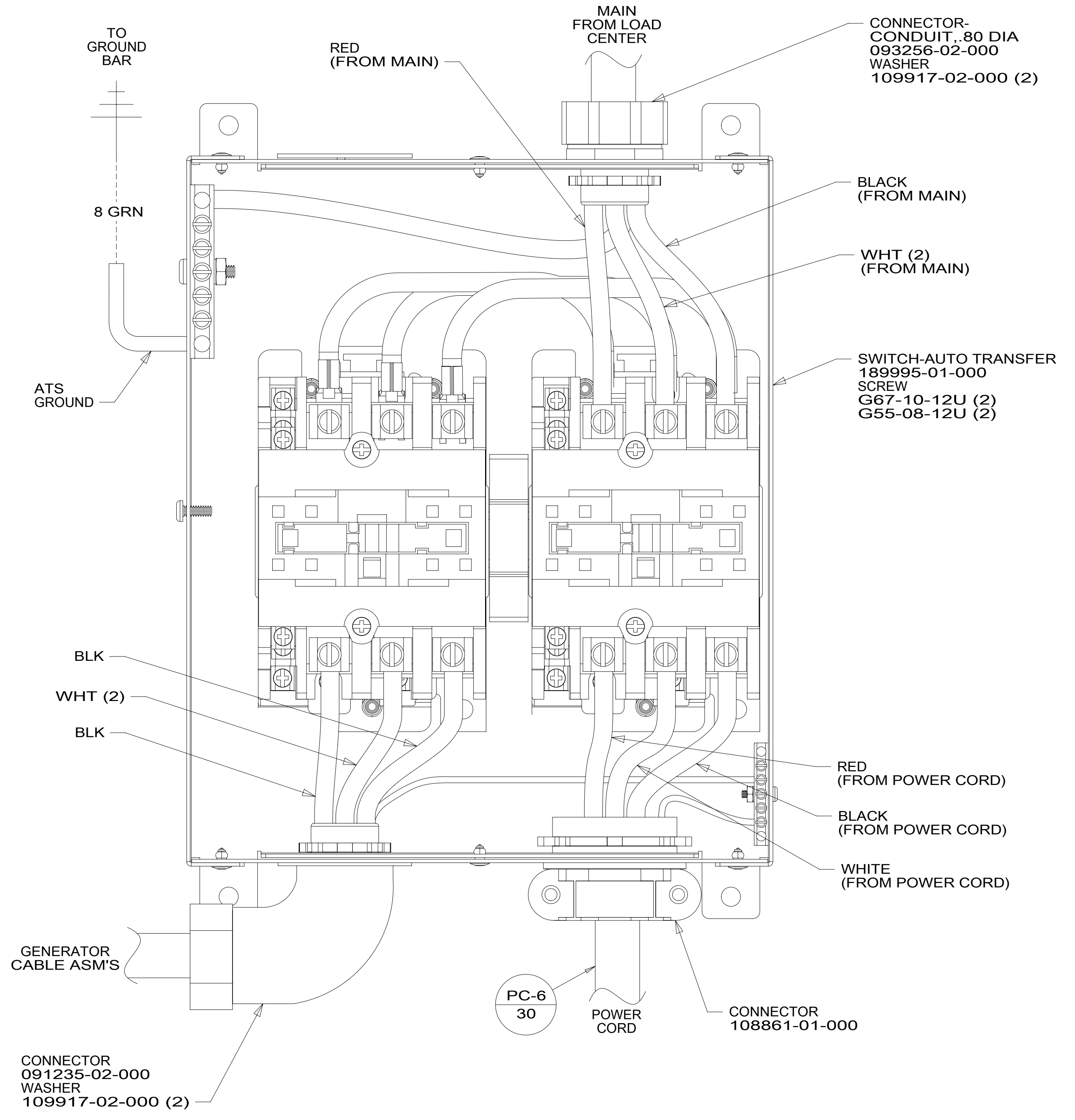
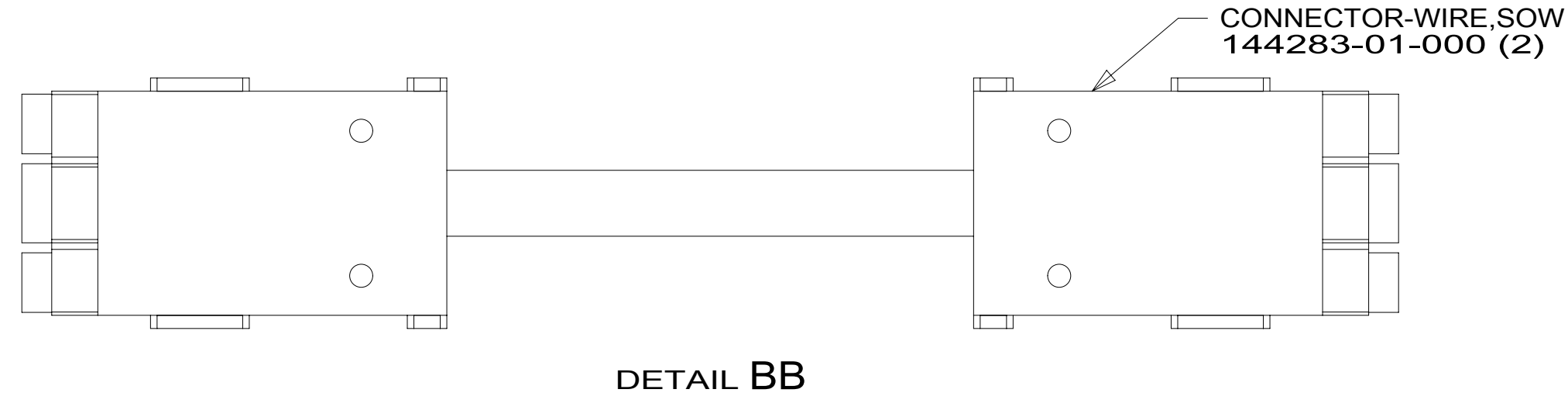
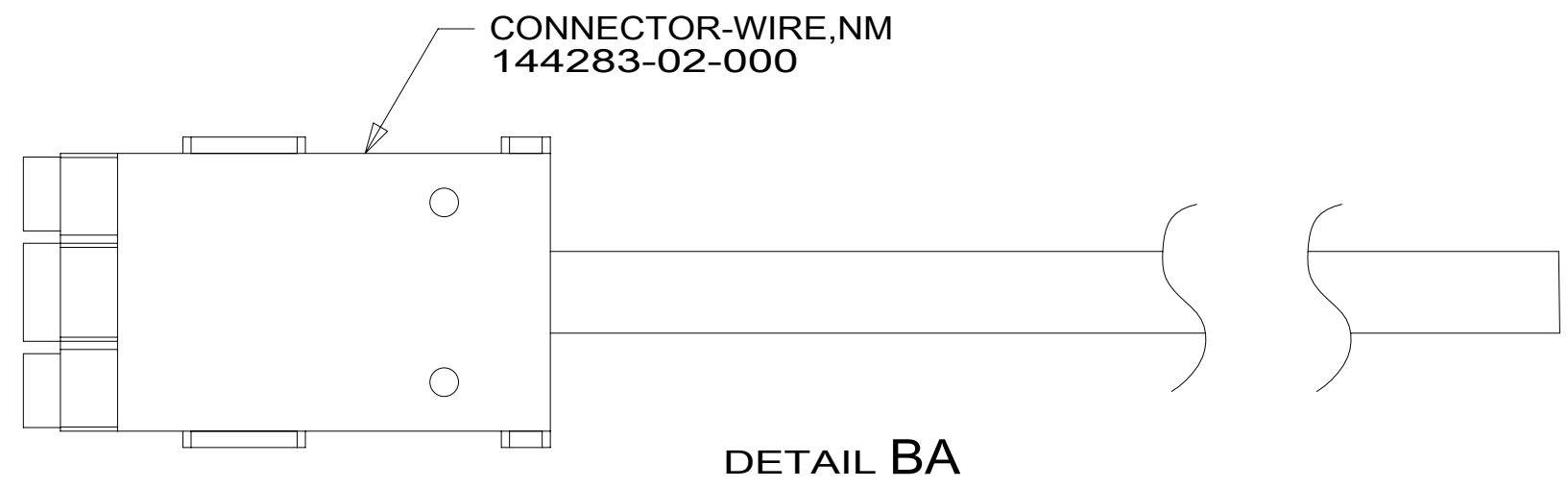
- 3 SEE DETAIL BB FOR CONNECTOR INSTALLATION.
- 2 SEE DETAIL BA FOR CONNECTOR INSTALLATION.

1. ALL GROUND WIRES TO BE COVERED WITH TUBING 8041-02-000.

NOTES:

8 7 6 5 4 3 2 1

D  
C  
B  
A



D  
C  
B  
A

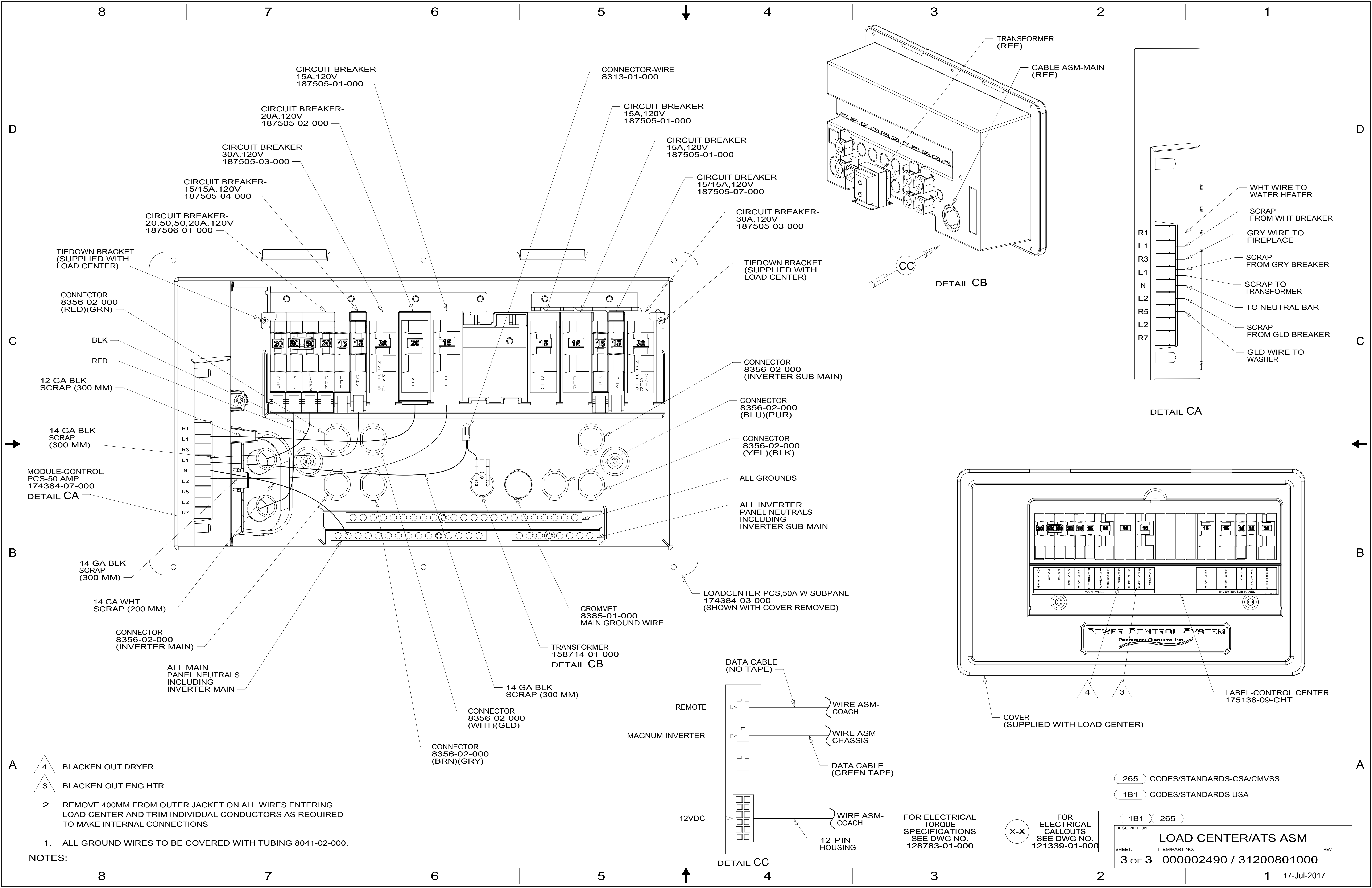
8 7 6 5 4 3 2 1 17-Jul-2017

265 CODES/STANDARDS-CSA/CMVSS  
1B1 CODES/STANDARDS USA

FOR ELECTRICAL TORQUE SPECIFICATIONS SEE DWG NO. 128783-01-000

FOR ELECTRICAL CALLOUTS SEE DWG NO. 121339-01-000

DESCRIPTION:	1B1 265	
<b>LOAD CENTER/ATS ASM</b>		
SHEET:	ITEM/PART NO.:	REV
2 OF 3	000002490 / 31200801000	



CIRCUIT BREAKER-15A, 120V 187505-01-000

CIRCUIT BREAKER-20A, 120V 187505-02-000

CIRCUIT BREAKER-30A, 120V 187505-03-000

CIRCUIT BREAKER-15/15A, 120V 187505-04-000

CIRCUIT BREAKER-20, 50, 50, 20A, 120V 187506-01-000

CONNECTOR-WIRE 8313-01-000

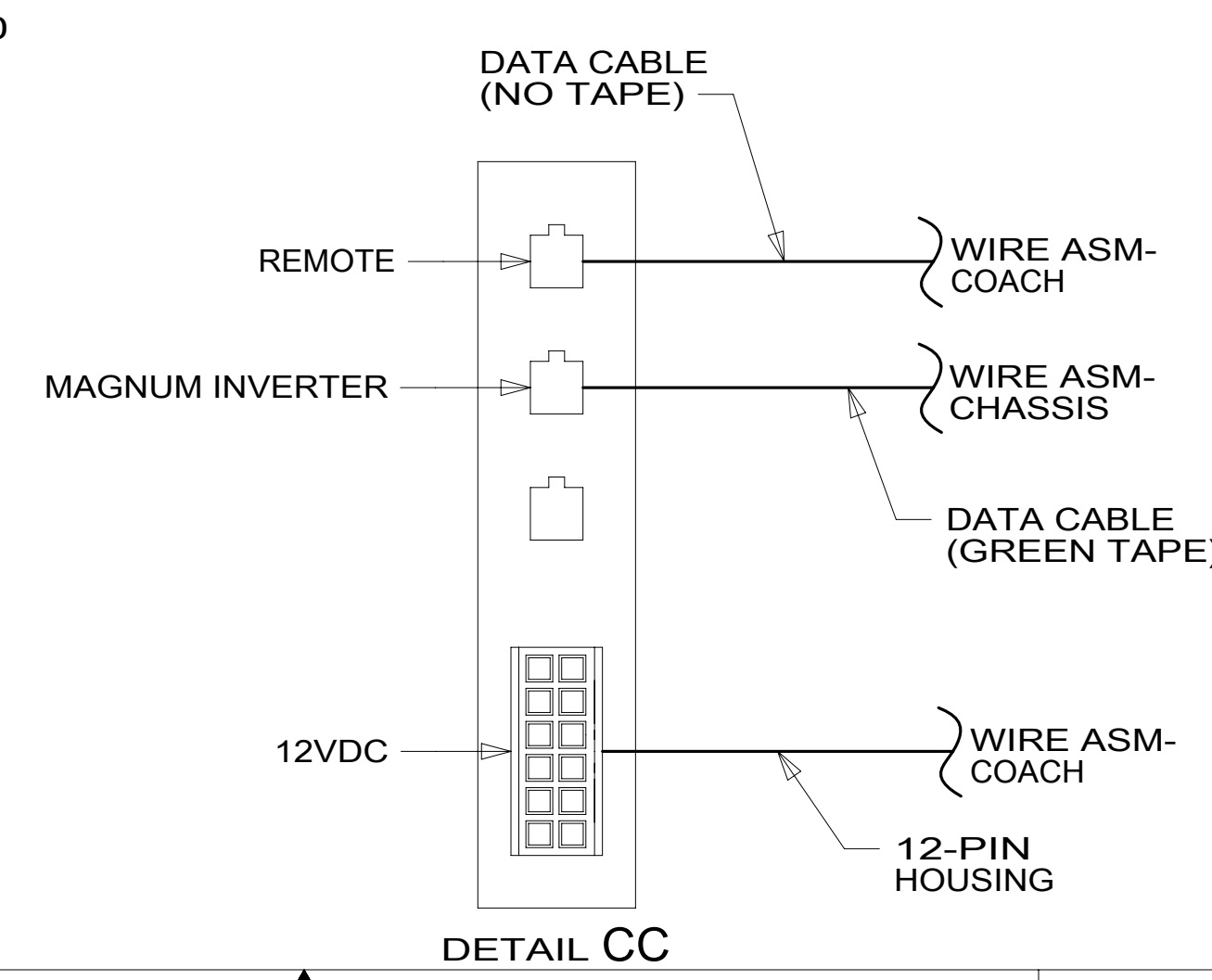
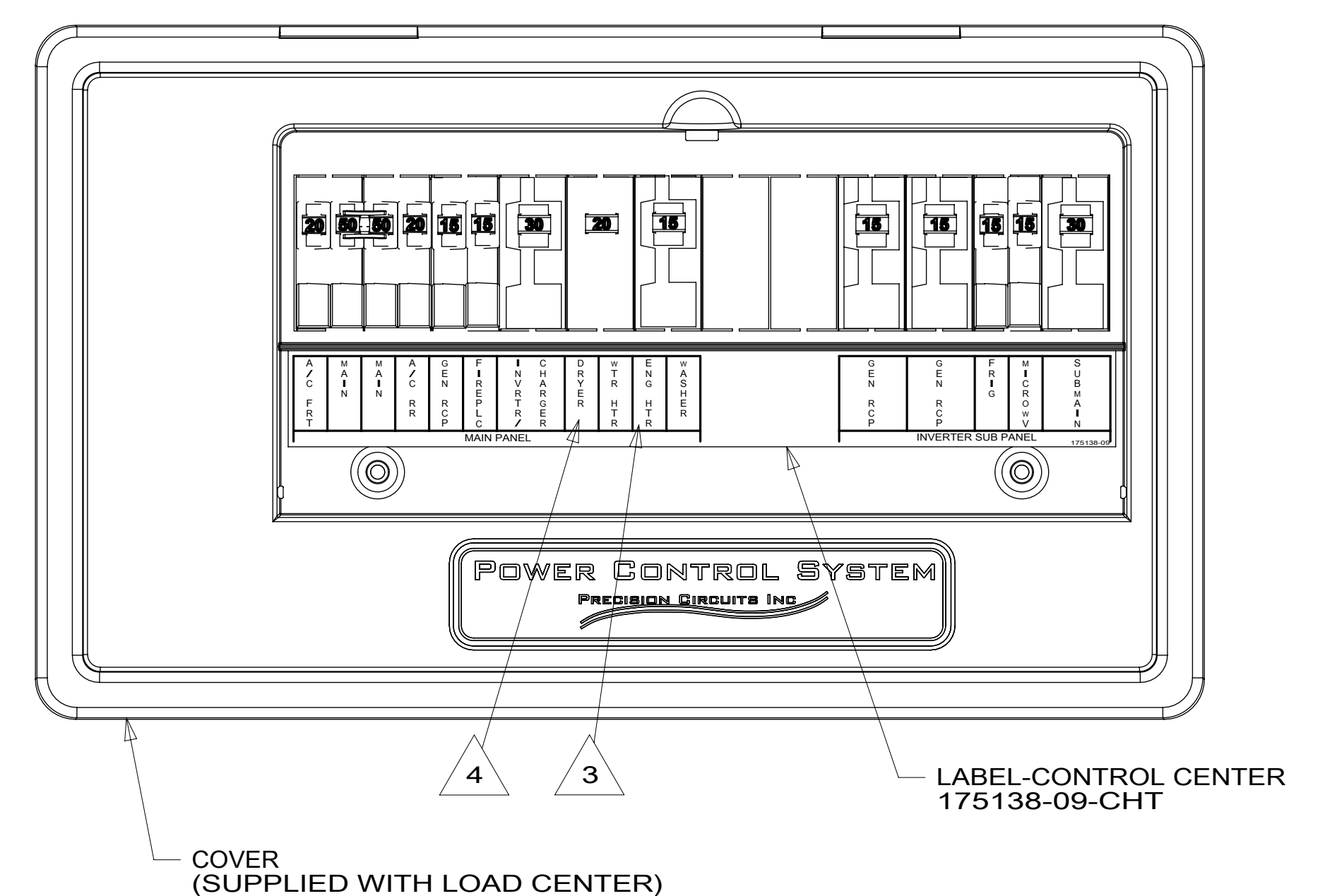
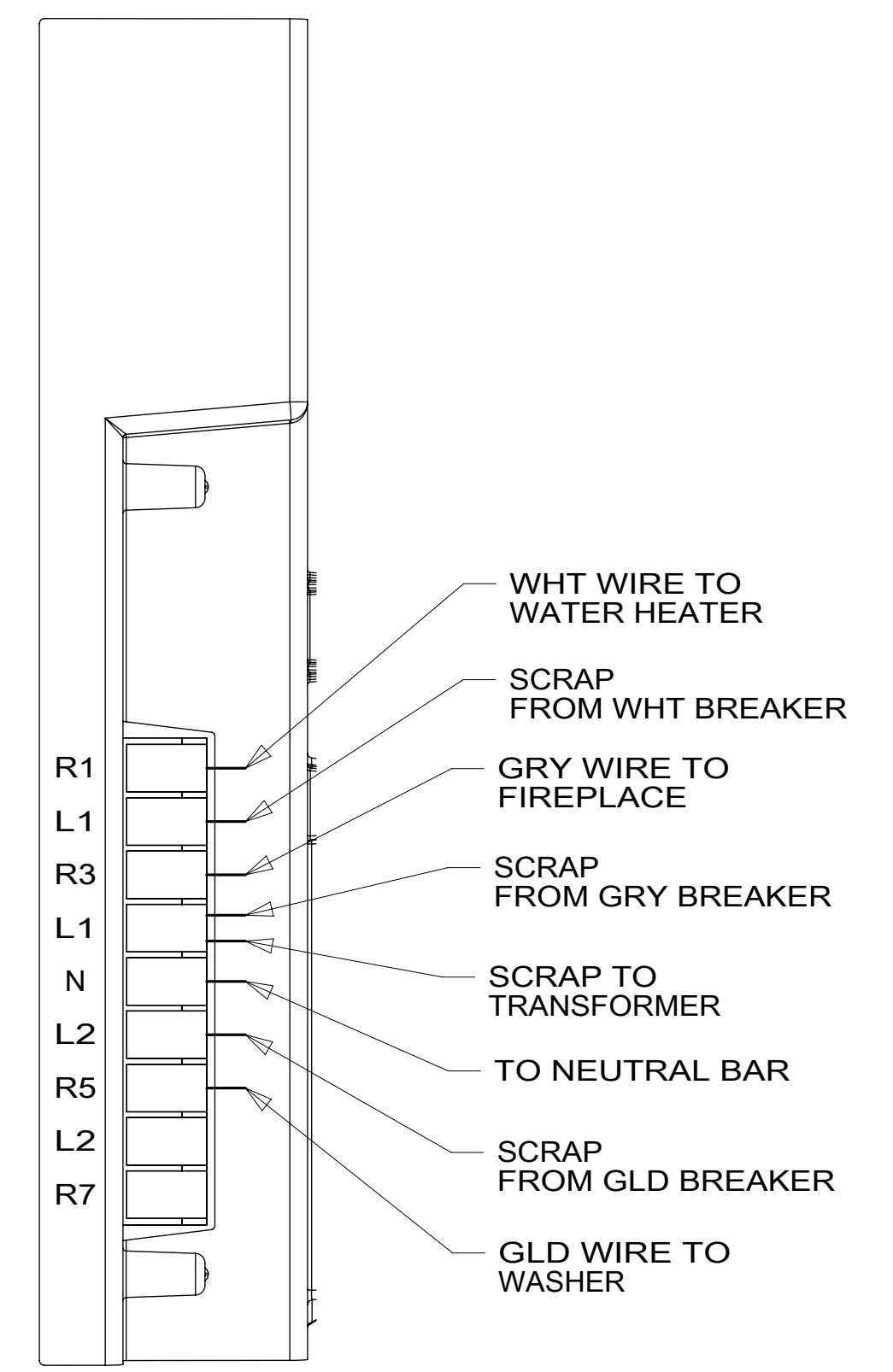
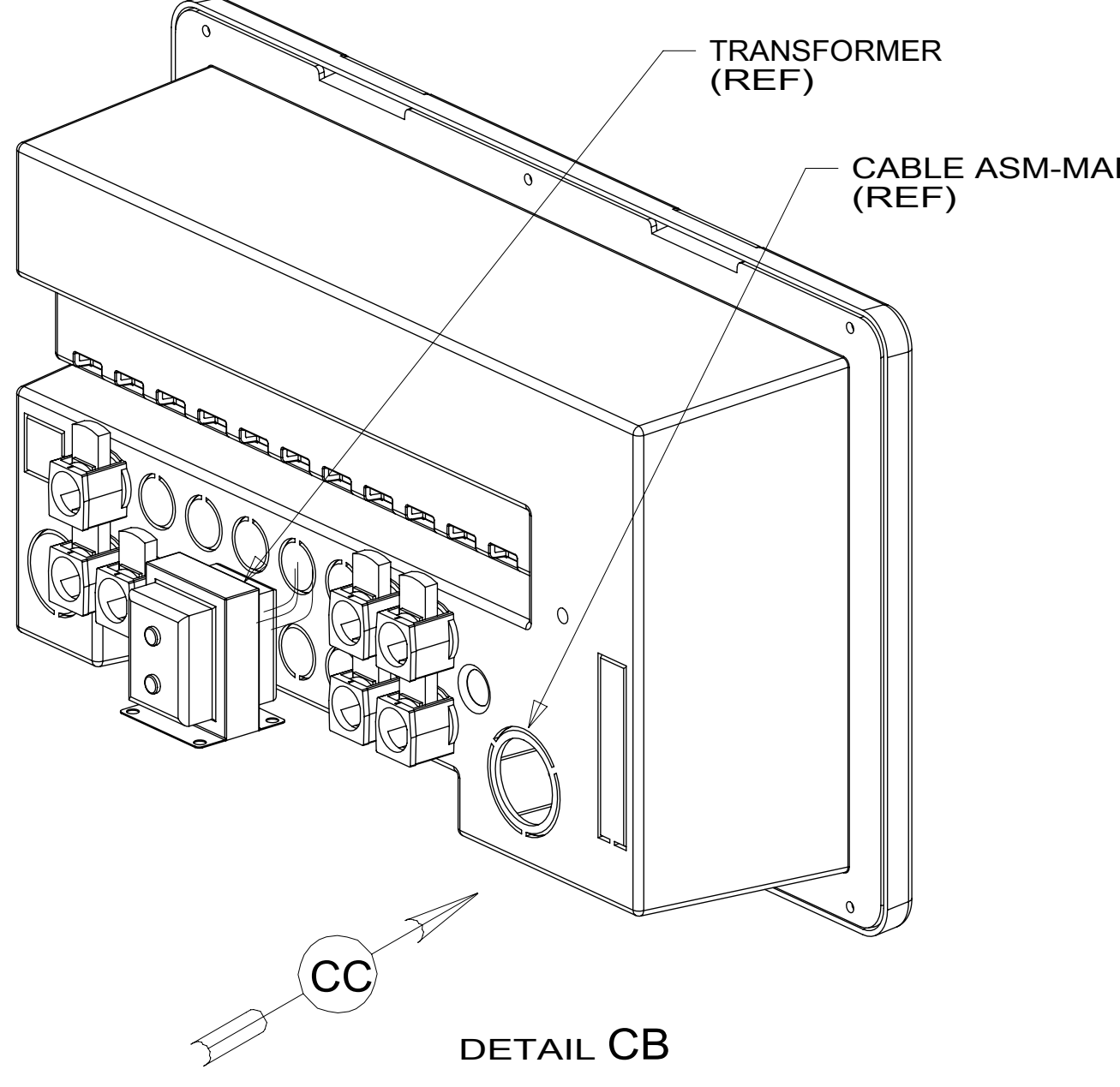
CIRCUIT BREAKER-15A, 120V 187505-01-000

CIRCUIT BREAKER-15/15A, 120V 187505-07-000

CIRCUIT BREAKER-15A, 120V 187505-01-000

CIRCUIT BREAKER-15/15A, 120V 187505-07-000

CIRCUIT BREAKER-30A, 120V 187505-03-000



TIEDOWN BRACKET (SUPPLIED WITH LOAD CENTER)

CONNECTOR 8356-02-000 (RED)(GRN)

BLK

RED

12 GA BLK SCRAP (300 MM)

14 GA BLK SCRAP (300 MM)

MODULE-CONTROL, PCS-50 AMP 174384-07-000  
DETAIL CA

R1

L1

R3

L1

N

L2

R5

L2

R7

14 GA BLK SCRAP (300 MM)

14 GA WHT SCRAP (200 MM)

CONNECTOR 8356-02-000 (INVERTER MAIN)

ALL MAIN PANEL NEUTRALS INCLUDING INVERTER-MAIN

TIEDOWN BRACKET (SUPPLIED WITH LOAD CENTER)

CONNECTOR 8356-02-000 (INVERTER SUB MAIN)

CONNECTOR 8356-02-000 (BLU)(PUR)

CONNECTOR 8356-02-000 (YEL)(BLK)

ALL GROUNDS

ALL INVERTER PANEL NEUTRALS INCLUDING INVERTER SUB-MAIN

LOADCENTER-PCS,50A W SUBPANEL 174384-03-000 (SHOWN WITH COVER REMOVED)

GROMMET 8385-01-000 MAIN GROUND WIRE

TRANSFORMER 158714-01-000  
DETAIL CB

14 GA BLK SCRAP (300 MM)

CONNECTOR 8356-02-000 (WHT)(GLD)

CONNECTOR 8356-02-000 (BRN)(GRY)

- 4 BLACKEN OUT DRYER.
- 3 BLACKEN OUT ENG HTR.

2. REMOVE 400MM FROM OUTER JACKET ON ALL WIRES ENTERING LOAD CENTER AND TRIM INDIVIDUAL CONDUCTORS AS REQUIRED TO MAKE INTERNAL CONNECTIONS
1. ALL GROUND WIRES TO BE COVERED WITH TUBING 8041-02-000.
- NOTES:

FOR ELECTRICAL TORQUE SPECIFICATIONS SEE DWG NO. 128783-01-000

FOR ELECTRICAL CALLOUTS SEE DWG NO. 121339-01-000

265	CODES/STANDARDS-CSA/CMVSS
1B1	CODES/STANDARDS USA
1B1	265
DESCRIPTION: <b>LOAD CENTER/ATS ASM</b>	
SHEET: 3 OF 3	ITEM/PART NO: 000002490 / 31200801000
REV 17-Jul-2017	