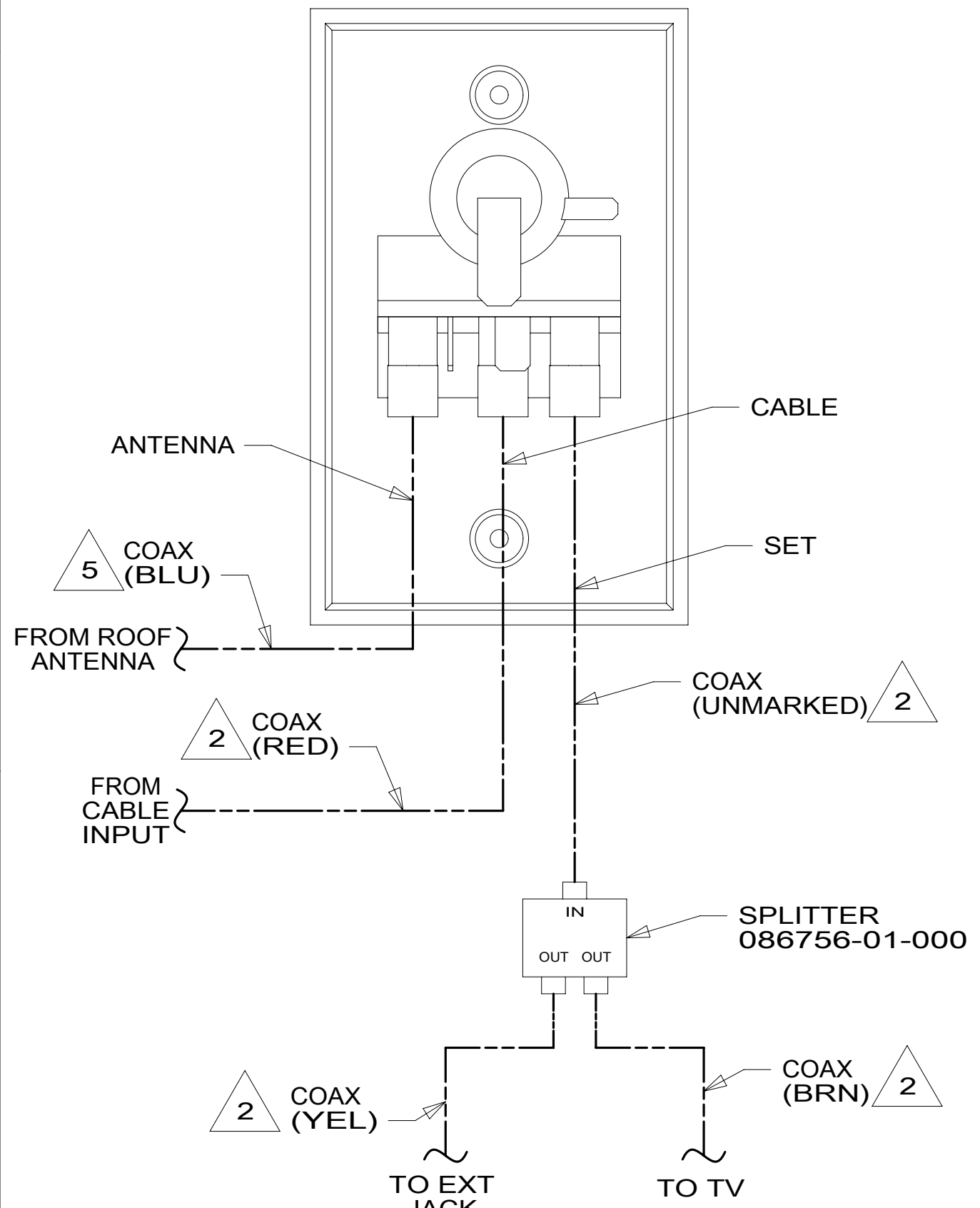
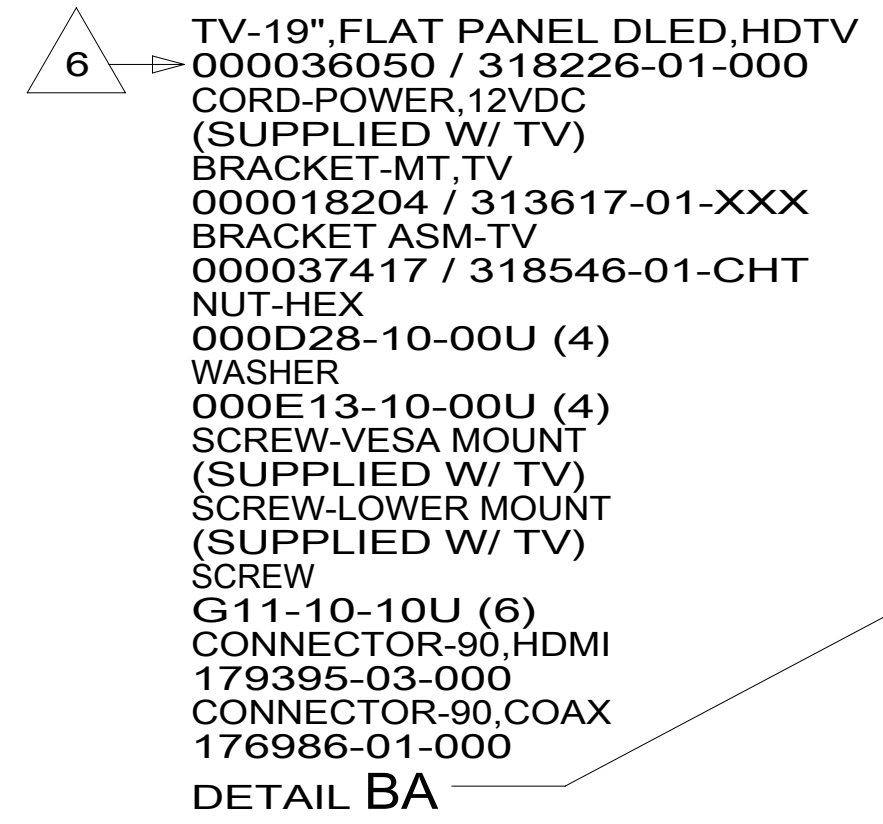


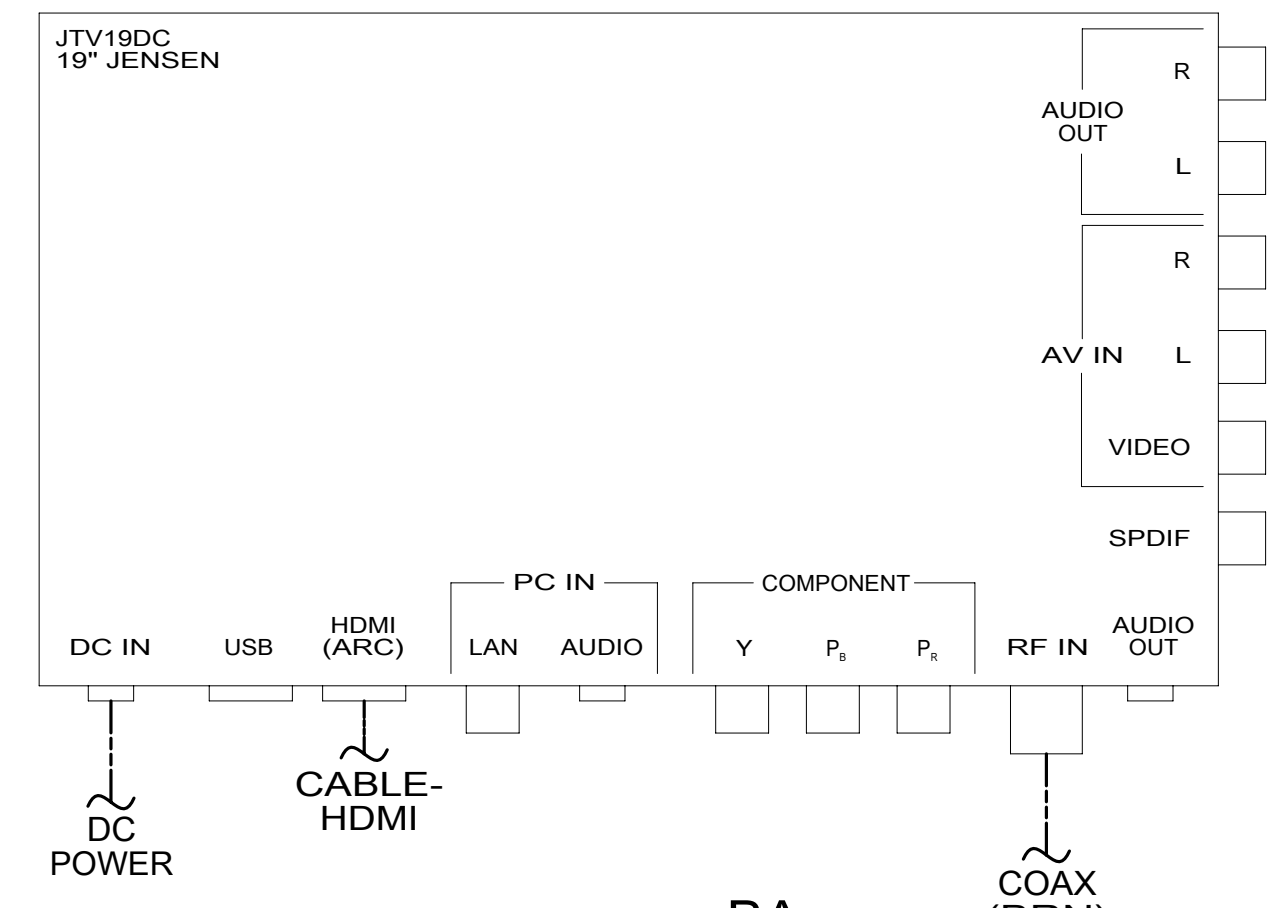
DETAIL BC



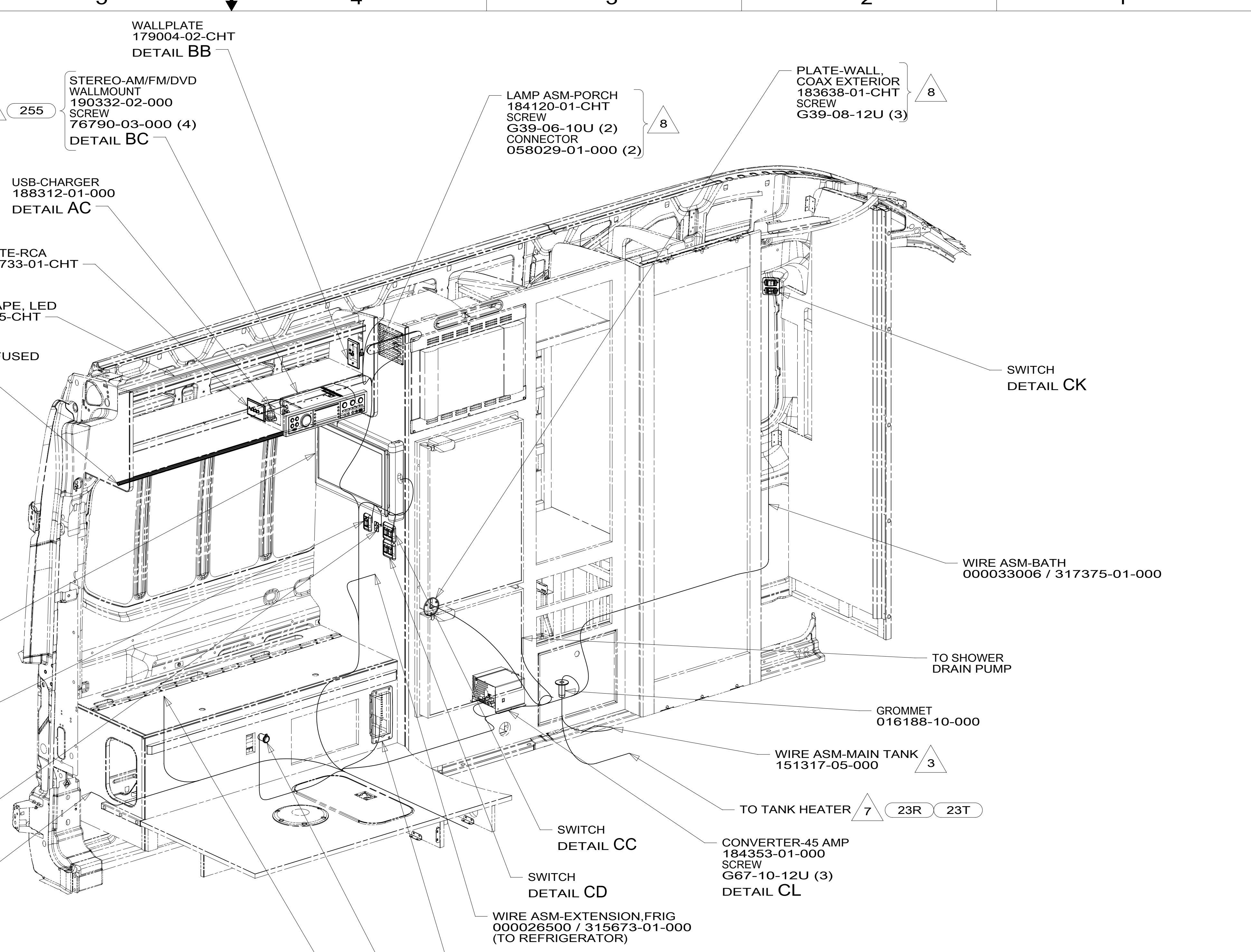
DETAIL BB



DETAIL BA



DETAIL BA



- 9 MOUNT TO VERTICAL SURFACE.
- 8 MOUNT ON EXTERIOR SURFACE OF VAN SIDEWALL.
- 7 WIRE ROUTED BELOW FLOOR.
- 6 ADJUST SETTINGS FOR HDMI ARC OPERATION.
- 5 SEE SHEET 4 FOR ADDITIONAL INFORMATION.
- 4 SEE HEATER INSTALLATION INSTRUCTIONS FOR ADDITIONAL INFORMATION.
- 3 SEE WIRING INSTL-CHASSIS FOR ADDITIONAL INFORMATION.
- 2 COAX IS PART OF WIRE ASM-LEFT.

1. AT MINIMUM ALL WIRES TO BE SUPPORTED AND SECURED PER CODE REQUIREMENTS. USE CLAMP 10495 OR 10497 OR WIRE TIE 8343 OR 108046 AND SCREW G67-XX-XXX OR G56-XX-XXX AS APPROPRIATE FOR INSTALLATION.

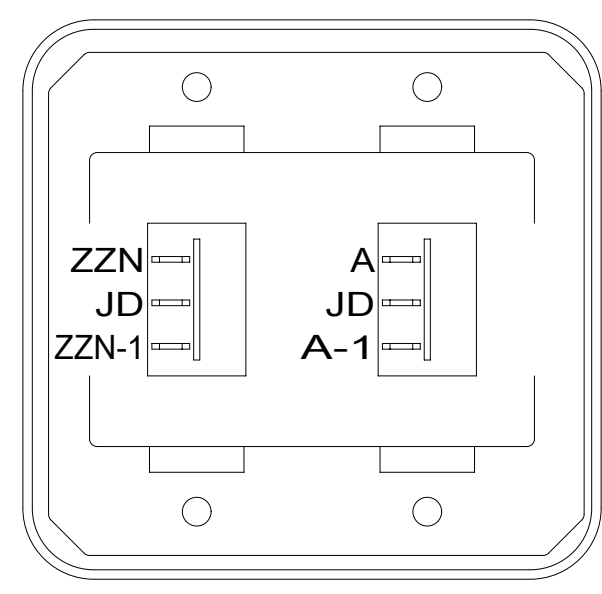
NOTES:

FOR ELECTRICAL TORQUE SPECIFICATIONS SEE DWG NO. 128783-01-000

FOR ELECTRICAL CALLOUTS SEE DWG NO. 121339-01-000

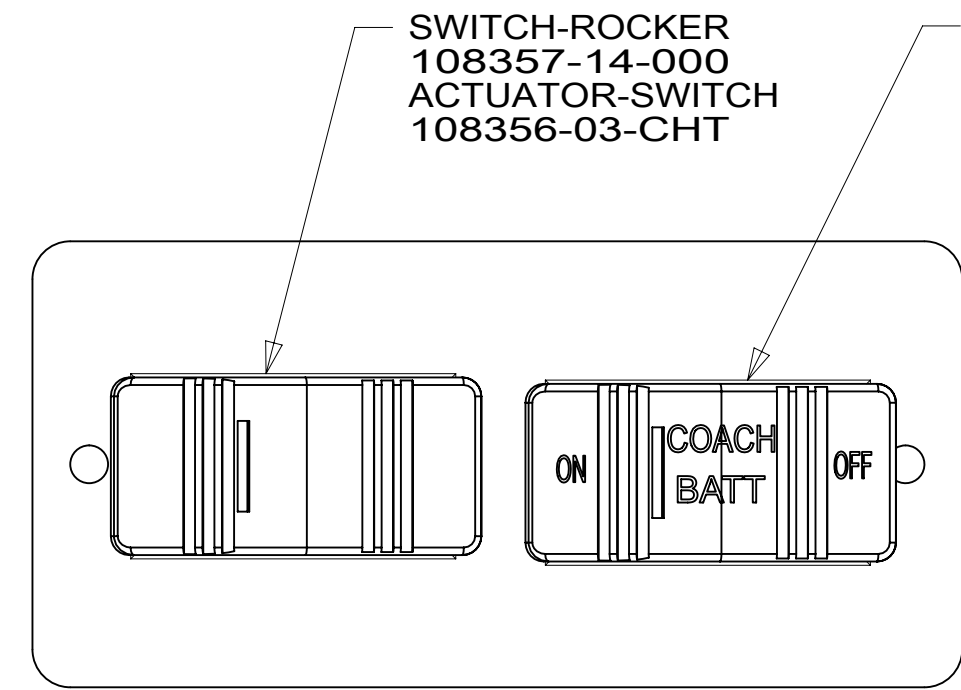
- 23R DRAINAGE SYSTEM/HEAT-PREWIRE
- 23T DRAINAGE SYSTEM-HEATED
- 255 RADIO/AM/FM/CD/DVD PLAYER
- 265 CODES/STANDARDS-CSA/CMVSS
- 1B1 CODES/STANDARDS USA

DESCRIPTION: <b>WIRING INSTL-BODY, 12V</b>		
SHEET: 2 OF 5	ITEM/PART NO: 00002031 / 3120010100	REV



SWITCH-ROCKER  
135740-04-CHT (2)  
SWITCH-BASE  
135741-02-CHT  
SWITCH-BEZEL  
135742-02-CHT  
SCREW  
G11-08-08U (4)

DETAIL CA

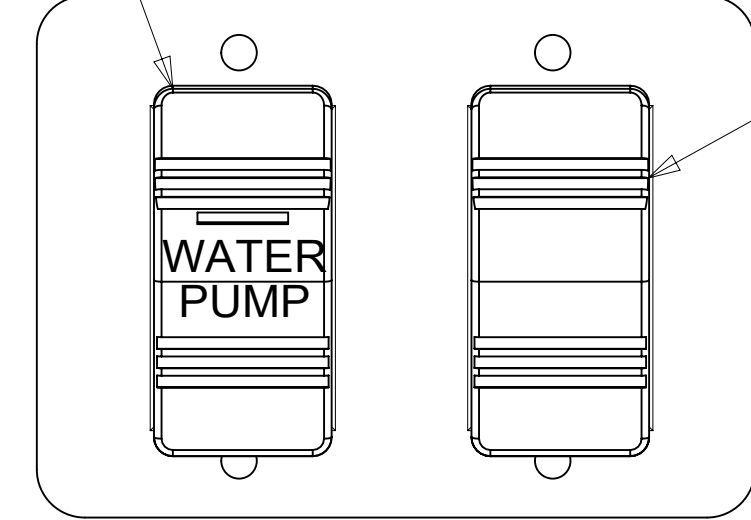


SWITCH-ROCKER  
108357-14-000  
ACTUATOR-SWITCH  
108356-03-CHT

SWITCH-ROCKER  
108357-18-000  
ACTUATOR-SWITCH  
108356-19-CHT  
WIRE ASM-THERM  
186796-01-000

PLATE-SWITCH  
164352-06-CHT  
SCREW  
G11-06-10U (2)

DETAIL CE

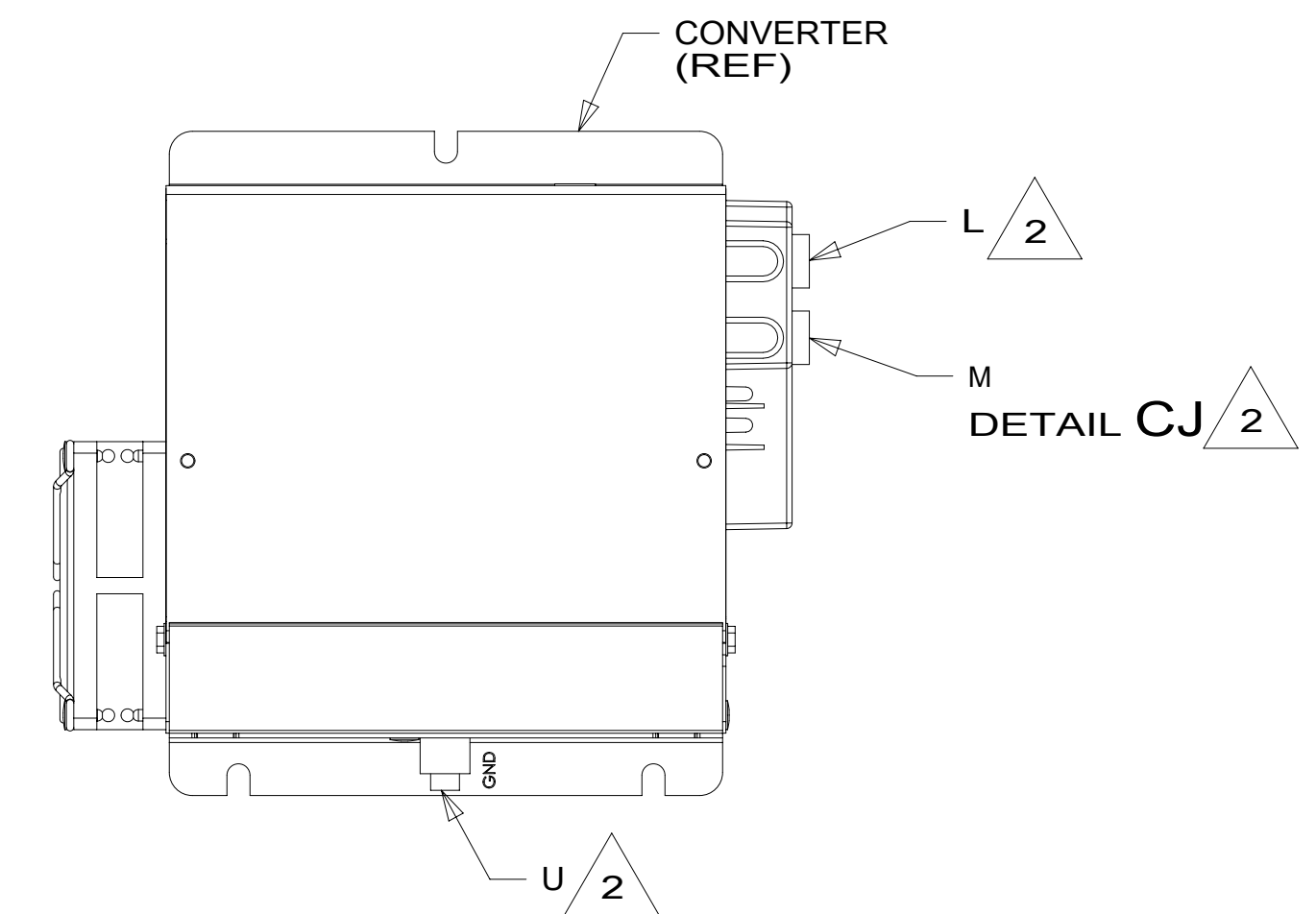


SWITCH-ROCKER  
108357-21-000  
ACTUATOR-SWITCH  
108356-23-CHT

SWITCH-ROCKER  
108357-01-000  
ACTUATOR-SWITCH  
108356-01-CHT

PLATE-SWITCH  
158431-17-CHT  
SCREW  
G11-06-10U (4)

DETAIL CH



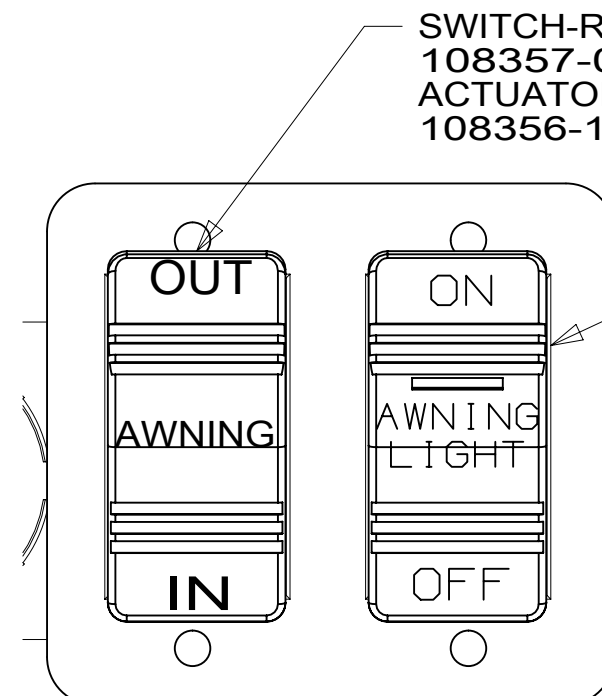
CONVERTER  
(REF)

L 2

M

DETAIL CJ 2

DETAIL CL

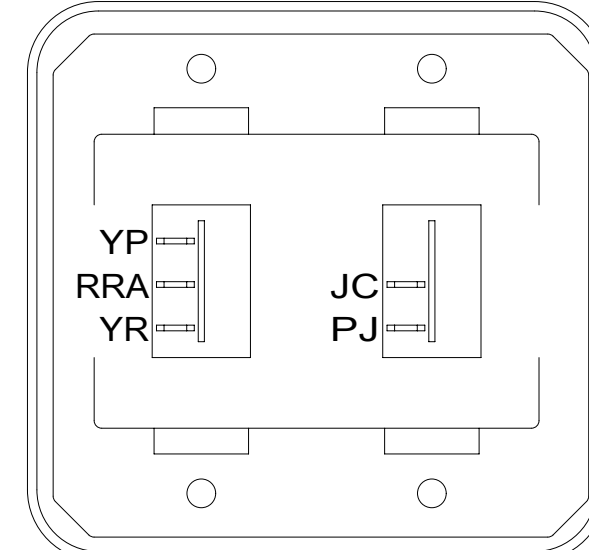


SWITCH-ROCKER  
108357-07-000  
ACTUATOR-SWITCH  
108356-12-CHT

SWITCH-ROCKER  
108357-14-000  
ACTUATOR-SWITCH  
108356-28-CHT

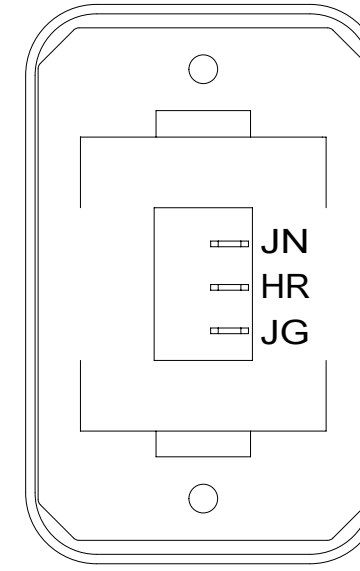
PLATE-SWITCH  
158431-19-CHT  
SCREW  
G11-06-10U (4)

DETAIL CB



SWITCH-ROCKER  
135740-01-CHT  
135740-02-CHT  
SWITCH-BASE  
135741-01-CHT  
SWITCH-BEZEL  
135742-01-CHT  
SCREW  
G11-08-08U (4)

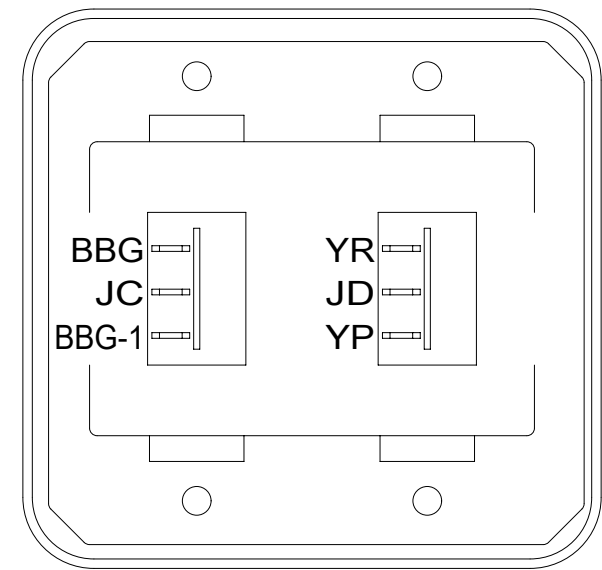
DETAIL CF



HOLDING TANK HEATER  
TURN OFF When Not In Use  
SEE OPERATORS MANUAL

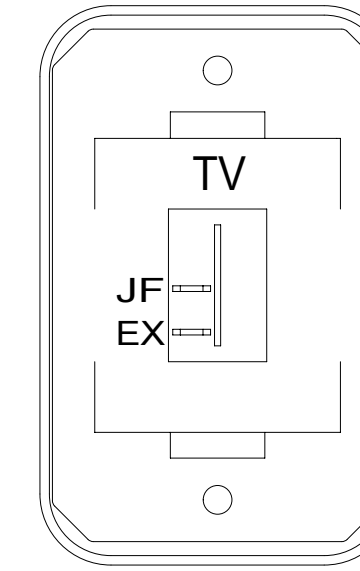
DETAIL CM 23T 23R

SWITCH-ROCKER  
135740-06-CHT  
SWITCH-BASE  
135741-01-CHT  
SWITCH-BEZEL  
135742-01-CHT  
SCREW  
G11-08-08U (2)  
LABEL-SWITCH  
134563-01-CHT



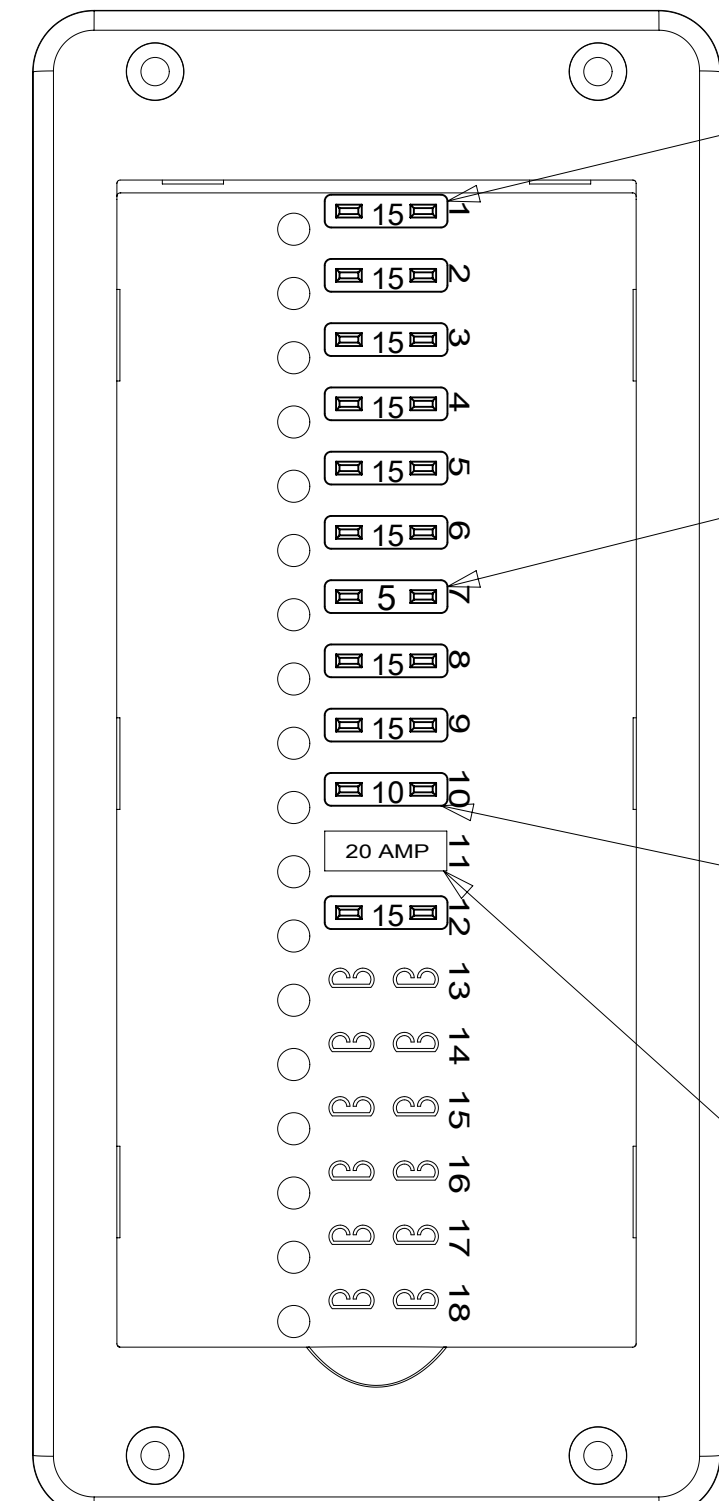
SWITCH-ROCKER  
135740-02-CHT  
135740-04-CHT  
SWITCH-BASE  
135741-02-CHT  
SWITCH-BEZEL  
135742-02-CHT  
SCREW  
G11-08-08U (4)

DETAIL CC



SWITCH-ROCKER  
135740-01-CHT  
SWITCH-BASE  
135741-01-CHT  
SWITCH-BEZEL  
135742-01-CHT  
SCREW  
G11-08-08U (2)

DETAIL CG



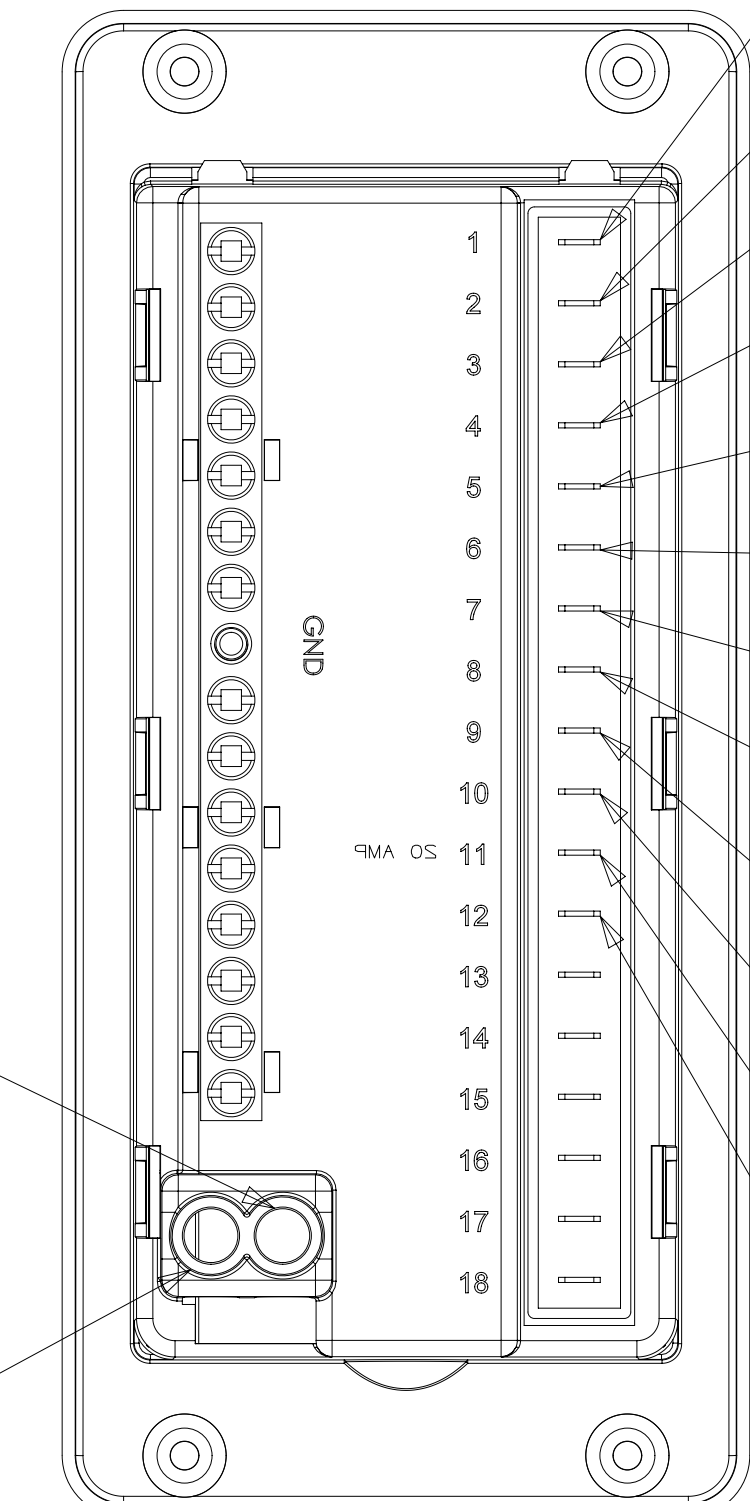
FUSE-15 AMP  
062901-05-000 (9)

FUSE-5 AMP  
062901-02-000

FUSE-10 AMP  
062901-04-000

CIRCUIT BREAKER-20 AMP  
184387-01-000

DETAIL CJ  
(COVER REMOVED)



JC  
14 Y  
(LIGHTS)

JD  
14 Y  
(LIGHTS)

JE  
14 Y  
(USB CHARGER)

JF  
14 Y  
(TV/RADIO)

JG  
14 Y  
(VENT)

NM  
12 Y  
(AWNING)

WB  
16 Y  
(LP DETECTOR)

JA  
12 Y  
(WATER/SHOWER PUMP)

ET  
10 Y  
(REFRIG)

JB  
10 Y  
(HEATER)

FFZ  
10 Y  
(MACERATOR)

BBZ  
12 Y  
(TANK HEATERS)

DETAIL CJ  
(BACK SIDE)

1	LIGHTS	10	HEATER
15	A FUSE MAX	20	A FUSE MAX
2	LIGHTS	11	MACERATOR
15	A FUSE MAX	20	A FUSE MAX
3	USB CHARGER	12	TANK HEATERS
15	A FUSE MAX	20	A FUSE MAX
4	TV/RADIO	13	
15	A FUSE MAX	20	A FUSE MAX
5	VENT	14	
15	A FUSE MAX	20	A FUSE MAX
6	AWNING	15	
15	A FUSE MAX	20	A FUSE MAX
7	LP DETECTOR	16	
15	A FUSE MAX	20	A FUSE MAX
8	WATER/SHOWER PUMP	17	
15	A FUSE MAX	20	A FUSE MAX
9	REFRIG	18	
15	A FUSE MAX	20	A FUSE MAX

DETAIL CJ  
(BACK SIDE OF COVER)

- 23T DRAINAGE SYSTEM-HEATED
- 23R DRAINAGE SYSTEM/HEAT-PREWIRE
- 265 CODES/STANDARDS-CSA/CMVSS
- 1B1 CODES/STANDARDS USA

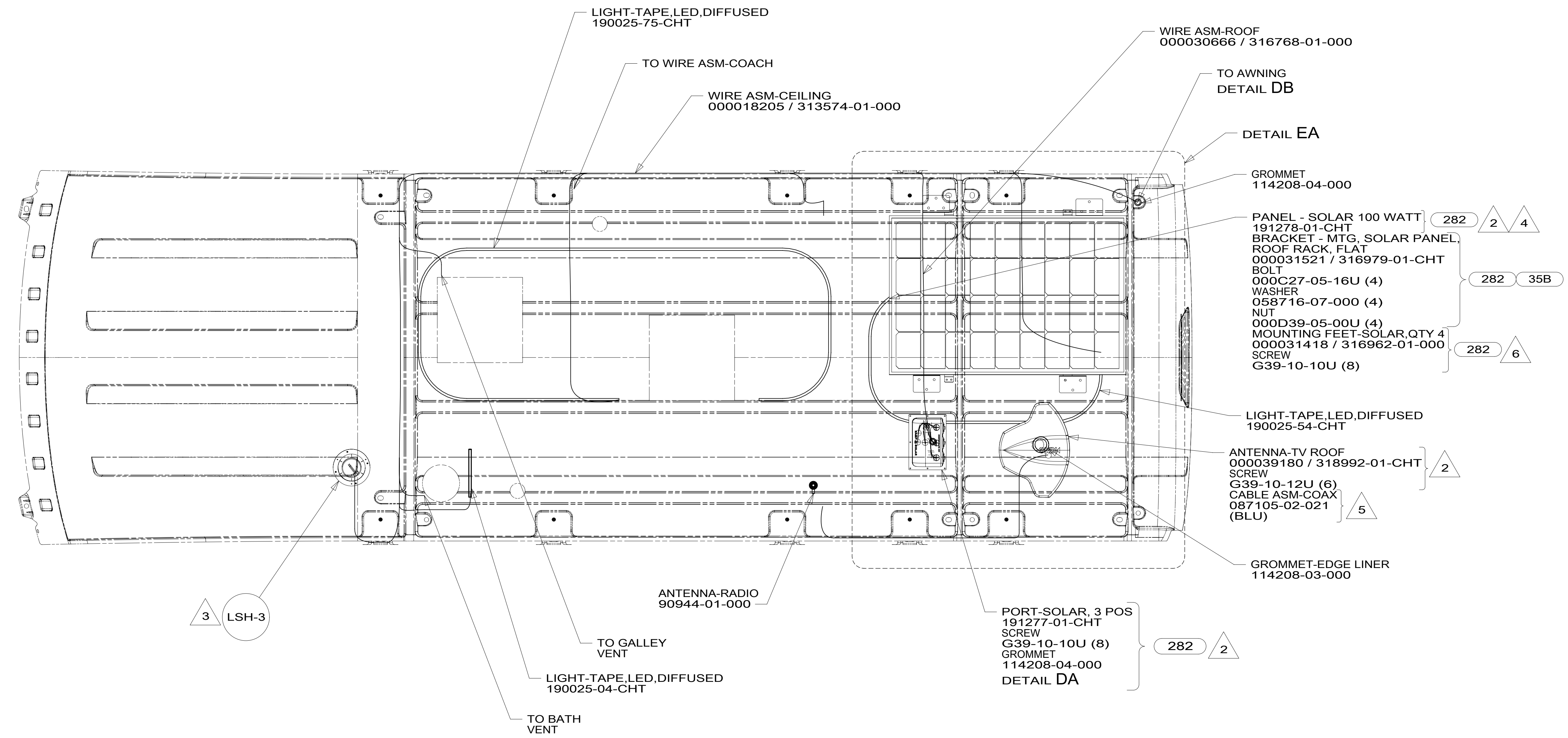
NOTES:  
 2 CIRCUIT FROM WIRE ASM-COACH.  
 1 CIRCUIT FROM WIRE ASM-CHASSIS

FOR ELECTRICAL TORQUE SPECIFICATIONS SEE DWG NO. 128783-01-000

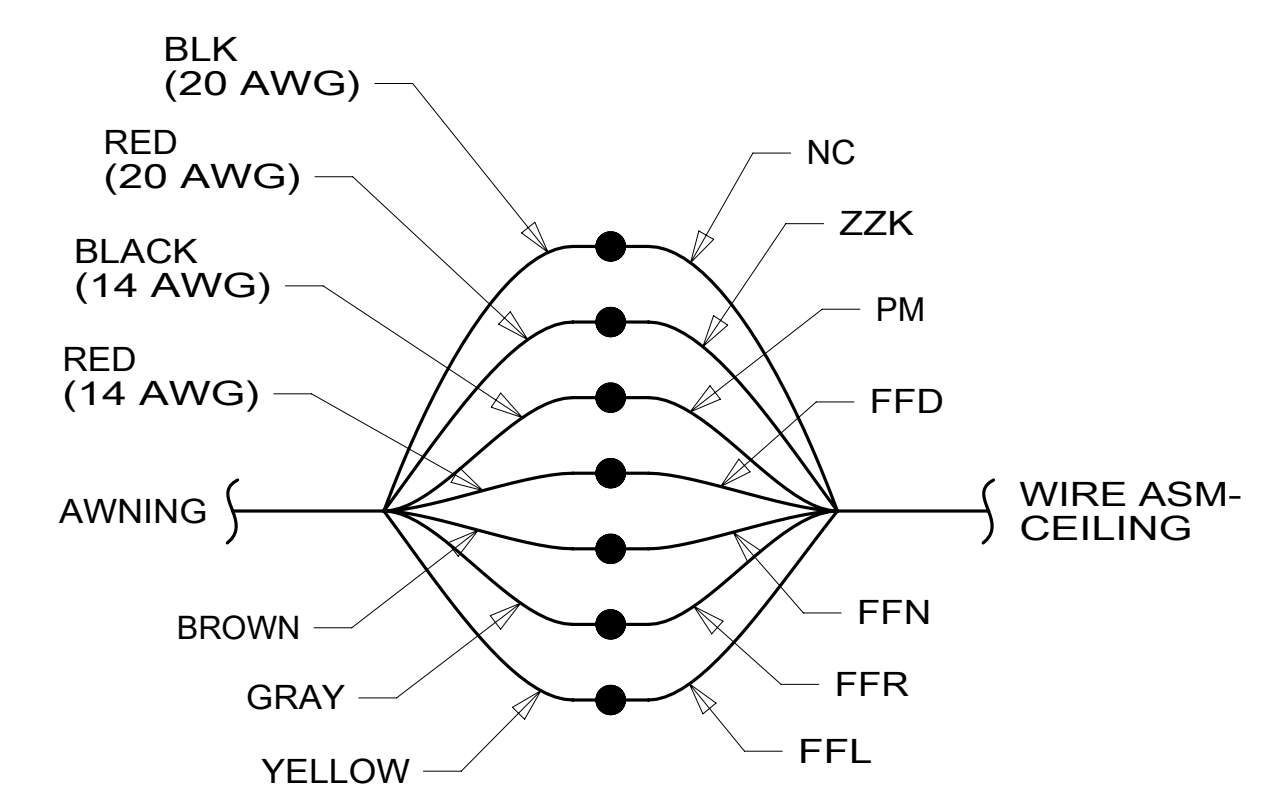
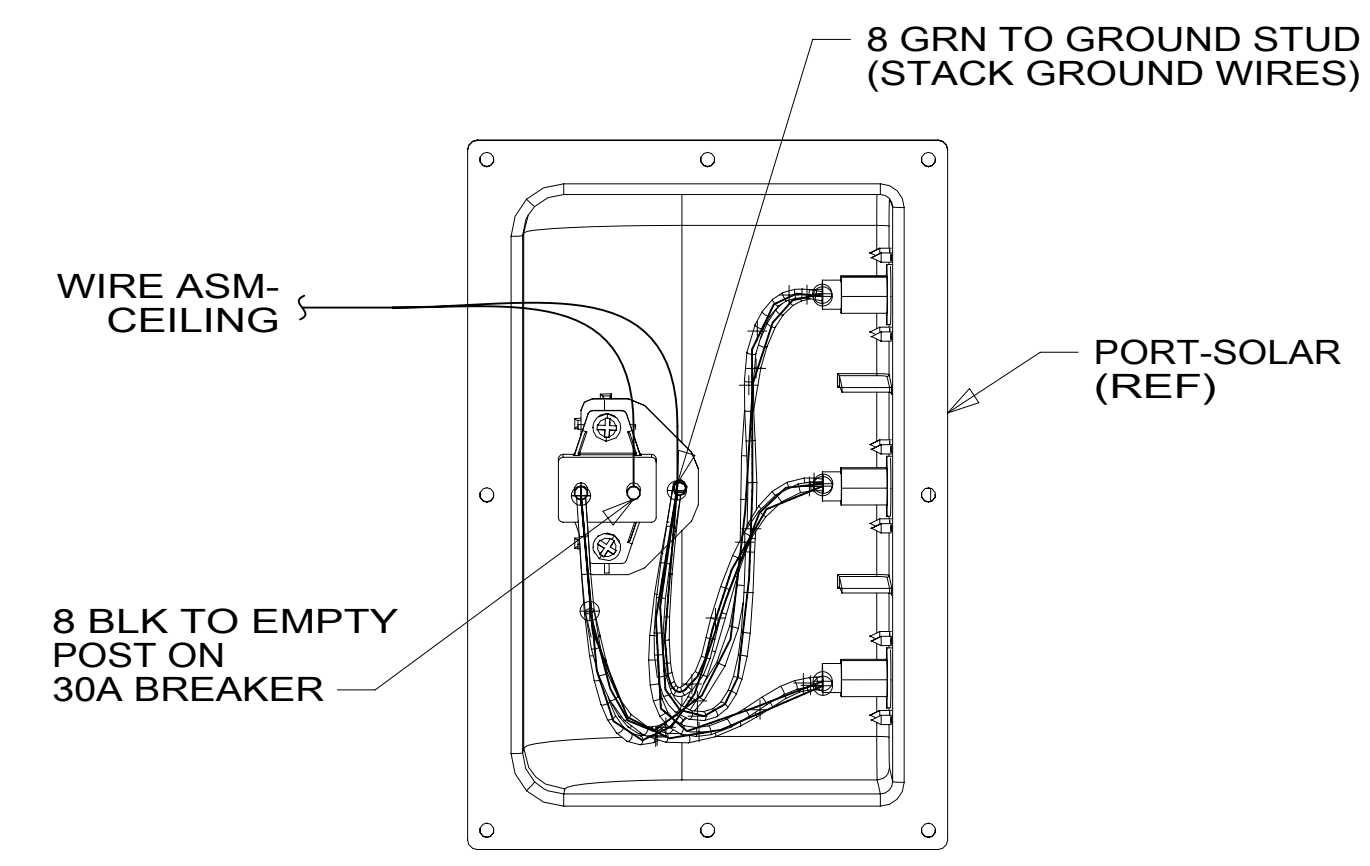
FOR ELECTRICAL CALLOUTS SEE DWG NO. 121339-01-000

DESCRIPTION: 1B1 265  
**WIRING INSTL-BODY, 12V**  
 SHEET: 3 OF 5 ITEM/PART NO.: 000002031 / 31200101000 REV





3 LSH-3



- 6 WITHOUT 35B
- 5 ROUTE CABLE TO ANTENNA PLATE IN OVHD CABINET.
- 4 ADJUST ROOF RAILS SO THAT THEY ARE NOT DIRECTLY OVER THE SOLAR PANEL.
- 3 MOUNTED ON INTERIOR SURFACE OF ROOF.
- 2 MOUNTED ON EXTERIOR SURFACE OF ROOF.

1. AT MINIMUM ALL WIRES TO BE SUPPORTED AND SECURED PER CODE REQUIREMENTS. USE CLAMP 10495 OR 10497 OR WIRE TIE 8343 OR 108046 AND SCREW G67-XX-XXX OR G56-XX-XXX AS APPROPRIATE FOR INSTALLATION.

NOTES:

- 35B LUGGAGE RACK
- 282 SOLAR PANEL - 100 WATT
- 265 CODES/STANDARDS-CSA/CMVSS
- 1B1 CODES/STANDARDS USA

FOR ELECTRICAL TORQUE SPECIFICATIONS SEE DWG NO. 128783-01-000

FOR ELECTRICAL CALLOUTS SEE DWG NO. 121339-01-000

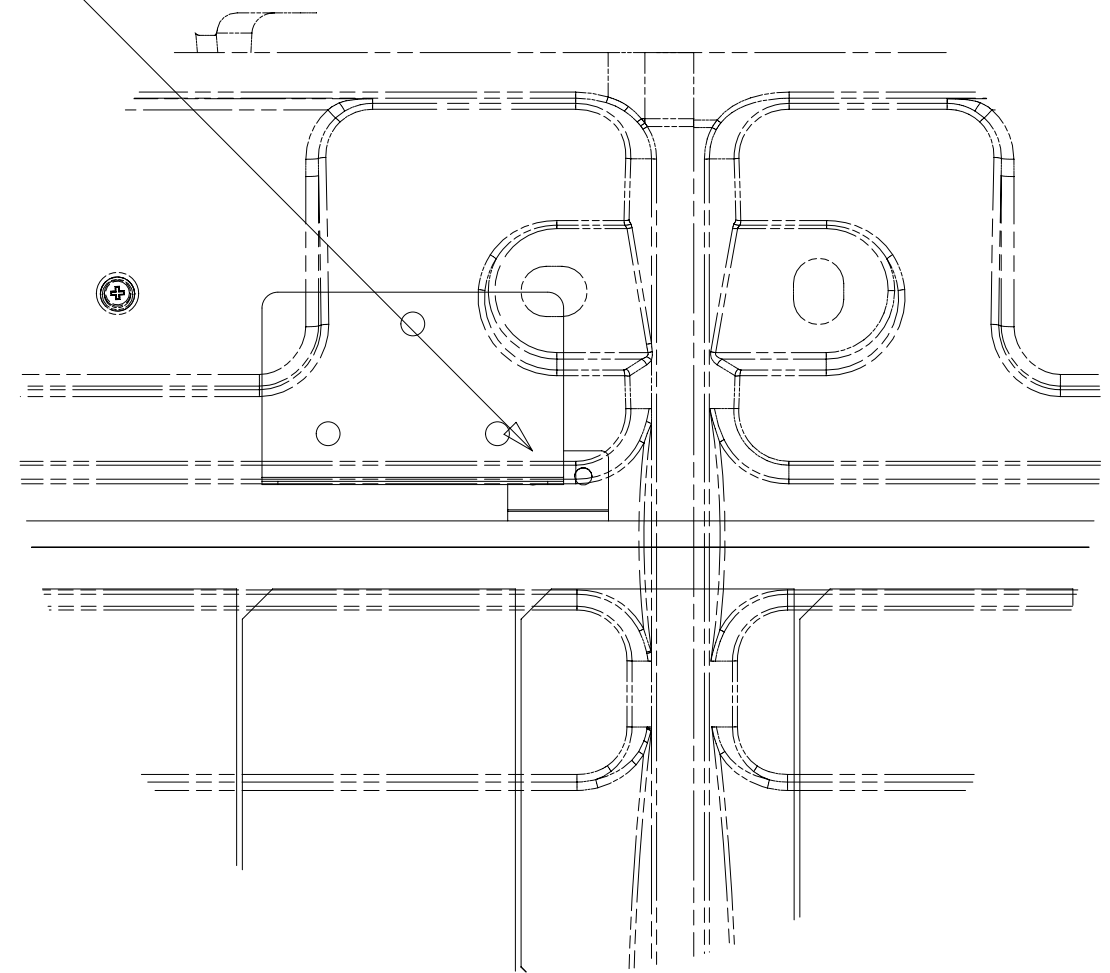
DESCRIPTION: 1B1 265		
WIRING INSTL-BODY, 12V		
SHEET: 4 OF 5	ITEM/PART NO: 000002031 / 31200101000	REV:

8 7 6 5 4 3 2 1

D  
C  
B  
A

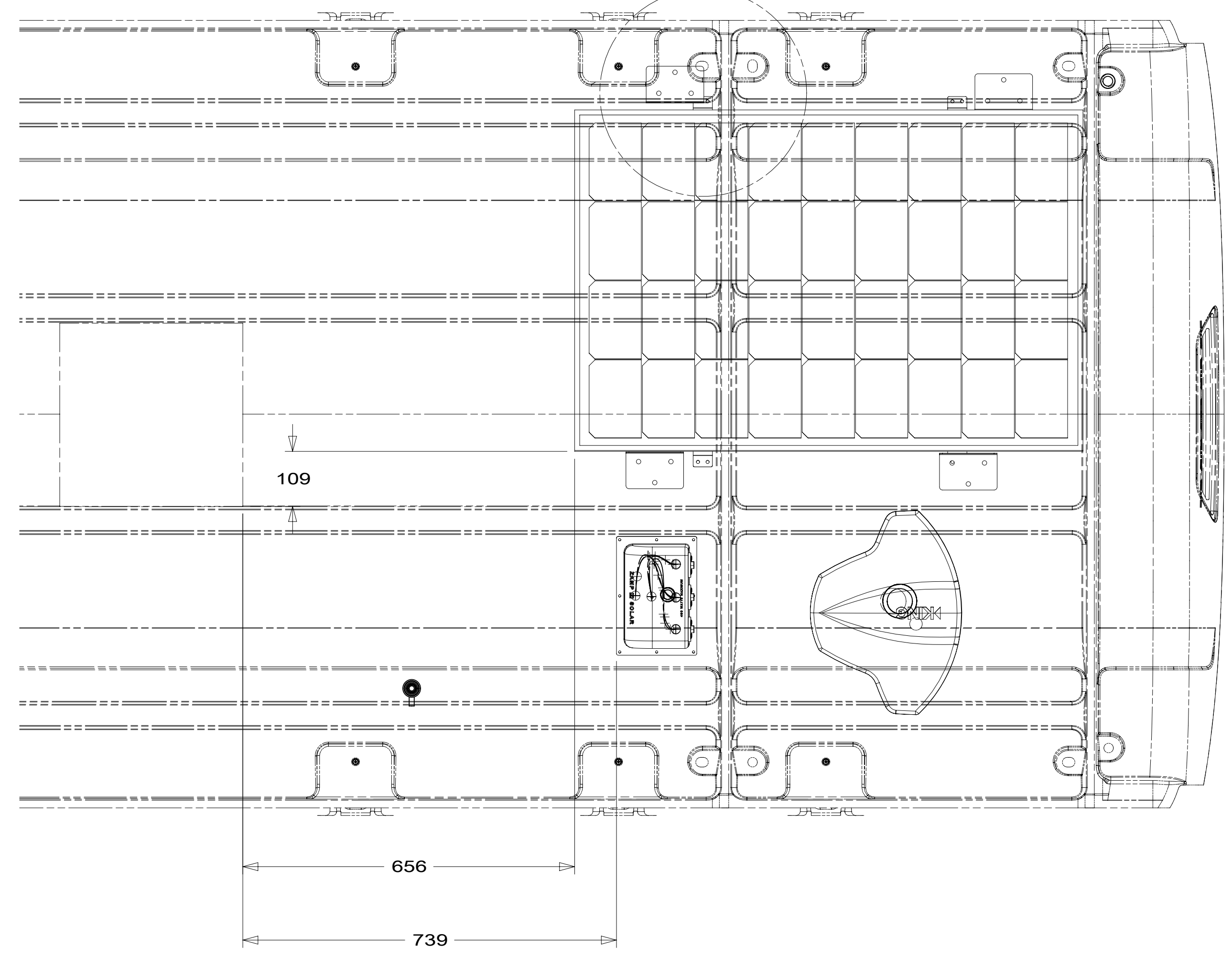
D  
C  
B  
A

LINE UP MOUNTING FOOT WITH CONTOUR IN ROOF



DETAIL EB

DETAIL EB



DETAIL EA 2

2 ADJUST ROOF RAILS SO THAT THEY ARE NOT DIRECTLY OVER THE SOLAR PANEL.

1. AT MINIMUM ALL WIRES TO BE SUPPORTED AND SECURED PER CODE REQUIREMENTS. USE CLAMP 10495 OR 10497 OR WIRE TIE 8343 OR 108046 AND SCREW G67-XX-XXX OR G56-XX-XXX AS APPROPRIATE FOR INSTALLATION.

NOTES:

265 CODES/STANDARDS-CSA/CMVSS  
1B1 CODES/STANDARDS USA

FOR ELECTRICAL TORQUE SPECIFICATIONS SEE DWG NO. 128783-01-000

FOR ELECTRICAL CALLOUTS SEE DWG NO. 121339-01-000

DESCRIPTION:		1B1 265	
<b>WIRING INSTL-BODY, 12V</b>			
SHEET:	ITEM/PART NO.:	REV	
5 OF 5	000002031 / 31200101000		

8 7 6 5 4 3 2 1 24-Jan-2017