

8	7	6	5	4	3	2	1
DRAWING NO.	MODEL	SHEETS					
193163-01	623L	1,2,3					
193163-02	623D	1,4,5					

RELEASE	REV/DATE	DWG NO	193163
REV ZONE	REVISION RECORD	DATE	DFT-ORIG

		623L	623D
RED	1B1	136135-07-042	136135-07-040
	265	136136-07-042	136136-07-040
YEL	1B1	136131-05-014	136131-05-018
	265	136134-05-014	136134-05-018
BLK	1B1	136131-06-045	136131-06-018
	265	136134-06-045	136134-06-018
BRN	1B1	136131-03-045	136131-03-045
	265	136134-03-045	136134-03-045
BLU	1B1	136131-02-136	136131-02-160
	265	136134-02-136	136134-02-160
THROW IN WIRE #1	1B1		136131-05-015
	265		136134-05-015
WHT	1B1		
	265		
GENERATOR EXTENSION	1B1	136137-01-065	
	265	136138-01-065	
MAIN	1B1	136137-01-080	136137-01-085
	265	136138-01-080	136138-01-085
GROUND MAIN		136145-06-025	136145-06-035

D  
C  
B  
A

D  
C  
B  
A

- CODES/STANDARDS-CSA/CMVSS
- CODES/STANDARDS USA
- 

		COPYRIGHT 2014 WINNEBAGO INDUSTRIES, INC.	
DFT-ORIG	ORIG. DATE	ALL DIMENSIONS ARE IN MILLIMETERS	
CHKR		FIRST USED	
P.E.		16 600-SERIES	
M.E.		MATERIAL:	
DSNR		UNSPECIFIED TOLERANCES ARE:	
		WHOLE DIM (X)	: 3
		ONE-PLACE (X.X)	: 1.5
		TWO-PLACE (X.XX)	: 0.50
		ANGLE	: 1°
THIRD ANGLE PROJECTION		DO NOT SCALE DRAWING REFER TO ES0018 FOR FASTENER TIGHTENING GUIDELINES	
TITLE: <b>LOAD CENTER/ATS ASM</b>			
SHEET 1 OF 5	PART NO	193163	REV
REF:	1	17-Nov-2015	

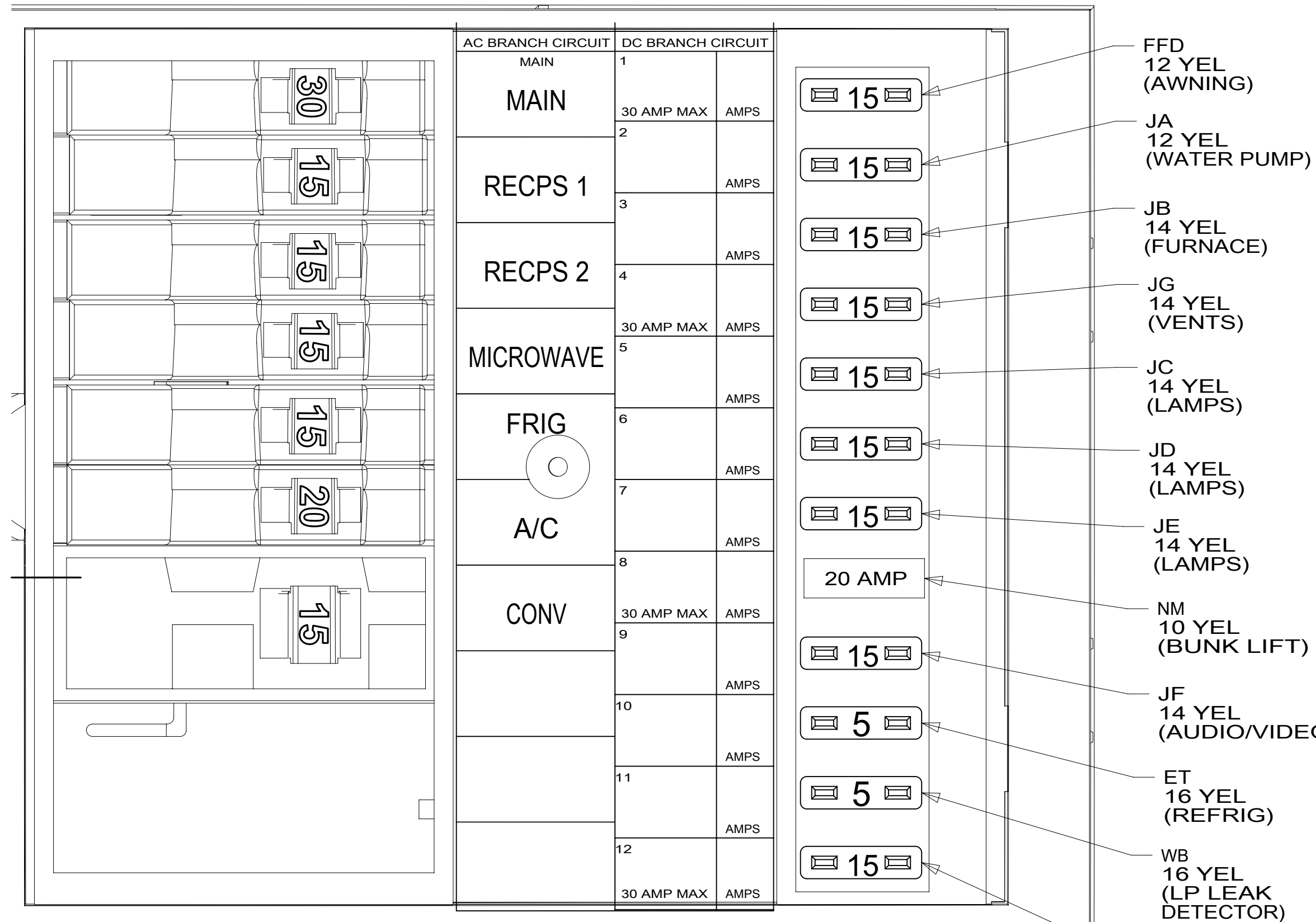
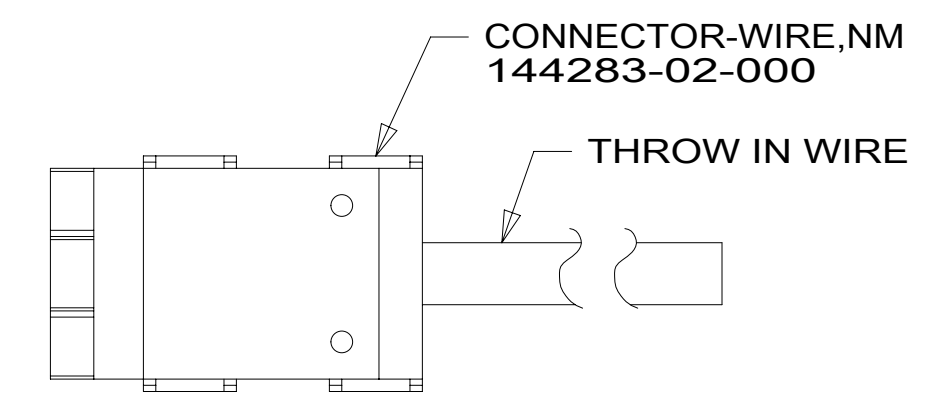
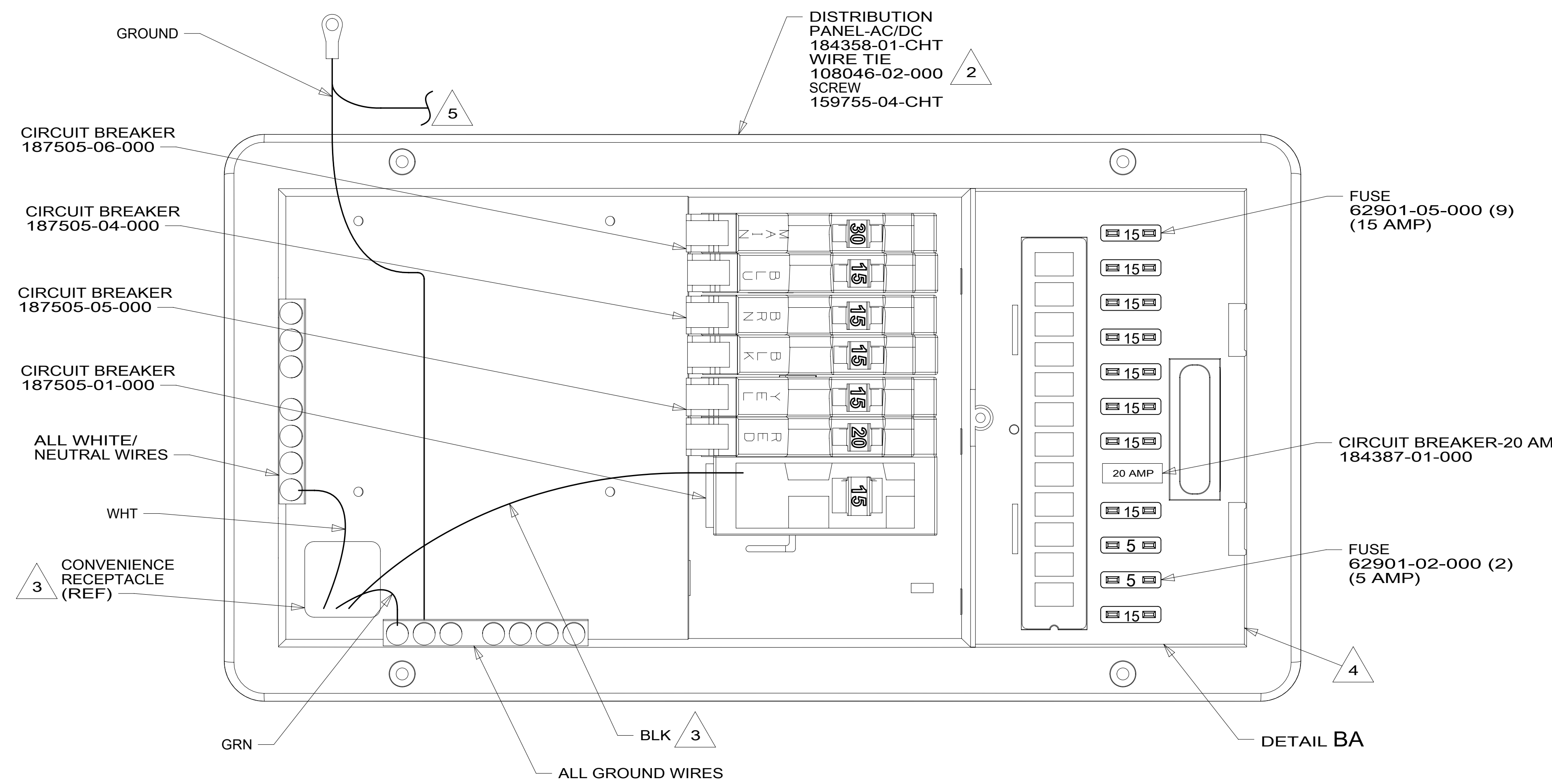
FOR CONNECTOR INSTALLATION SEE DETAIL BB.

- NOTES:
- ALL GROUNDS WIRES TO BE COVERED WITH TUBING 8041-02-000.

FOR ELECTRICAL  
TORQUE  
SPECIFICATIONS  
SEE DWG NO.  
128783-01-000

FOR  
ELECTRICAL  
CALLOUTS  
SEE DWG NO.  
121339-01-000

\*193163\*



- 5 CONNECT ONE GROUND WIRE TO GROUND BAR INSIDE DISTRIBUTION PANEL. CONNECT ONE GROUND WIRE TO DC GROUND BAR ON BACK SIDE OF DISTRIBUTION PANEL.
- 4 SEE WIRING INSTL-BODY, 12V FOR ADDITIONAL INFORMATION.
- 3 CONNECT BLACK WIRE FROM CONVENIENCE RECEPTACLE TO DEDICATED CIRCUIT BREAKER.
- 2 ATTACH TO UNUSED SCREW HOLE ON BACK SIDE OF PANEL TO SECURE WIRES. USE TO SECURE WIRES TO BACKSIDE OF LOAD CENTER.
1. ALL GROUND WIRES TO BE COVERED WITH TUBING 8041-02-000.

FOR ELECTRICAL TORQUE SPECIFICATIONS SEE DWG NO. 128783-01-000

FOR ELECTRICAL CALLOUTS SEE DWG NO. 121339-01-000

- 265 CODES/STANDARDS-CSA/CMVSS
- 1B1 CODES/STANDARDS USA

FIRST USED

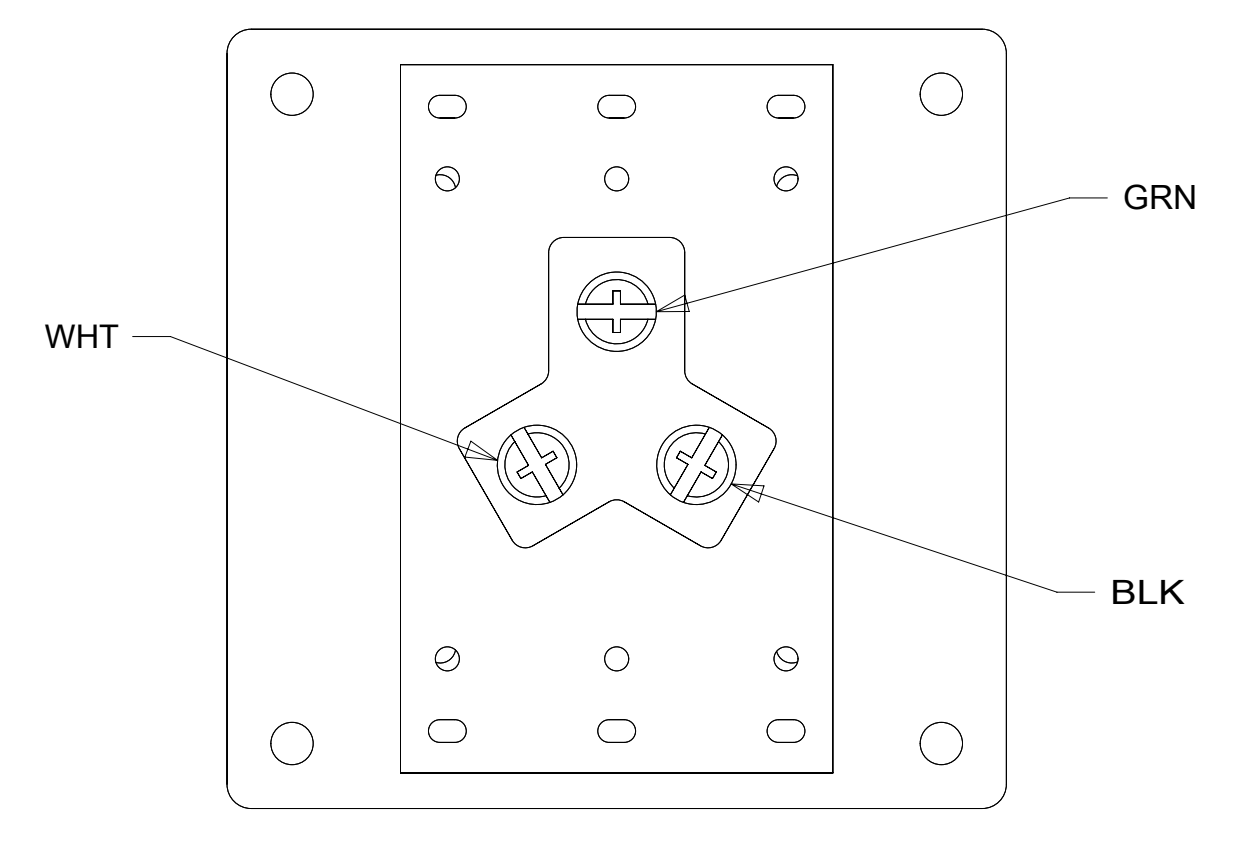
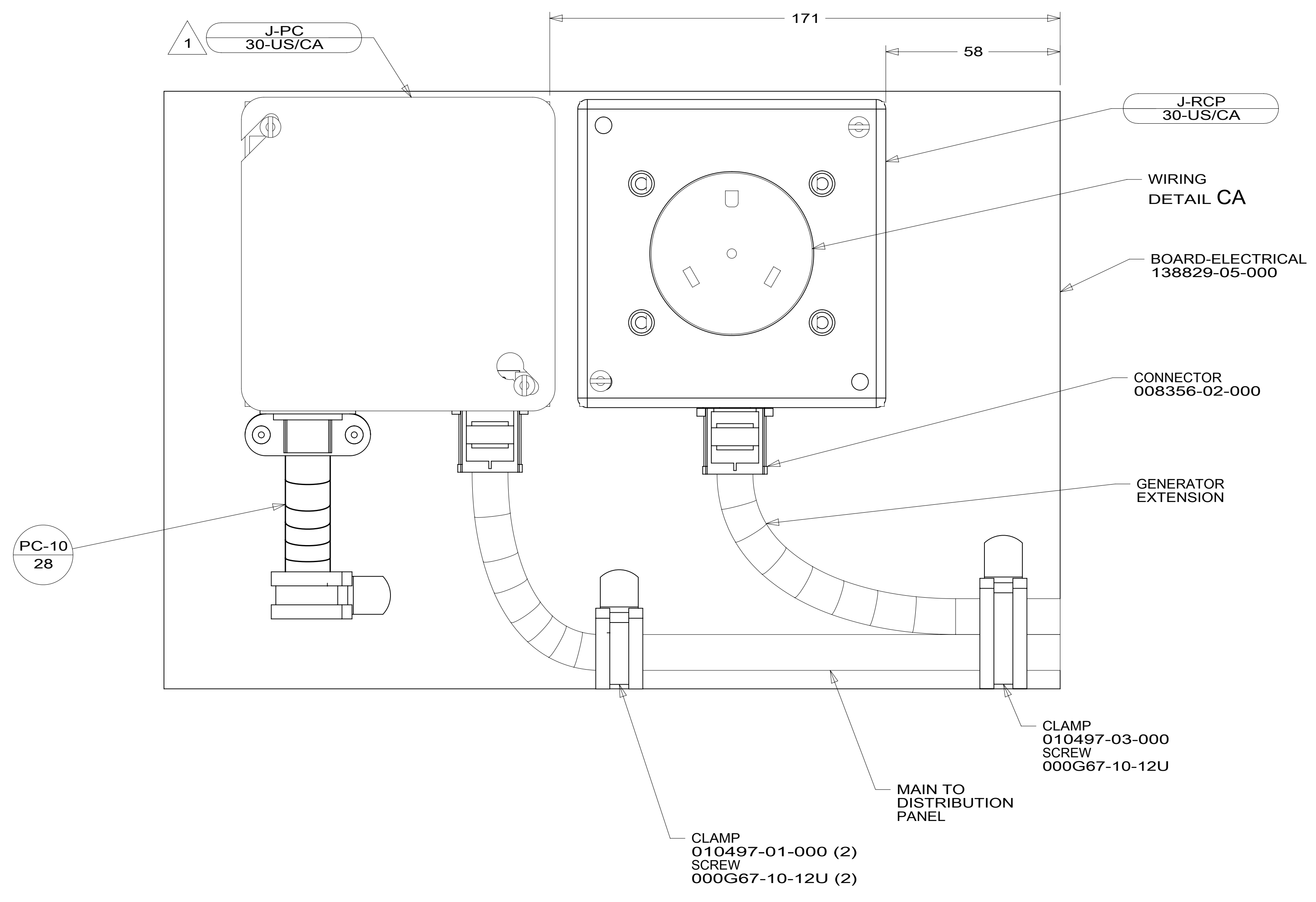
**16 600-SERIES**

DO NOT SCALE DRAWING

TITLE: **LOAD CENTER/ATS ASM**

SHEET 2 PART NO **193163** REV

\*193163\*



DETAIL CA (BACK VIEW)

2. ALL GROUND WIRES TO BE COVERED WITH TUBING 8041-02-000.

1 CONNECT BLK TO BLK, WHT TO WHT, AND GNDS TO GNDS.

NOTES:

FOR ELECTRICAL TORQUE SPECIFICATIONS SEE DWG NO. 128783-01-000

FOR ELECTRICAL CALLOUTS SEE DWG NO. 121339-01-000

265 CODES/STANDARDS-CSA/CMVSS

1B1 CODES/STANDARDS USA

1B1 265

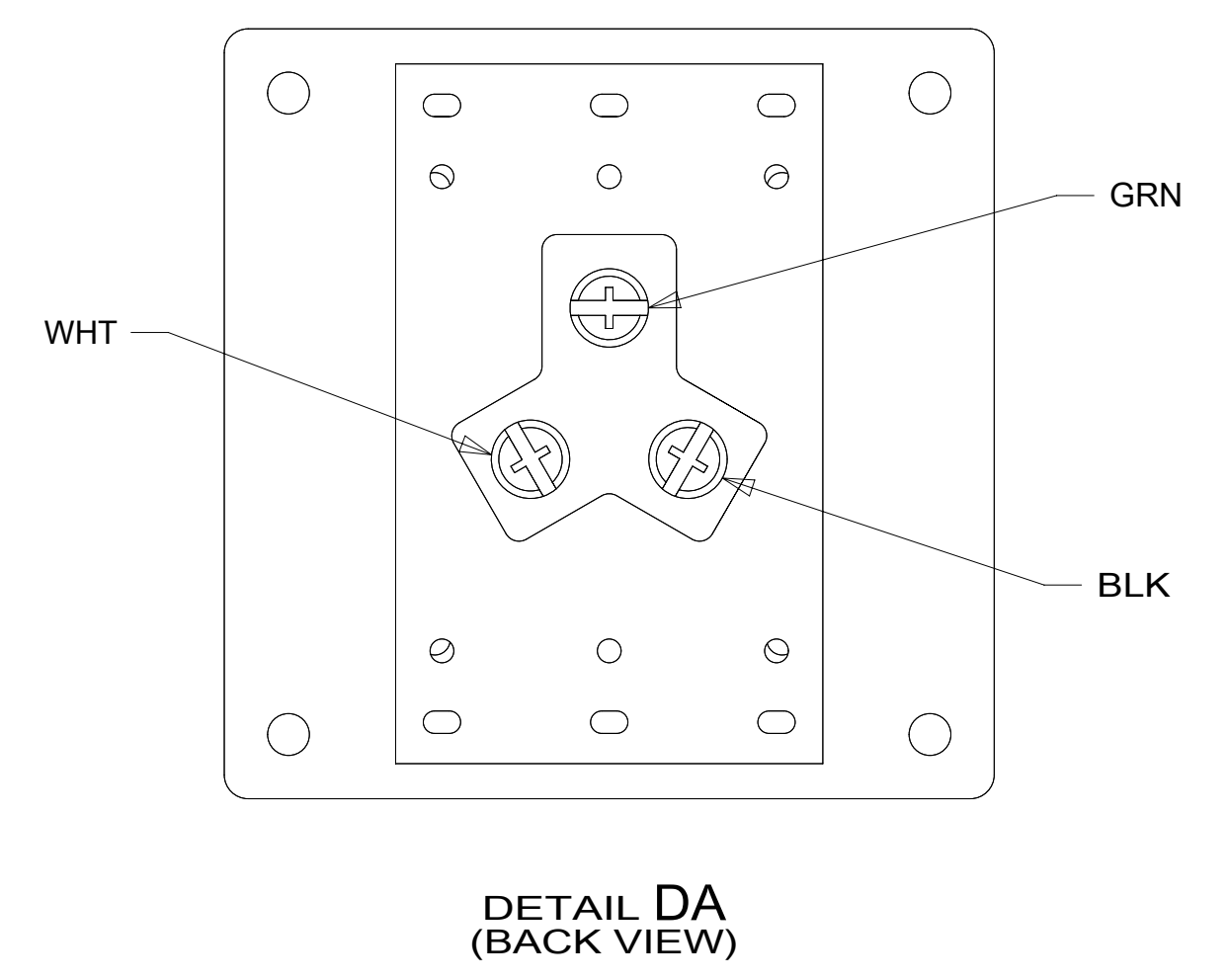
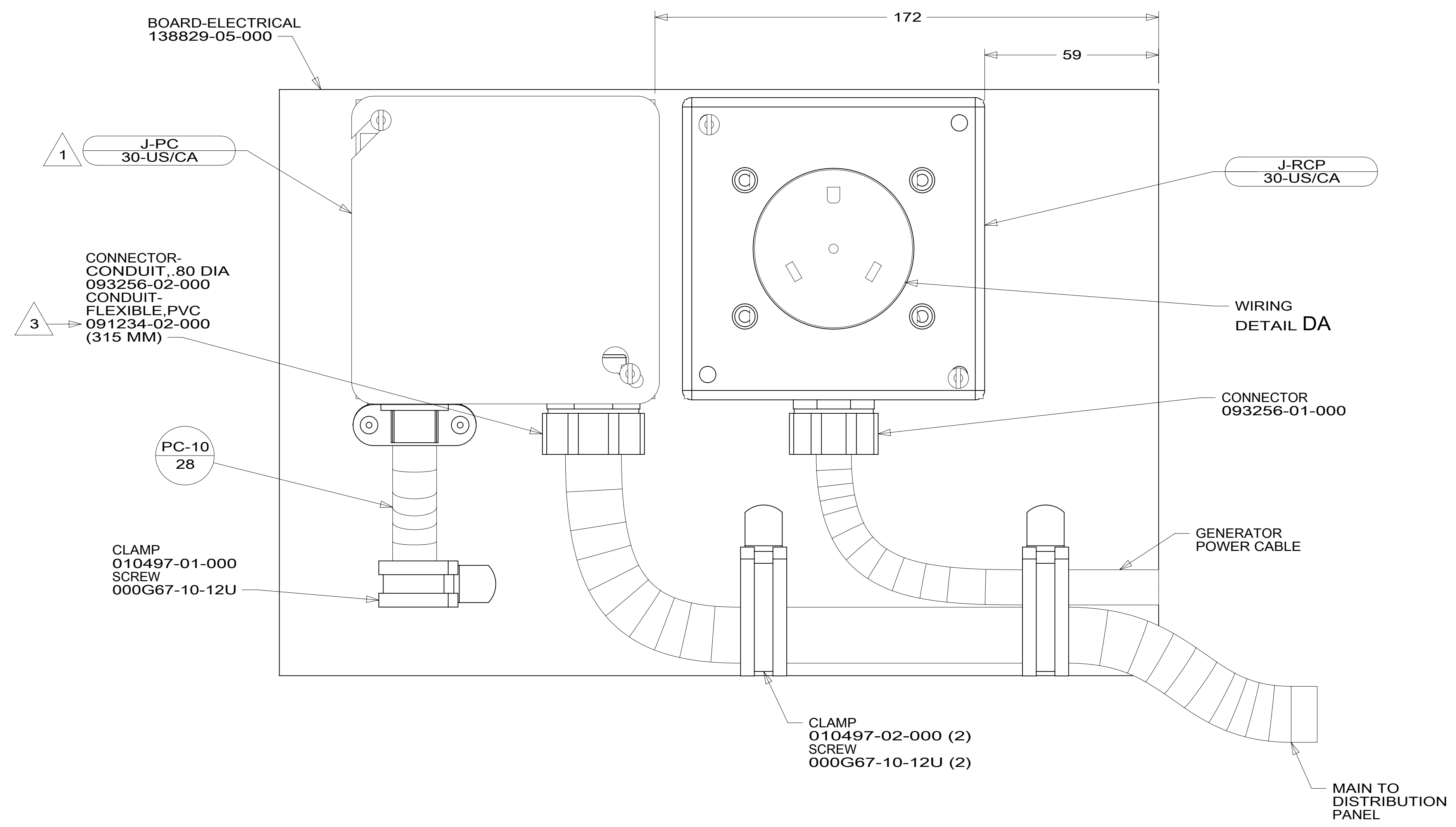
FIRST USED **16 600-SERIES**

DO NOT SCALE DRAWING

TITLE: **LOAD CENTER/ATS ASM**

SHEET 3 PART NO **193163** REV

\*193163\*



- NOTES:
- 3 SECURE CONDUIT TO POWER CORD WITH TAPE 8363-01-000 FOR TRANSPORTATION PURPOSES.
  - 2. ALL GROUNDS TO BE COVERED WITH TUBING 8041-02-000.
  - 1 CONNECT BLK TO BLK, WHT TO WHT, AND GNDS TO GNDS.

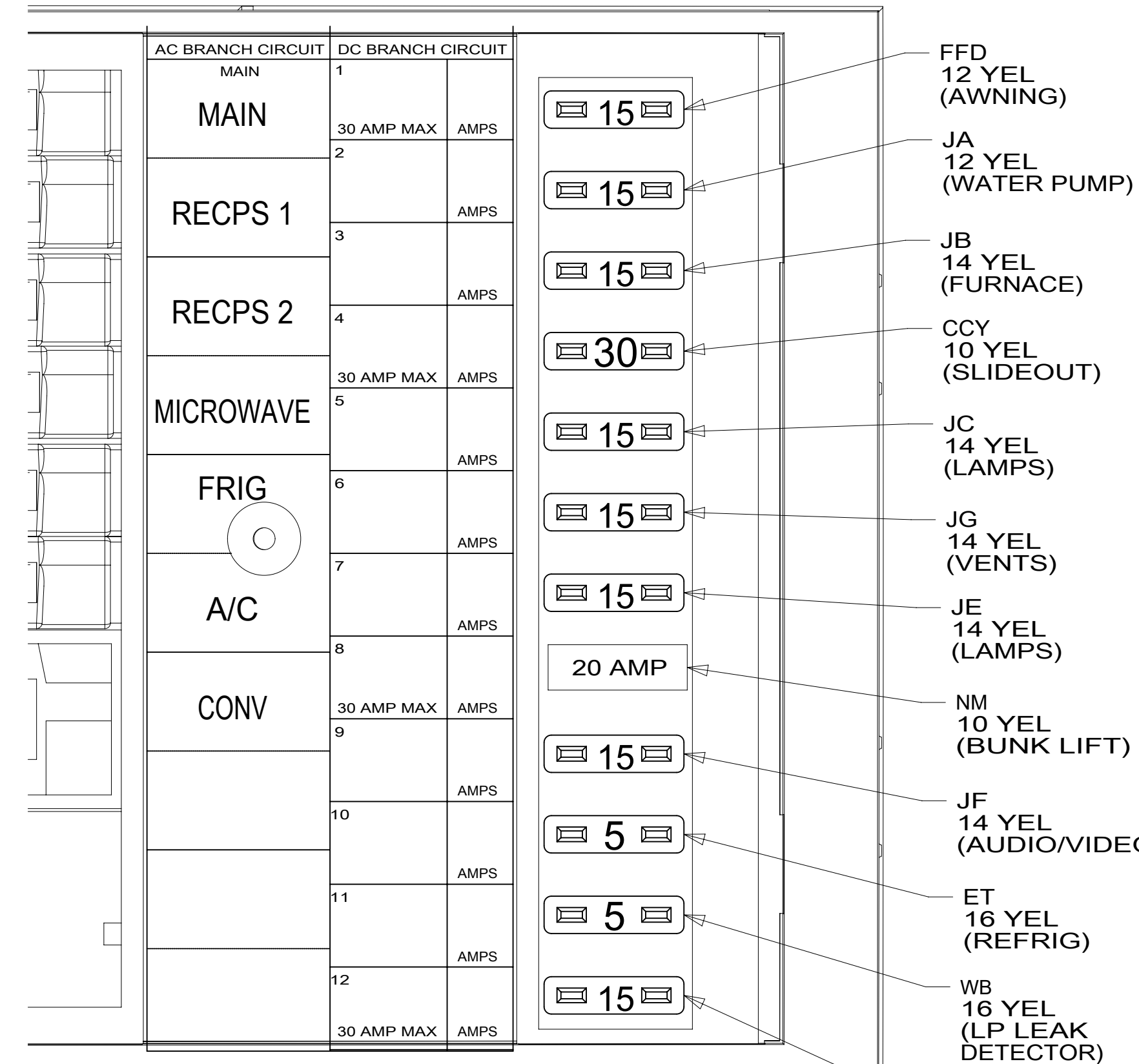
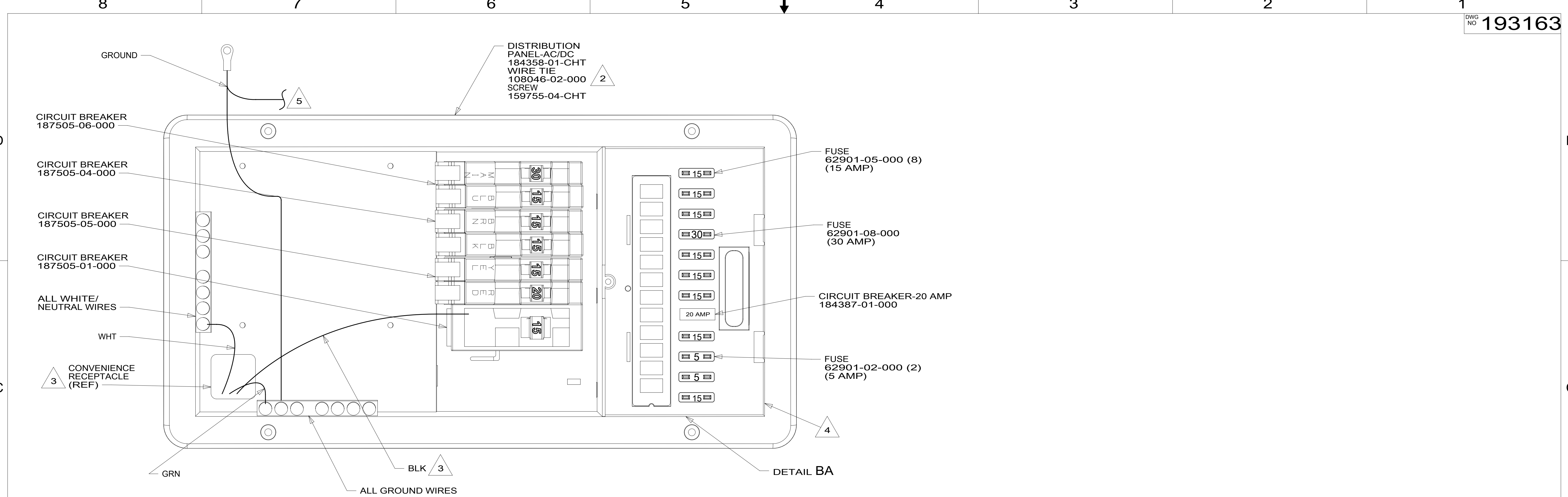
265 CODES/STANDARDS-CSA/CMVSS  
 1B1 CODES/STANDARDS USA

FIRST USED	16 600-SERIES
TITLE:	DO NOT SCALE DRAWING
SHEET 4	PART NO 193163 REV
17-Nov-2015	

FOR ELECTRICAL TORQUE SPECIFICATIONS SEE DWG NO. 128783-01-000

FOR ELECTRICAL CALLOUTS SEE DWG NO. 121339-01-000

\*193163\*



- FFD 12 YEL (AWNING)
- JA 12 YEL (WATER PUMP)
- JB 14 YEL (FURNACE)
- CCY 10 YEL (SLIDEOUT)
- JC 14 YEL (LAMPS)
- JG 14 YEL (VENTS)
- JE 14 YEL (LAMPS)
- NM 10 YEL (BUNK LIFT)
- JF 14 YEL (AUDIO/VIDEO)
- ET 16 YEL (REFRIG)
- WB 16 YEL (LP LEAK DETECTOR)
- FFZ 12 YEL (TANK HTR)

- 5 CONNECT ONE GROUND WIRE TO GROUND BAR INSIDE DISTRIBUTION PANEL. CONNECT ONE GROUND WIRE TO DC GROUND BAR ON BACK SIDE OF DISTRIBUTION PANEL.
- 4 SEE WIRING INSTL-BODY, 12V FOR ADDITIONAL INFORMATION.
- 3 CONNECT BLACK WIRE FROM CONVENIENCE RECEPTACLE TO DEDICATED CIRCUIT BREAKER.
- 2 ATTACH TO UNUSED SCREW HOLE ON BACK SIDE OF PANEL TO SECURE WIRES. USE TO SECURE WIRES TO BACKSIDE OF LOAD CENTER.
1. ALL GROUND WIRES TO BE COVERED WITH TUBING 8041-02-000.

FOR ELECTRICAL TORQUE SPECIFICATIONS SEE DWG NO. 128783-01-000

FOR ELECTRICAL CALLOUTS SEE DWG NO. 121339-01-000

265 CODES/STANDARDS-CSA/CMVSS  
 1B1 CODES/STANDARDS USA  
 1B1 265

FIRST USED  
**16 600-SERIES**  
 DO NOT SCALE DRAWING

TITLE:  
**LOAD CENTER/ATS ASM**

SHEET 5 PART NO **193163** REV

\*193163\*