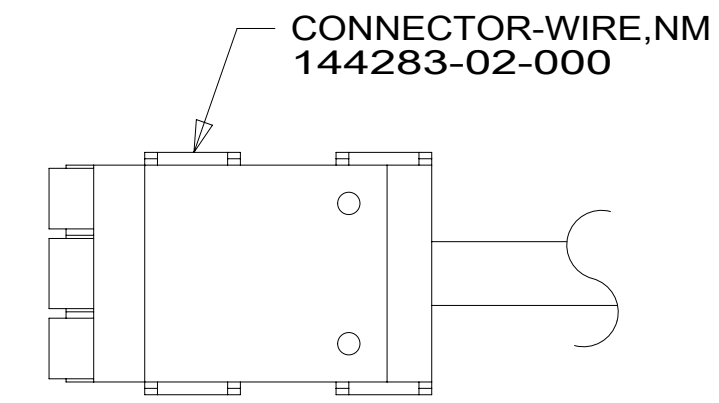


DRAWING NO.	MODEL	SHEET
192234-01	322R	1,2,3,4,5
192234-02	331K	1,2,3,6,7
192234-03	325B	1,2,3,8,9
192234-04	327Q	1,2,3,10,11
192234-05	331G	1,2,3,12,13

		322R	331K	325B	327Q	331G
RED	1B1	136135-07-051	136135-07-054	136135-07-041	136135-07-058	136135-07-035
	265	136136-07-051	136136-07-054	136136-07-041	136136-07-058	136136-07-035
YEL	1B1	136131-05-027	136131-05-042	136131-05-023	136131-05-040	136131-05-027
	265	136134-05-027	136134-05-042	136134-05-023	136134-05-040	136134-05-027
BLK	1B1	136135-06-053	136135-06-064 093	136135-06-041	136135-06-064 093	136135-06-010
	265	136136-06-053	136136-06-064 093	136136-06-041	136136-06-064 093	136136-06-010
BLK	1B1		136135-06-035 09A		136135-06-020 09A	
	265		136136-06-035 09A		136136-06-020 09A	
BLK-2	1B1		136135-22-034 09A		136135-22-050 09A	136135-22-044
	265		136136-22-034 09A		136136-22-050 09A	136136-22-044
BRN	1B1	136131-03-057	136131-03-123	136131-03-050	136131-03-072	136131-03-061
	265	136134-03-057	136134-03-123	136134-03-050	136134-03-072	136134-03-061
BLU	1B1	136131-02-052	136131-02-130	136131-02-055	136131-02-080	136131-02-016 4
	265	136134-02-052	136134-02-130	136134-02-055	136134-02-080	136134-02-016 4
WHT	1B1		136135-09-049 09A		136135-09-060 09A	
	265		136136-09-049 09A		136136-09-060 09A	



DETAIL AA

- 640 RENTAL - GAH WITHOUT
- 093 PREMIUM PACKAGE WITHOUT
- 09A PREMIUM PACKAGE
- 644 GREAT ALASKAN RENTAL PACKAGE
- 265 CODES/STANDARDS-CSA/CMVSS
- 1B1 CODES/STANDARDS USA

1B1 265

WINNEBAGO COPYRIGHT 2014 WINNEBAGO INDUSTRIES, INC.

DFTR	ORIG. DATE
CHKR	ALL DIMENSIONS ARE IN MILLIMETERS
P.E.	
M.E.	FIRST USED
DSNR	16 300-SERIES

UNSPECIFIED TOLERANCES ARE:
 WHOLE DIM (X) : 3
 ONE-PLACE (X.X) : 1.5
 TWO-PLACE (X.XX) : 0.50
 ANGLE : 1°

THIRD ANGLE PROJECTION

DO NOT SCALE DRAWING REFER TO ES0018 FOR FASTENER TIGHTENING GUIDELINES

TITLE: **LOAD CENTER/ATS ASM**

SHEET 1 OF 13 PART NO 192234 REV

REF: 1 26-Oct-2015

- 4 SEE DETAIL AA FOR CONNECTOR INSTALLATION.
3. SEE WIRING INSTL-BODY, 12V FOR ADDITIONAL INFORMATION.
2. SECURE WIRES TO BACKSIDE OF LOAD CENTER WITH WIRE TIE 116673-01-000.
1. ALL GROUND WIRES TO BE COVERED WITH TUBING 8041-02-000.

FOR ELECTRICAL TORQUE SPECIFICATIONS SEE DWG NO. 128783-01-000

FOR ELECTRICAL CALLOUTS SEE DWG NO. 121339-01-000

*192234 *A

		322R	331K	325B	327Q	331G
THROW IN WIRE #1	1B1	136131-02-078	136131-02-057	136131-02-035	136131-02-053	136131-02-016
	265	136134-02-078	136134-02-057	136134-02-035	136134-02-053	136134-02-016
THROW IN WIRE #2	1B1	136131-03-027	136131-03-062	136131-02-035	136131-03-095	136131-02-064
	265	136134-03-027	136134-03-062	136134-02-035	136134-03-095	136134-02-064
THROW IN WIRE #3	1B1	136131-03-035 640	136131-03-015	136131-02-042		136131-03-011 9PC
	265	136134-03-035 640	136134-03-015	136134-02-042		136134-03-011 9PC
THROW IN WIRE #4	1B1	136131-03-015 644	136131-03-003 4	136131-03-040	136131-03-003 4	136131-03-087
	265	136134-03-015 644	136134-03-003 4	136134-03-040	136134-03-003 4	136134-03-087
THROW IN WIRE #5	1B1		136131-03-004 4	136131-03-037	136131-03-006 4	136131-02-081
	265		136134-03-004 4	136134-03-037	136134-03-006 4	136134-02-081
THROW IN WIRE #6	1B1					
	265					
THROW IN WIRE #7	1B1					136131-02-095 4
	265					136134-02-095 4
MAIN EXTENSION CABLE ASM		164957-15-044	164957-13-050	164957-13-036	164957-15-031	164957-15-045
	1B1	164957-16-044	164957-14-050	164957-14-036	164957-16-031	164957-16-045
GENERATOR CABLE ASM	265				164957-13-067	164957-13-032
	1B1				164957-14-067	164957-14-032
GROUND MAIN	265	136145-06-016	136145-02-018	136145-06-018	136145-06-017	136145-06-020

- 640 RENTAL - GAH WITHOUT
- 9PC TAILGATE PACKAGE
- 644 GREAT ALASKAN RENTAL PACKAGE
- 265 CODES/STANDARDS-CSA/CMVSS
- 1B1 CODES/STANDARDS USA

1B1 265

FIRST USED

16 300-SERIES

DO NOT SCALE DRAWING

TITLE: **LOAD CENTER/ATS ASM**

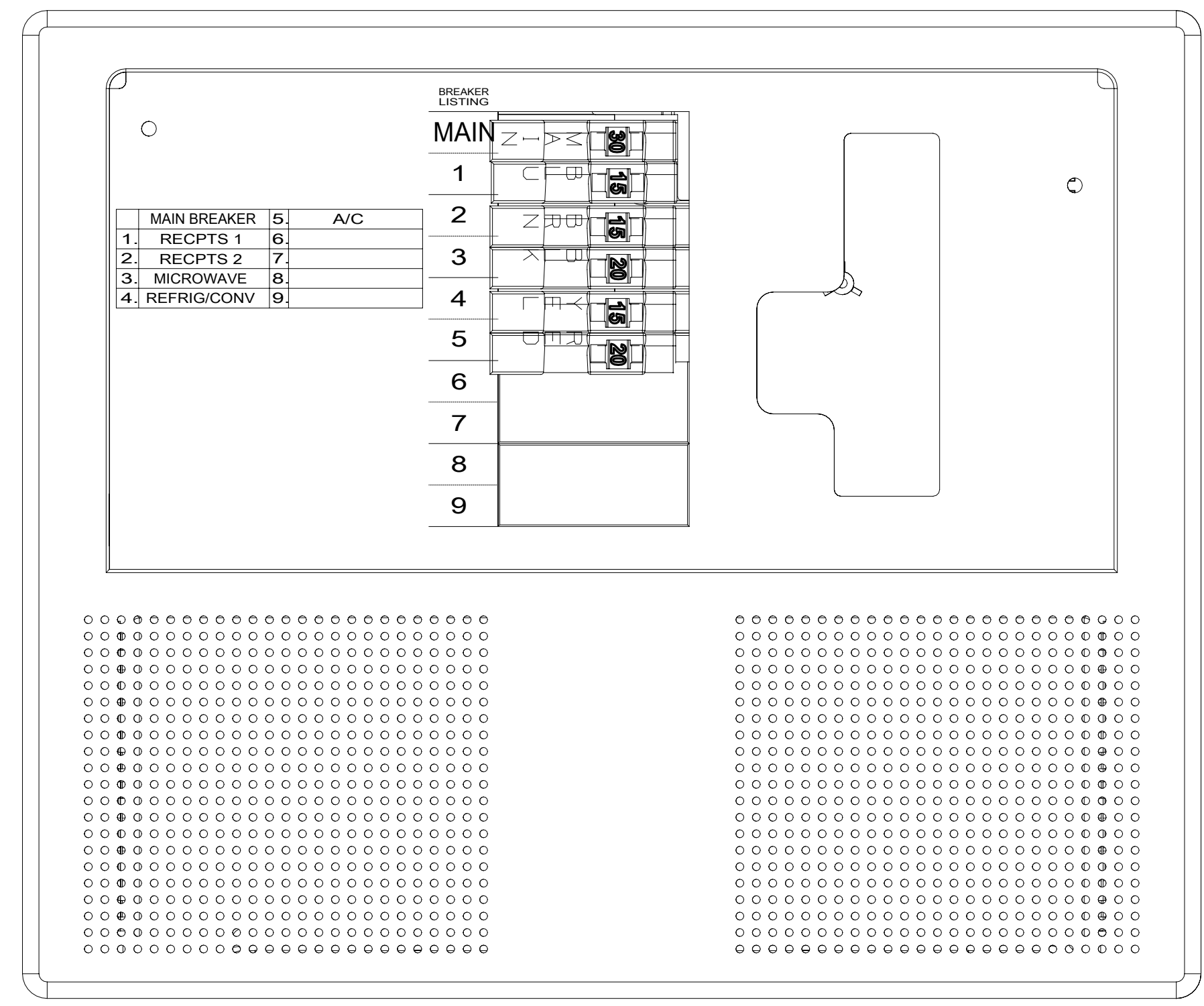
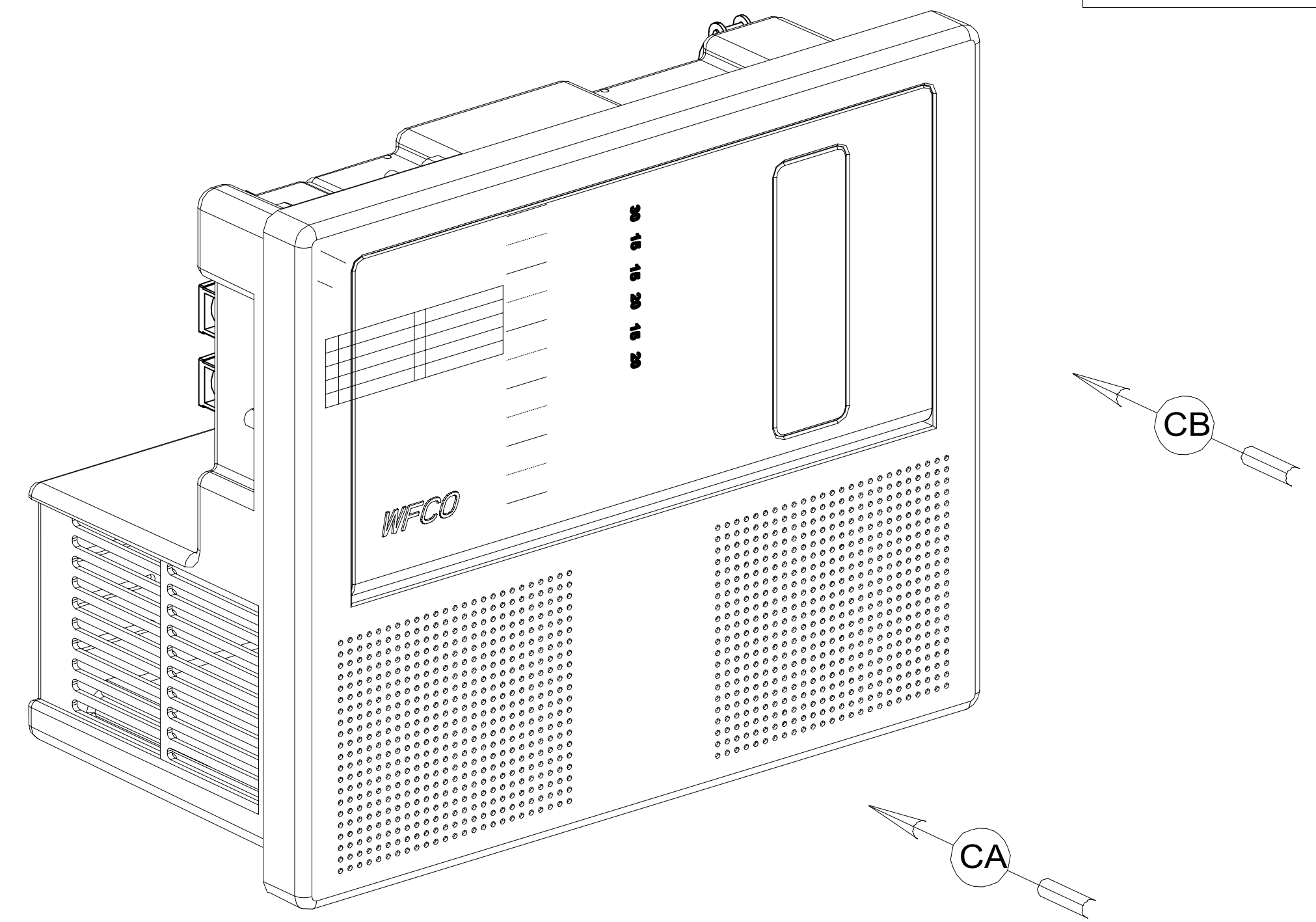
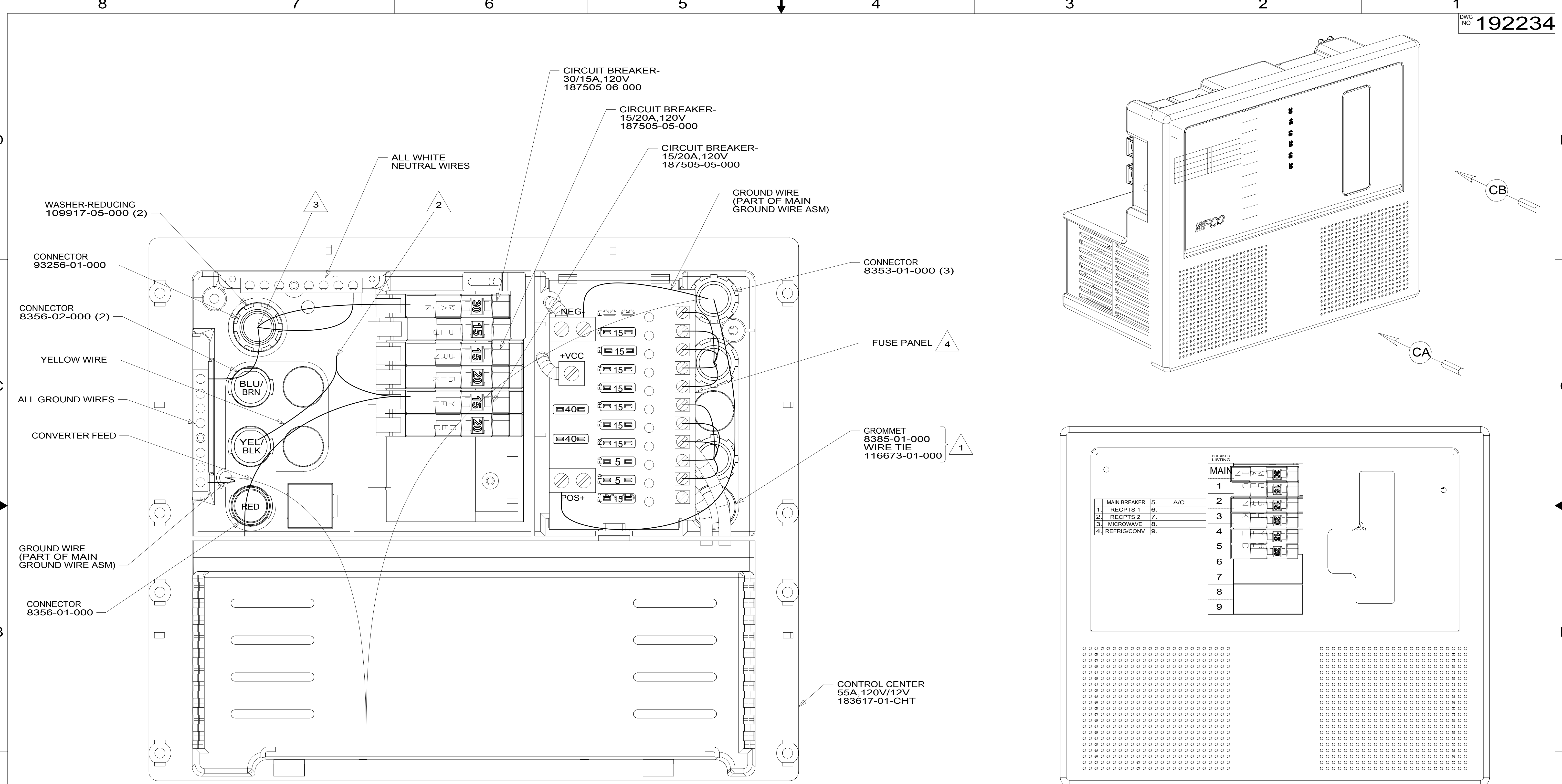
SHEET 2 PART NO **192234** REV

- 4 SEE DETAIL AA FOR CONNECTOR INSTALLATION.
3. SEE WIRING INSTL-BODY, 12V FOR ADDITIONAL INFORMATION.
2. SECURE WIRES TO BACKSIDE OF LOAD CENTER WITH WIRE TIE 116673-01-000.
1. ALL GROUND WIRES TO BE COVERED WITH TUBING 8041-02-000.

FOR ELECTRICAL TORQUE SPECIFICATIONS SEE DWG NO. 128783-01-000

FOR ELECTRICAL CALLOUTS SEE DWG NO. 121339-01-000

*192234 *A



VIEW CA
(COVER REMOVED)

VIEW CB
(DOOR REMOVED)

- NOTES:
- 4 SEE TAB BLOCK FOR MODEL SPECIFIC SHEETS.
 - 3 110V MAIN TO BE INSTALLED ON LINE.
 - 2 CONNECT CONVERTER POWER CIRCUIT INTO YELLOW BREAKER USE SUPPLIED WIRE NUT TO CONNECT TO YELLOW CIRCUIT WIRE.
 - 1 INSERT GROMMET FROM THE INSIDE OF CONTROL CENTER. SECURE 110V WIRES TO BACKSIDE OF CONTROL CENTER WITH WIRE TIE.

FOR ELECTRICAL TORQUE SPECIFICATIONS SEE DWG NO. 128783-01-000

FOR ELECTRICAL CALLOUTS SEE DWG NO. 121339-01-000

265 CODES/STANDARDS-CSA/CMVSS
1B1 CODES/STANDARDS USA
1B1 265

FIRST USED
16 300-SERIES
DO NOT SCALE DRAWING
TITLE: **LOAD CENTER/ATS ASM**
SHEET 3 PART NO **192234** REV

192234

8 7 6 5 4 3 2 1

D
C
B
A

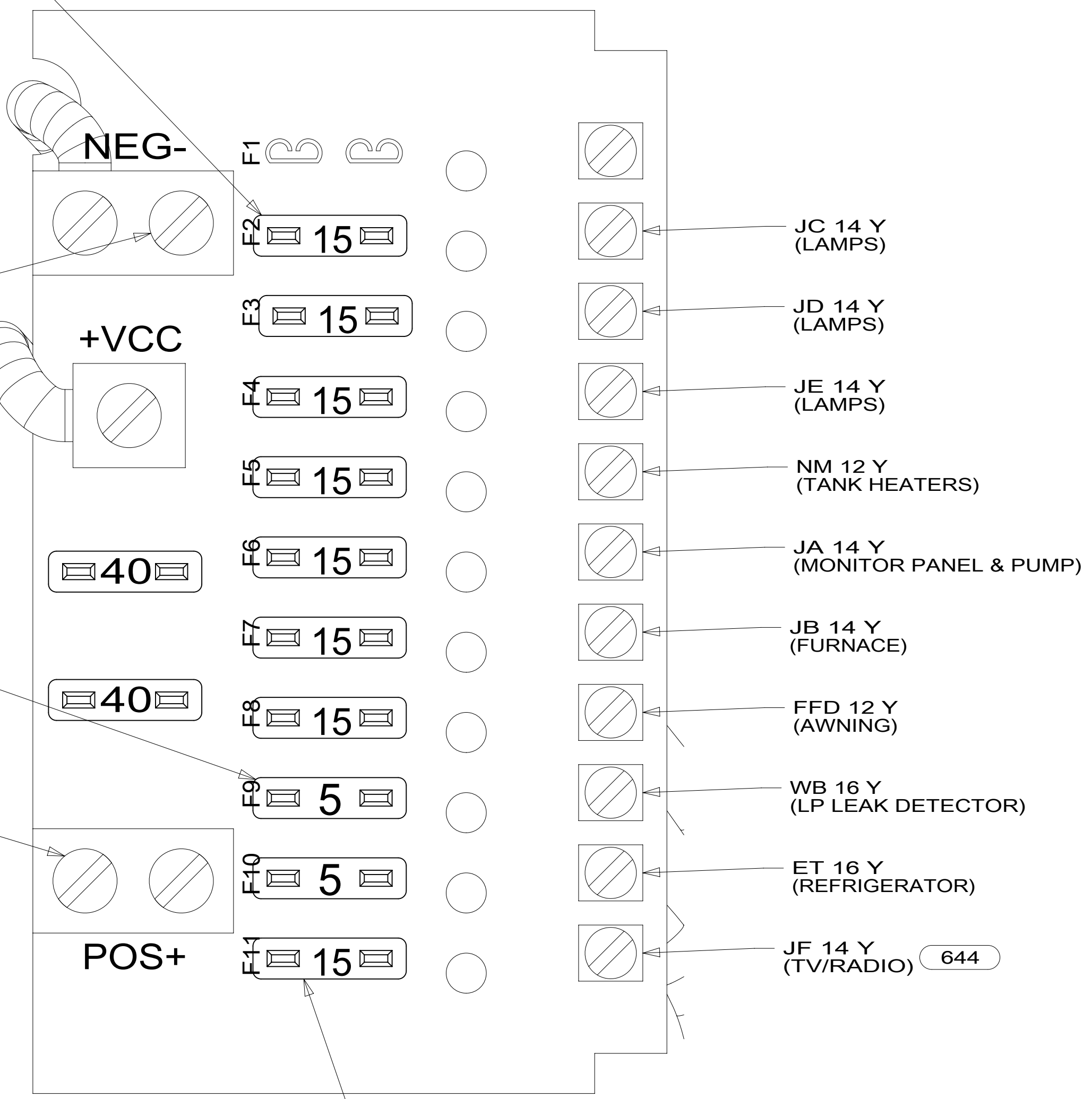
FUSE-15 AMP
62901-05-000 (7)

8 GRN
(GROUND)

FUSE-5 AMP
62901-02-000 (2)

J 6 BLK
(BATTERY
COMPT)

FUSE-15 AMP
62901-05-000 (644)



- (644) GREAT ALASKAN RENTAL PACKAGE
- (265) CODES/STANDARDS-CSA/CMVSS
- (1B1) CODES/STANDARDS USA

(1B1) (265)

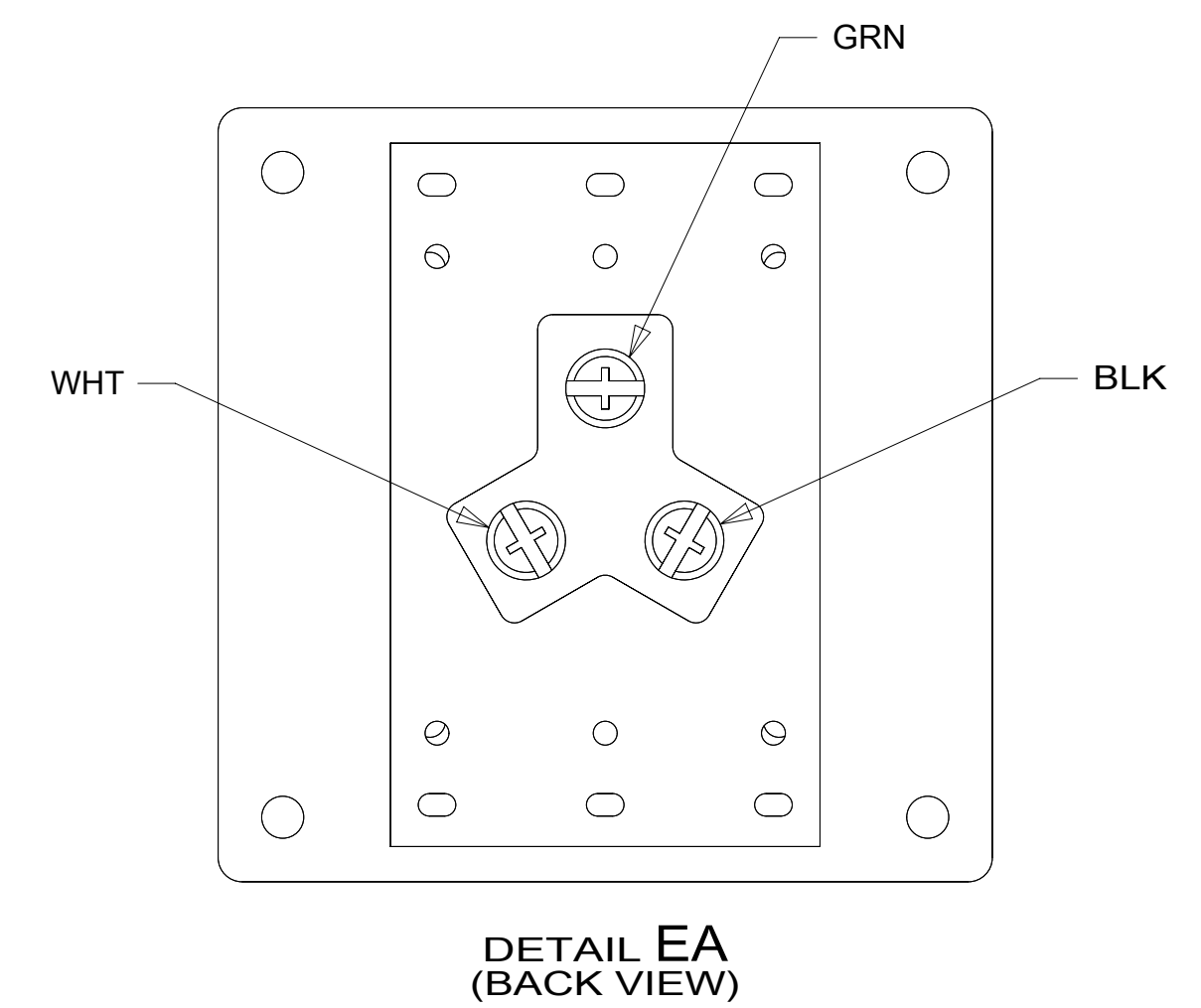
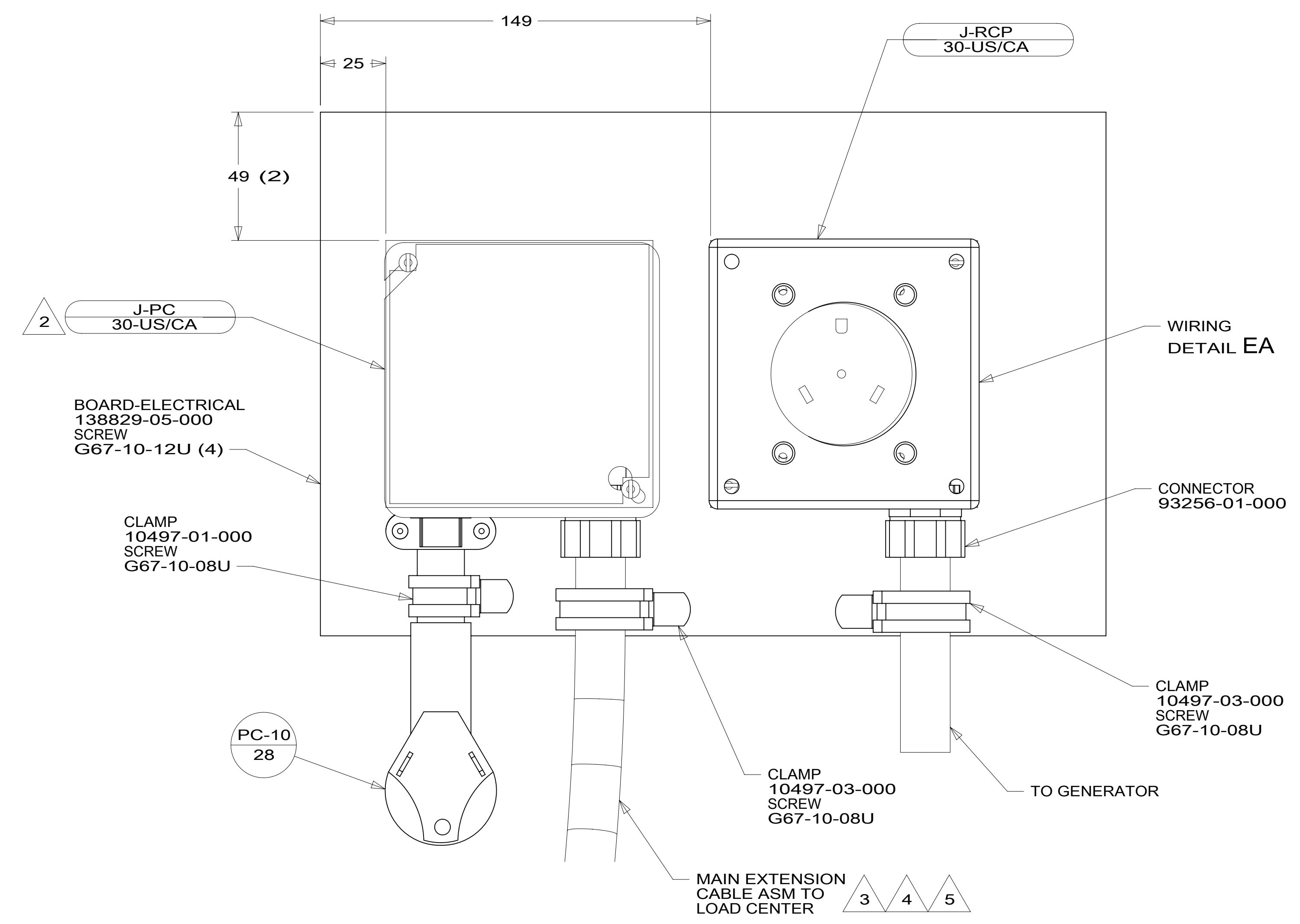
FIRST USED	16 300-SERIES	
TITLE:	DO NOT SCALE DRAWING	
SHEET 4	PART NO	REV
	192234	

FOR ELECTRICAL
TORQUE
SPECIFICATIONS
SEE DWG NO.
128783-01-000

(X-X)
FOR
ELECTRICAL
CALLOUTS
SEE DWG NO.
121339-01-000

8 7 6 5 4 3 2 1

*192234 *A



- NOTES:
- 5 MAIN EXTENSION CABLE ASM TO BE INSTALLED ON LINE.
 - 4 SEE SHEET 1 FOR ADDITIONAL INFORMATION.
 - 3 SEE WIRING INSTL-BODY, 110V FOR ADDITIONAL INFORMATION.
 - 2 CONNECT BLK TO BLK, WHT TO WHT, AND GRNDS TO GRNDS.
1. ALL GROUND WIRES TO BE COVERED WITH TUBING 8041-02-000.

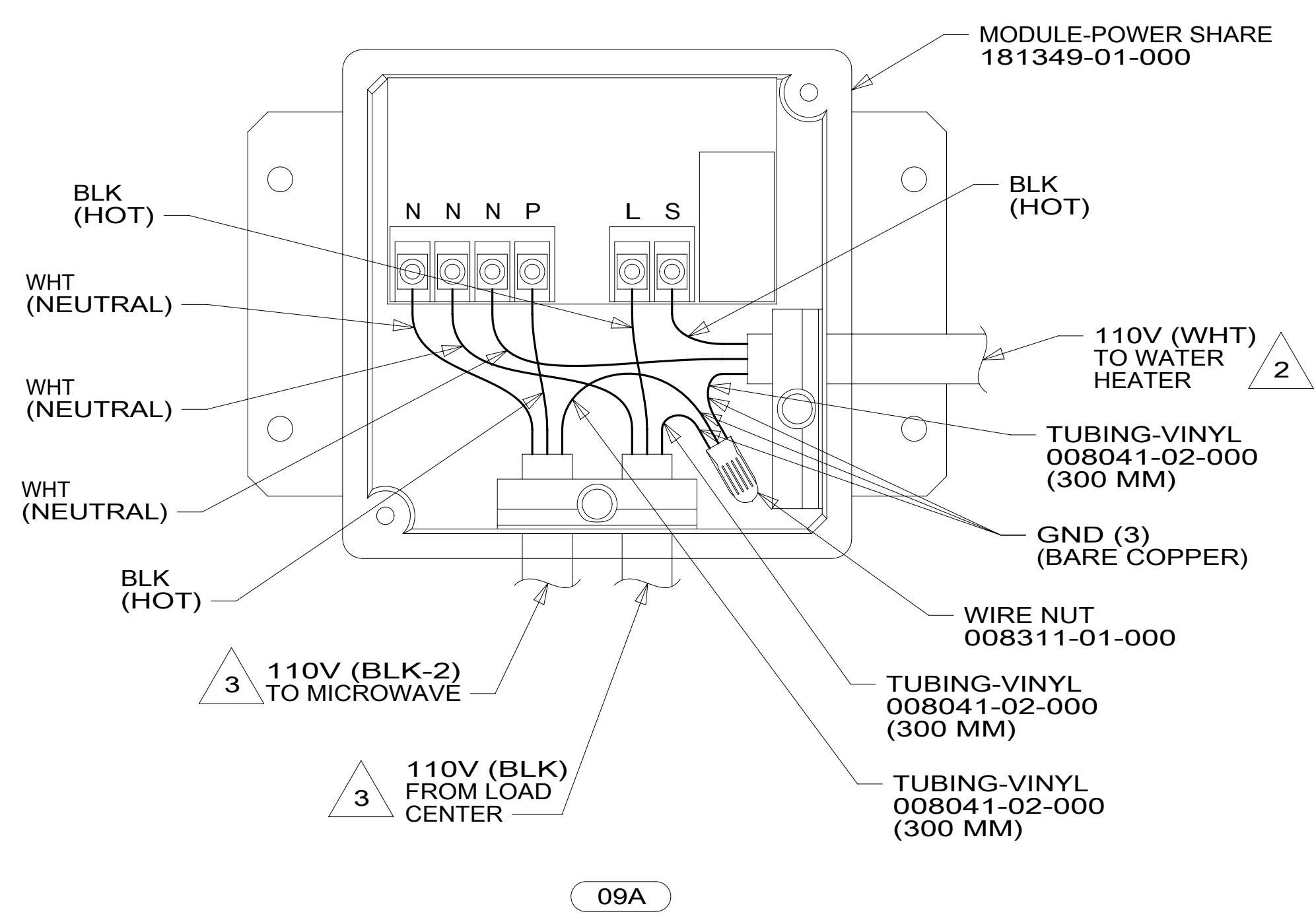
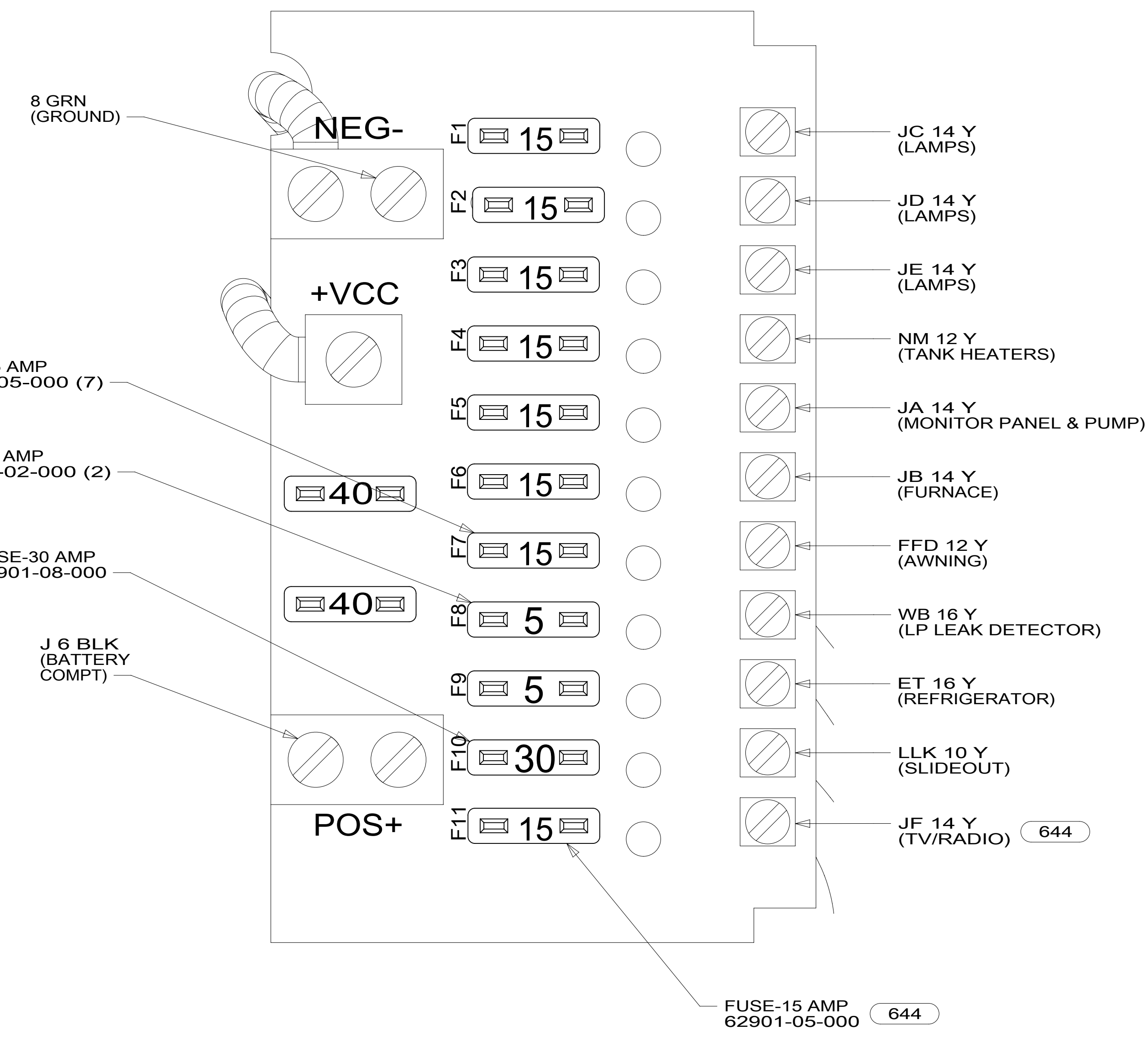
265 CODES/STANDARDS-CSA/CMVSS
 1B1 CODES/STANDARDS USA
 1B1 265

FIRST USED	
16 300-SERIES	
DO NOT SCALE DRAWING	
TITLE: LOAD CENTER/ATS ASM	
SHEET 5	PART NO 192234 REV

FOR ELECTRICAL TORQUE SPECIFICATIONS SEE DWG NO. 128783-01-000

FOR ELECTRICAL CALLOUTS SEE DWG NO. 121339-01-000

*192234 *A



- 3 CONNECT BLK AND BLK-2 WIRES TO POWER SHARE MODULE AS SHOWN.
- 2 CONNECT WHT WIRE TO POWER SHARE MODULE AS SHOWN.
1. ALL GROUND WIRES TO BE COVERED WITH TUBING 8041-02-000.
- NOTES:

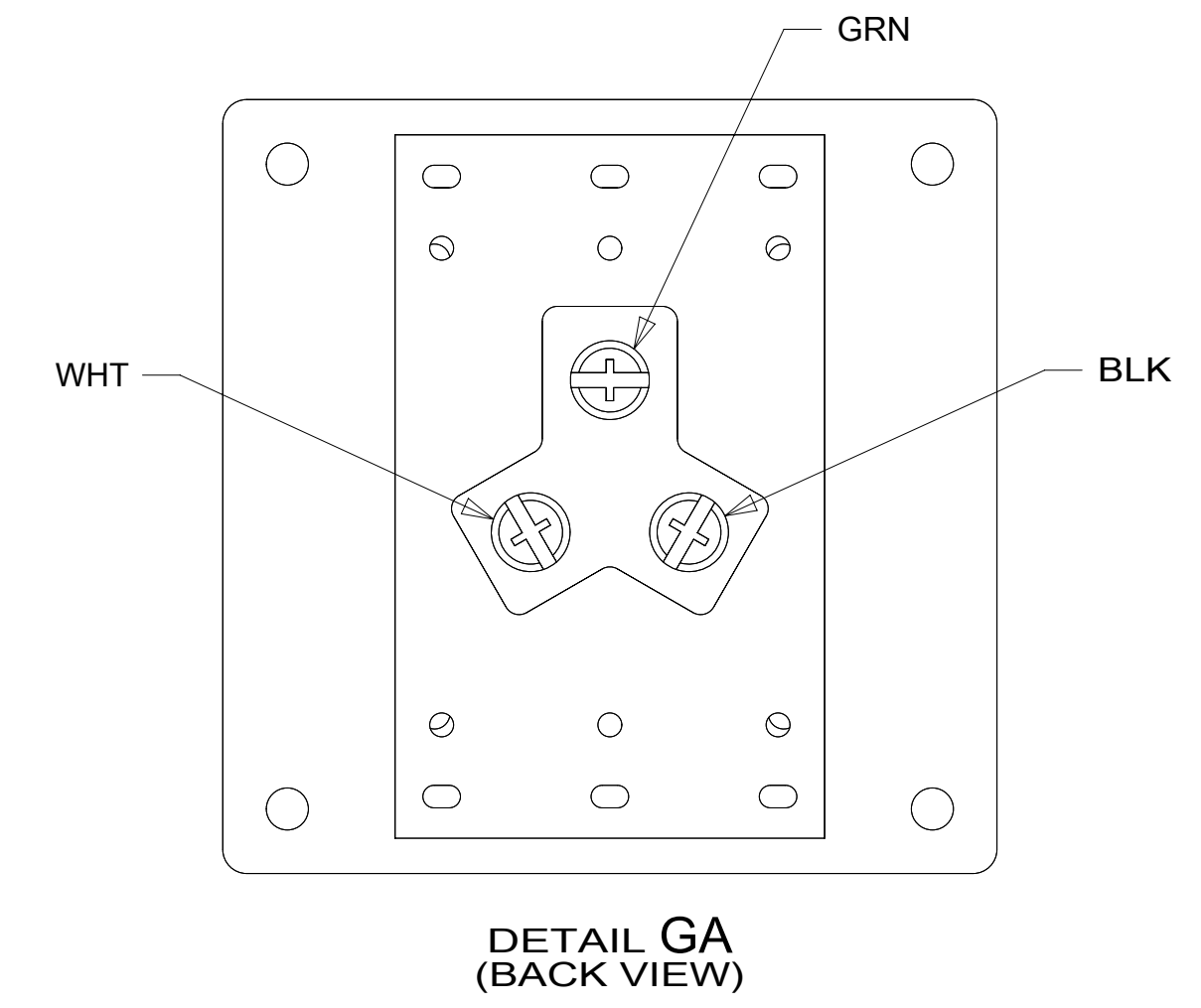
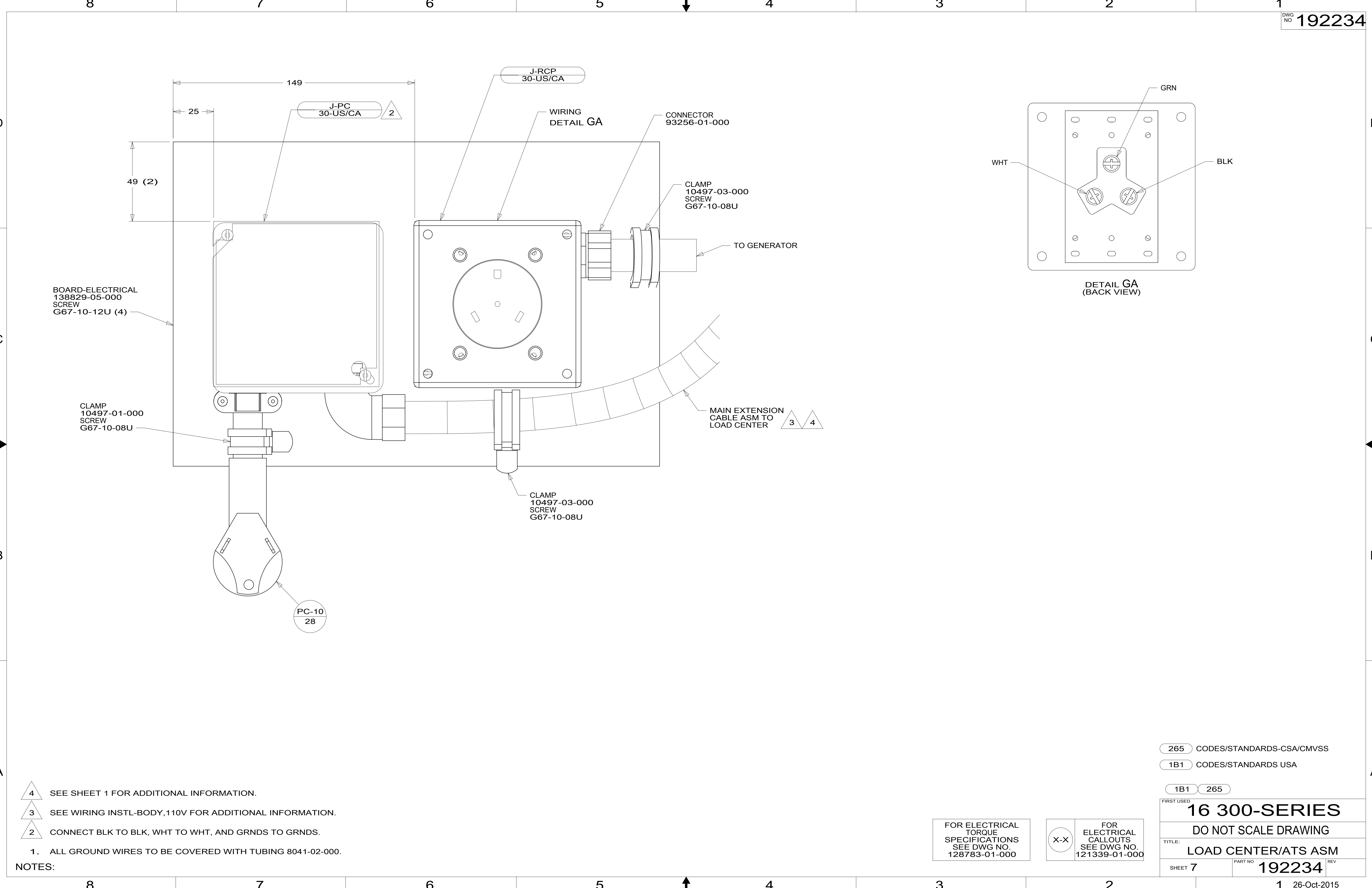
FOR ELECTRICAL TORQUE SPECIFICATIONS SEE DWG NO. 128783-01-000

FOR ELECTRICAL CALLOUTS SEE DWG NO. 121339-01-000

- 09A PREMIUM PACKAGE
- 644 GREAT ALASKAN RENTAL PACKAGE
- 265 CODES/STANDARDS-CSA/CMVSS
- 1B1 CODES/STANDARDS USA

FIRST USED	
16 300-SERIES	
DO NOT SCALE DRAWING	
TITLE: LOAD CENTER/ATS ASM	
SHEET 6	PART NO 192234 REV

*192234 *A



BOARD-ELECTRICAL
138829-05-000
SCREW
G67-10-12U (4)

CLAMP
10497-01-000
SCREW
G67-10-08U

J-RCP
30-US/CA

J-PC
30-US/CA

WIRING
DETAIL GA

CONNECTOR
93256-01-000

CLAMP
10497-03-000
SCREW
G67-10-08U

TO GENERATOR

MAIN EXTENSION
CABLE ASM TO
LOAD CENTER

CLAMP
10497-03-000
SCREW
G67-10-08U

PC-10
28

- NOTES:
- 4 SEE SHEET 1 FOR ADDITIONAL INFORMATION.
 - 3 SEE WIRING INSTL-BODY, 110V FOR ADDITIONAL INFORMATION.
 - 2 CONNECT BLK TO BLK, WHT TO WHT, AND GRNDS TO GRNDS.
1. ALL GROUND WIRES TO BE COVERED WITH TUBING 8041-02-000.

265 CODES/STANDARDS-CSA/CMVSS

1B1 CODES/STANDARDS USA

1B1 265

FIRST USED
16 300-SERIES

DO NOT SCALE DRAWING

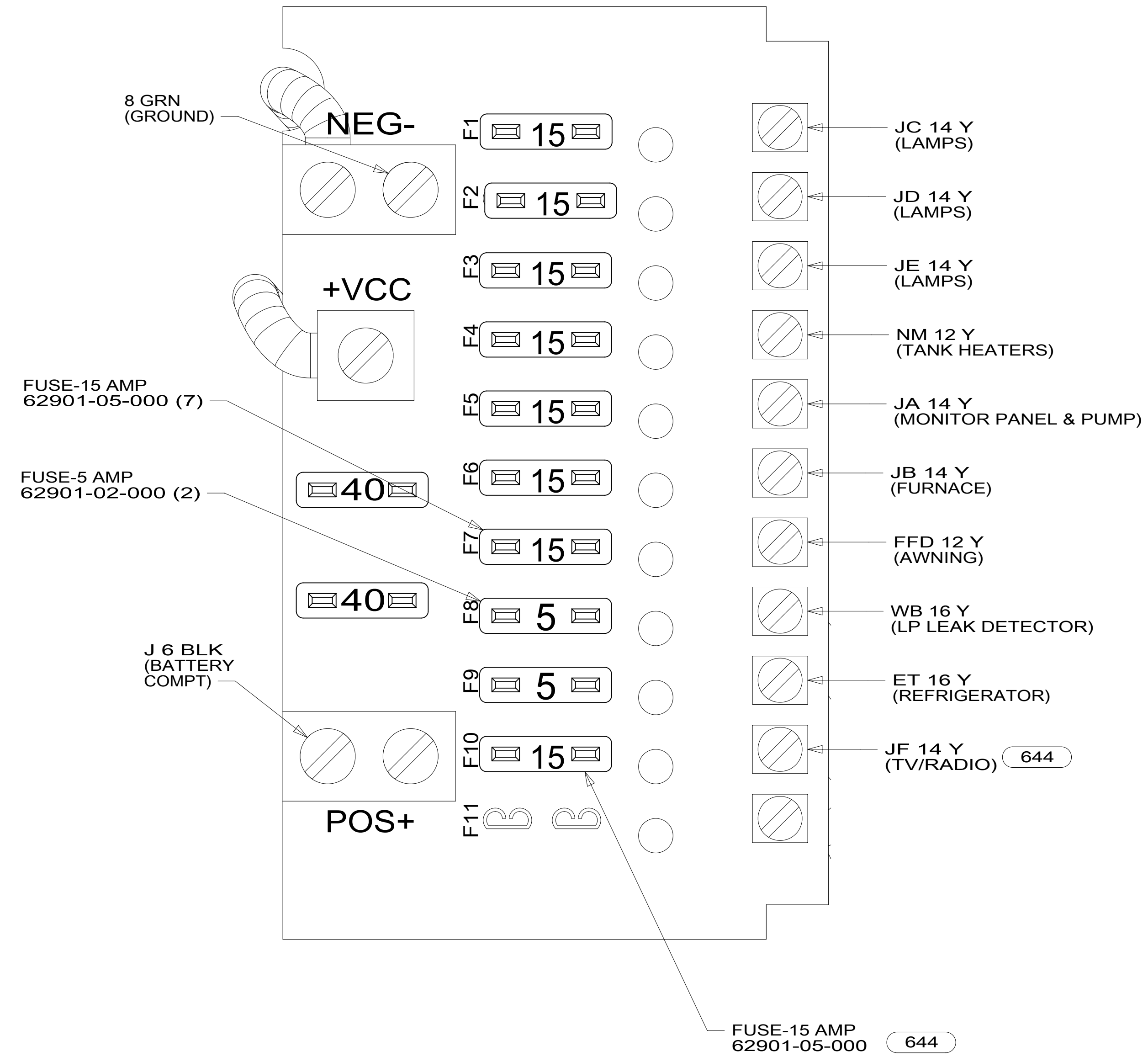
TITLE:
LOAD CENTER/ATS ASM

SHEET 7 PART NO **192234** REV

FOR ELECTRICAL
TORQUE
SPECIFICATIONS
SEE DWG NO.
128783-01-000

FOR ELECTRICAL
CALLOUTS
SEE DWG NO.
121339-01-000

*192234 *A



- 644 GREAT ALASKAN RENTAL PACKAGE
- 265 CODES/STANDARDS-CSA/CMVSS
- 1B1 CODES/STANDARDS USA

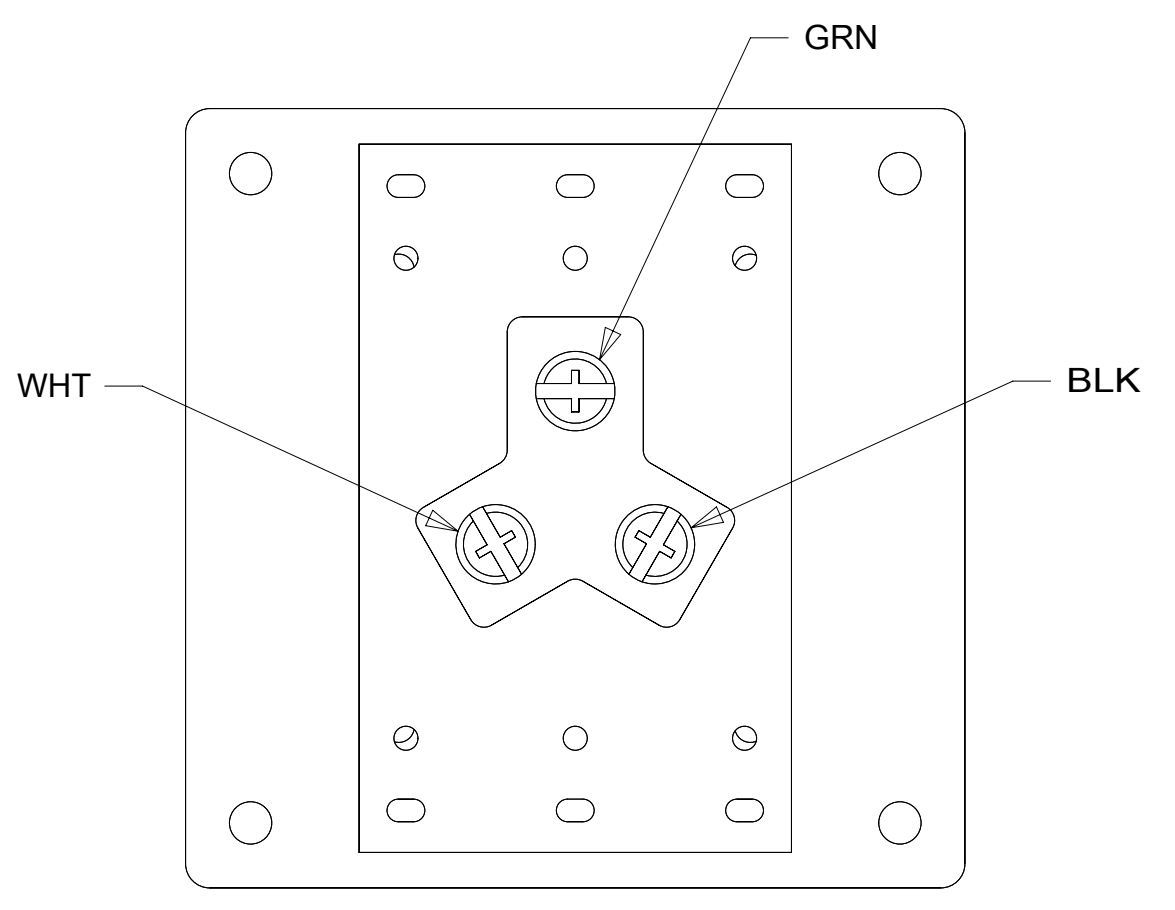
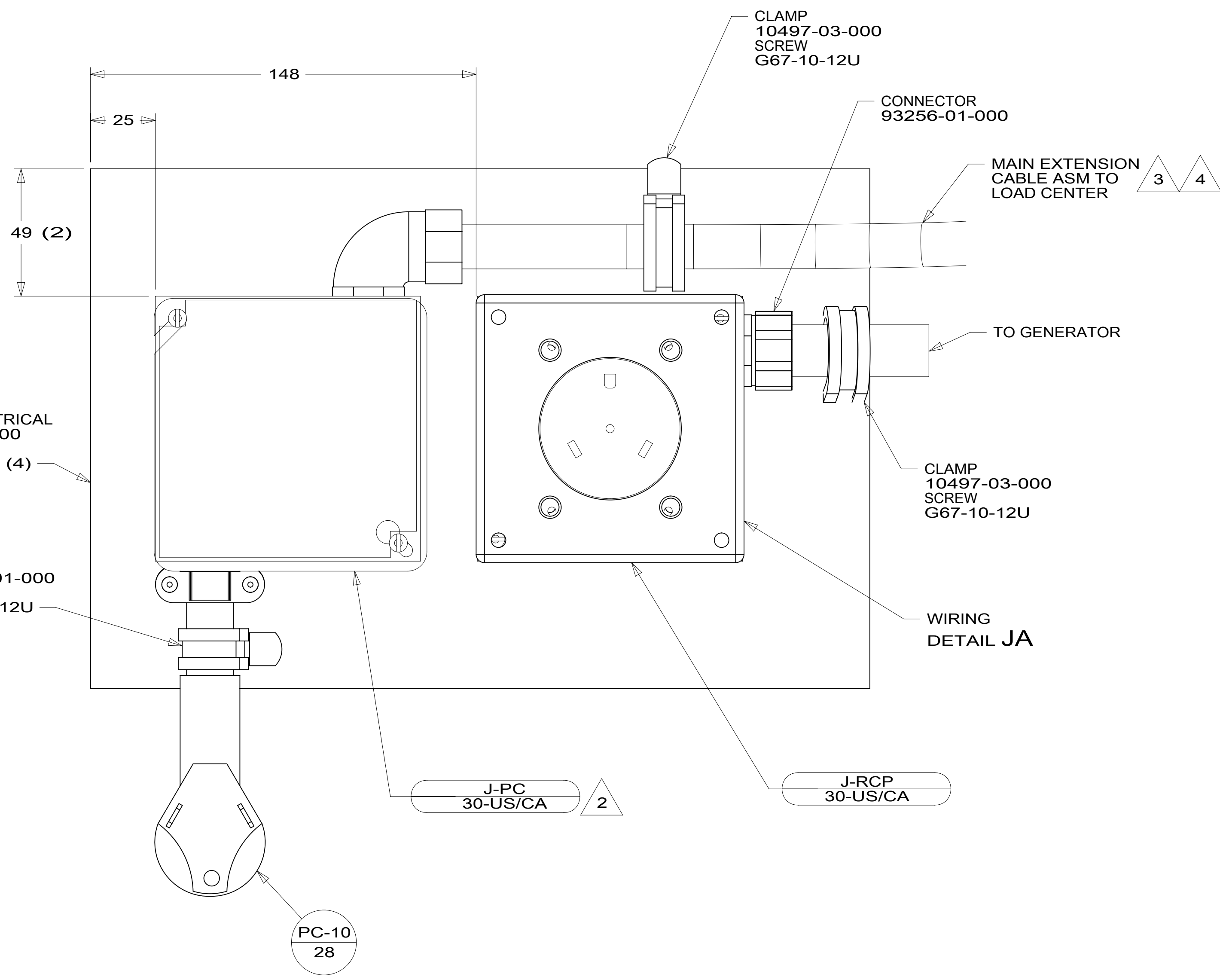
1B1 265

FIRST USED	16 300-SERIES	
TITLE:	DO NOT SCALE DRAWING	
SHEET 8	PART NO	192234
	REV	1

FOR ELECTRICAL TORQUE SPECIFICATIONS SEE DWG NO. 128783-01-000

FOR ELECTRICAL CALLOUTS SEE DWG NO. 121339-01-000

*192234 *A



DETAIL JA (BACK VIEW)

- 4 SEE SHEET 1 FOR ADDITIONAL INFORMATION.
 - 3 SEE WIRING INSTL-BODY, 110V FOR ADDITIONAL INFORMATION.
 - 2 CONNECT BLK TO BLK, WHT TO WHT, AND GRNDS TO GRNDS.
- NOTES:
1. ALL GROUND WIRES TO BE COVERED WITH TUBING 8041-02-000.

265 CODES/STANDARDS-CSA/CMVSS
1B1 CODES/STANDARDS USA

1B1 265
FIRST USED
16 300-SERIES
DO NOT SCALE DRAWING

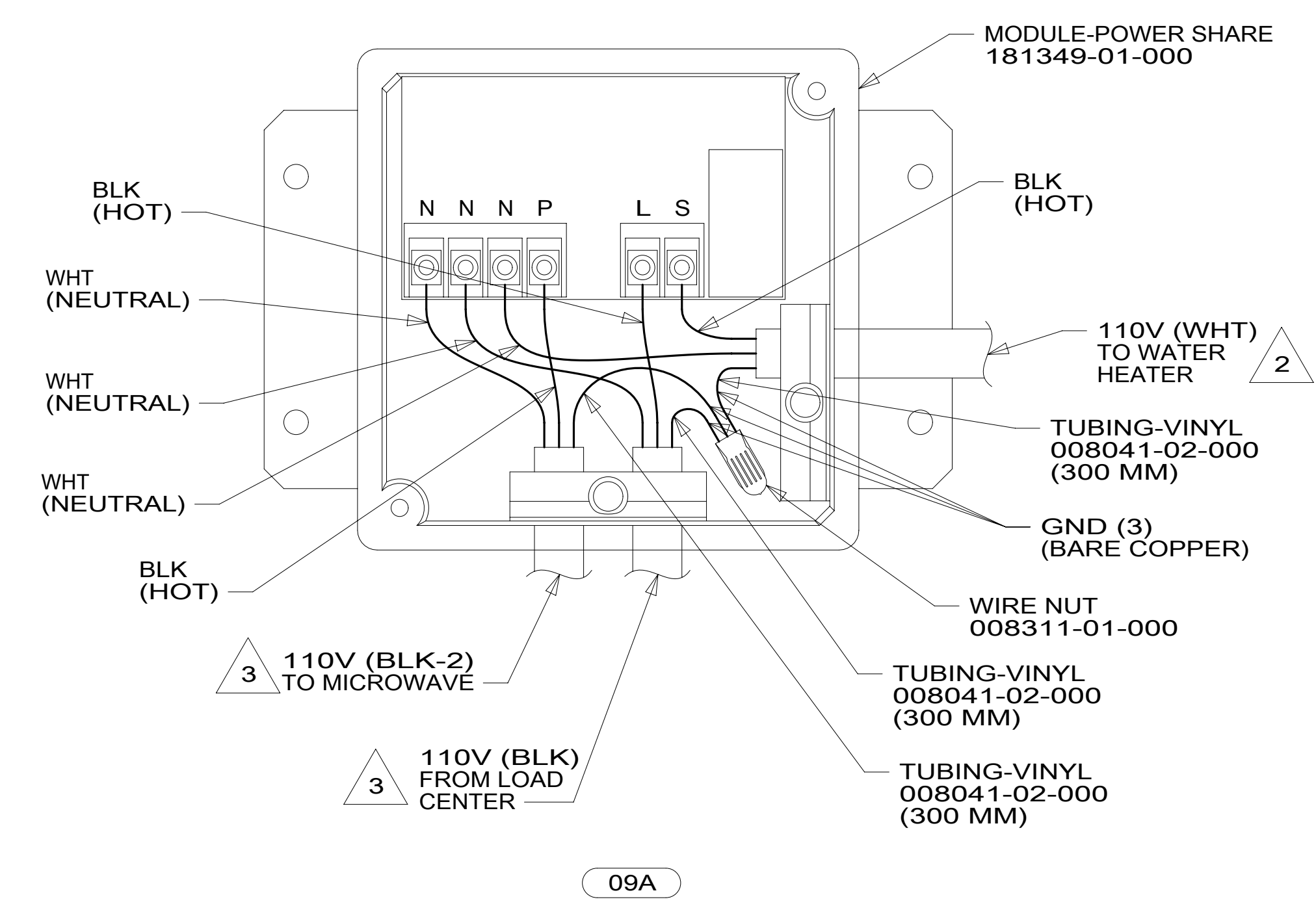
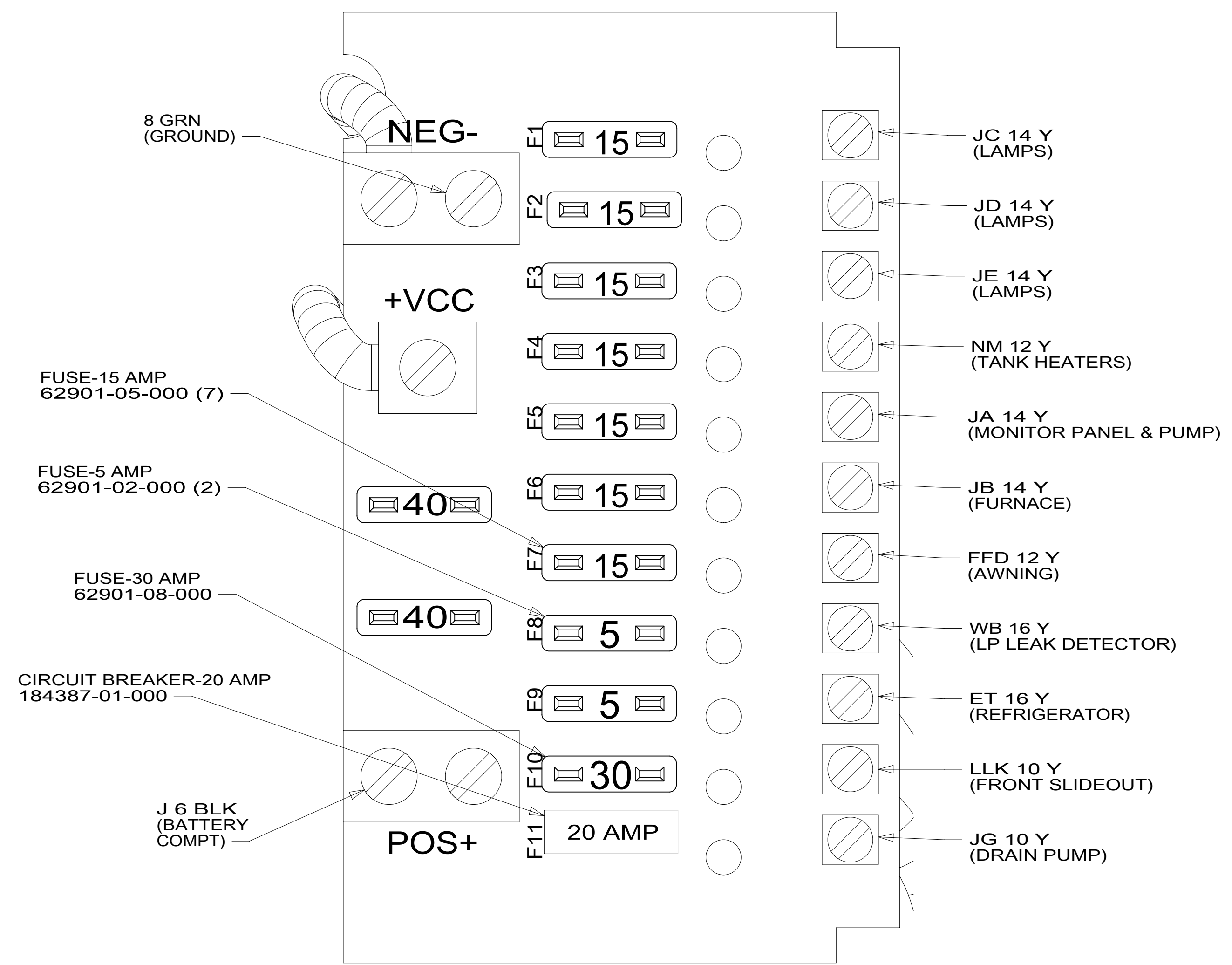
TITLE:
LOAD CENTER/ATS ASM

FOR ELECTRICAL TORQUE SPECIFICATIONS SEE DWG NO. 128783-01-000

FOR ELECTRICAL CALLOUTS SEE DWG NO. 121339-01-000

SHEET 9 PART NO **192234** REV

*192234 *A



3 CONNECT BLK AND BLK-2 WIRES TO POWER SHARE MODULE AS SHOWN.

2 CONNECT WHT WIRE TO POWER SHARE MODULE AS SHOWN.

1. ALL GROUND WIRES TO BE COVERED WITH TUBING 8041-02-000.

NOTES:

- 09A PREMIUM PACKAGE
- 265 CODES/STANDARDS-CSA/CMVSS
- 1B1 CODES/STANDARDS USA

1B1 265

FIRST USED 16 300-SERIES

DO NOT SCALE DRAWING

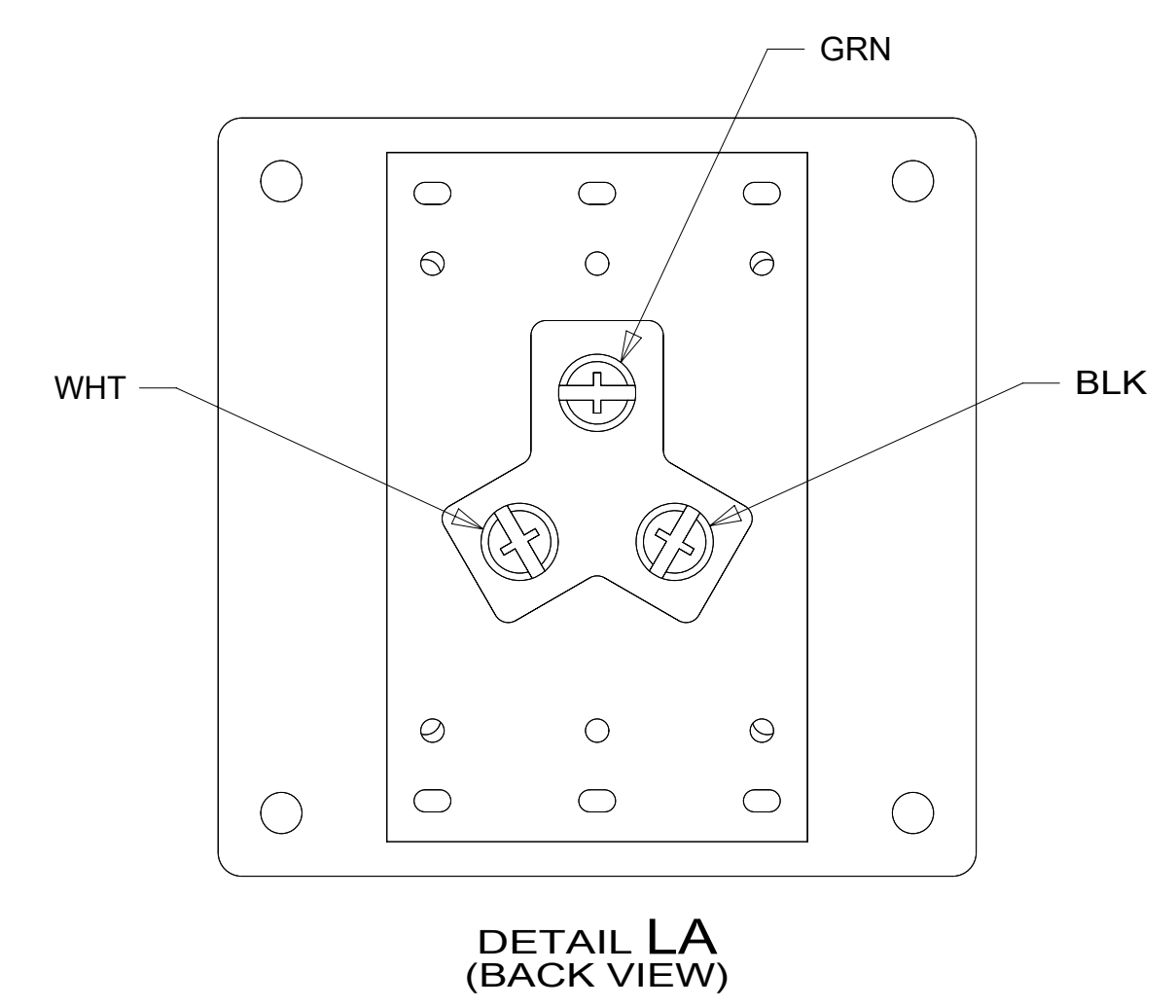
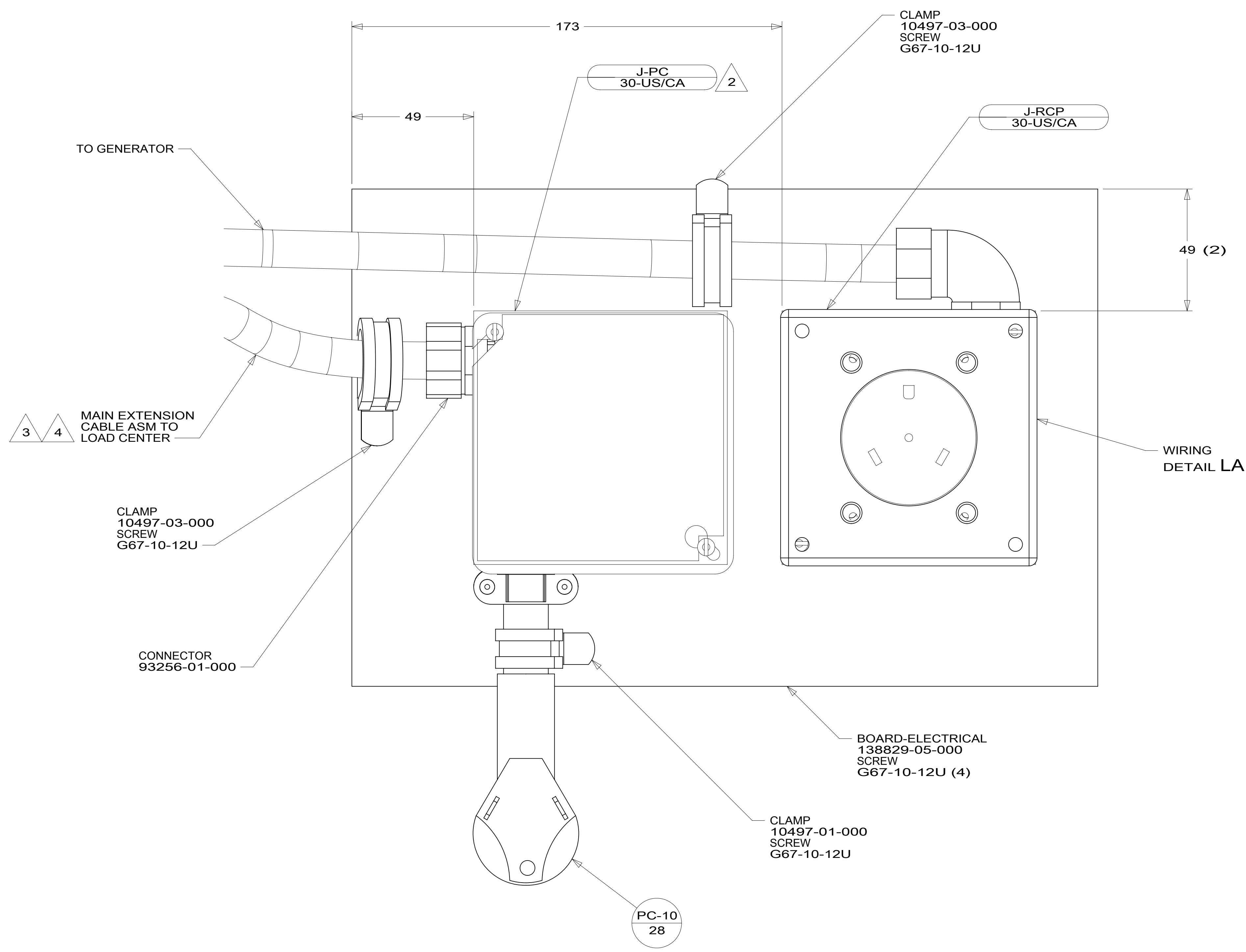
TITLE: LOAD CENTER/ATS ASM

SHEET 10 PART NO 192234 REV

FOR ELECTRICAL TORQUE SPECIFICATIONS SEE DWG NO. 128783-01-000

FOR ELECTRICAL CALLOUTS SEE DWG NO. 121339-01-000

*192234 *A



WIRING
DETAIL LA

DETAIL LA
(BACK VIEW)

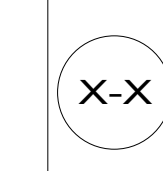
- NOTES:
- 4 SEE SHEET 1 FOR ADDITIONAL INFORMATION.
 - 3 SEE WIRING INSTL-BODY, 110V FOR ADDITIONAL INFORMATION.
 - 2 CONNECT BLK TO BLK, WHT TO WHT, AND GRNDS TO GRNDS.
1. ALL GROUND WIRES TO BE COVERED WITH TUBING 8041-02-000.

265 CODES/STANDARDS-CSA/CMVSS
1B1 CODES/STANDARDS USA

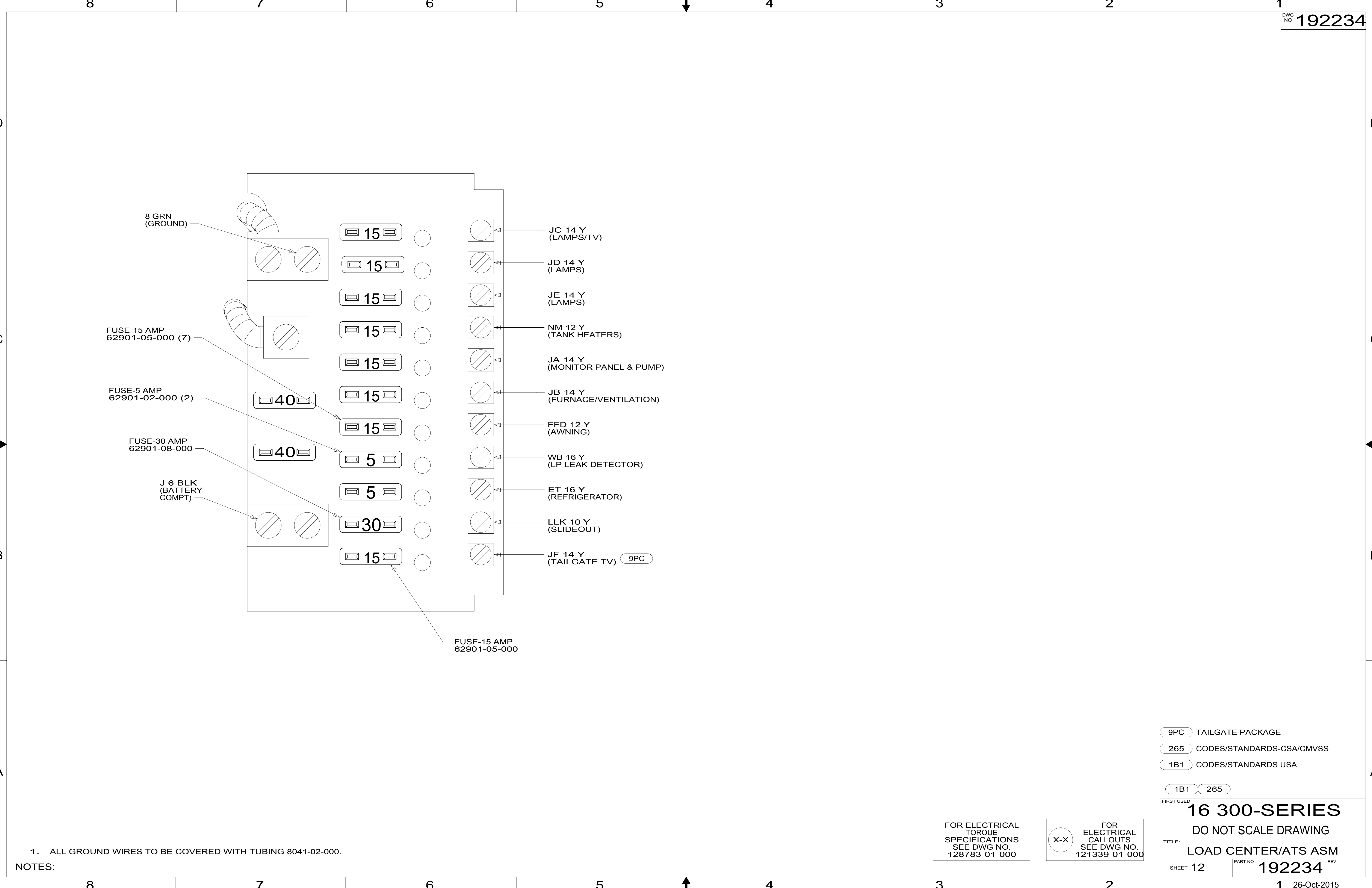
FIRST USED	
16 300-SERIES	
DO NOT SCALE DRAWING	
TITLE: LOAD CENTER/ATS ASM	
SHEET 11	PART NO 192234 REV
1 26-Oct-2015	

FOR ELECTRICAL
TORQUE
SPECIFICATIONS
SEE DWG NO.
128783-01-000

FOR
ELECTRICAL
CALLOUTS
SEE DWG NO.
121339-01-000



*192234 *A



NOTES:
 1. ALL GROUND WIRES TO BE COVERED WITH TUBING 8041-02-000.

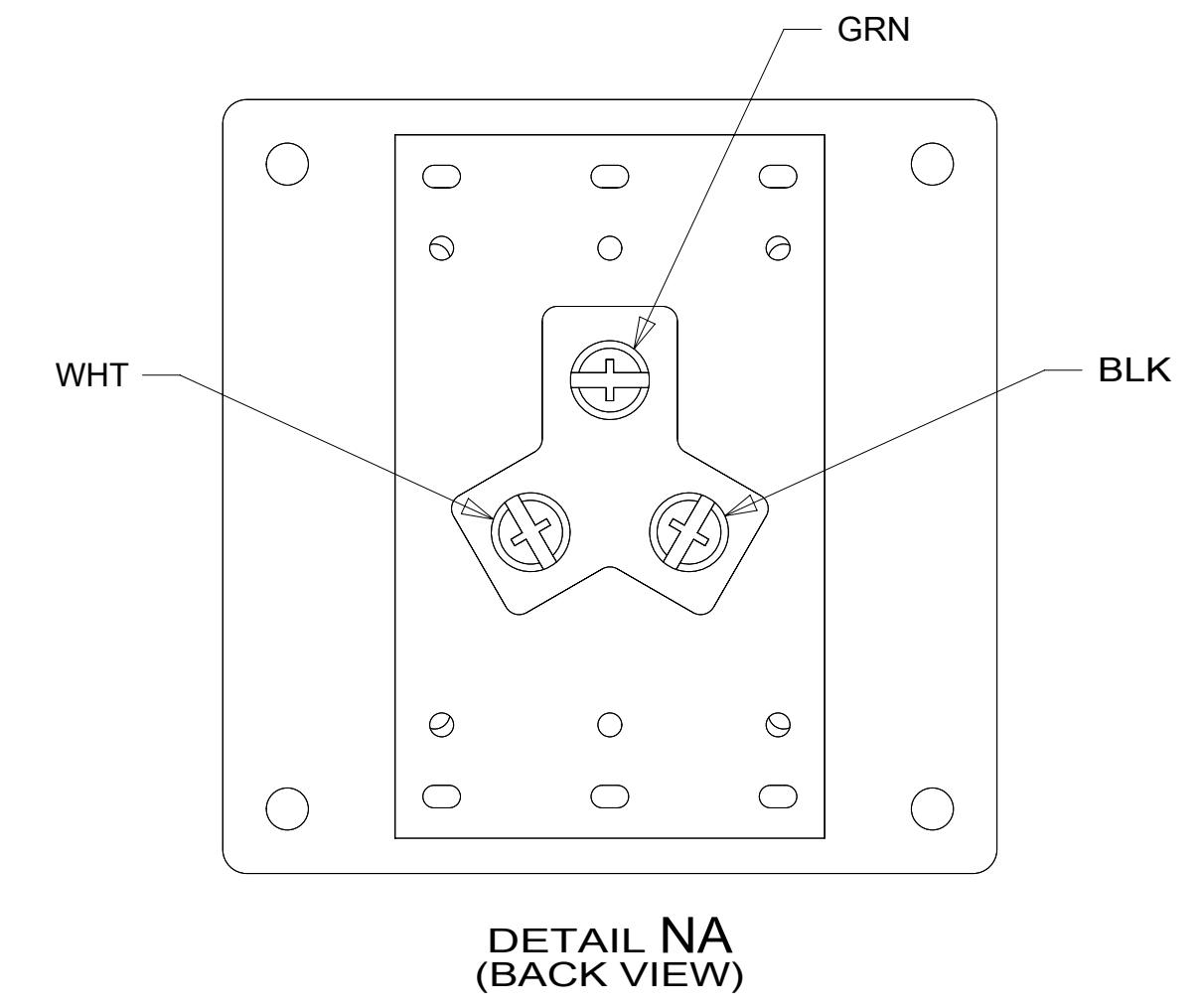
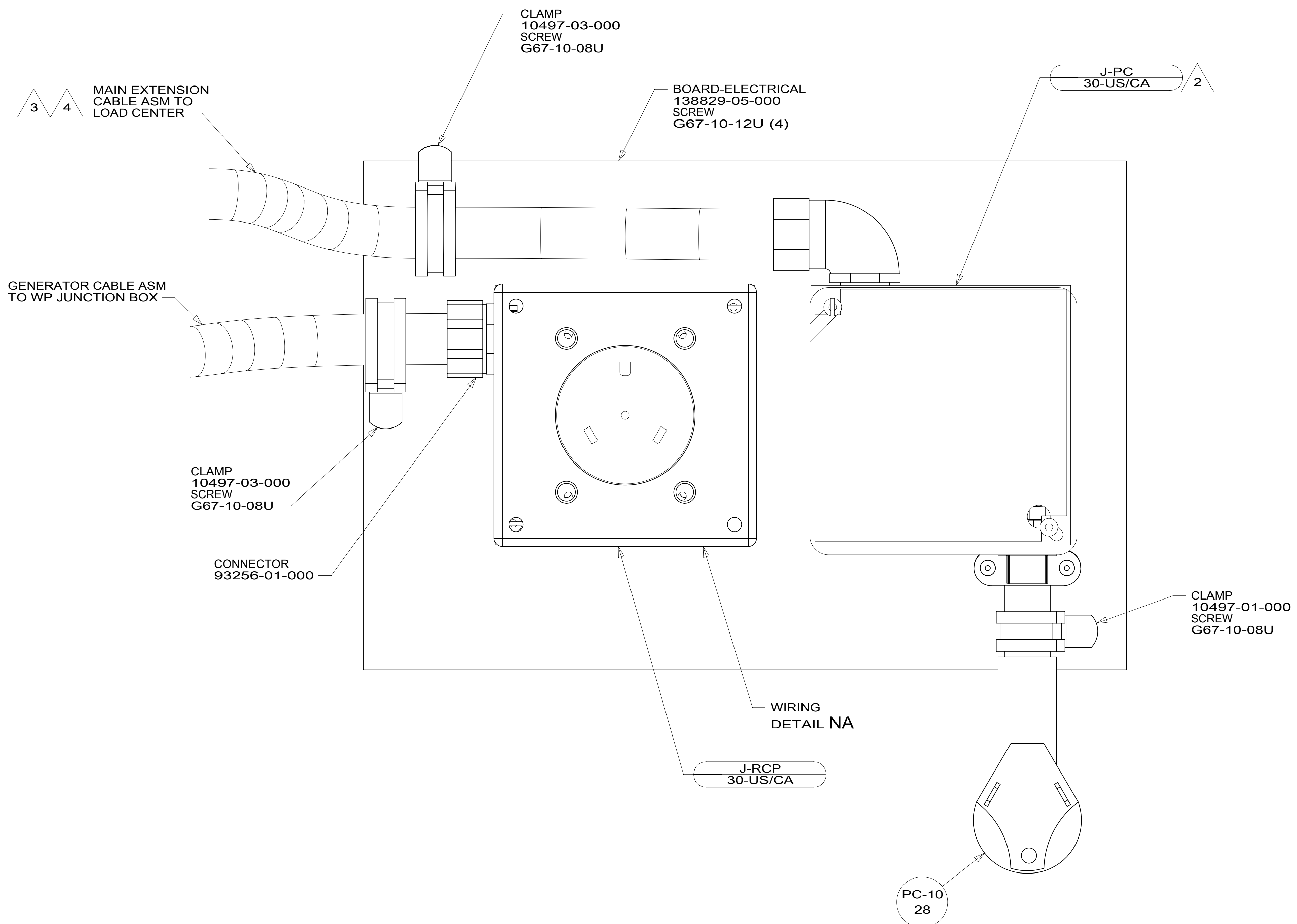
FOR ELECTRICAL TORQUE SPECIFICATIONS SEE DWG NO. 128783-01-000

FOR ELECTRICAL CALLOUTS SEE DWG NO. 121339-01-000

- 9PC TAILGATE PACKAGE
- 265 CODES/STANDARDS-CSA/CMVSS
- 1B1 CODES/STANDARDS USA

1B1	265
FIRST USED	
16 300-SERIES	
DO NOT SCALE DRAWING	
TITLE: LOAD CENTER/ATS ASM	
SHEET 12	PART NO 192234 REV

*192234 *A



- NOTES:
- 4 SEE SHEET 1 FOR ADDITIONAL INFORMATION.
 - 3 SEE WIRING INSTL-BODY, 110V FOR ADDITIONAL INFORMATION.
 - 2 CONNECT BLK TO BLK, WHT TO WHT, AND GRNDS TO GRNDS.
1. ALL GROUND WIRES TO BE COVERED WITH TUBING 8041-02-000.

265 CODES/STANDARDS-CSA/CMVSS
 1B1 CODES/STANDARDS USA

FIRST USED	
16 300-SERIES	
DO NOT SCALE DRAWING	
TITLE: LOAD CENTER/ATS ASM	
SHEET 13	PART NO 192234 REV

FOR ELECTRICAL TORQUE SPECIFICATIONS SEE DWG NO. 128783-01-000

FOR ELECTRICAL CALLOUTS SEE DWG NO. 121339-01-000

*192234 *A

