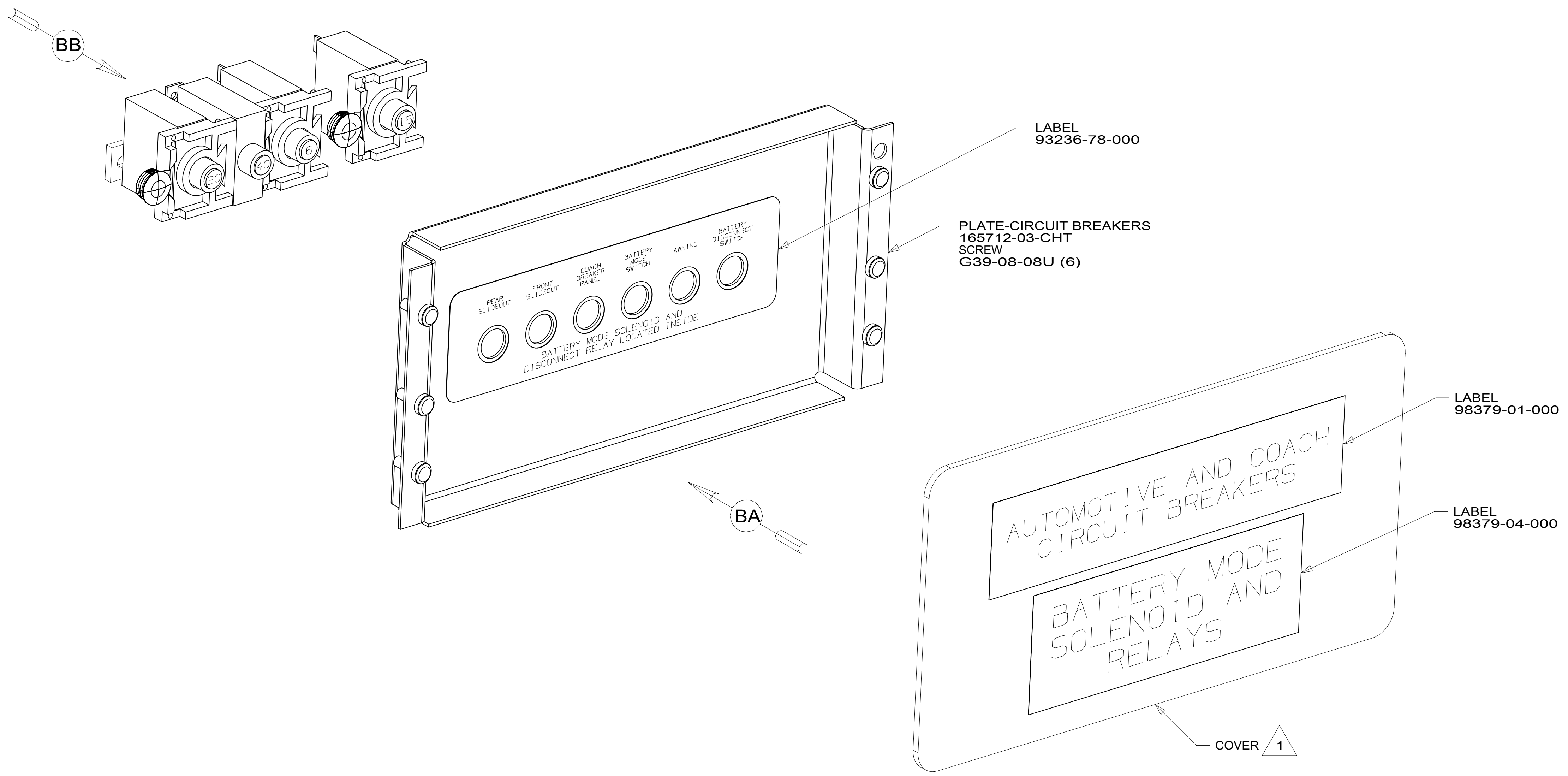


8 7 6 5 4 3 2 1



1 SUPPLIED WITH CHASSIS.  
NOTES:

<b>WINNEBAGO</b>		COPYRIGHT 2014 WINNEBAGO INDUSTRIES, INC.	
DFT-ORIG	ORIG. DATE	ALL DIMENSIONS ARE IN MILLIMETERS	
CHKR			
P.E.			
M.E.	FIRST USED	15 100-SER	
DSNR			
UNSPECIFIED TOLERANCES ARE:		MATERIAL:	
WHOLE DIM (X)	: 3		
ONE-PLACE (X.X)	: 1.5		
TWO-PLACE (X.XX)	: 0.50		
ANGLE	: 1°		
THIRD ANGLE PROJECTION			
DO NOT SCALE DRAWING	REFER TO ES0018 FOR FASTENER TIGHTENING GUIDELINES		
TITLE: CHASSIS ELECTRICAL BOX ASM			
SHEET 1 OF 2	PART NO 187567	REV	
REF:	1	08-Jul-2015	

8 7 6 5 4 3 2 1

\*187567\*

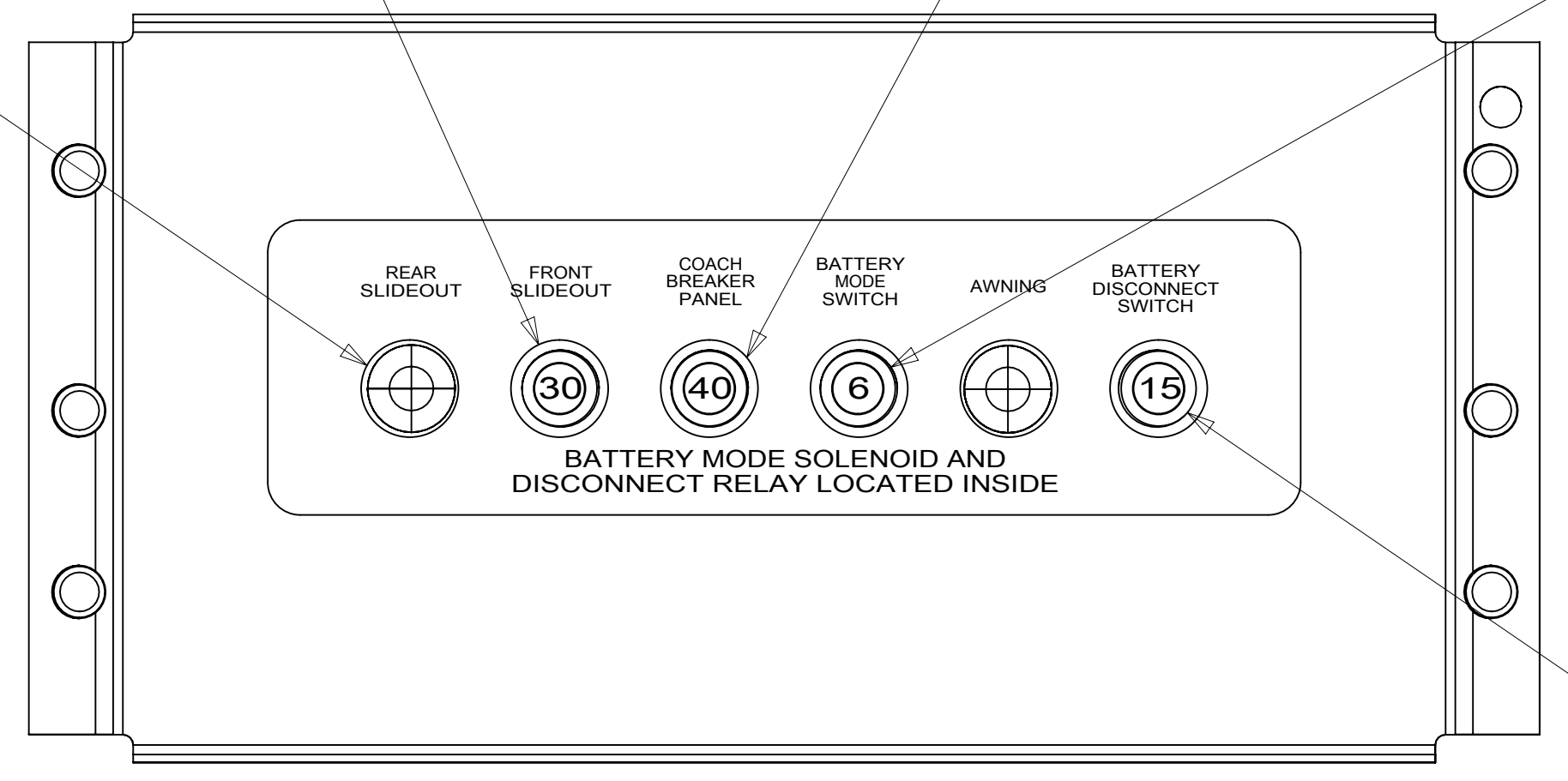
09L  
 5  
 1  
 CIRCUIT BREAKER-30 AMP  
 093655-02-000  
 SCREW  
 000G52-06-04U  
 000G52-06-05U  
 SPACER-CIRCUIT BREAKER  
 141789-01-000  
 PLUG  
 081211-06-000

1  
 CIRCUIT BREAKER-40 AMP  
 093655-03-000  
 SCREW  
 000G19-10-08U

CIRCUIT BREAKER-6 AMP  
 093654-01-000  
 SCREW  
 000G52-06-05U  
 SPACER  
 141789-01-000

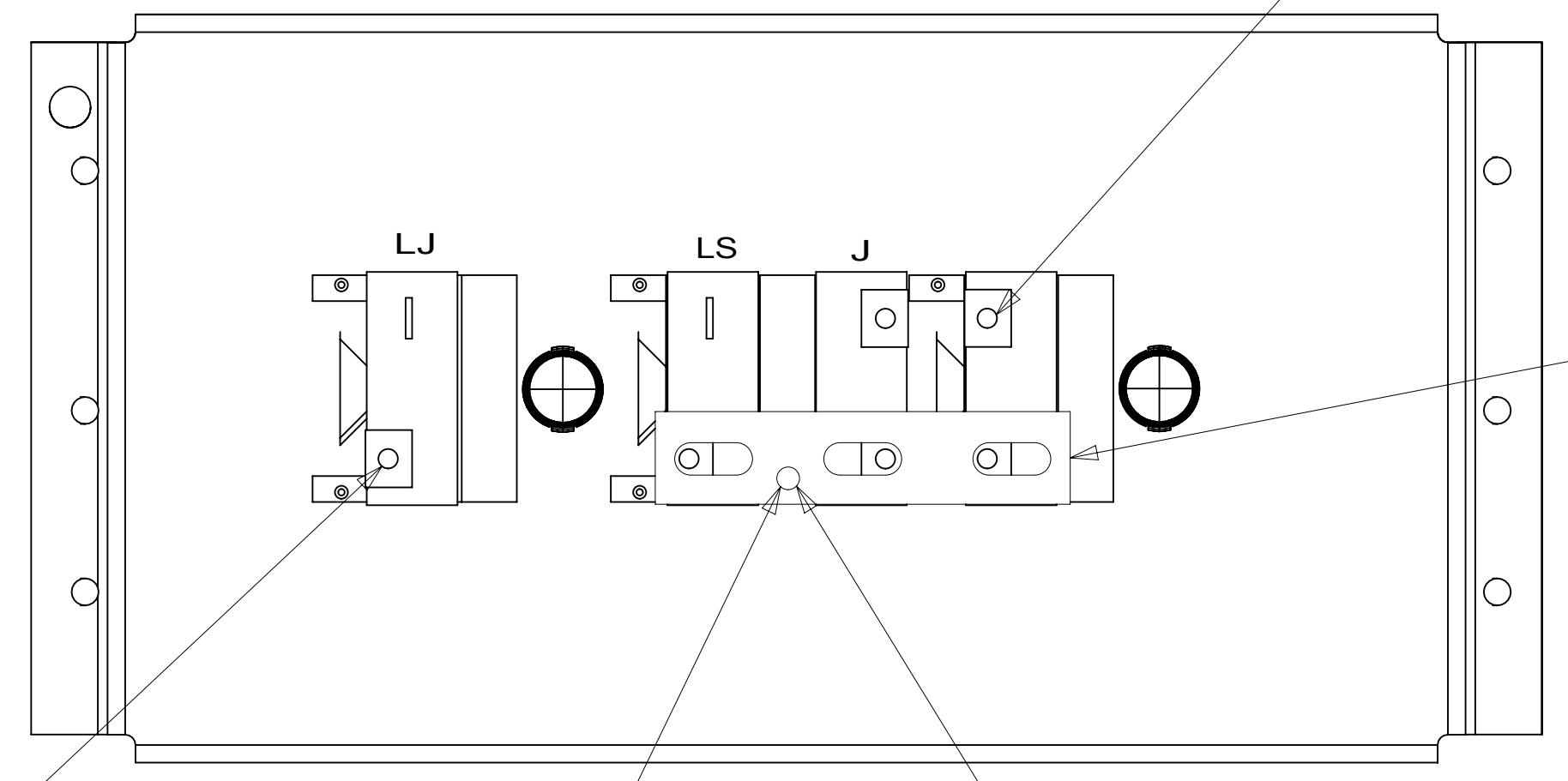
09L  
 CCY

09L  
 5  
 PLUG  
 081211-06-000 (2)

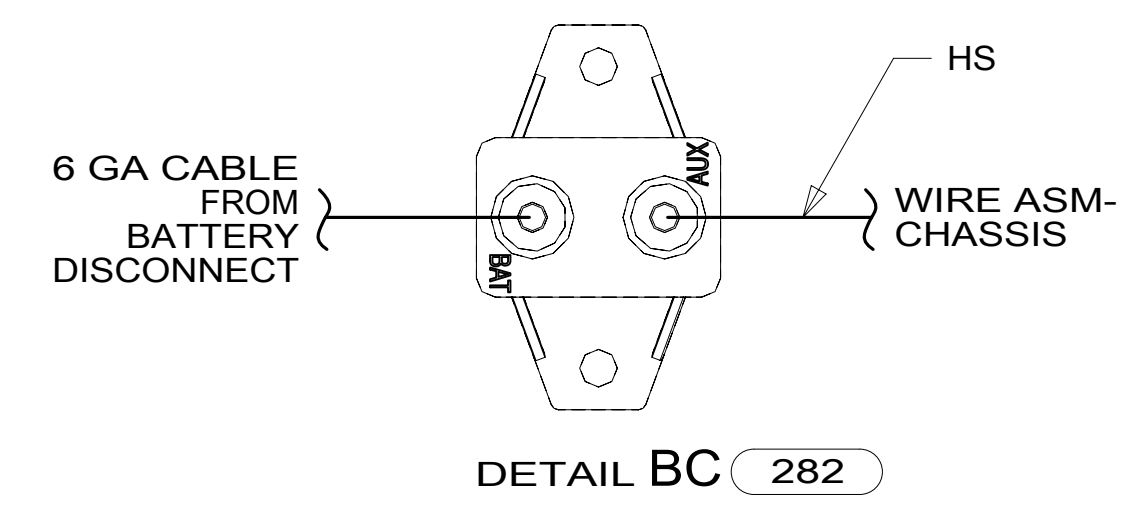


VIEW BA

CIRCUIT BREAKER-15 AMP  
 093654-02-000  
 SCREW  
 000G52-06-05U  
 SPACER  
 141789-01-000

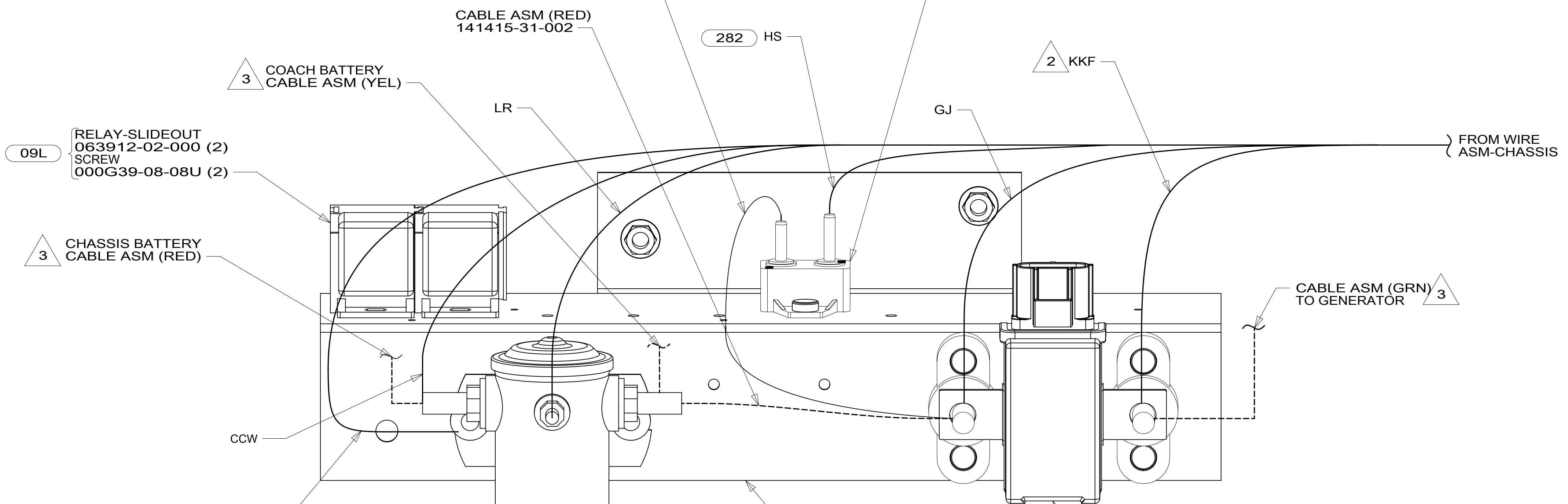


VIEW BB



DETAIL BC 282

282  
 CABLE ASM-6 GA  
 104226-01-003  
 282  
 HS  
 CIRCUIT BREAKER-30 AMP  
 183624-03-000  
 SCREW  
 G39-10-12U (2)  
 NUT  
 D24-10-00U (2)  
 WASHER  
 E13-10-00U (2)  
 DETAIL BC



- NOTES:
- 5 WITHOUT 09L
  - 4 SECURE WITH SOLENOID MOUNTING SCREW.
  - 3 WIRING INSTL-CHASSIS FOR ADDITIONAL INFORMATION.
  - 2 WIRE IS MARKED WITH YELLOW TAPE.
  - 1 REPLACE EXISTING SCREW TO PROPERLY ATTACH BREAKER TO BUSS BAR.

- 282 SOLAR PANEL - 100 WATT
- 09L SLIDEOUT ROOM FRONT LEFT
- 265 CODES/STANDARDS-CSA/CMVSS
- 1B1 CODES/STANDARDS USA

FIRST USED	
<b>15 100-SER</b>	
DO NOT SCALE DRAWING	
TITLE: <b>CHASSIS ELECTRICAL BOX ASM</b>	
SHEET 2	PART NO <b>187567</b> REV
1 08-Jul-2015	

\*187567\*