

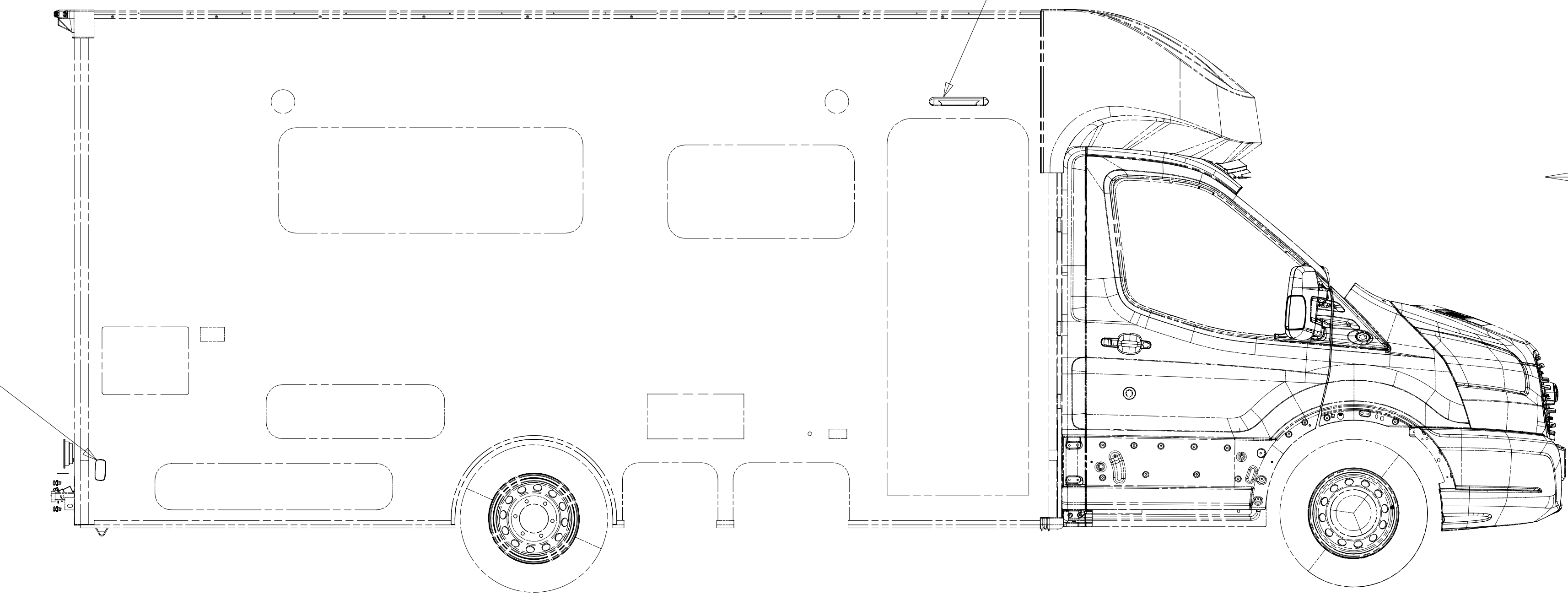
8 7 6 5 4 3 2 1

BB

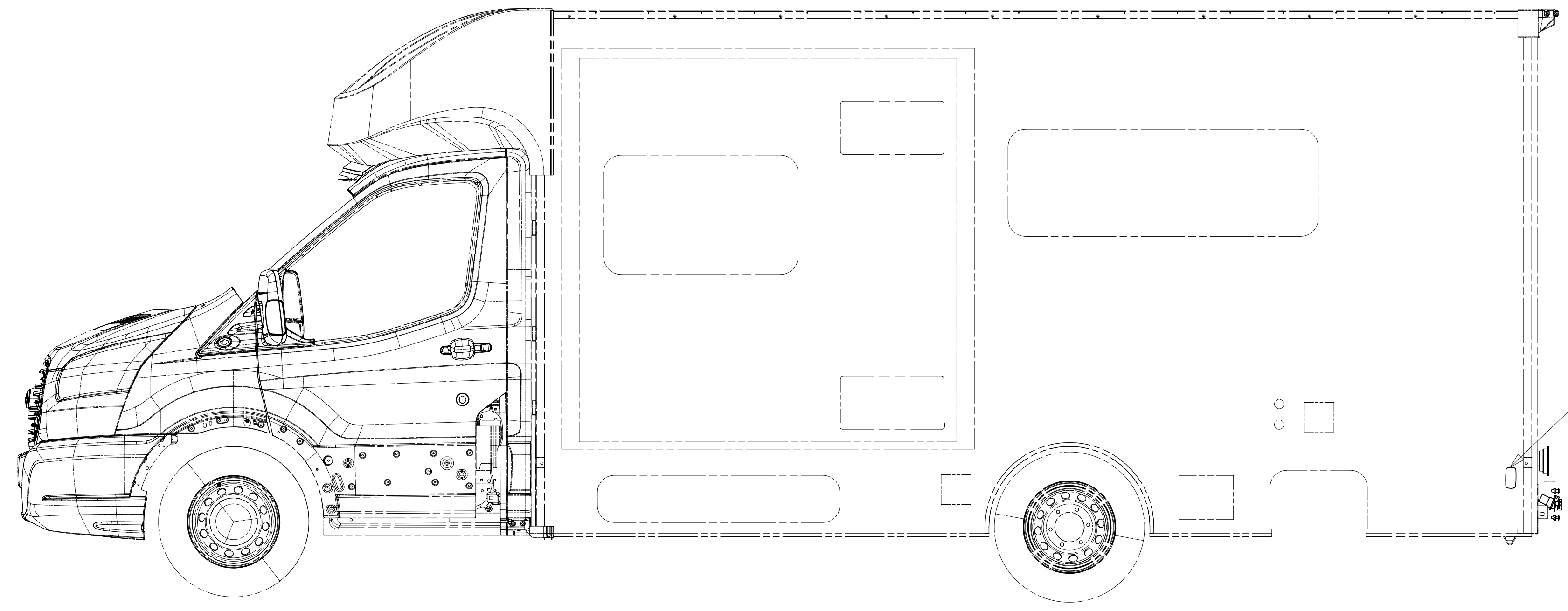
LAMP-MARKER, W RED LENS  
193802-04-000  
SCREW  
G11-08-12U (EXT)(2)

LAMP ASM-PORCH  
184120-01-CHT  
SCREW  
G68-06-10U (2)  
CONNECTOR  
58028-01-000 (2)

BA

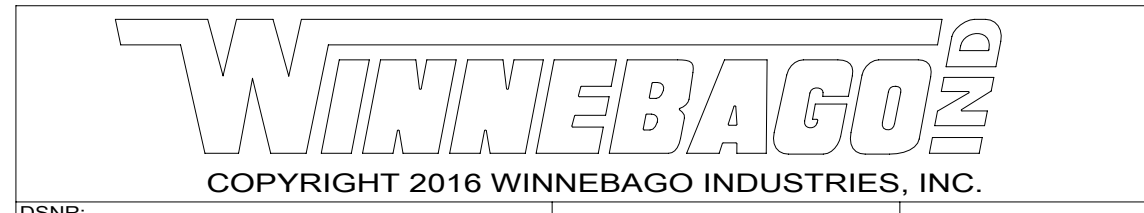


LAMP-MARKER, W RED LENS  
193802-04-000  
SCREW  
G11-08-12U (EXT)(2)



FOR ELECTRICAL  
TORQUE  
SPECIFICATIONS  
SEE DWG NO.  
128783-01-000

FOR  
ELECTRICAL  
CALLOUTS  
SEE DWG NO.  
121339-01-000



DSNR:		ALL DIMENSIONS ARE IN MILLIMETERS	
DFFR:		MATERIAL:	
UNSPECIFIED TOLERANCES:			
WHOLE DIM (X)	: 3		
ONE-PLACE (X.X)	: 1.5		
TWO-PLACE (X.XX)	: 0.50		
ANGLE	: 1°		
REFER TO ES0018 FOR FASTENER TIGHTENING GUIDELINES		WEIGHT: (LBS)	FIRST USED:
			16 423A

DESCRIPTION:  
**WIRING INSTL-EXTERIOR LAMPS**

SHEET: 1 OF 2 ITEM/PART NO: 000211438 / 30102001000 REV

REF: 1 16-Nov-2016

8 7 6 5 4 3 2 1

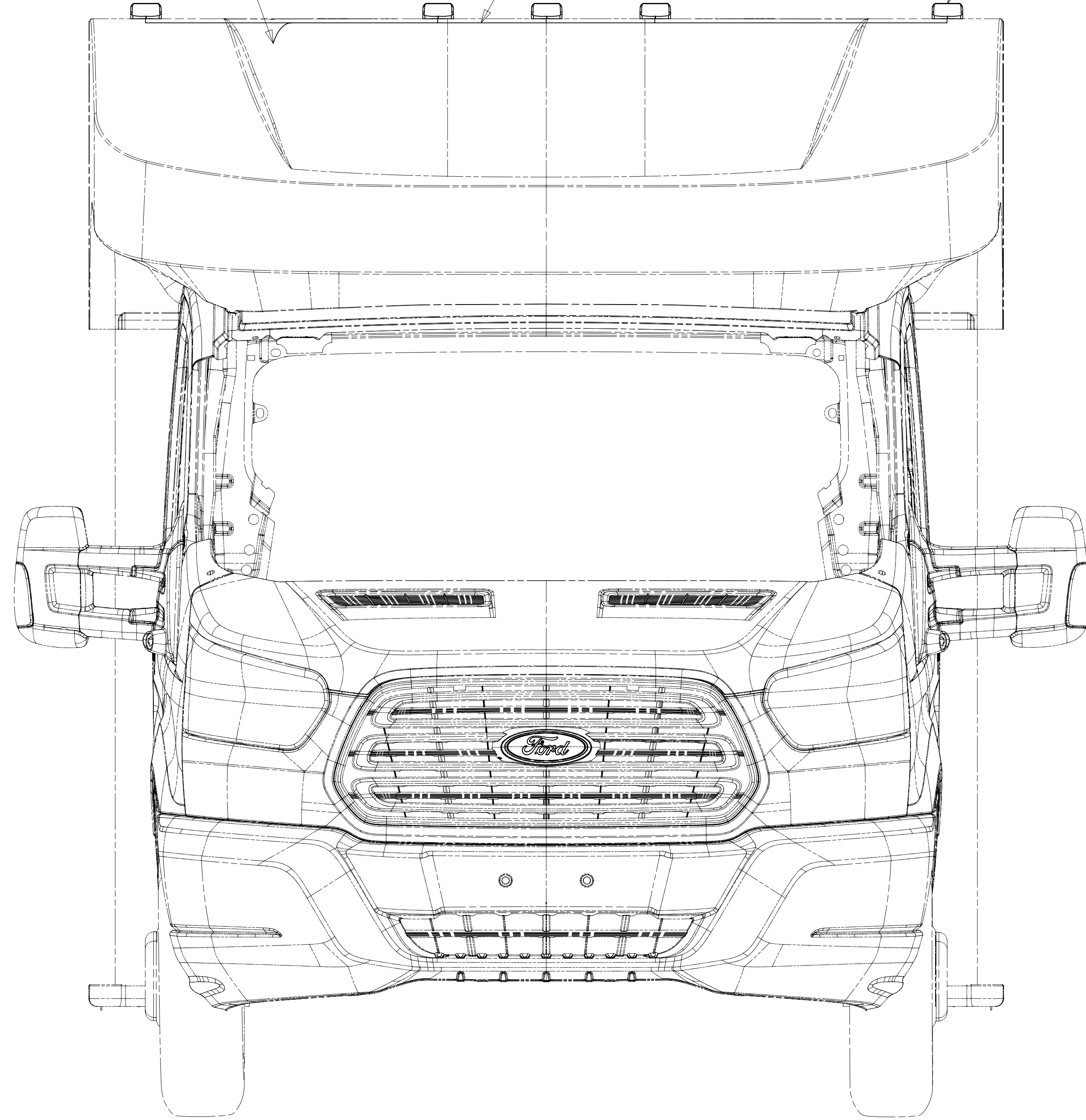
2 PIN HOUSING TO WIRE ASM-ROOF

WIRE ASM-CLEARANCE LAMP 191816-01-000

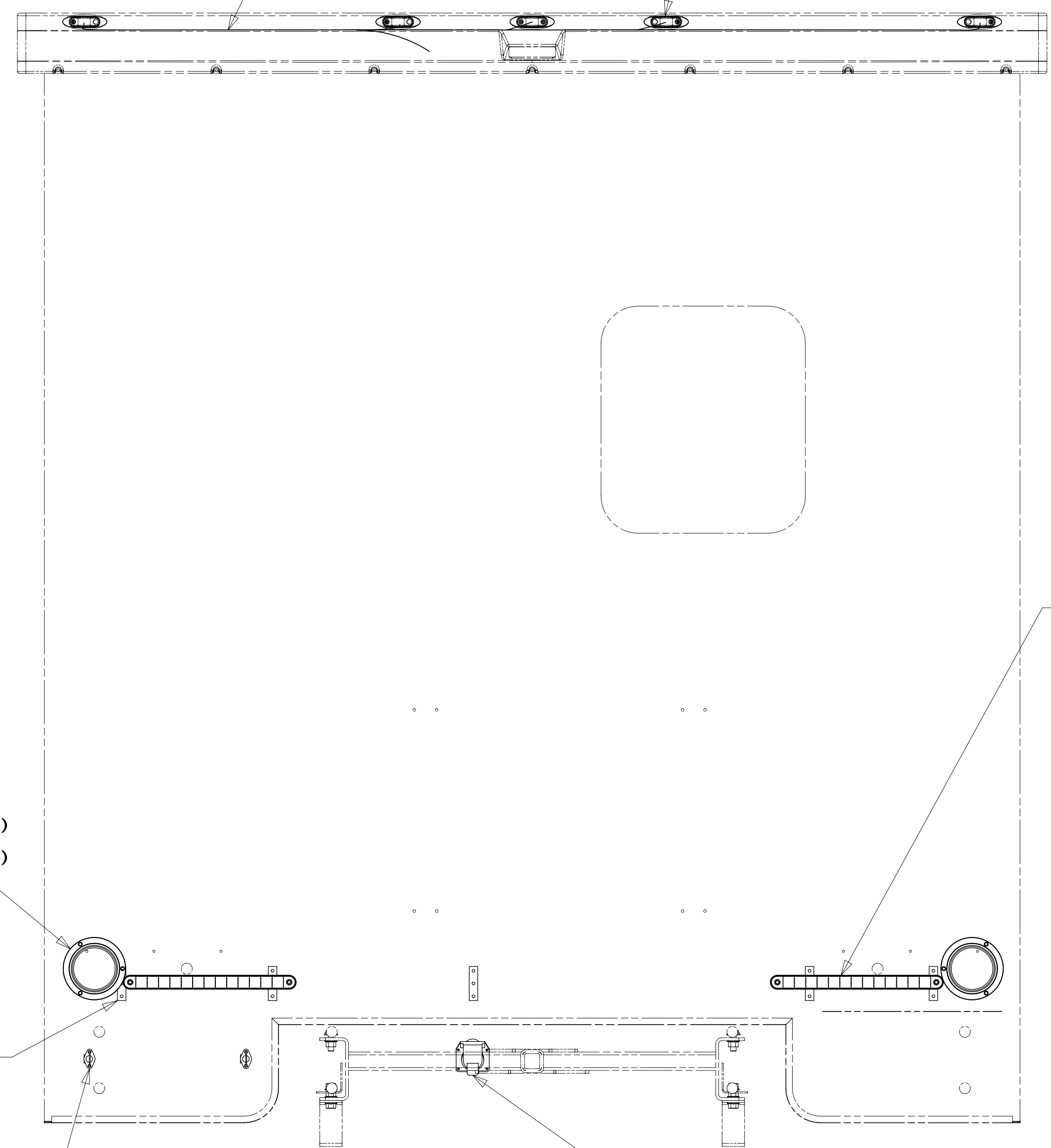
LAMP ASM-CLEARANCE,FRONT 170776-01-000 (5)

WIRE ASM-CLEARANCE LAMPS 191817-01-000

LAMP ASM-CLEARANCE 2



VIEW BA



VIEW BB

3 LAMP ASM-BACKUP 184674-01-000 (2)  
BEZEL-LAMP 184674-02-000 (2)  
SCREW G11-08-12U (6)

4 STRAP-WHOLES (REF) WIRE TIE 08343-02-000 (5)

LIGHT-LICENSE 87201-01-000 (2)  
SCREW G11-06-12U (EXT)(4)

LAMP ASM-STOP/TURN/TAIL 184653-01-000 (2)  
SCREW G11-08-12U (4) 1

CONNECTOR-TRAILER 157593-01-000  
SCREW 101618-01-000 (4) 240

- 4 CLAMP TRAILER HITCH AND EXTERIOR LAMP WIRE ALONG BOTTOM OF BACKWALL ASSEMBLY.
- 3 CUT CONNECTOR OFF OF LIGHT ASM. CONNECT CIRCUIT TR TO BLACK WIRE, CONNECT CIRCUIT MS TO WHITE WIRE.
- 2 SEE TRIM ASM-BACKWALL,UPPER FOR ADDITIONAL INFORMATION.
- 1 CONNECT CIRCUIT SC OR SD TO RED WIRE, CONNECT CIRCUIT MM TO BROWN WIRE, CONNECT CIRCUIT MS TO WHITE WIRE.

NOTES:

- 240 TRAILER HITCH
- 265 CODES/STANDARDS-CSA/CMVSS
- 1B1 CODES/STANDARDS USA

FOR ELECTRICAL TORQUE SPECIFICATIONS SEE DWG NO. 128783-01-000

FOR ELECTRICAL CALLOUTS SEE DWG NO. 121339-01-000

DESCRIPTION:	1B1 265	
<b>WIRING INSTL-EXTERIOR LAMPS</b>		
SHEET:	ITEM/PART NO.:	REV
2 OF 2	000211438 / 30102001000	