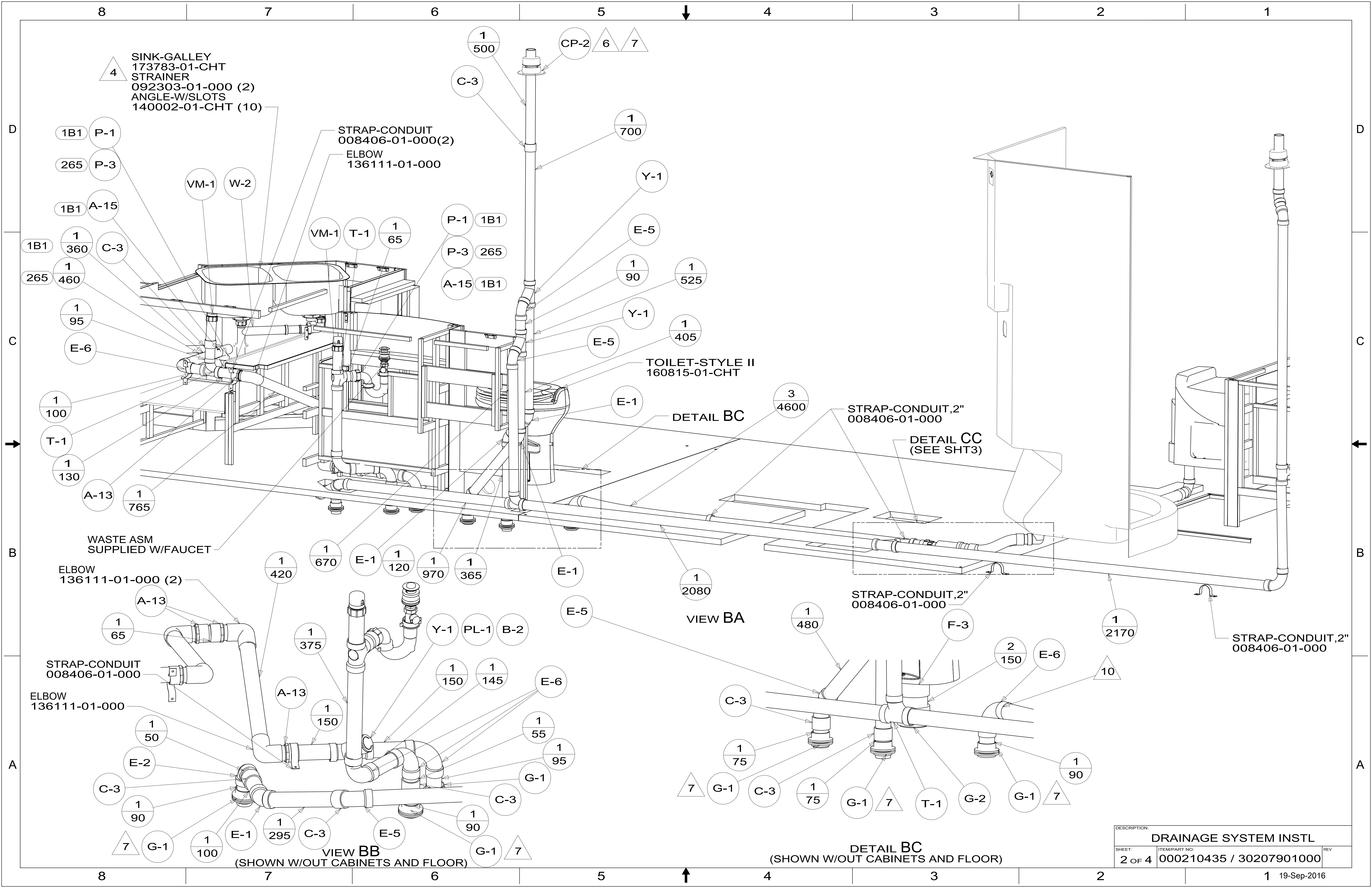


- 12. REQUIRES 5 GALLONS RV ANTIFREEZE 182955-01-000 PER TOLIET. FOLLOW TECMA TOLIET WINTERIZATION PROCEDURE.
- 11. GLUE FITTING AFTER CABINET IS INSTALLED.
- 10. APPLY PRIMER 126427-02-000 AND CEMENT 126427-01-000 BETWEEN ELBOW AND FLEX PIPE.
- 9. SEE DRAWING 061607 FOR INSTALLATION OF GROMMETS.
- 8. SECURE DRAINAGE PIPES TO CABINET USING WIRE TIE 108046-02-000, AND SCREW 000G67-10-12U AT INTERVALS OF NOT OF NOT MORE THAN 4 FEET APART.
- 7. SECURE VENT PIPE TO GROMMET WITH CLAMP 062401-02-000.
- 6. VENT PIPE MUST PROJECT 51 MIN AND 64 MAX ABOVE ROOF FOR PROPER FIT AND FUNCTION. ADD S-1 (116666-01-CHT SEAL-VENT PIPE) AROUND PIPE ON ROOF BEFORE VENT CAP IS INSTALLED.
- 5. SEAL AROUND SHOWER WITH SILICONE.
- 4. USE SMOOTH PLUMBERS PUTTY 167459-01-000 TO SEAL STRAINER (0.2 PER STRAINER).
- 3. ALL PIPE AND FITTINGS TO BE ASSEMBLED WITH SOLVENT 004020-01-000 (USA), 004020-02-000 (CAN)
- 2. SLOPE OF TRAP ARM MUST BE 6 PER 305 mm.
- 1. SLOPE OF HORIZONTAL PIPING TO BE MINIMUM OF 3 PER 305 mm.

- 21S WASHER/DRYER STACKED
- 1B1 CODES/STANDARDS USA
- 265 CODES/STDS-CSA,CMVSS
- 21M WASHER/DRYER PREP

X-X
 FOR DRAINAGE CALLOUTS SEE DWG NO. 116229-01-000

WINNEBAGO [®]		COPYRIGHT 2016 WINNEBAGO INDUSTRIES, INC.	
DSNR:	DIFTR:	UNSPECIFIED TOLERANCES:	MATERIAL:
WHOLE DIM (X) :	ONE-PLACE (X.X) :	TWO-PLACE (X.XX) :	ANGLE :
REFER TO ES0018 FOR FASTENER TIGHTENING GUIDELINES	WEIGHT: (LBS)	FIRST USED: (REF)	
16 P42E		DRAINAGE SYSTEM INSTL	
SHEET:	ITEM/PART NO.:	REV:	REF:
1 OF 4	000210435 / 30207901000	1	19-Sep-2016



4
 SINK-GALLEY
 173783-01-CHT
 STRAINER
 092303-01-000 (2)
 ANGLE-W/SLOTS
 140002-01-CHT (10)

STRAP-CONDUIT
 008406-01-000(2)
 ELBOW
 136111-01-000

TOILET-STYLE II
 160815-01-CHT

WASTE ASM
 SUPPLIED W/FAUCET

STRAP-CONDUIT, 2"
 008406-01-000

DETAIL CC
 (SEE SHT3)

STRAP-CONDUIT, 2"
 008406-01-000

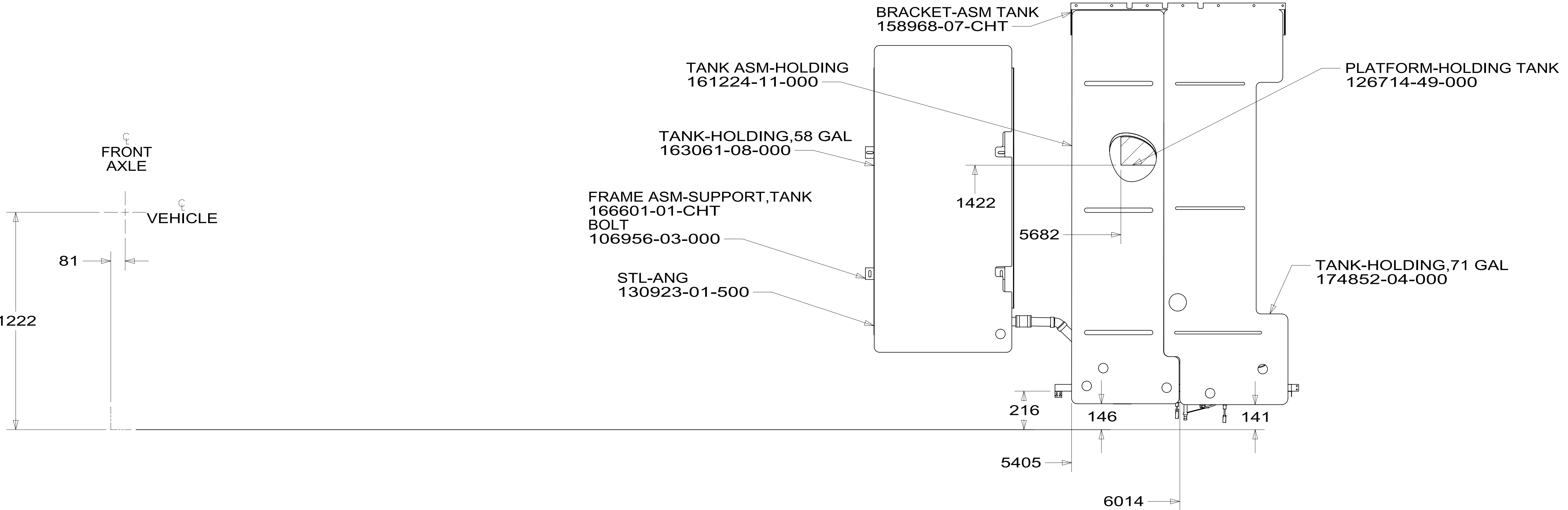
STRAP-CONDUIT, 2"
 008406-01-000

VIEW BB
 (SHOWN W/OUT CABINETS AND FLOOR)

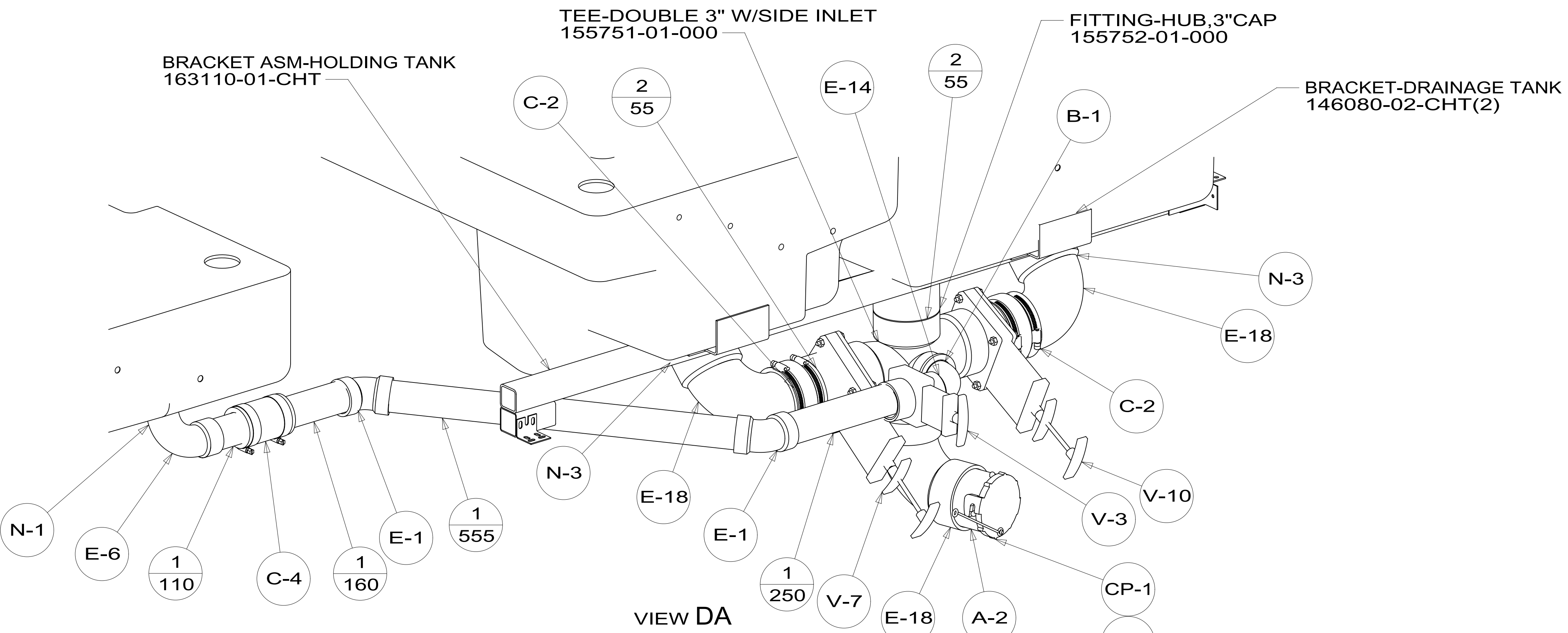
DETAIL BC
 (SHOWN W/OUT CABINETS AND FLOOR)

DESCRIPTION: DRAINAGE SYSTEM INSTL		
SHEET: 2 OF 4	ITEM/PART NO: 000210435 / 30207901000	REV
		19-Sep-2016

8 7 6 5 4 3 2 1



TOP VIEW SHOWING TANKS AND DRAINS



VALVE-SEWER HOSE
144728-01-000
CLAMP-HOSE
62401-09-000

DESCRIPTION: DRAINAGE SYSTEM INSTL		
SHEET: 4 OF 4	ITEM/PART NO: 000210435 / 30207901000	REV

8 7 6 5 4 3 2 1 19-Sep-2016