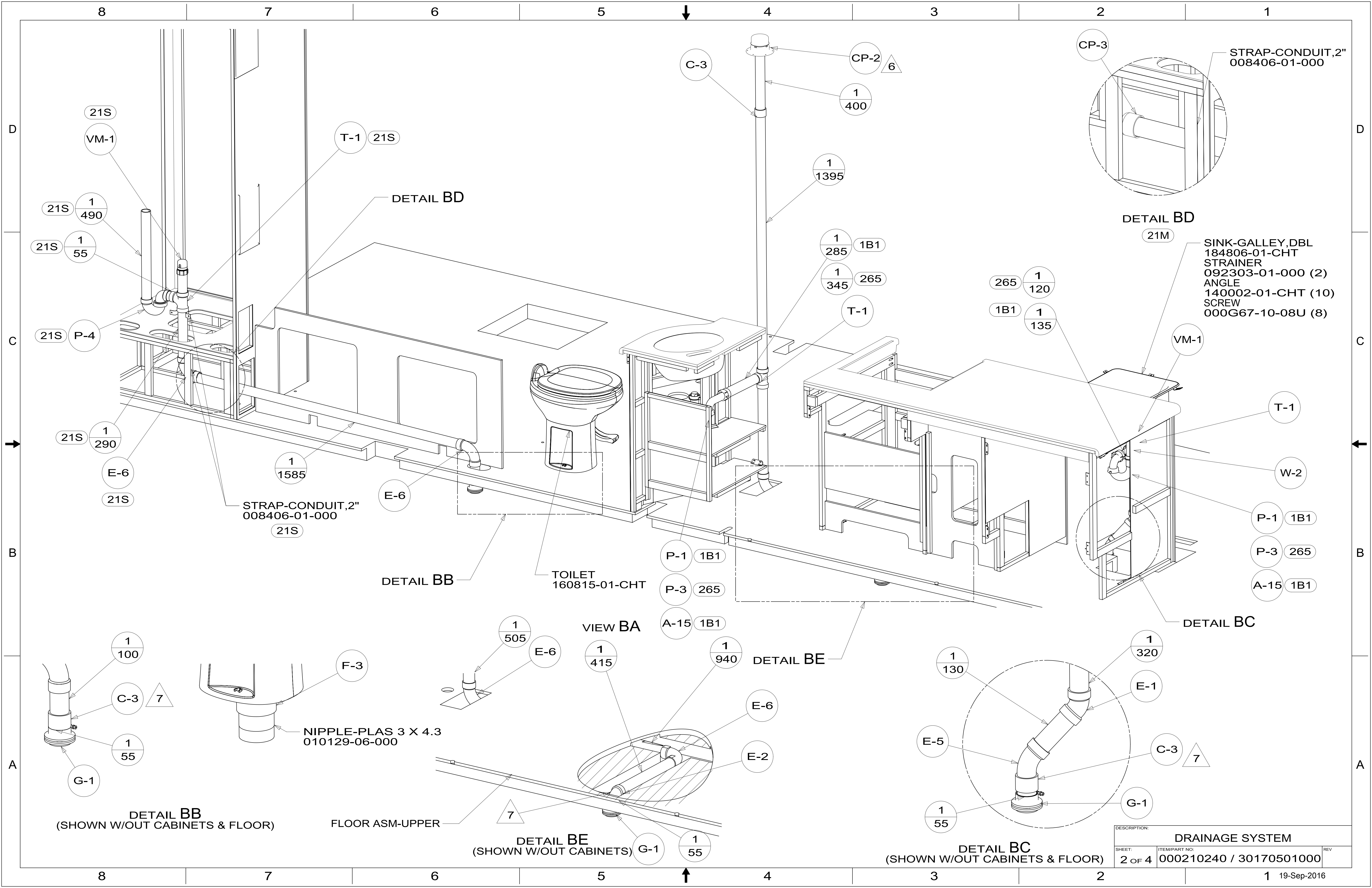


- 9. SEE DRAWING 061607 FOR INSTALLATION OF GROMMETS.
- 8. SECURE DRAINAGE PIPES TO CABINET USING WIRE TIE 108046-02-000, AND SCREW 000G67-10-12U AT INTERVALS OF NOT OF NOT MORE THAN 4 FEET APART.
- 7. SECURE VENT PIPE TO FLOOR WITH CLAMP 062401-02-000 (2), SCREW 000G67-10-12U (2), BRACKET 136878-01-CHT (2).
- 6. VENT PIPE MUST PROJECT 51 MIN AND 64 MAX ABOVE ROOF FOR PROPER FIT AND FUNCTION. ADD S-1 (116666-01-CHT SEAL-VENT PIPE) AROUND PIPE ON ROOF BEFORE VENT CAP IS INSTALLED.
- 5. SEAL AROUND SHOWER WITH SILICONE.
- 4. USE SMOOTH PLUMBERS PUTTY 167459-01-000 TO SEAL STRAINER (0.2 PER STRAINER).
- 3. ALL PIPE AND FITTINGS TO BE ASSEMBLED WITH SOLVENT 004020-01-000 (USA), 004020-02-000 (CAN)
- 2. SLOPE OF TRAP ARM MUST BE 6 PER 305 mm.
- 1. SLOPE OF HORIZONTAL PIPING TO BE MINIMUM OF 3 PER 305 mm.

- 1B1 CODES/STANDARDS USA
- 265 CODES/STANDARDS-CSA/CMVSS
- 21M WASHER/DRYER PREP
- 21S WASHER & DRYER-PAIR

WINNEBAGO [®]		COPYRIGHT 2016 WINNEBAGO INDUSTRIES, INC.	
DSNR:		ALL DIMENSIONS ARE IN MILLIMETERS	
DIFFR:		MATERIAL:	
UNSPECIFIED TOLERANCES:		WEIGHT: (LBS)	FIRST USED: (REF)
WHOLE DIM (X)	3		
ONE-PLACE (X.X)	1.5		
TWO-PLACE (X.XX)	0.50		
ANGLE	1°		
REFER TO ES0018 FOR FASTENER TIGHTENING GUIDELINES			
DESCRIPTION:			
DRAINAGE SYSTEM			
SHEET:	ITEM/PART NO:	REV	
1 OF 4	000210240 / 30170501000		

X-X
FOR DRAINAGE CALLOUTS SEE DWG NO. 116229-01-000



STRAP-CONDUIT, 2"
008406-01-000

DETAIL BD

SINK-GALLEY, DBL
184806-01-CHT
STRAINER
092303-01-000 (2)
ANGLE
140002-01-CHT (10)
SCREW
000G67-10-08U (8)

STRAP-CONDUIT, 2"
008406-01-000

TOILET
160815-01-CHT

NIPPLE-PLAS 3 X 4.3
010129-06-000

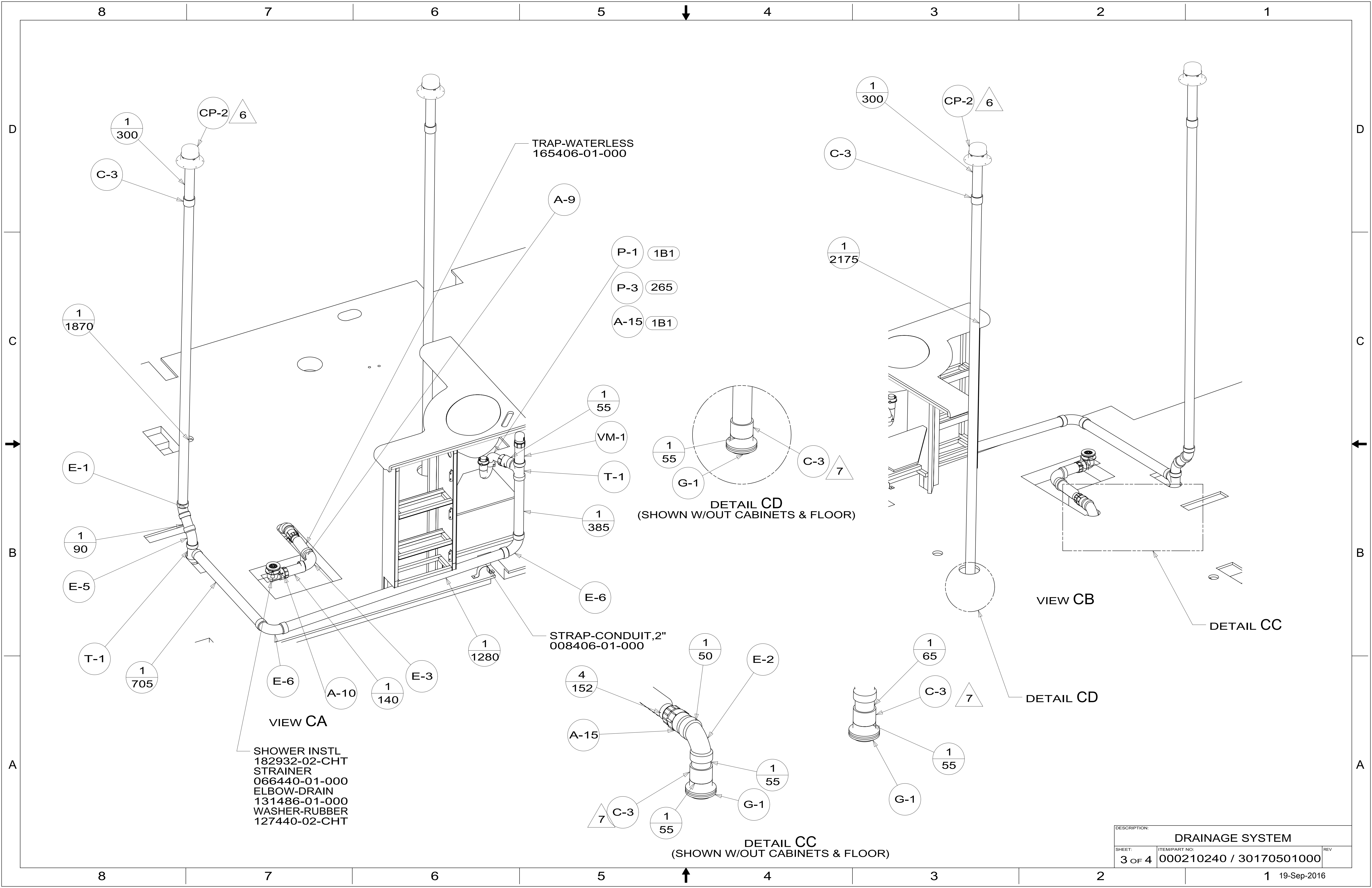
DETAIL BB
(SHOWN W/OUT CABINETS & FLOOR)

FLOOR ASM-UPPER

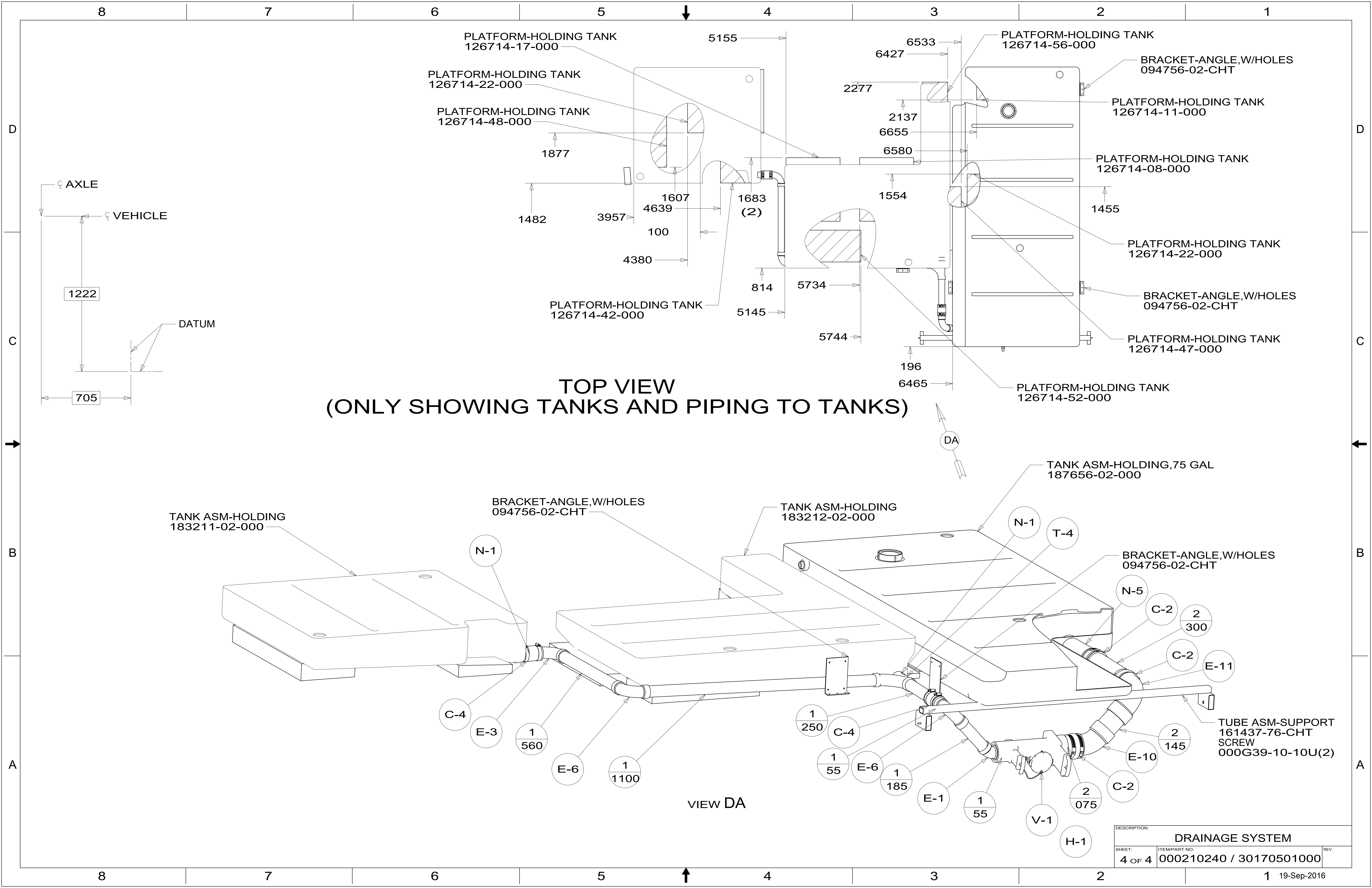
DETAIL BE
(SHOWN W/OUT CABINETS)

DETAIL BC
(SHOWN W/OUT CABINETS & FLOOR)

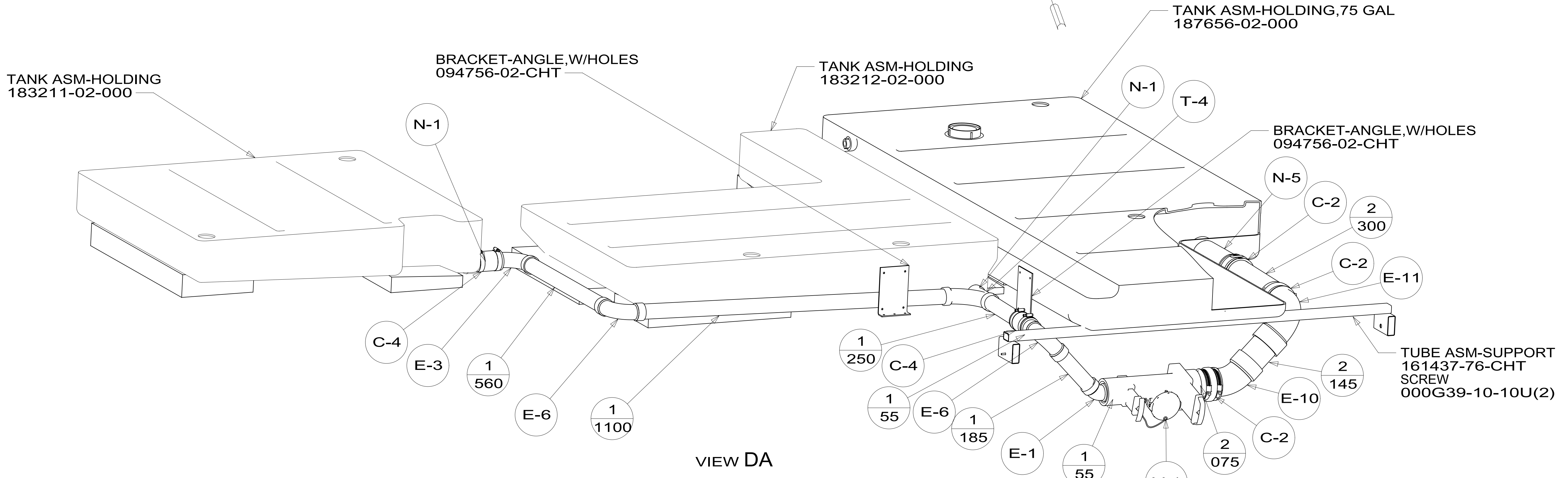
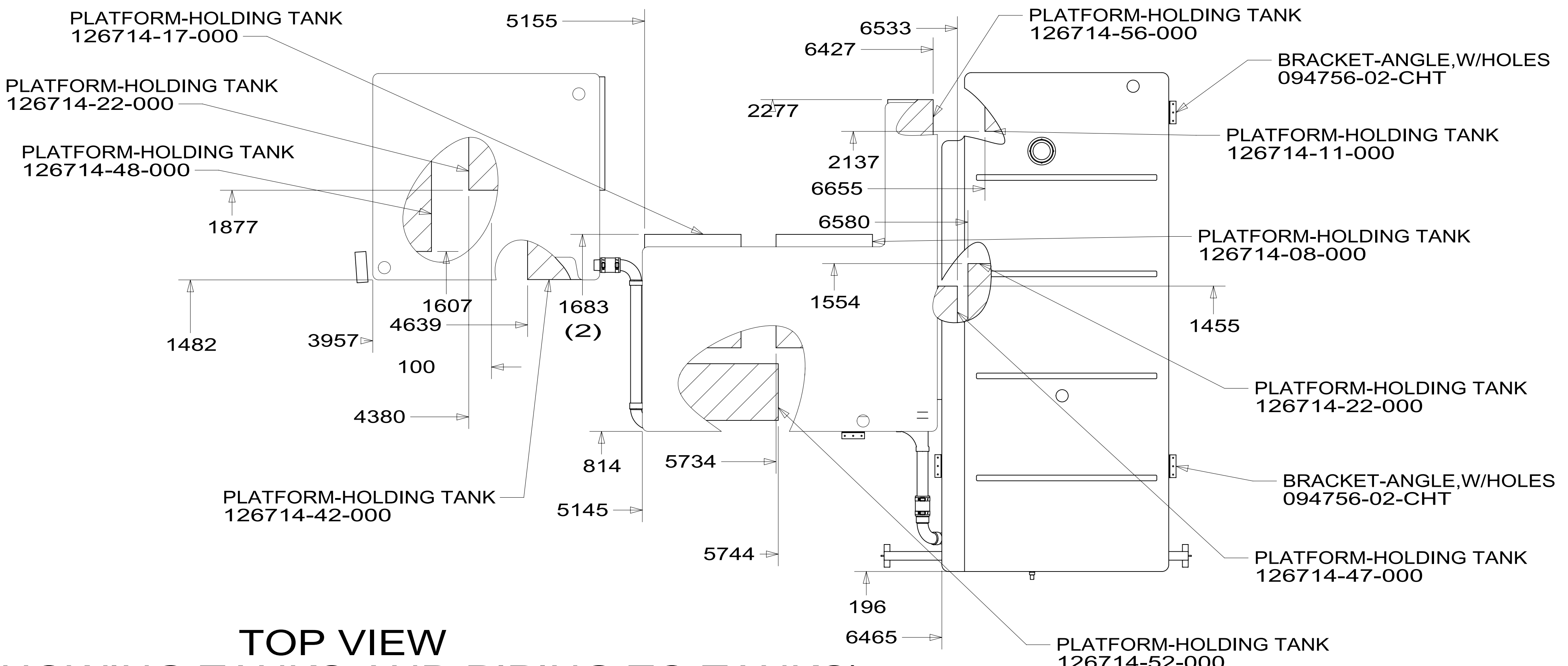
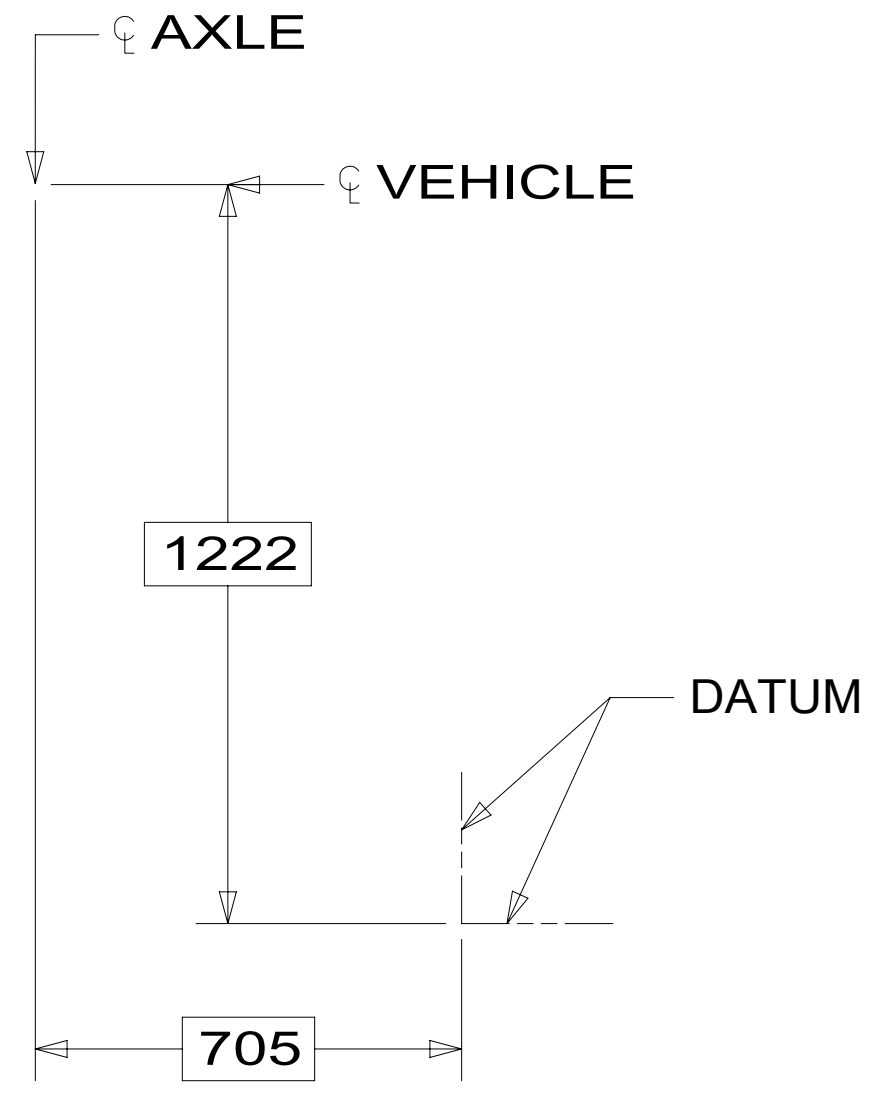
DESCRIPTION:		
DRAINAGE SYSTEM		
SHEET:	ITEM/PART NO:	REV
2 OF 4	000210240 / 30170501000	



DESCRIPTION:		
DRAINAGE SYSTEM		
SHEET:	ITEM/PART NO:	REV
3 OF 4	000210240 / 30170501000	



**TOP VIEW
(ONLY SHOWING TANKS AND PIPING TO TANKS)**



DESCRIPTION: DRAINAGE SYSTEM		
SHEET: 4 OF 4	ITEM/PART NO: 000210240 / 30170501000	REV