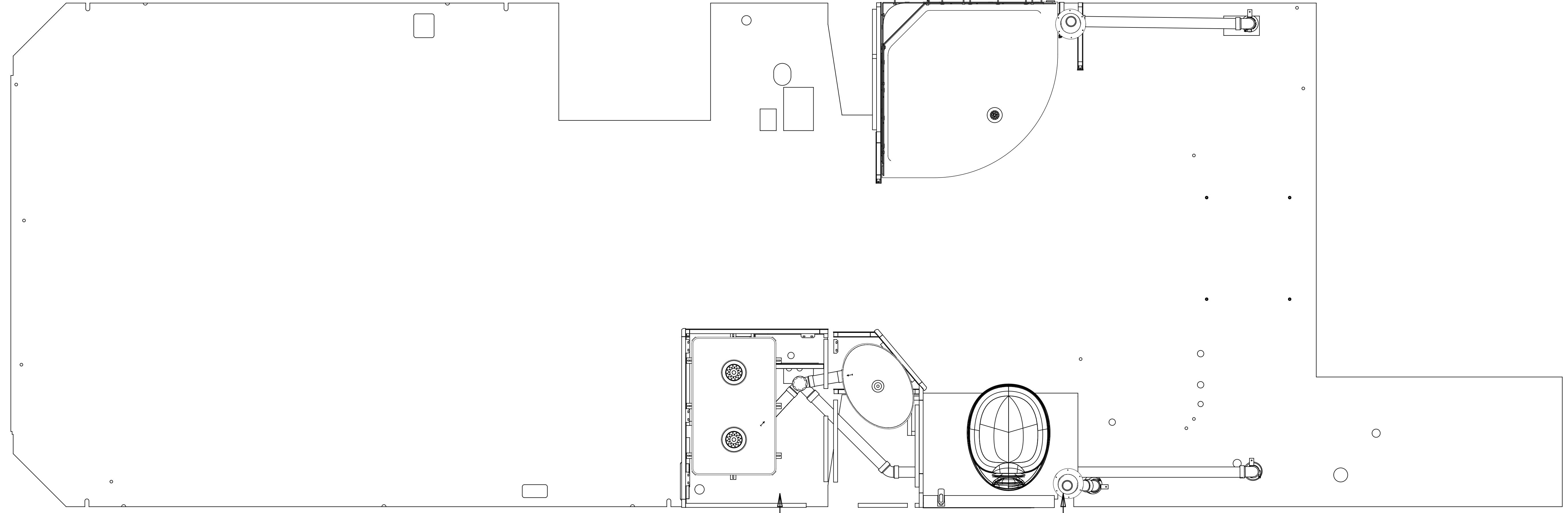


REV	ZONE	REVISION RECORD	DATE	DFTR-ORIG
A	---	INITIAL RELEASE	11-04-15	4569
B	---	NEW SINK-GALLEY	05/27/16	3650-3660
C	S2B4	REPLACE VM-1 WITH VM-2	6/2/17	0654
D	SHT2	W-3 WAS W-2	09-01-17	0626-1600
E	SHT4	C-5 WAS C-2	11-3-17	8378-9080



- 10. APPLY 1/4" BEAD OF SILICONE (131264-05-CHT) TO GLANGE BEFORE INSTALLATION AND THEN CAP SEAL SINK/CORIAN COUNTER TOP WITH SILICONE (131264-05-CHT).
- 9. SEE DRAWING 061607 FOR INSTALLATION OF GROMMETS.
- 8. SECURE DRAINAGE PIPES TO CABINET USING WIRE TIE 108046-02-000, AND SCREW 000G67-10-12U AT INTERVALS OF NOT OF NOT MORE THAN 4 FEET APART.
- 7. SECURE VENT PIPE TO FLOOR WITH CLAMP 062401-02-000 (2), SCREW 000G67-10-12U (2), BRACKET 136878-01-CHT (2).
- 6. VENT PIPE MUST PROJECT 51 MIN AND 64 MAX ABOVE ROOF FOR PROPER FIT AND FUNCTION. ADD S-1 (116666-01-CHT SEAL-VENT PIPE) AROUND PIPE ON ROOF BEFORE VENT CAP IS INSTALLED.
- 5. SEAL AROUND SHOWER WITH SILICONE.
- 4. USE SMOOTH PLUMBERS PUTTY 167459-01-000 TO SEAL STRAINER (0.2 PER STRAINER).
- 3. ALL PIPE AND FITTINGS TO BE ASSEMBLED WITH SOLVENT 004020-01-000 (USA), 004020-02-000 (CAN)
- 2. SLOPE OF TRAP ARM MUST BE 6 PER 305 mm.
- 1. SLOPE OF HORIZONTAL PIPING TO BE MINIMUM OF 3 PER 305 mm.

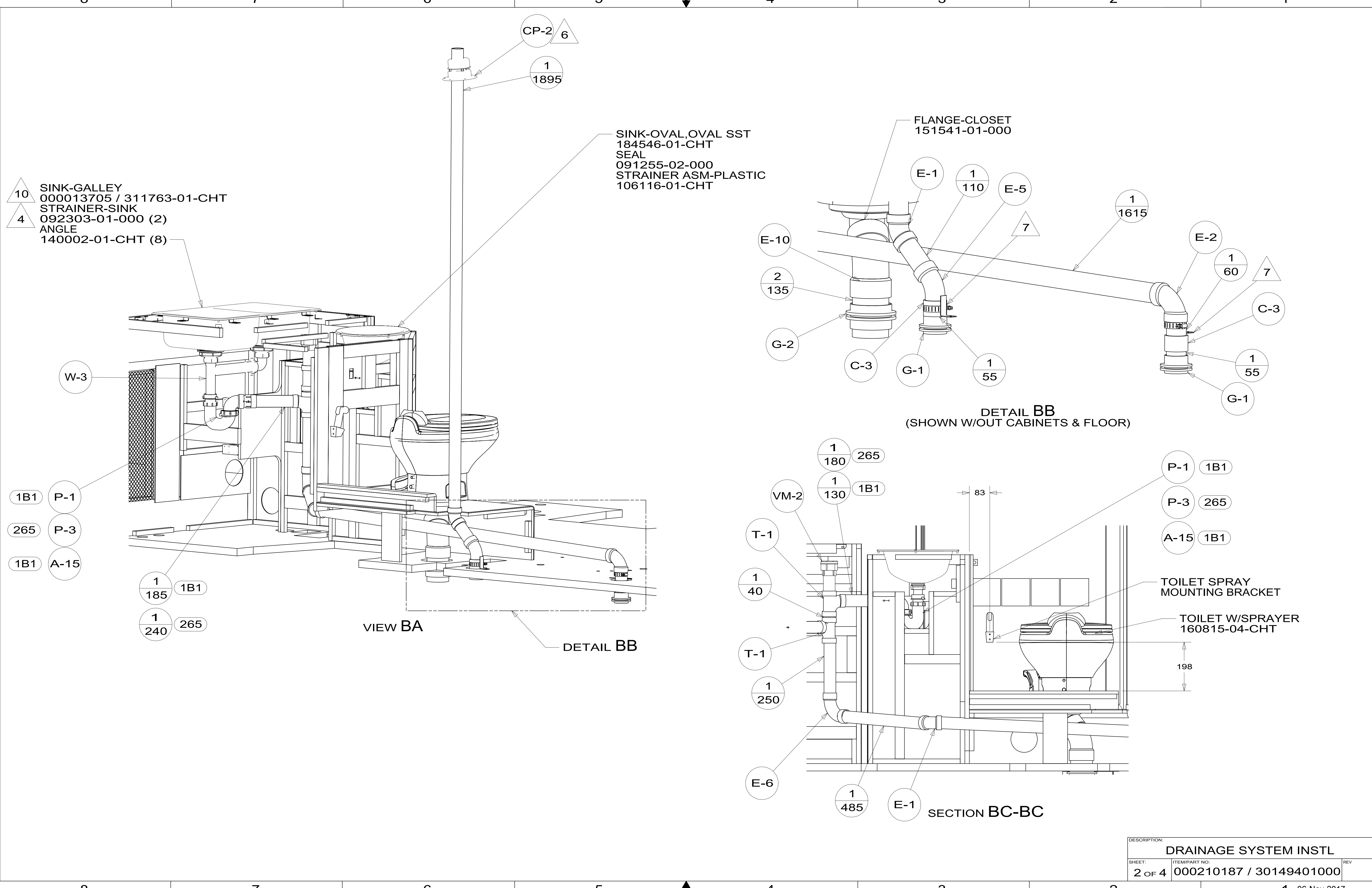
NOTES:

X-X

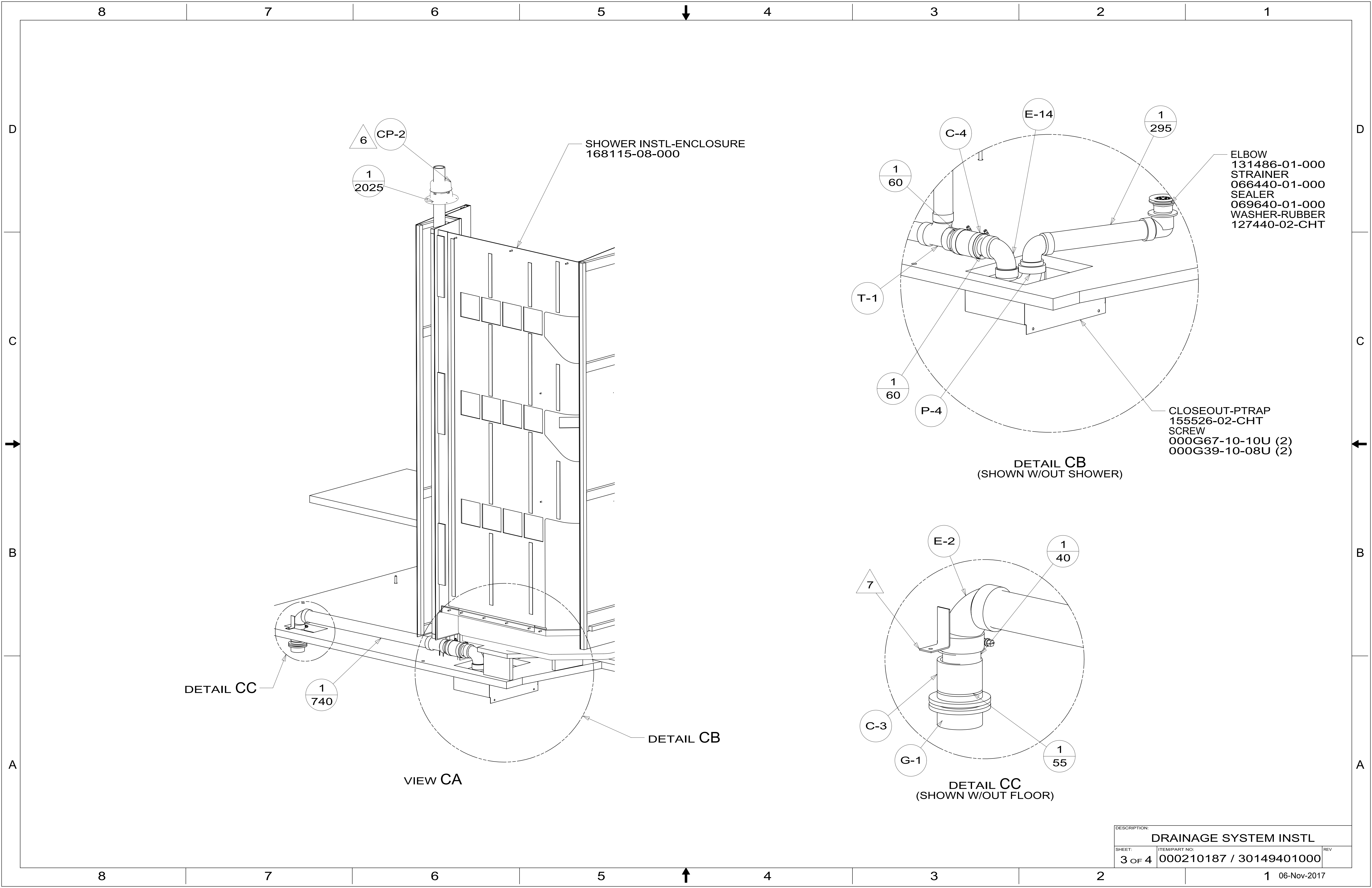
FOR
DRAINAGE
CALLOUTS
SEE DWG NO.
000211962 /
303370-01-000

WINNEBAGO
COPYRIGHT 2017 WINNEBAGO INDUSTRIES, INC.

DSNR:	ALL DIMENSIONS ARE IN MILLIMETERS	
DFTR:	MATERIAL:	
UNSPECIFIED TOLERANCES:		
WHOLE DIM (X) :	3	
ONE-PLACE (X.X) :	1.5	
TWO-PLACE (X.XX) :	0.50	
ANGLE :	1°	
REFER TO ES0018 FOR FASTENER TIGHTENING GUIDELINES	WEIGHT: (LBS)	FIRST USED: (REF)
		16 730J
DESCRIPTION: DRAINAGE SYSTEM INSTL		
SHEET: 1 OF 4	ITEM/PART NO: 000210187 / 30149401000	REV
REF:		1 06-Nov-2017



DESCRIPTION: DRAINAGE SYSTEM INSTL		
SHEET: 2 OF 4	ITEM/PART NO: 000210187 / 30149401000	REV



SHOWER INSTL-ENCLOSURE
168115-08-000

6 CP-2

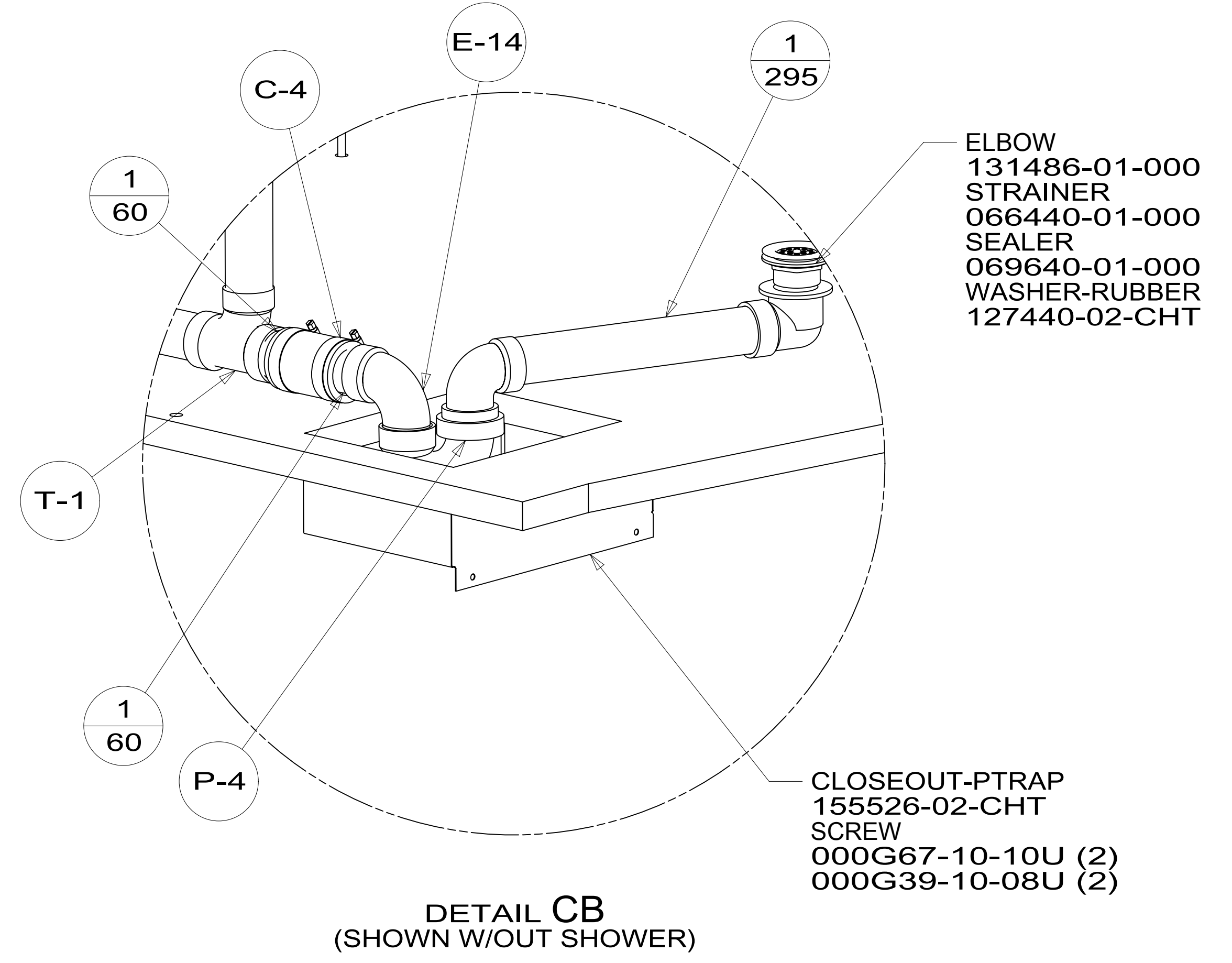
1/2025

DETAIL CC

1/740

DETAIL CB

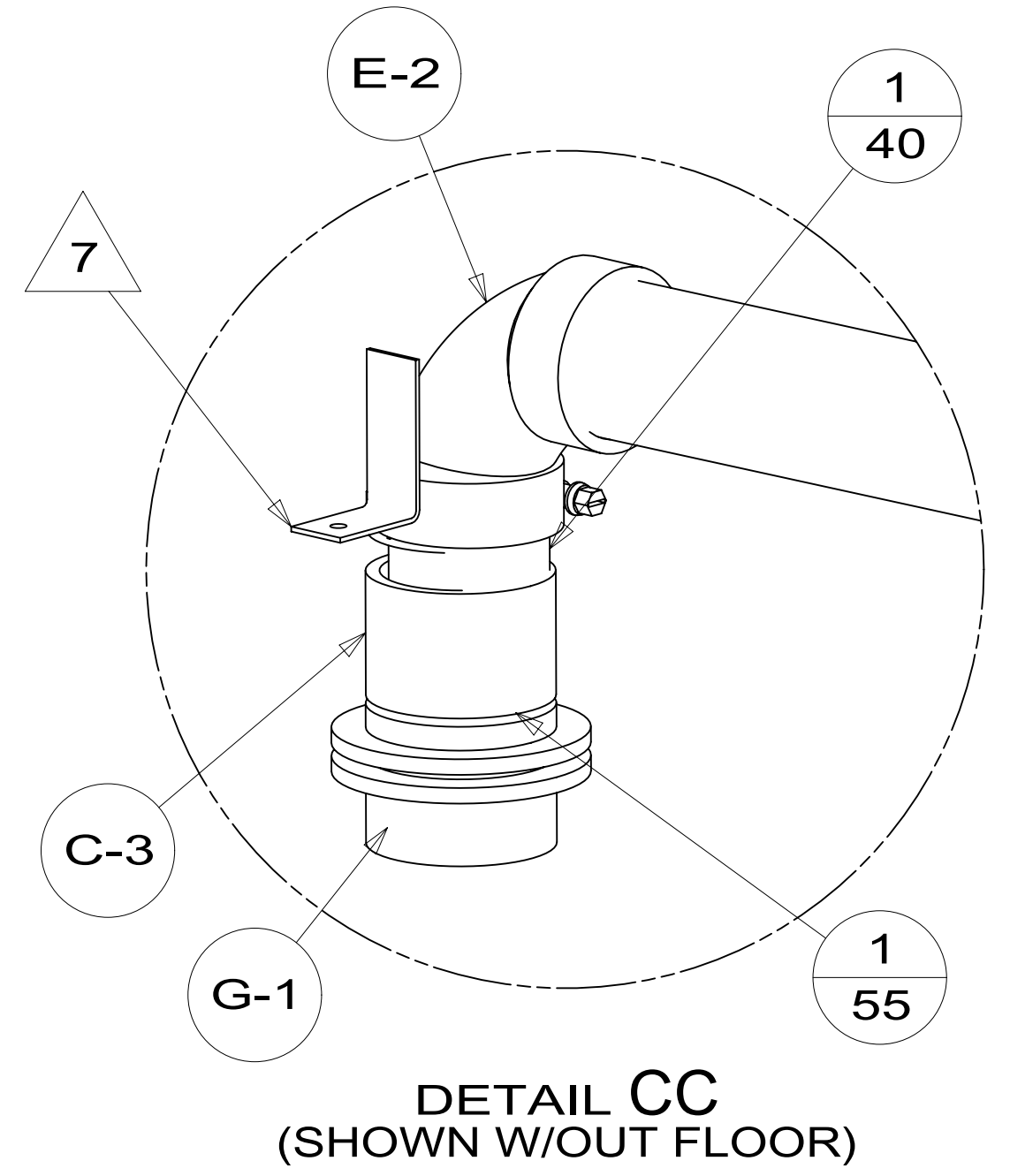
VIEW CA



ELBOW
131486-01-000
STRAINER
066440-01-000
SEALER
069640-01-000
WASHER-RUBBER
127440-02-CHT

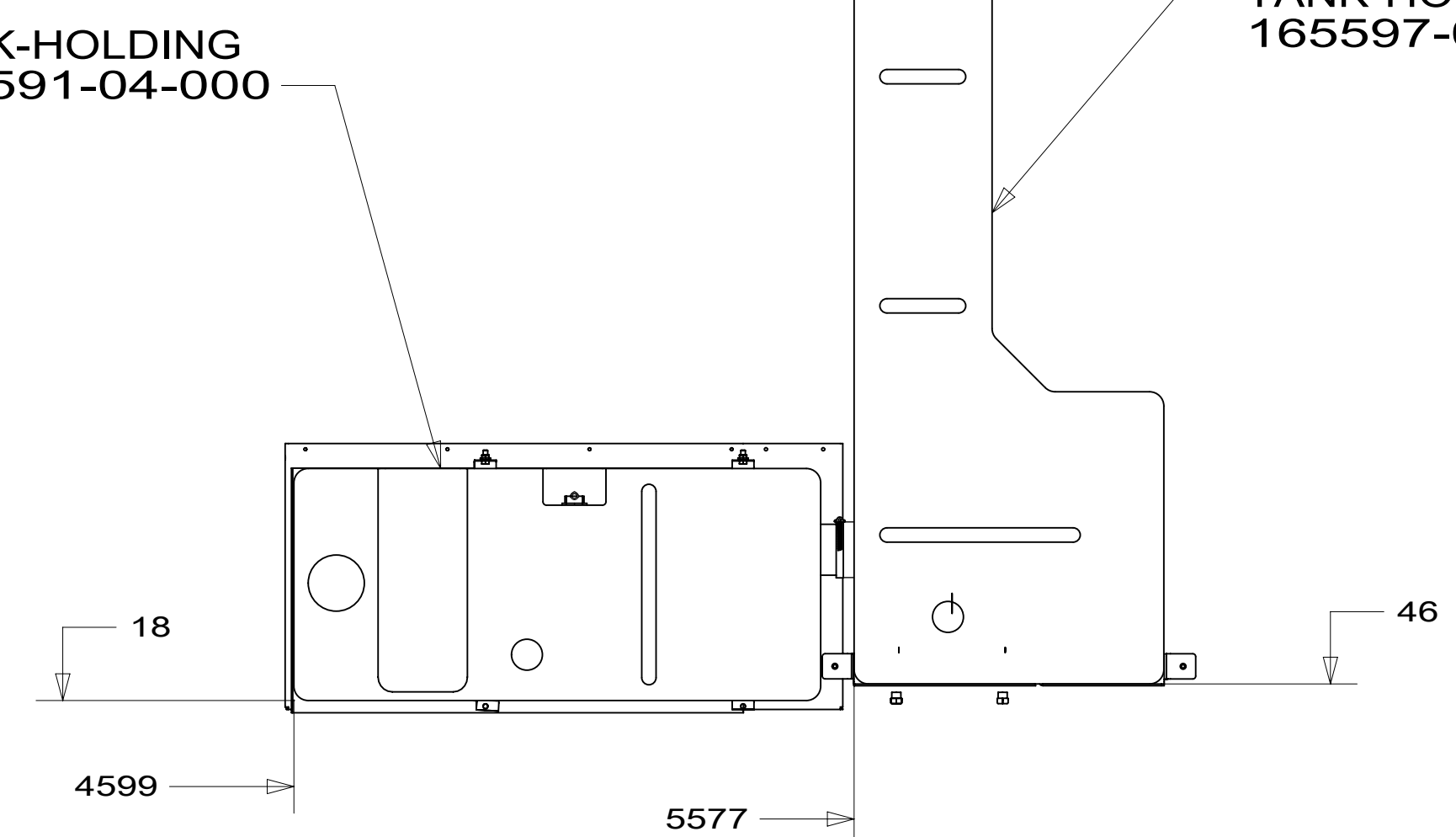
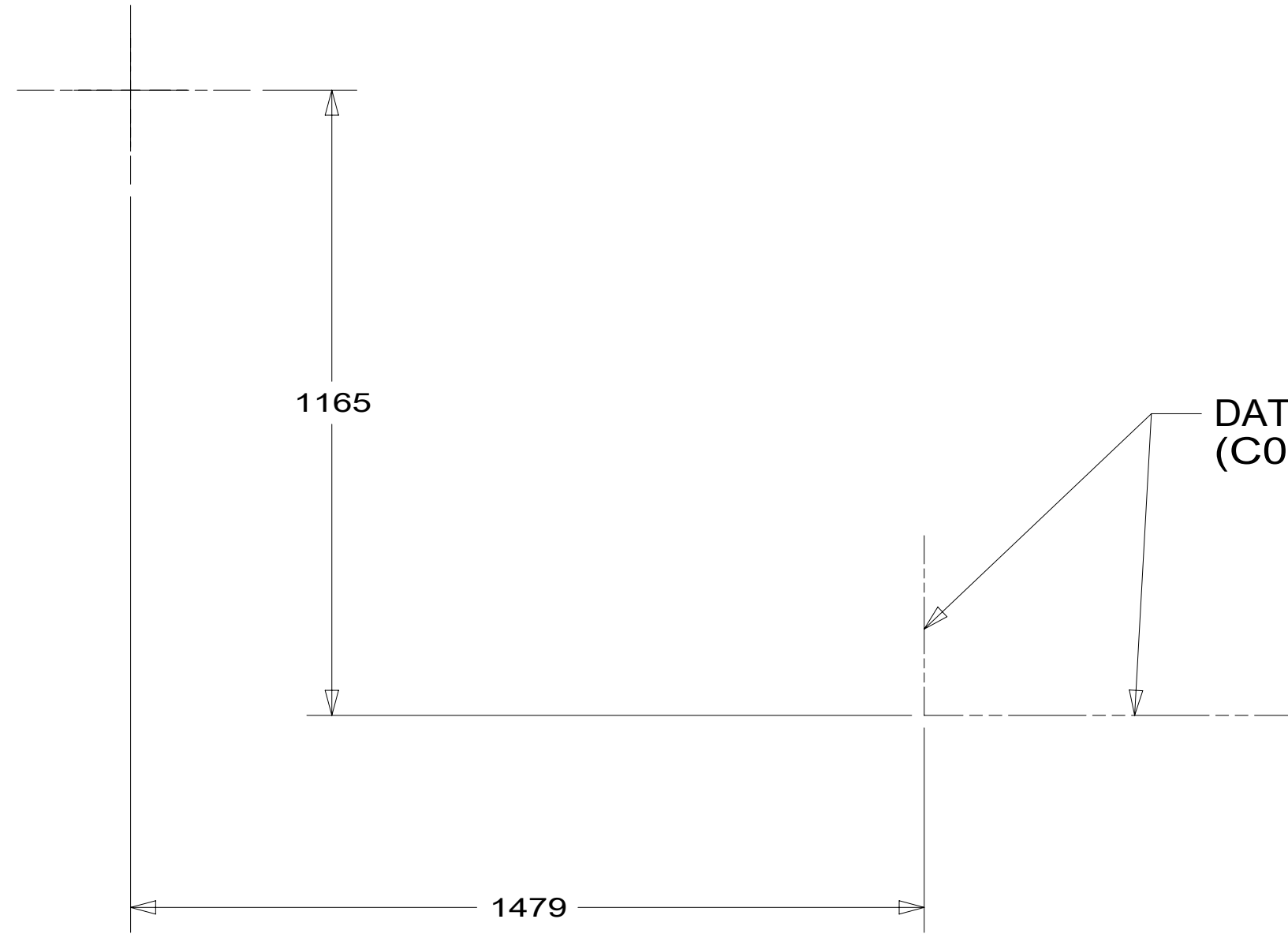
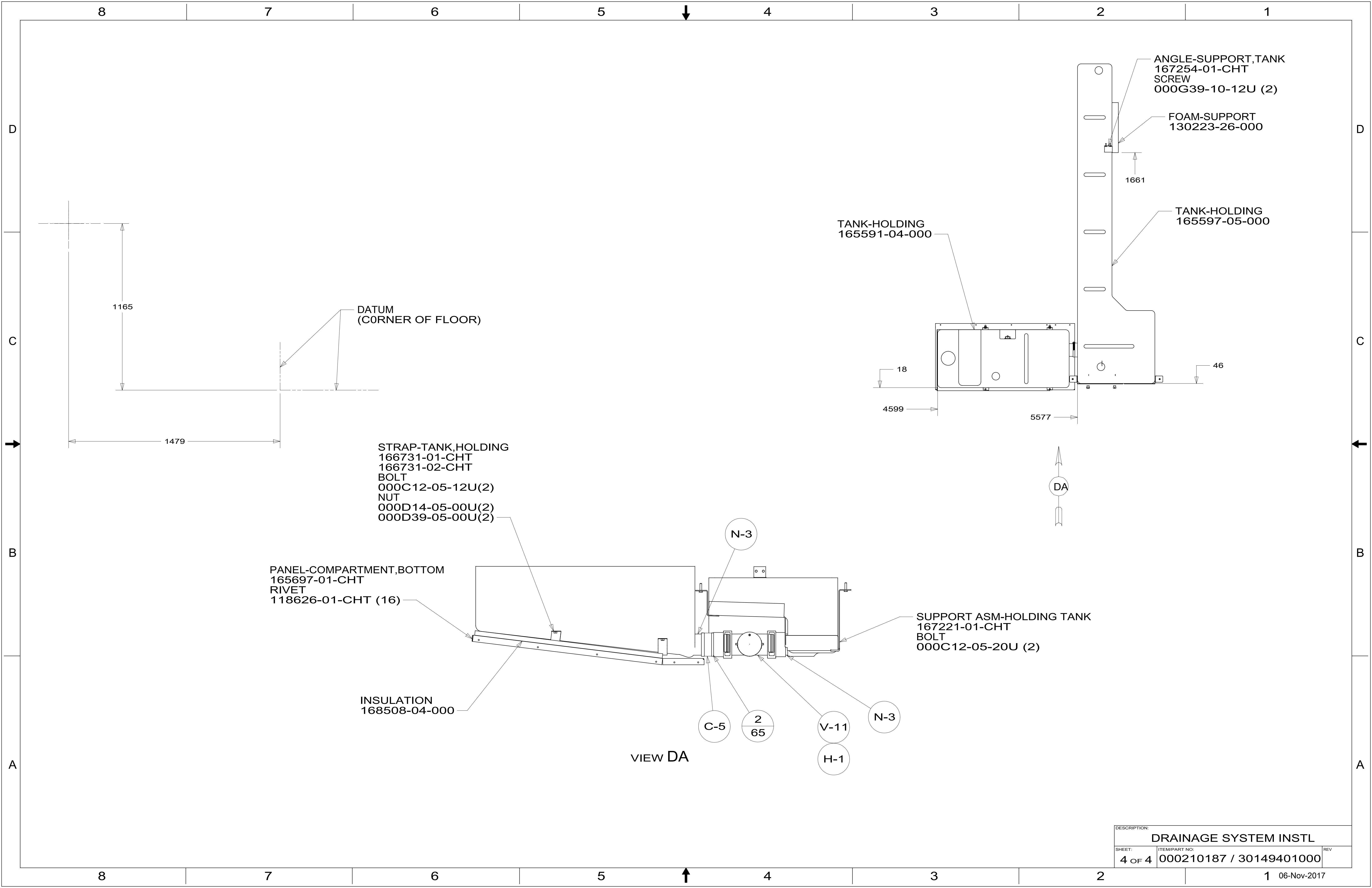
CLOSEOUT-PTRAP
155526-02-CHT
SCREW
000G67-10-10U (2)
000G39-10-08U (2)

DETAIL CB
(SHOWN W/O SHOWER)



DETAIL CC
(SHOWN W/O FLOOR)

DESCRIPTION: DRAINAGE SYSTEM INSTL		
SHEET: 3 OF 4	ITEM/PART NO: 000210187 / 30149401000	REV



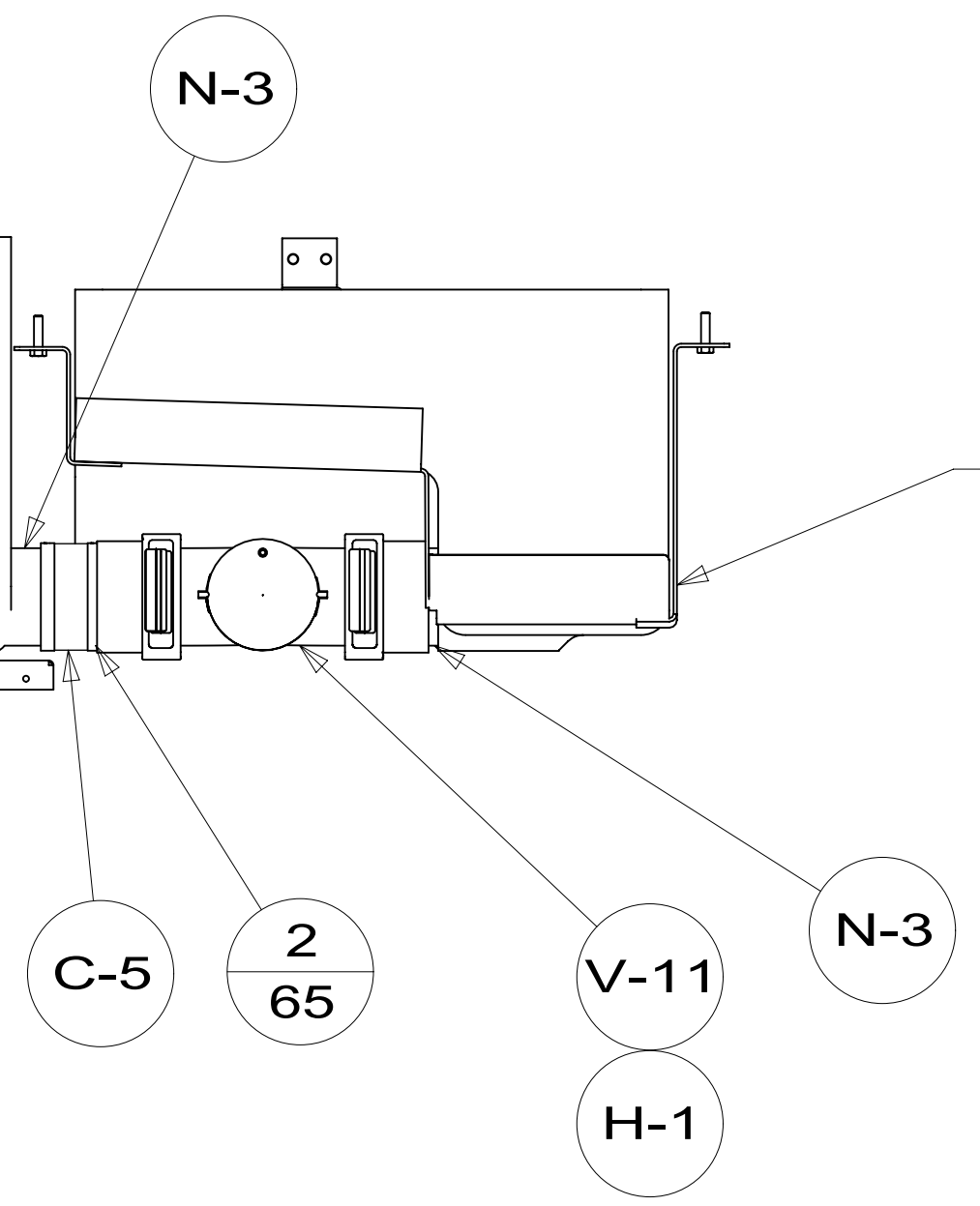
STRAP-TANK,HOLDING
 166731-01-CHT
 166731-02-CHT
 BOLT
 000C12-05-12U(2)
 NUT
 000D14-05-00U(2)
 000D39-05-00U(2)

PANEL-COMPARTMENT,BOTTOM
 165697-01-CHT
 RIVET
 118626-01-CHT (16)

INSULATION
 168508-04-000

SUPPORT ASM-HOLDING TANK
 167221-01-CHT
 BOLT
 000C12-05-20U (2)

VIEW DA



ANGLE-SUPPORT,TANK
 167254-01-CHT
 SCREW
 000G39-10-12U (2)

FOAM-SUPPORT
 130223-26-000

TANK-HOLDING
 165597-05-000

DA

DESCRIPTION: DRAINAGE SYSTEM INSTL		
SHEET: 4 OF 4	ITEM/PART NO: 000210187 / 30149401000	REV