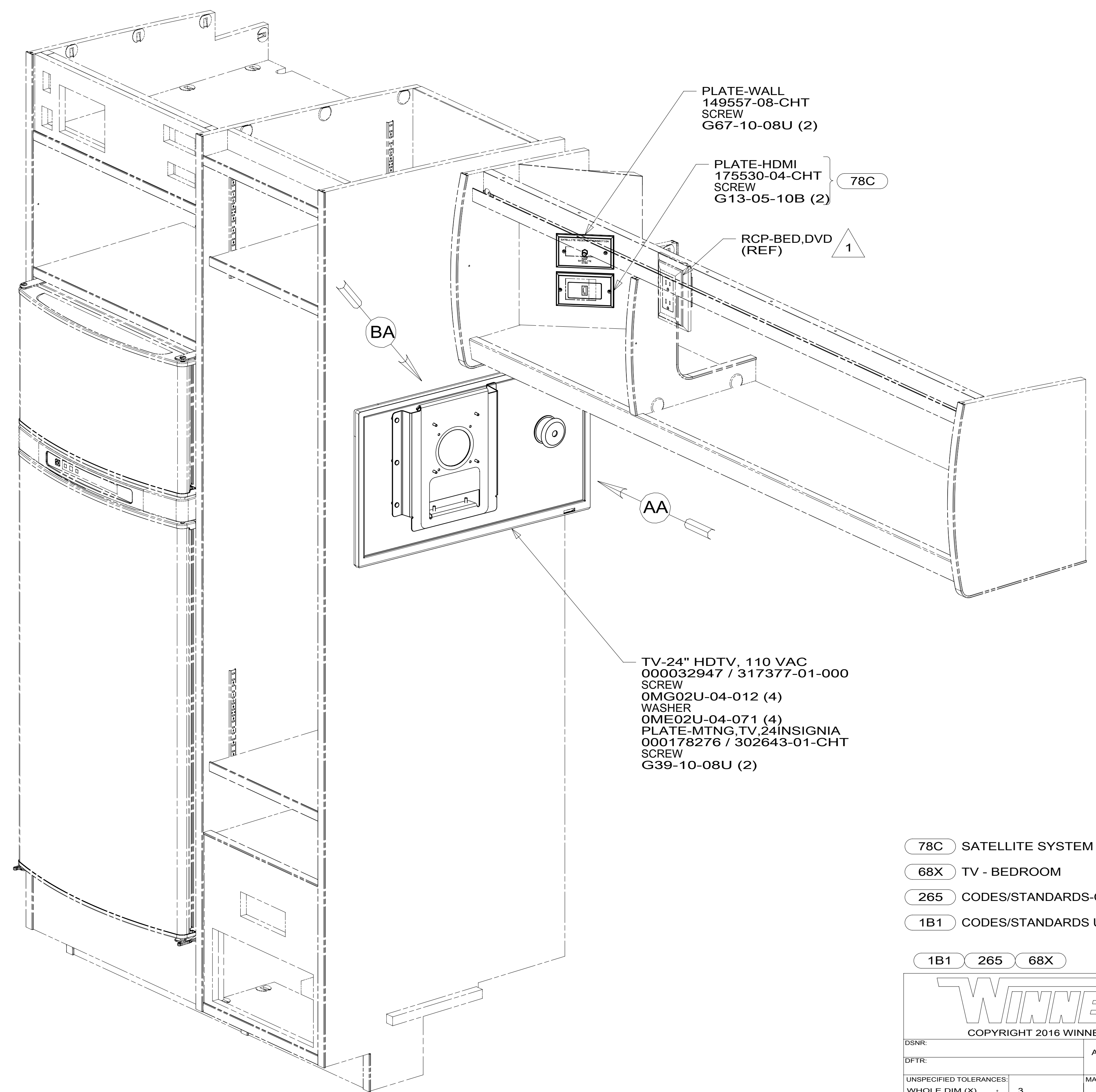
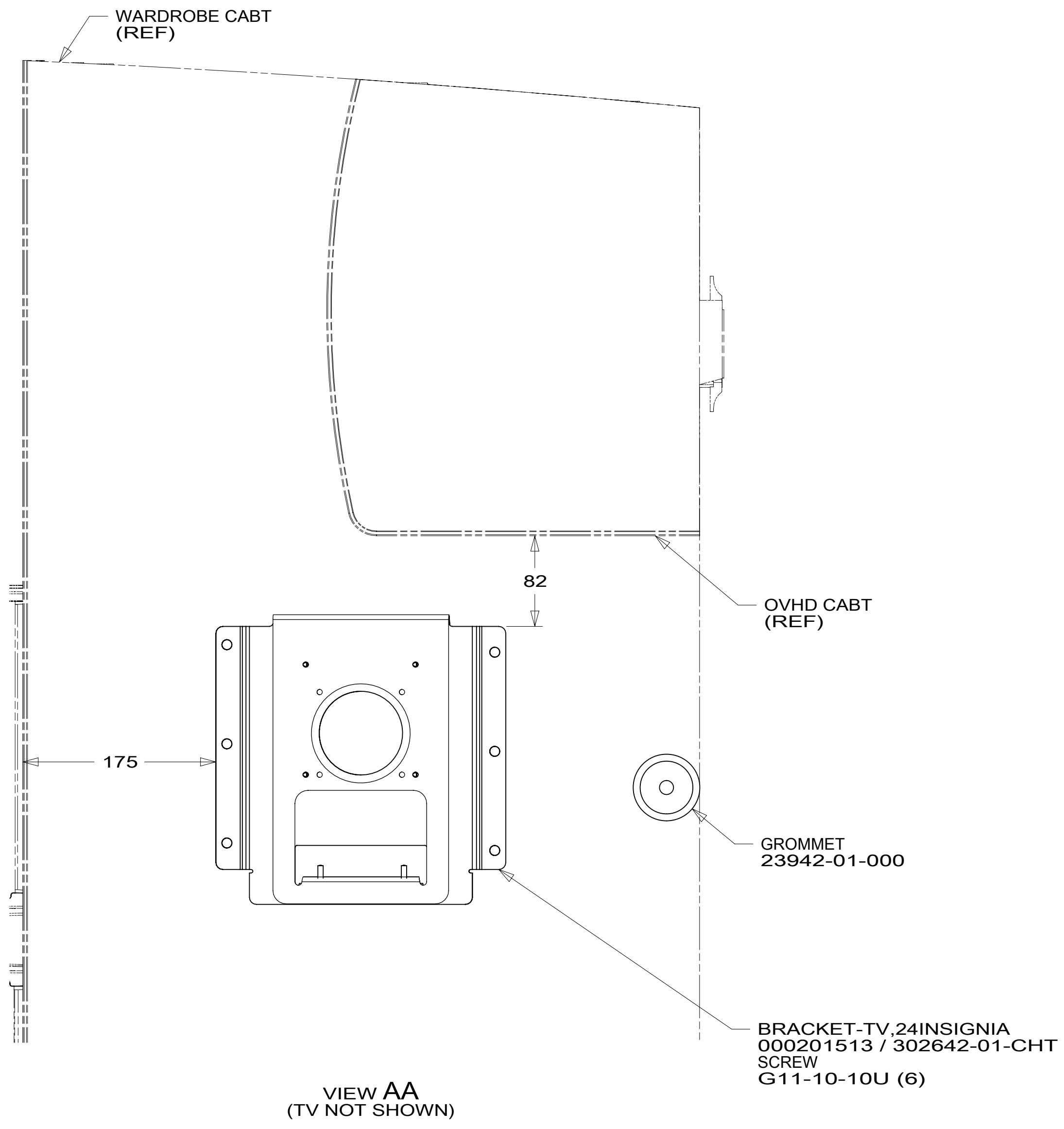


8 7 6 5 4 3 2 1

D  
C  
B  
A



- 78C SATELLITE SYSTEM READY
- 68X TV - BEDROOM
- 265 CODES/STANDARDS-CSA/CMVSS
- 1B1 CODES/STANDARDS USA

**WINNEBAGO**  
COPYRIGHT 2016 WINNEBAGO INDUSTRIES, INC.

DSNR:	ALL DIMENSIONS ARE IN MILLIMETERS	
DFFR:	MATERIAL:	
UNSPECIFIED TOLERANCES:	WEIGHT: (LBS)	FIRST USED:
WHOLE DIM (X) : 3		16 H25T
ONE-PLACE (X.X) : 1.5		
TWO-PLACE (X.XX) : 0.50		
ANGLE : 1°		
REFER TO ES0018 FOR FASTENER TIGHTENING GUIDELINES		
DESCRIPTION: <b>WIRING INSTL-TV/DVD</b>		
SHEET: 1 OF 4	ITEM/PART NO: 000210160 / 30131701000	REV:
REF:		1 14-Oct-2016

FOR ELECTRICAL TORQUE SPECIFICATIONS SEE DWG NO. 128783-01-000

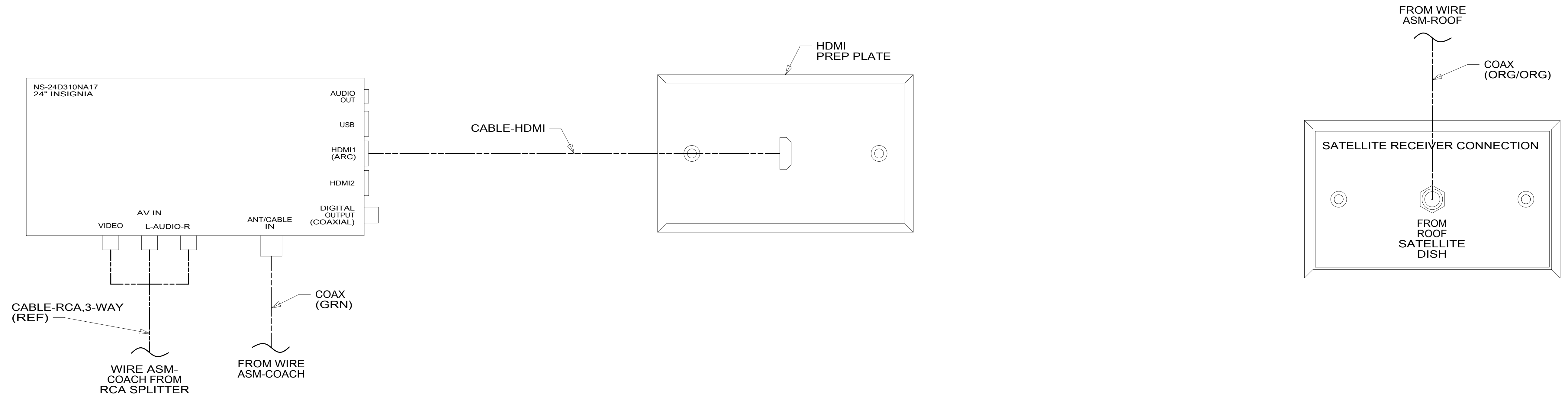
FOR ELECTRICAL CALLOUTS SEE DWG NO. 121339-01-000

NOTES:  
1 SEE WIRING INSTL-BODY,110V FOR ADDITIONAL INFORMATION.

8 7 6 5 4 3 2 1

8 7 6 5 4 3 2 1

D  
C  
B  
A



DETAIL BA

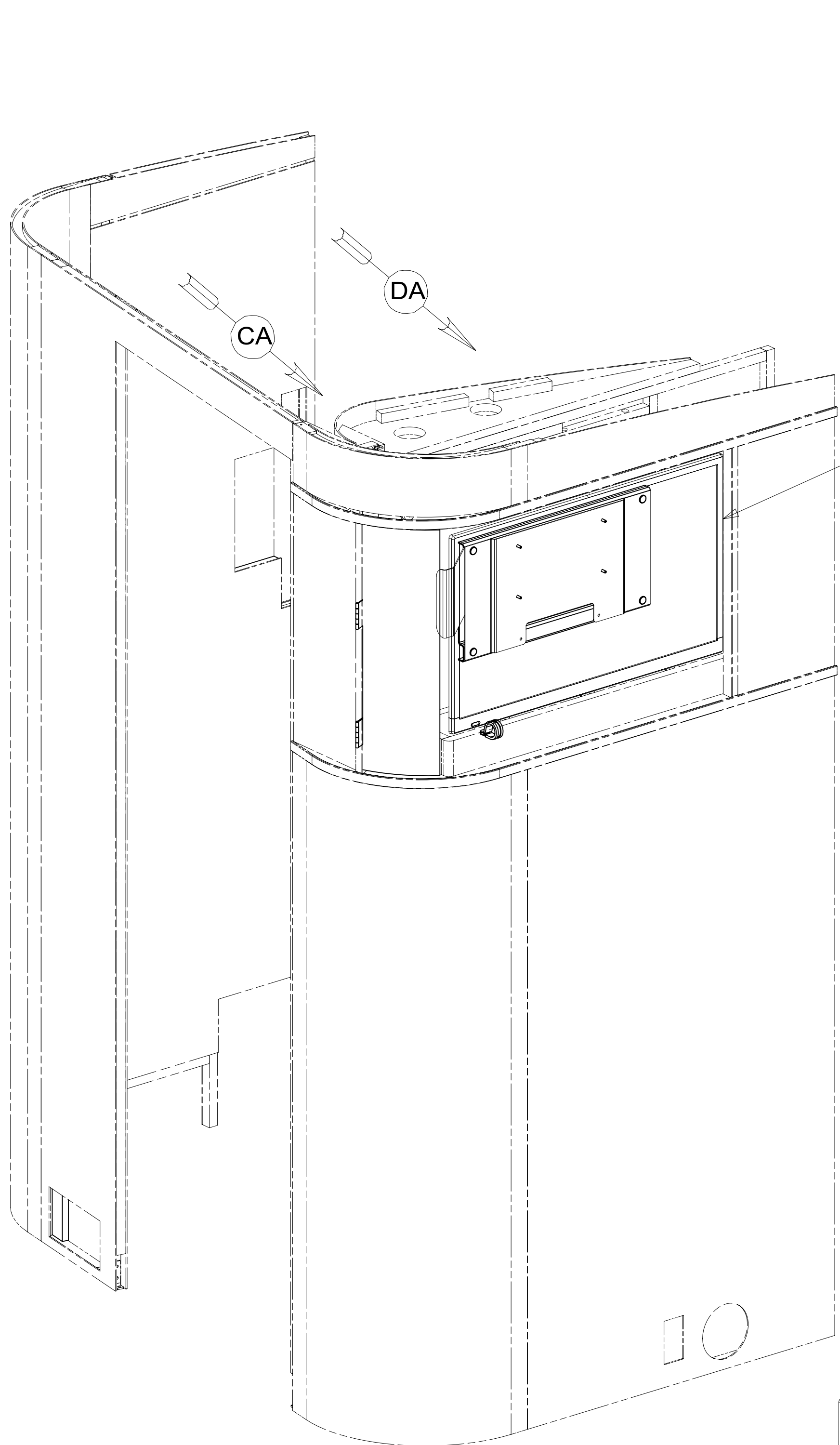
- 68X TV - BEDROOM
- 265 CODES/STANDARDS-CSA/CMVSS
- 1B1 CODES/STANDARDS USA

FOR ELECTRICAL TORQUE SPECIFICATIONS SEE DWG NO. 128783-01-000

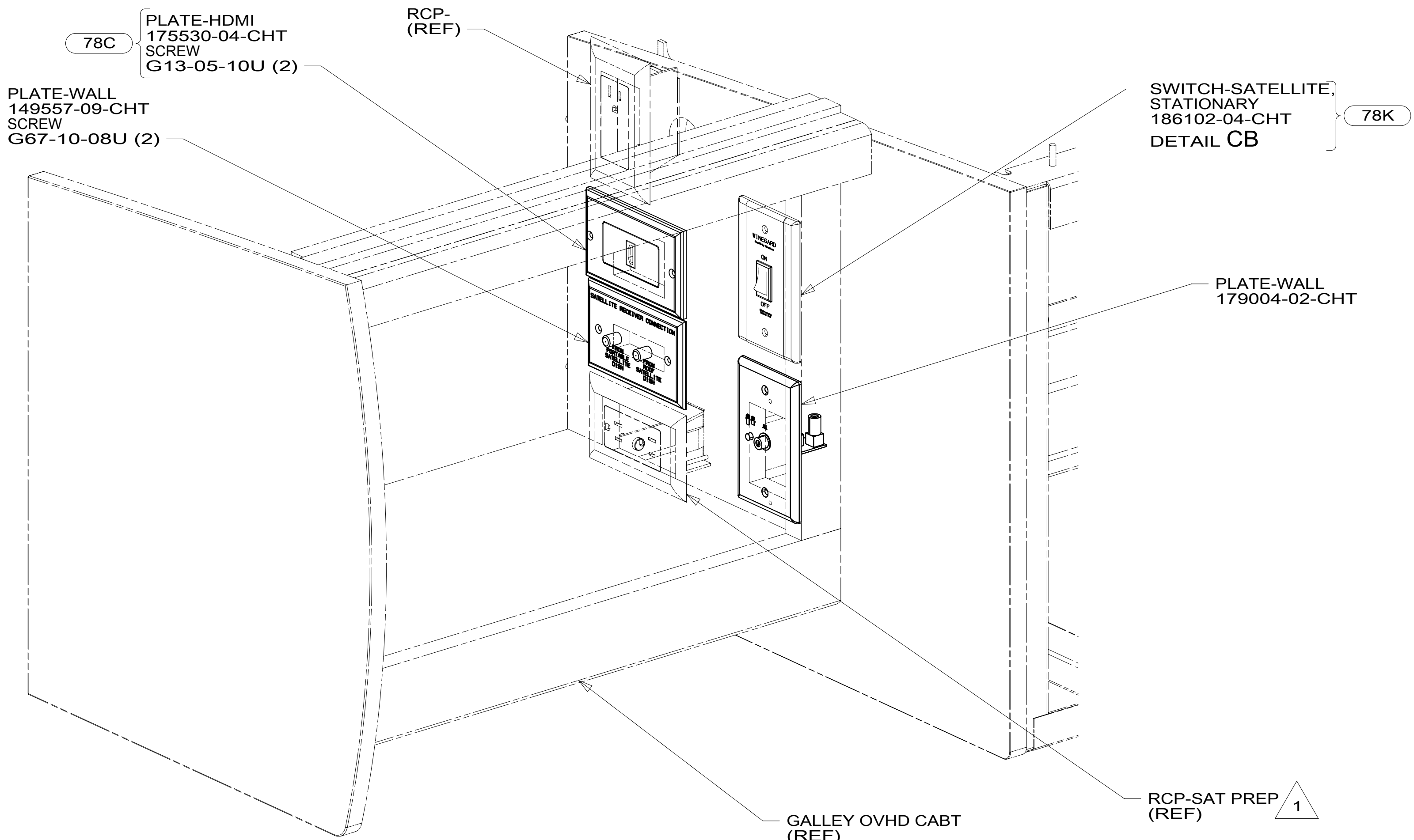
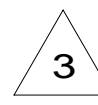
FOR ELECTRICAL CALLOUTS SEE DWG NO. 121339-01-000

DESCRIPTION:		
1B1 265 68X		
WIRING INSTL-TV/DVD		
SHEET:	ITEM/PART NO.:	REV
2 OF 4	000210160 / 30131701000	

8 7 6 5 4 3 2 1 14-Oct-2016



TV-28" FLAT  
 PANEL LED,HDTV  
 195082-01-000  
 BRACKET ASM-TV  
 177831-01-XXX  
 BRACKET-TV MITG  
 302947-01-CHT  
 SCREW  
 OMG02U-04-012 (4)  
 NUT  
 D39-04-00U (4)  
 WASHER  
 OME024-04-071 (4)



78C PLATE-HDMI  
 175530-04-CHT  
 SCREW  
 G13-05-10U (2)

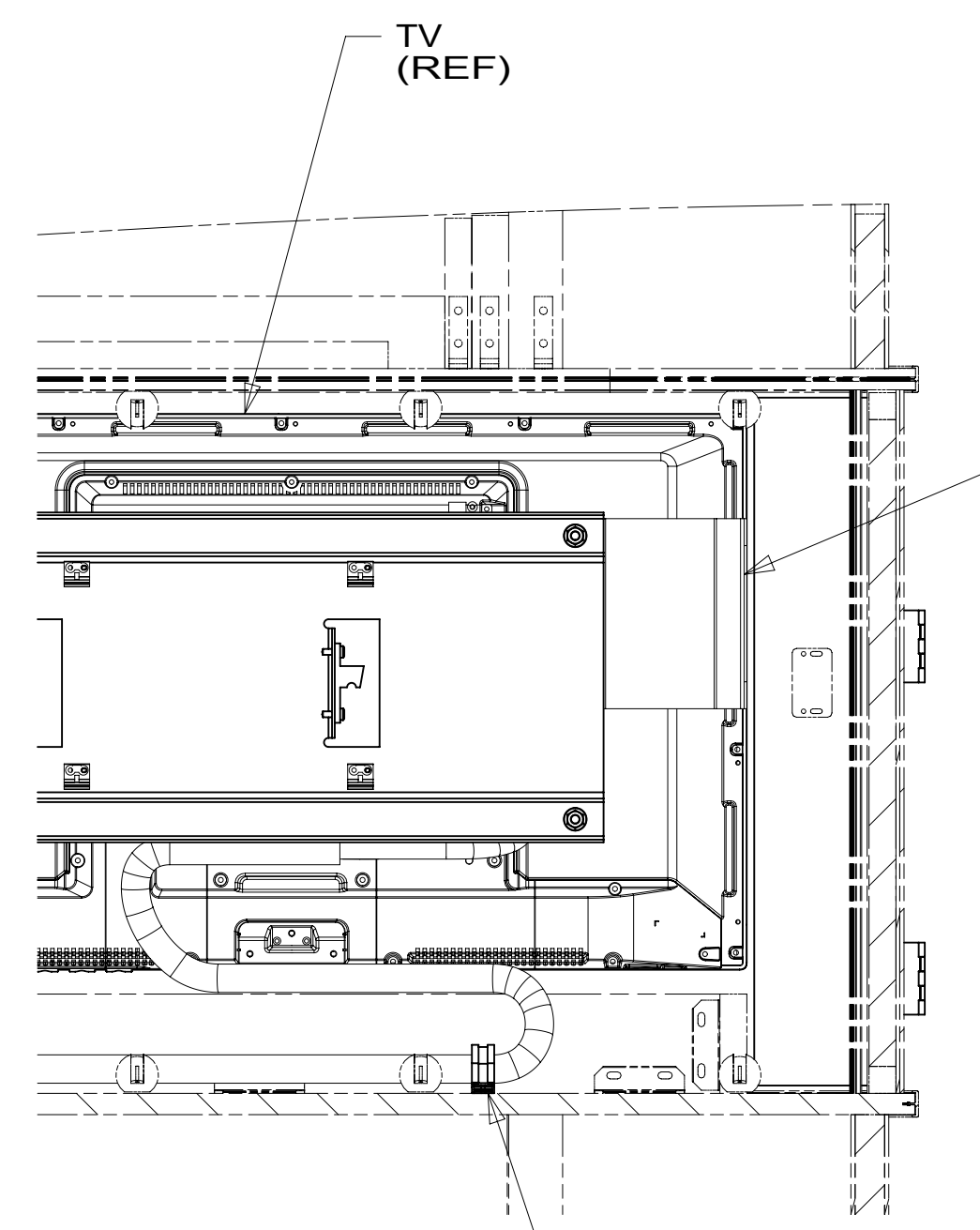
RCP-  
 (REF)

SWITCH-SATELLITE,  
 STATIONARY  
 186102-04-CHT  
 DETAIL CB 78K

PLATE-WALL  
 179004-02-CHT

GALLEY OVHD CABT  
 (REF)

RCP-SAT PREP  
 (REF) 1



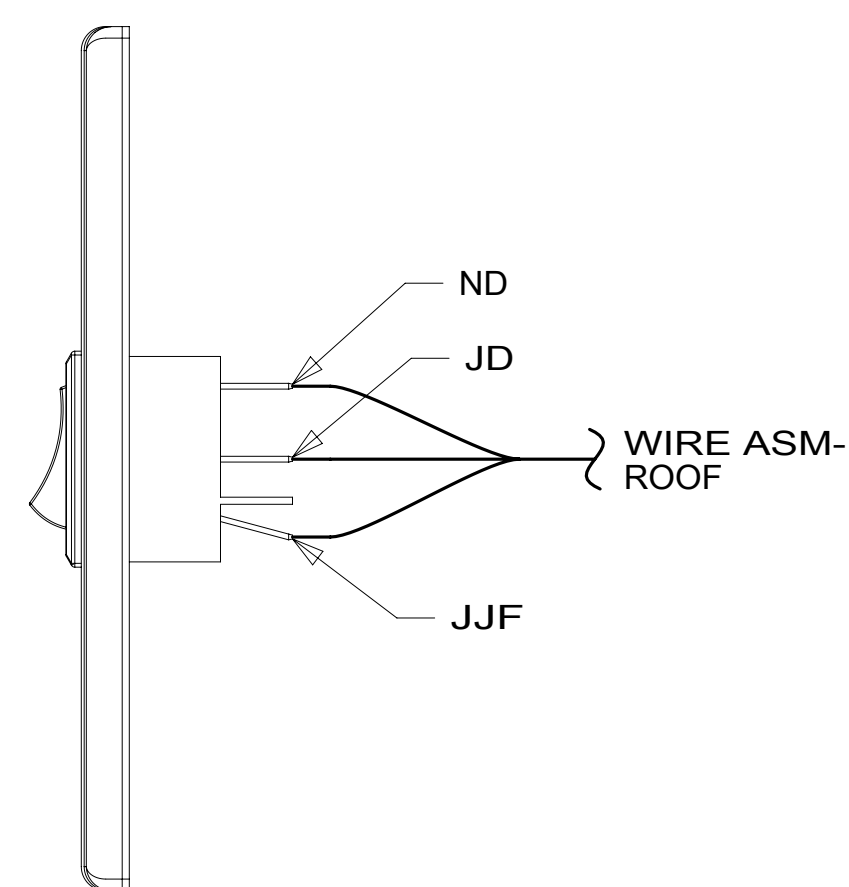
VIEW CA

TIE-WIRE  
 8343-02-000  
 (TO HOLE IN  
 BRACKET)

CLAMP  
 10497-03-000 (2)  
 SCREW  
 G-11-08-12U (2)

SWITCH-  
 SATELLITE  
 (REF)

SCREW  
 G12-06-12U (2)



DETAIL CB 78K

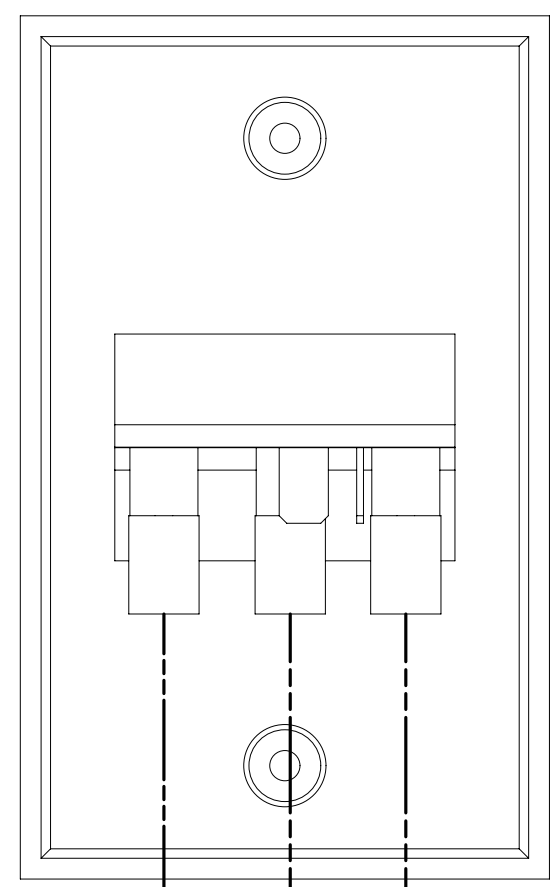
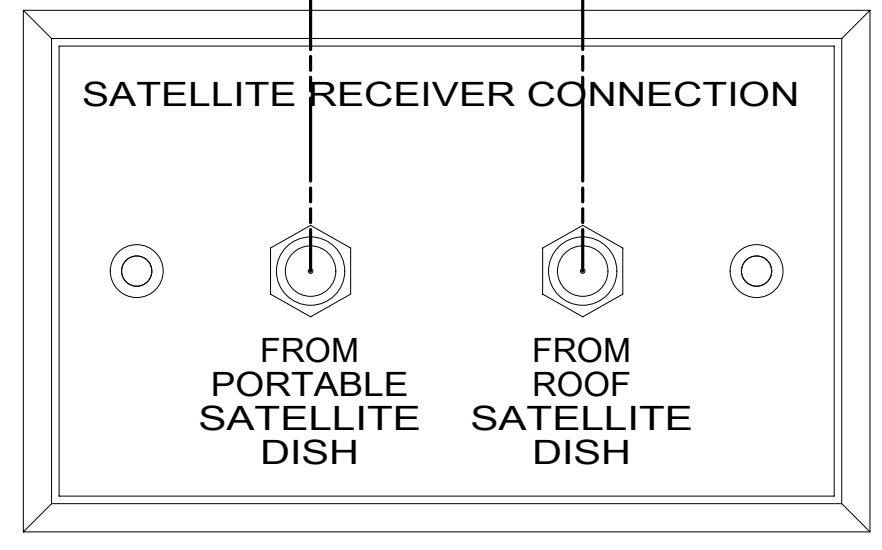
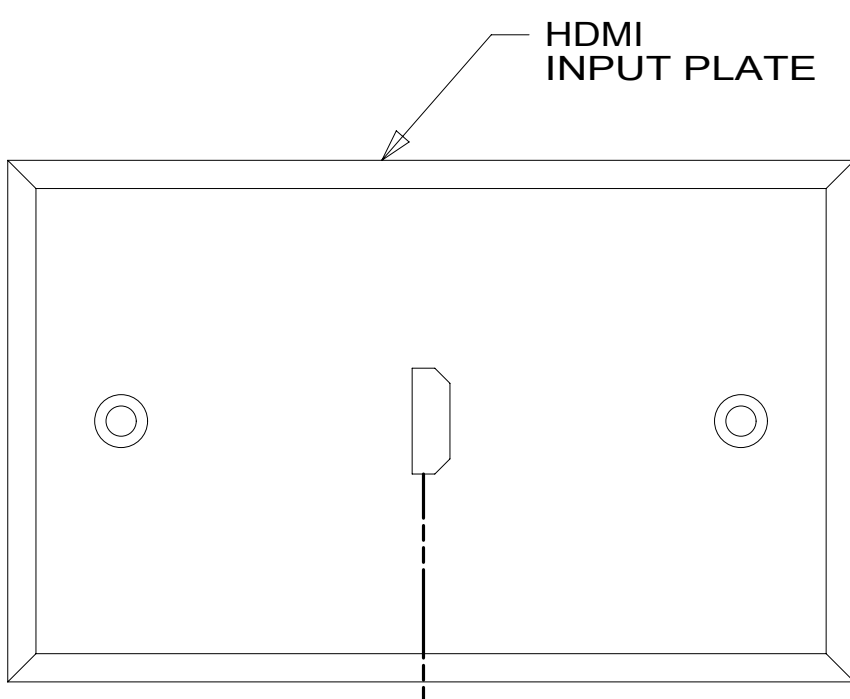
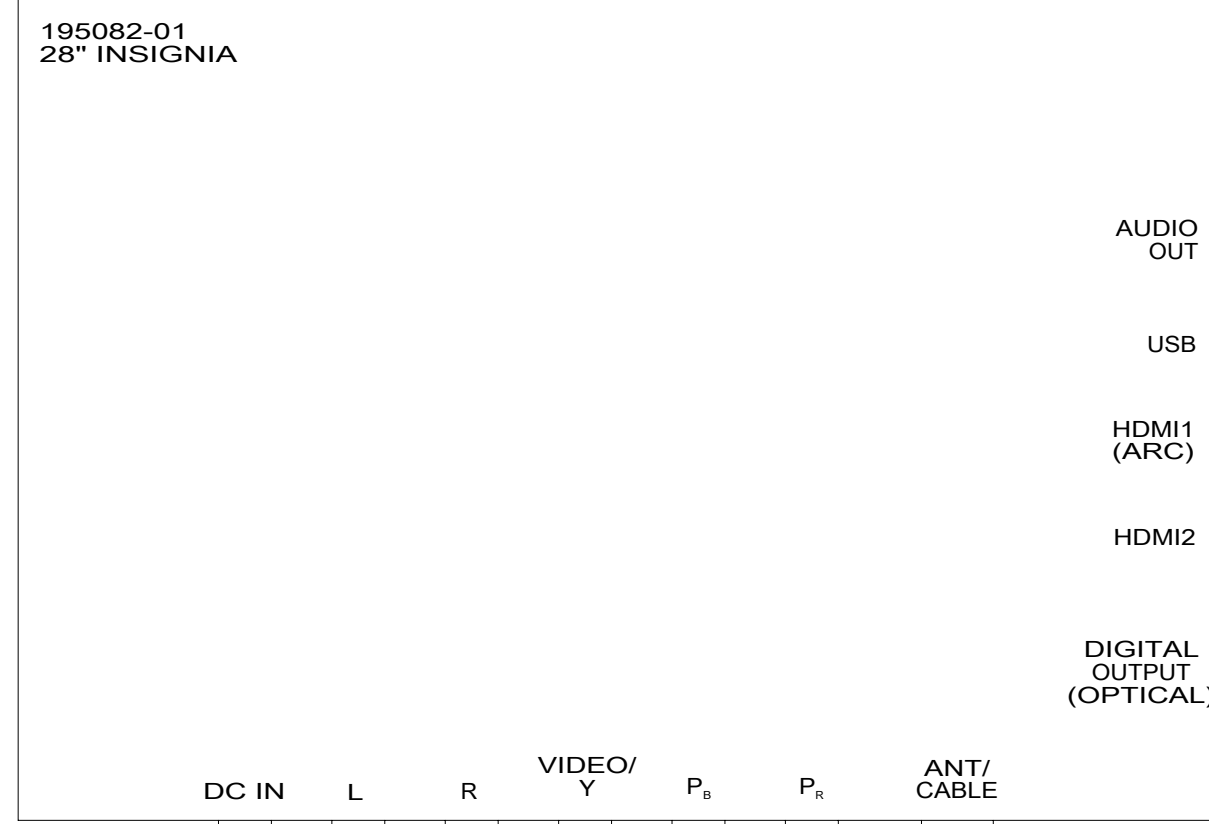
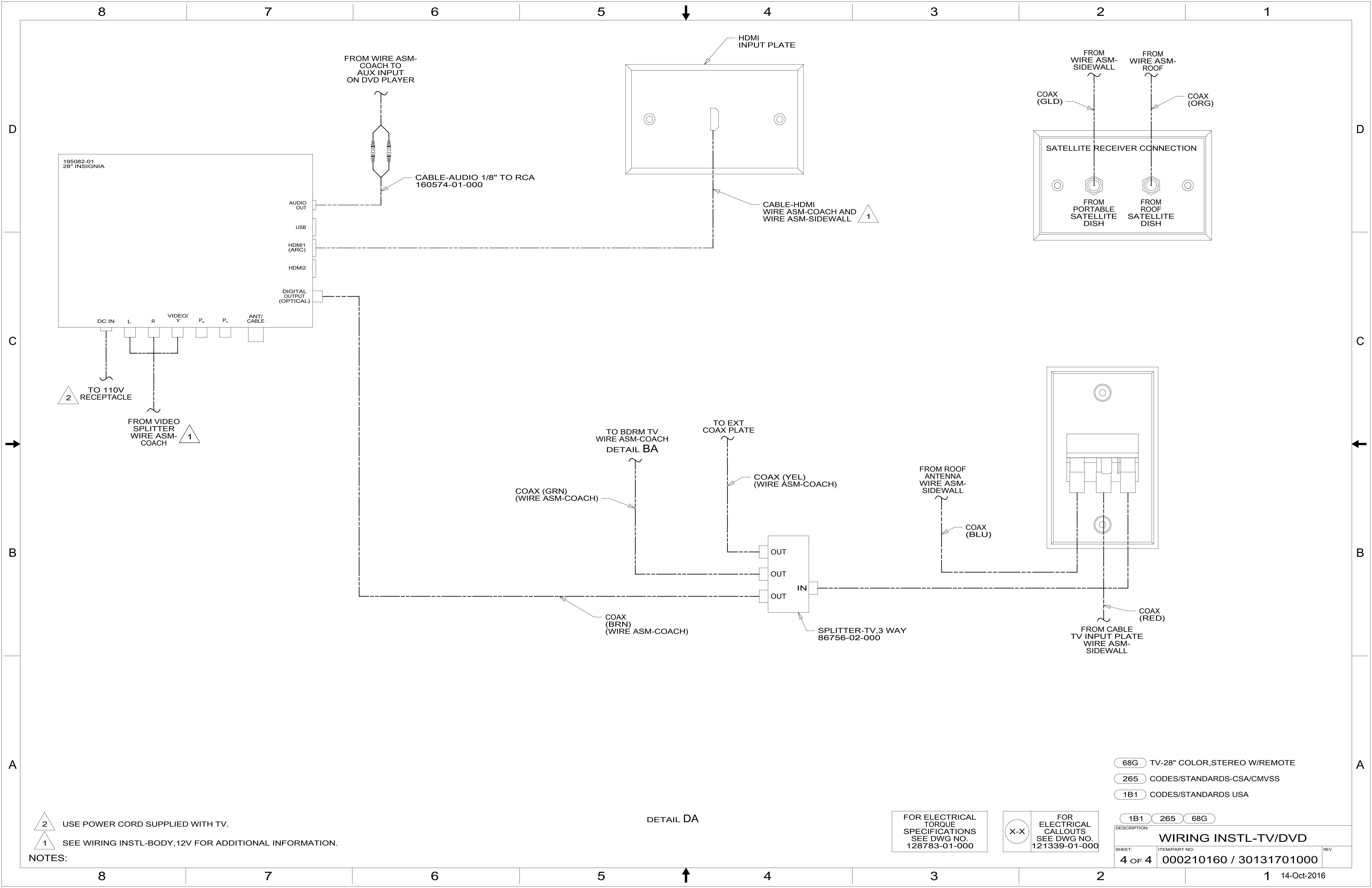
- NOTES:
- 3 USE POWER CORD SUPPLIED WITH TV.
  - 2 DIMENSION BETWEEN THE SHELF AND THE BOTTOM OF THE TV.
  - 1 SEE WIRING INSTL-BODY,110V FOR ADDITIONAL INFORMATION.

FOR ELECTRICAL  
 TORQUE  
 SPECIFICATIONS  
 SEE DWG NO.  
 128783-01-000

FOR ELECTRICAL  
 CALLOUTS  
 SEE DWG NO.  
 121339-01-000

- 78C SATELLITE SYSTEM READY
- 78K SATELLITE TV SYSTEM AUTO
- 68G TV-28" COLOR,STEREO W/REMOTE
- 265 CODES/STANDARDS-CSA/CMVSS
- 1B1 CODES/STANDARDS USA

DESCRIPTION:		1B1 265 68G	
<b>WIRING INSTL-TV/DVD</b>			
SHEET:	ITEM/PART NO.:	REV	
3 OF 4	000210160 / 30131701000		



2 TO 110V RECEPTACLE

1 FROM VIDEO SPLITTER WIRE ASM-COACH

TO BDRM TV WIRE ASM-COACH DETAIL BA

TO EXT COAX PLATE

FROM ROOF ANTENNA WIRE ASM-SIDEWALL

FROM CABLE TV INPUT PLATE WIRE ASM-SIDEWALL

- NOTES:
- 2 USE POWER CORD SUPPLIED WITH TV.
  - 1 SEE WIRING INSTL-BODY, 12V FOR ADDITIONAL INFORMATION.

DETAIL DA

FOR ELECTRICAL TORQUE SPECIFICATIONS SEE DWG NO. 128783-01-000

FOR ELECTRICAL CALLOUTS SEE DWG NO. 121339-01-000

- 68G TV-28" COLOR, STEREO W/REMOTE
- 265 CODES/STANDARDS-CSA/CMVSS
- 1B1 CODES/STANDARDS USA

DESCRIPTION:	1B1 265 68G	
<b>WIRING INSTL-TV/DVD</b>		
SHEET:	ITEM/PART NO.:	REV
4 OF 4	000210160 / 30131701000	