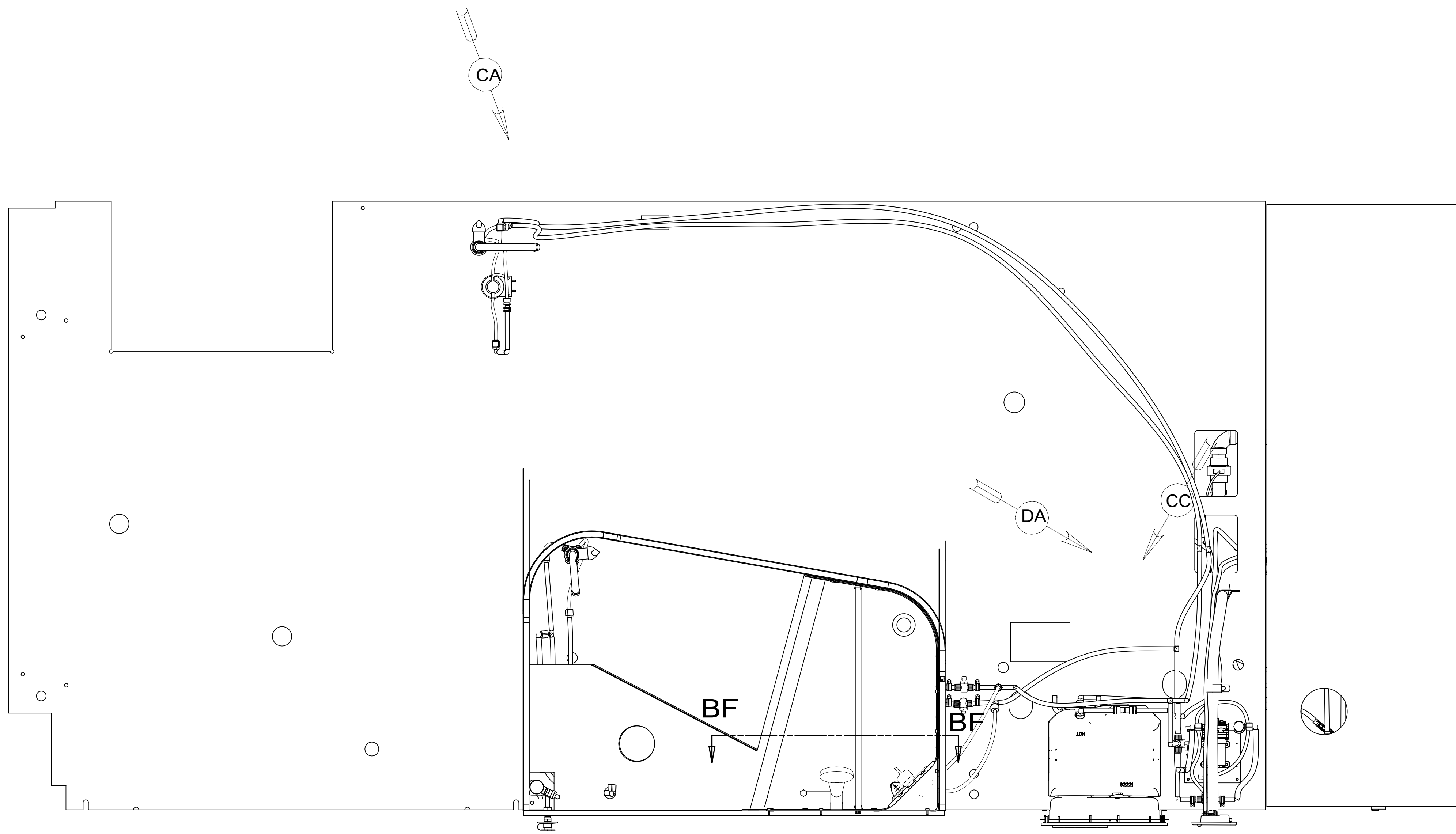


REV	ZONE	REVISION RECORD	DATE	DFTR-ORIG
A	---	INITIAL RELEASE	11/04/15	3660
B	SHT2	ADDED PANEL-SHOWER AND NEW BRACKET	11/09/15	3650-6437
C	SHT2	TU9/2060 WAS 1880, TU8/975 WAS 775	04/22/16	3650-5472



- NOTES:
1. PLASTIC FITTINGS TO BE SEALED WITH SEALANT 084456-01-000.
 2. TUBING TO BE INSTALLED WITH SUFFICIENT SLOPE TO PROVIDE DRAINAGE TO NEAREST VALVE.
 3. ALL TUBING TO BE SECURED AT 1200 INTERVALS MAXIMUM WITH CLAMP 010495-01-000 AND SCREW 000G67-10-12U OR EQUIVALENT.
 4. ADD TEFLON TAPE 010405-02-000.
 5. ADD PIPE WRAP (LADDER SCRAP 110157-02-000) INSULATION.
 6. LABEL HOT AND COLD SUPPLY TUBES AND TAPE FITTING TO TUBE BEFORE CABINET SET TO PREVENT MOVEMENT.
 7. ALL CRIMP FITTINGS TO 5/8" PEX TUBING REQUIRE 5/8" CLAMP 140171-04-000.
 8. ALL CRIMP FITTINGS TO 1/2" PEX TUBING REQUIRE 1/2" CLAMP 140171-03-000.
 9. INSTALL CONNECTOR WITH TAPERED END AWAY FROM FAUCET.
 10. INSTALL BETWEEN MOUNTING PLATE AND RETAINING NUTS.

X-X

FOR
WATER
CALLOUTS
SEE DWG NO.
116230-01-000

WINNEBAGO[®]
COPYRIGHT 2016 WINNEBAGO INDUSTRIES, INC.

DSNR:	ALL DIMENSIONS ARE IN MILLIMETERS	
DFTR:	MATERIAL:	
UNSPECIFIED TOLERANCES:	WHOLE DIM (X) :	3
	ONE-PLACE (X.X) :	1.5
	TWO-PLACE (X.XX) :	0.50
	ANGLE :	1°
REFER TO ES0018 FOR FASTENER TIGHTENING GUIDELINES	WEIGHT: (LBS)	FIRST USED: (REF)
		16 H25T
DESCRIPTION: WATER SYSTEM INSTL		
SHEET: 1 OF 4	ITEM/PART NO: 000210157 / 30124101000	REV:
REF:		1 19-Sep-2016

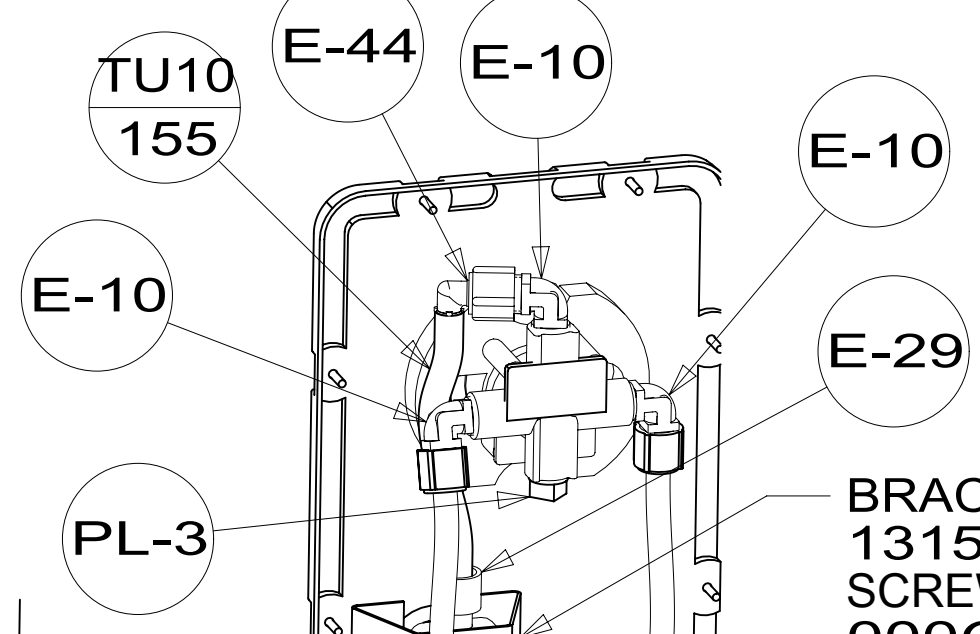
*301241 *A

8 7 6 5 4 3 2 1

FAUCET-LAVATORY
171481-01-CHT
WASHER
000E13-13-00U(2)

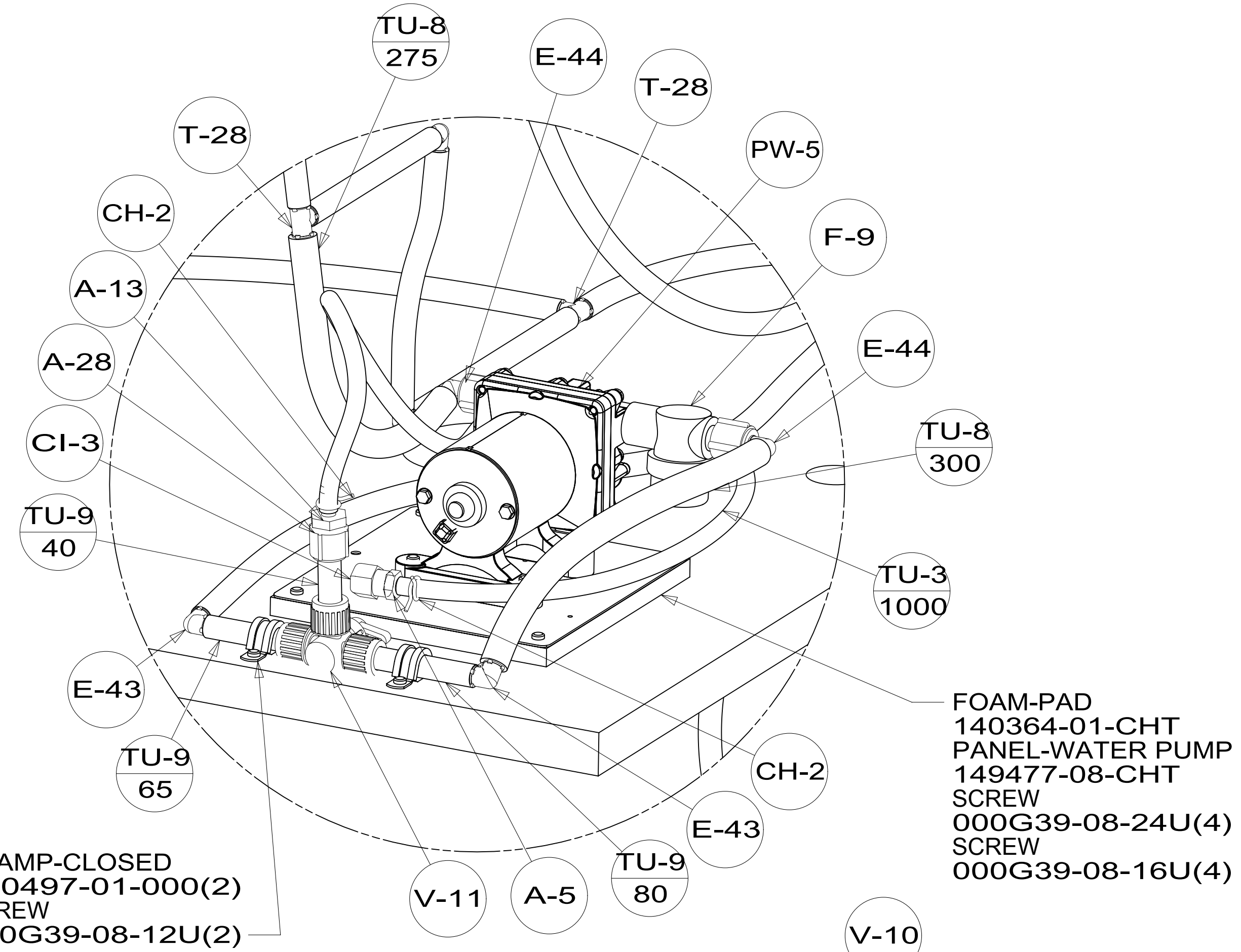
BREAKER-VACUUM
125697-04-000
CHECK VALVE
125697-03-000

CLAMP
010497-01-000



DETAIL BE
(SHOWN W/OUT CABINET)

WATER HEATER INSTL
186899-03-000
CABLE
076767-03-000
SCREW
000G11-06-08U(2)



DETAIL BB

CLAMP-CLOSED
010497-01-000(2)
SCREW
000G39-08-12U(2)

FOAM-PAD
140364-01-CHT
PANEL-WATER PUMP
149477-08-CHT
SCREW
000G39-08-24U(4)
SCREW
000G39-08-16U(4)

CLAMP-CLOSED
010497-01-000(4)
SCREW
000G67-10-12U(4)

SHOWER-HAND
187372-01-CHT

FAUCET-VALVE,SHOWER
180180-01-CHT
FAUCET-TRIM KIT
180180-02-CHT

PANEL-SHOWER FAUCET
167738-06-CHT
SCREW
000G39-08-12U (8)
COVER-SCREW
166569-01-CHT (8)

SECTION BF-BF

VACUUM BREAKER
176678-01-CHT
PLATE-COVER,SHOWER HEAD
143218-02-CHT
DROP ELL-SHOWER
135028-02-CHT
SPACER-SHOWER HEAD
130041-03-CHT

N-1

TO TOILET

DETAIL BC

VIEW BA

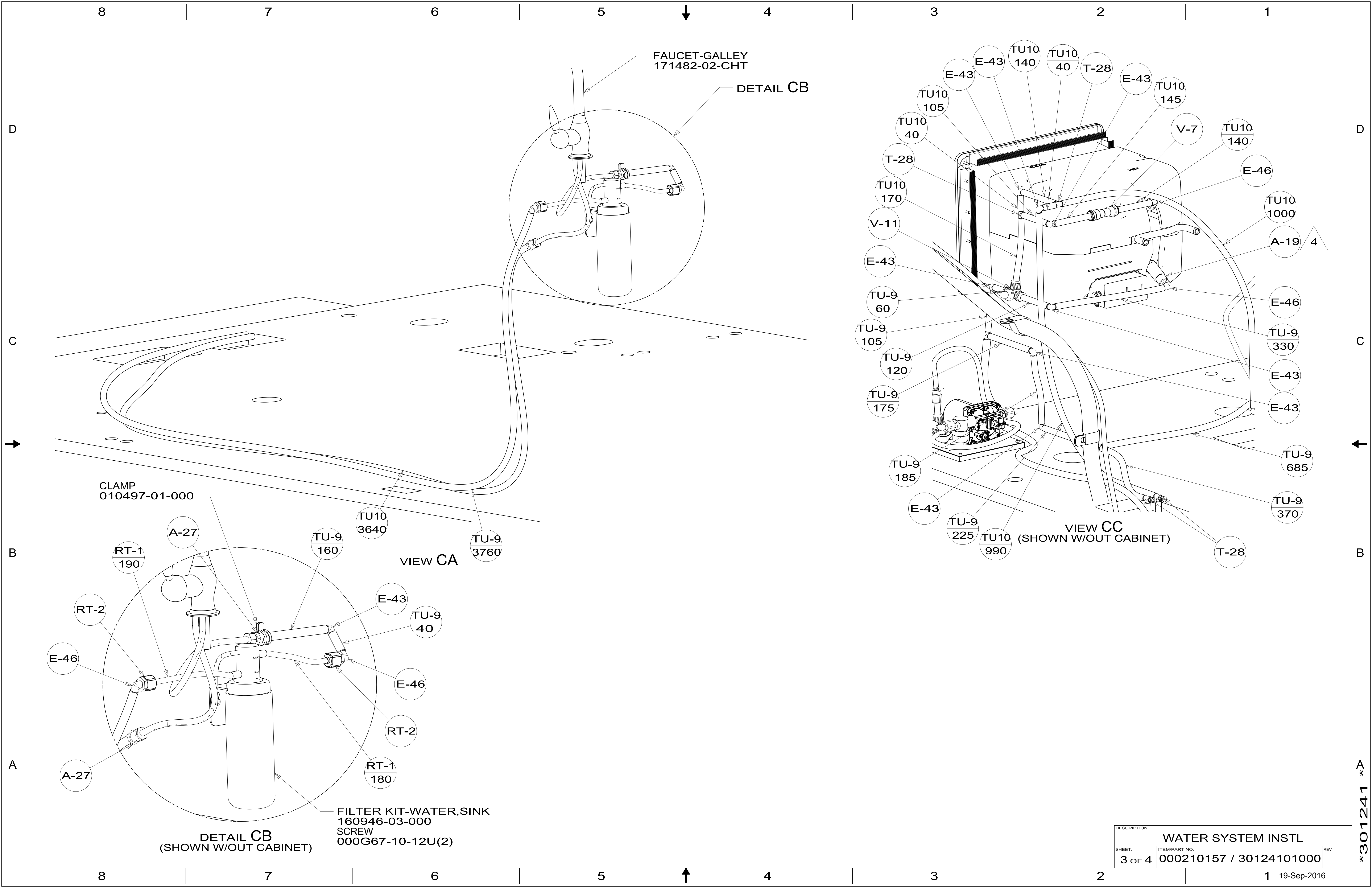
DETAIL BD

DETAIL BB

FLUSHING SYSTEM
125697-08-000

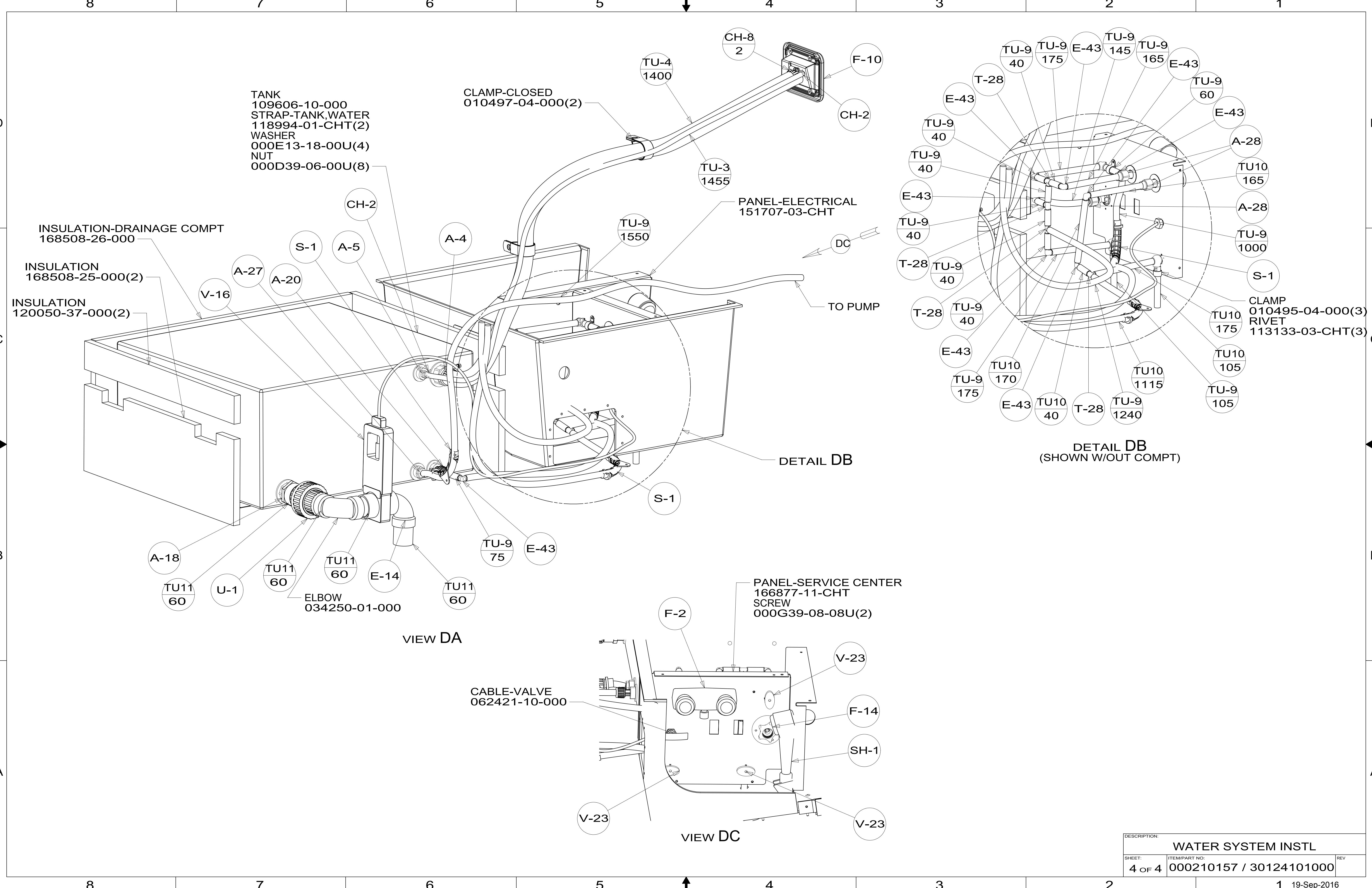
DETAIL BC
(SHOWN W/OUT CABINET)

DESCRIPTION: WATER SYSTEM INSTL		
SHEET: 2 OF 4	ITEM/PART NO: 000210157 / 30124101000	REV



DESCRIPTION:		
WATER SYSTEM INSTL		
SHEET:	ITEM/PART NO:	REV
3 OF 4	000210157 / 30124101000	

*301241 *A



301241