

SWITCH-BUTTON, SPDT
192139-01-CHT
APPLIQUE-BATTERY BOOST
132954-16-CHT
DETAIL AB

PANEL ON LEFT SIDE
OF STEERING COLUMN
(REF)

TO WIRE ASM-
HEADLAMP

TO RADIO ANTENNAS
VIEW HA

2,3,6 PIN HSG
TO WIRE ASM-
CAB,FRONT

DASH RADIO
152
DETAIL EA

36C MOBILEYE
SEE SHEET 8

DETAIL AA

2 152 RECEIVER-SAT RADIO
181908-05-000

BATTERY BOOST
SWITCH
DETAIL AA

TO SIDE CAMERA
VIEW GA

6 PIN HSG
TO MIRROR

TO WIRE ASM-
HEADLAMP

TO TEMP SENSOR
VIEW GA

1B8 WIRE ASM-12V RCP
175753-01-000
FUSE
62901-04-000

12L 6 PIN HSG
TO WIRE ASM-DOOR
1B8 TO WIRE ASM-12V RCP

TO SIDE CAMERA
VIEW GA

TO WIRE ASM-SIDEWALL

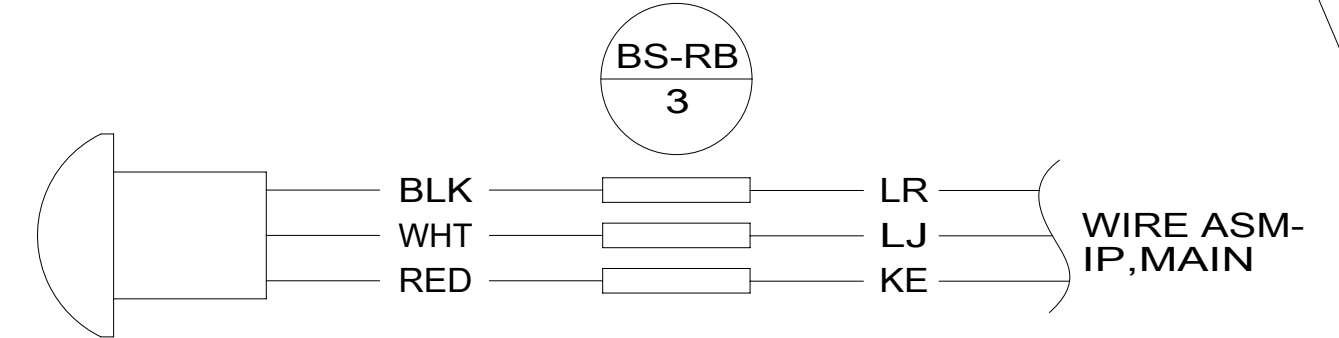
TO CHASSIS
ELECTRICAL BOX 1

WIRE ASM-IP,MAIN
00026222 / 315549-01-000

AFA,AFB
TO CHASSIS CONNECTOR
DETAIL DE 3

KE,WJ,MK
TO SPRINTER
TERMINAL BLOCK
DETAIL DC

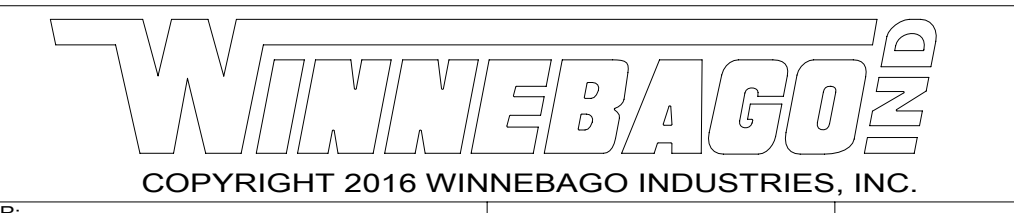
TO WIRE ASM-CHASSIS



DETAIL AB

- 36C COLLISION AVOIDANCE SYSTEM
- 152 LG SCREEN-INFOTAIN CTR/GPS
- 1B8 DOOR-DRIVER WITHOUT
- 12L DOOR-DRIVER
- 1ME MERCEDES-11,030# DIESEL,COWL
- 265 CODES/STANDARDS-CSA/CMVSS
- 1B1 CODES/STANDARDS USA

1B1 265 1ME



DSNR:		ALL DIMENSIONS ARE IN MILLIMETERS	
DFFR:		MATERIAL:	
UNSPECIFIED TOLERANCES:			
WHOLE DIM (X)	: 3		
ONE-PLACE (X.X)	: 1.5		
TWO-PLACE (X.XX)	: 0.50		
ANGLE	: 1°		
REFER TO ES0018 FOR FASTENER TIGHTENING GUIDELINES	WEIGHT: (LBS)	FIRST USED:	16 H-SER

DESCRIPTION:
WIRING INSTL-FRONT END

SHEET:	ITEM/PART NO.:	REV
1 OF 9	000210147 / 30122701000	

- NOTES:
- 5 DRILL 12.3 MM HOLE INTO DASH PANEL.
 - 4 REFERENCE MODULE DRAWING FOR SETUP PROCEDURE.
 - 3 SEE SHT 5 AND SHT 6 FOR ADDITIONAL INFORMATION.
 - 2 WIRE TIE SATELLITE RADIO RECEIVER TO WIRING IN THIS AREA.
 - 1 SEE WIRING INSTL-CHASSIS FOR ADDITIONAL INFORMATION

FOR ELECTRICAL
TORQUE
SPECIFICATIONS
SEE DWG NO.
128783-01-000

FOR
ELECTRICAL
CALLOUTS
SEE DWG NO.
121339-01-000

D

D

C

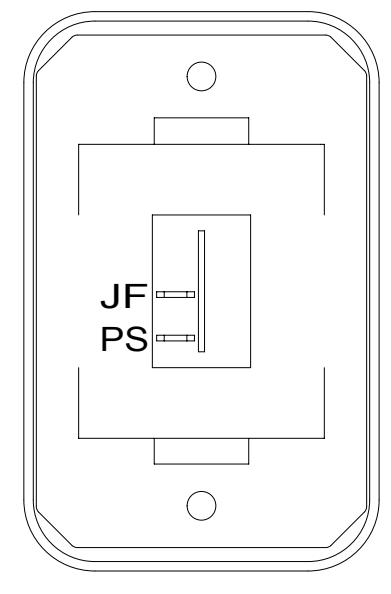
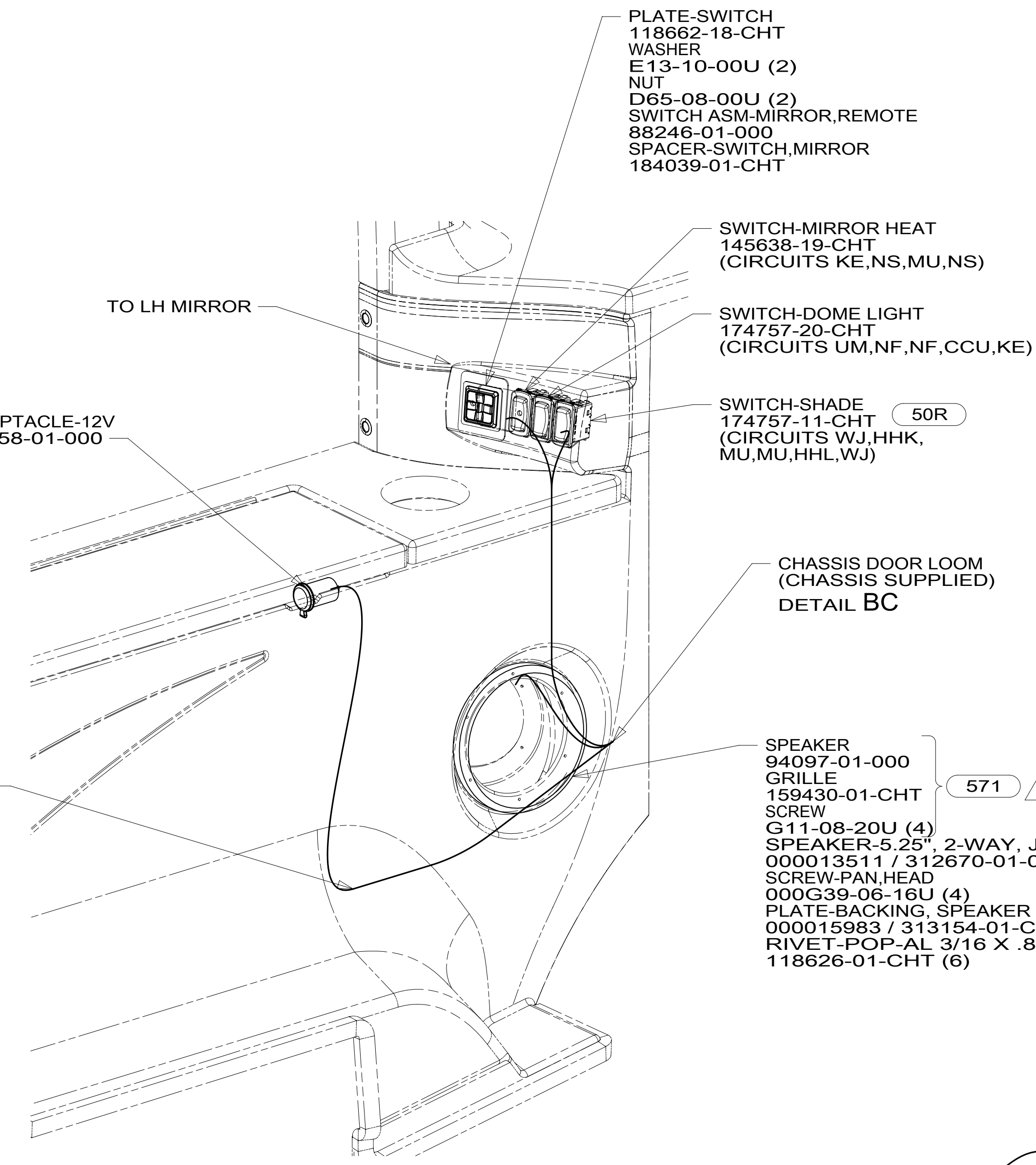
C

B

B

A

A



- SWITCH-ROCKER 135740-01-CHT
- SWITCH-BASE 135741-01-CHT
- SWITCH-BEZEL 135742-01-CHT
- SCREW G11-08-08U (2)

12L TO WIRE ASM-DOOR

- SWITCH-MIRROR HEAT 145638-19-CHT (CIRCUITS KE,NS,MU,NS)
- SWITCH-DOME LIGHT 174757-20-CHT (CIRCUITS UM,NF,NF,CCU,KE)
- SWITCH-SHADE 174757-11-CHT (CIRCUITS WJ,HHK,MU,MU,HHL,WJ)

50R

CHASSIS DOOR LOOM (CHASSIS SUPPLIED) DETAIL BC

- SPEAKER-5.25", 2-WAY, JBL 000013511 / 312670-01-000
- SCREW-PAN,HEAD 000G39-06-16U (4)
- PLATE-BACKING, SPEAKER 000015983 / 313154-01-CHT
- RIVET-POP-AL 3/16 X .8-.375 118626-01-CHT (6)

- SPEAKER 94097-01-000
- GRILLE 159430-01-CHT
- SCREW G11-08-20U (4)
- SPEAKER-5.25", 2-WAY, JBL 000013511 / 312670-01-000
- SCREW-PAN,HEAD 000G39-06-16U (4)
- PLATE-BACKING, SPEAKER 000015983 / 313154-01-CHT
- RIVET-POP-AL 3/16 X .8-.375 118626-01-CHT (6)

571 2

57P 3

2,3,6 PIN HSG TO WIRE ASM-CAB,FRONT

TO SIDE CAMERA VIEW GA

RB TO TURN SIGNAL CIRCUIT
WL,WM TO POWER DOOR LOCK CIRCUITS
DETAIL BE

- SPEAKER 94097-01-000
- GRILLE 159430-01-CHT
- SCREW G11-08-20U (4)
- SPEAKER-5.25", 2-WAY, JBL 000013511 / 312670-01-000
- SCREW-PAN,HEAD 000G39-06-16U (4)
- PLATE-BACKING, SPEAKER 000015983 / 313154-01-CHT
- RIVET-POP-AL 3/16 X .8-.375 118626-01-CHT (6)

4 571

1 57P

JB

SWITCH DETAIL BD

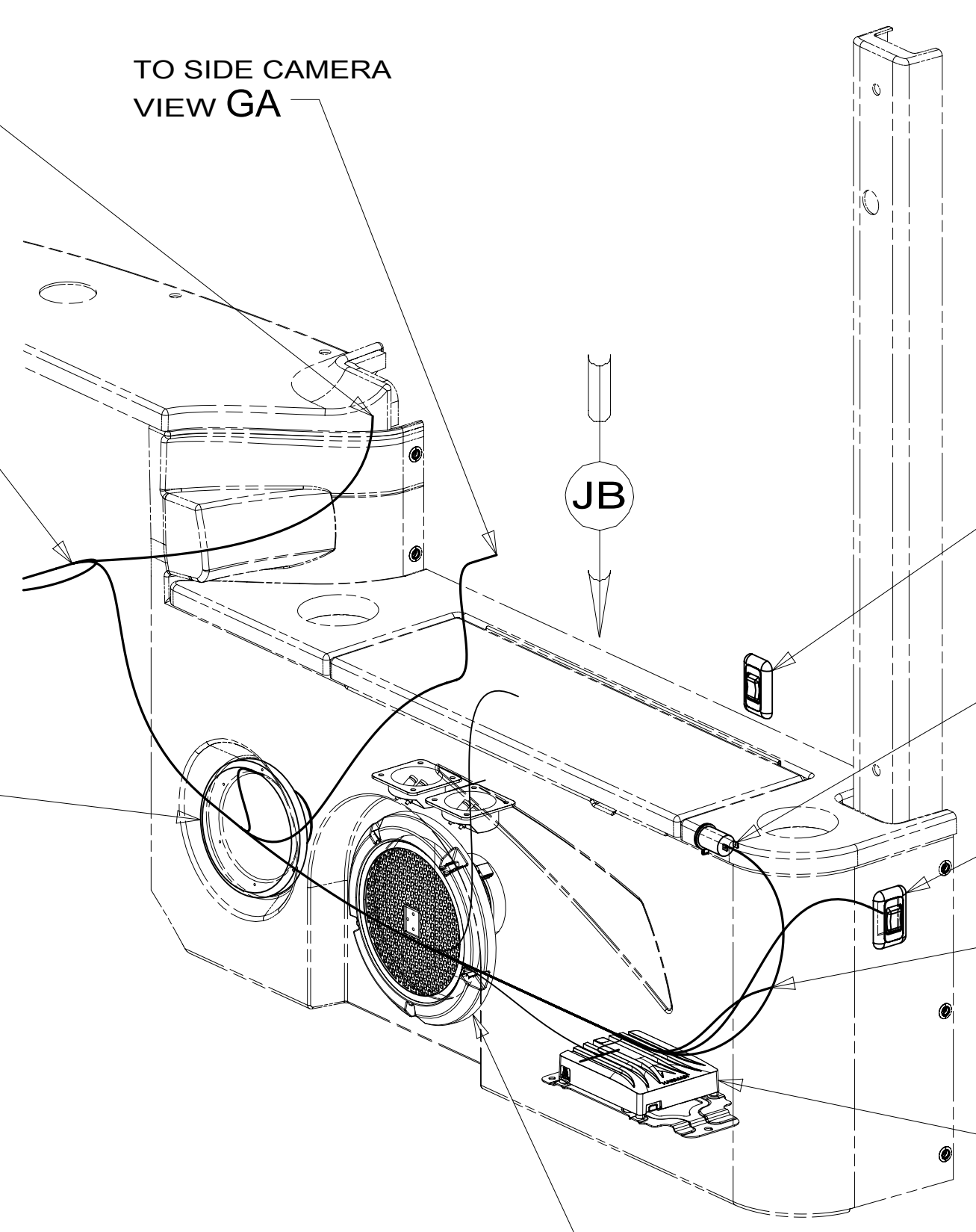
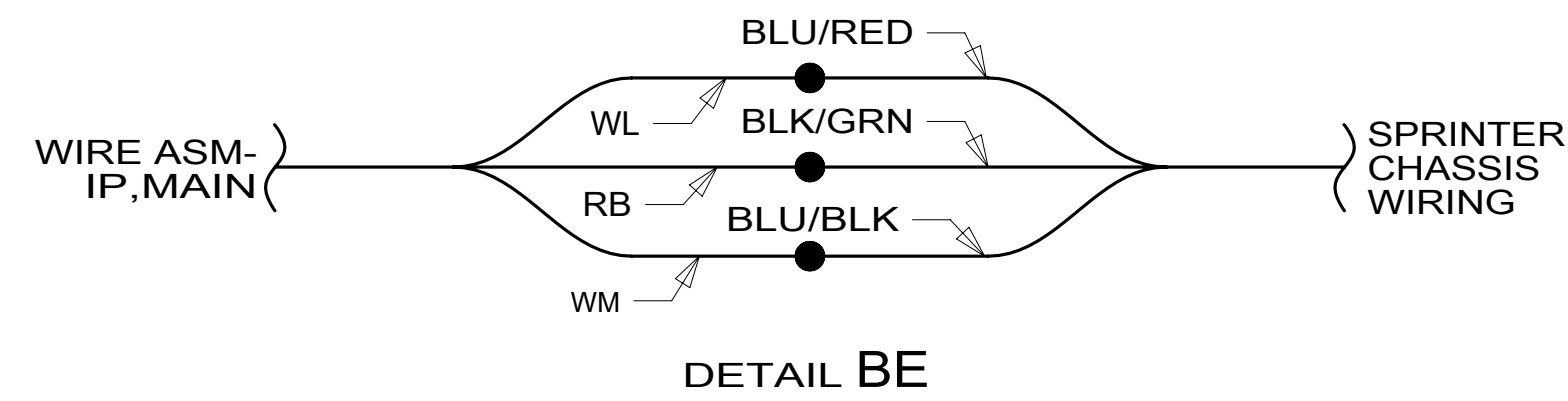
RECEPTACLE-12V 132958-01-000

SWITCH DETAIL CF 808

TO WIRE ASM-SIDEWALL

DETAIL JA 57P

VIEW BA



VIEW BB

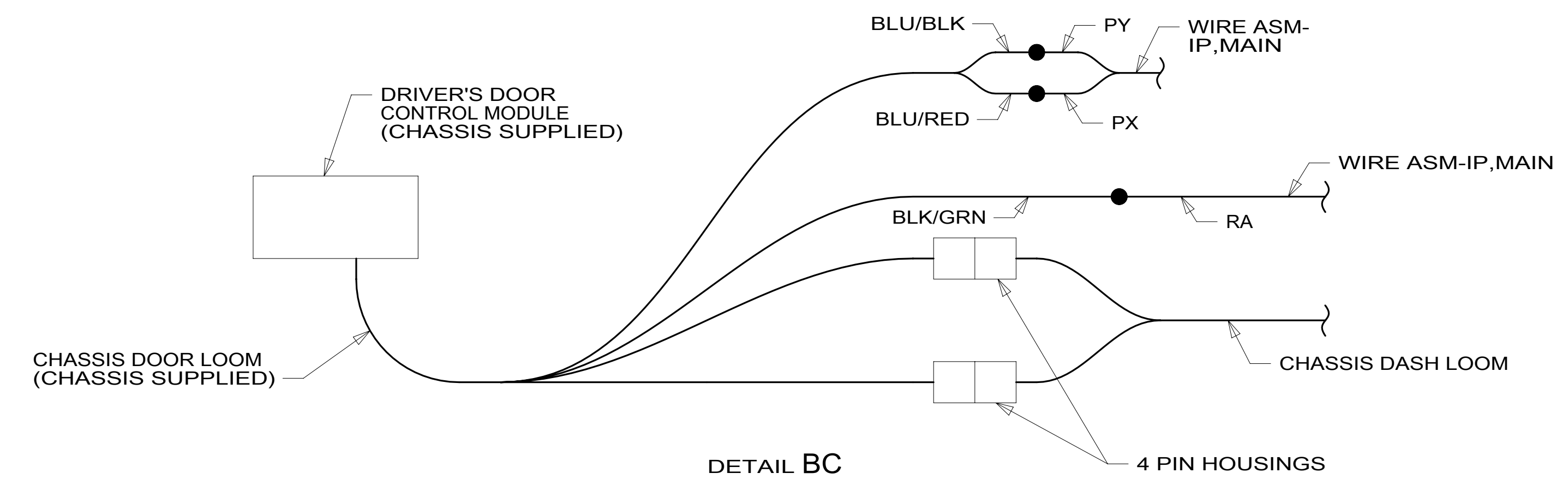
- SPEAKER 193633-01-000
- GRILL-SPEAKER 8" 193633-02-000
- WIRE ASM-PIGTAIL,SUB 193633-04-000

57P

- 50R FRONT BUNK-PULL DOWN
- 571 RADIO SPEAKERS
- 57P RADIO SPEAKERS-PREMIUM SOUND
- 1B8 DOOR-DRIVER WITHOUT
- 808 CABINET, FRONT CAB OVERHEAD
- 12L DOOR-DRIVER
- 1ME MERCEDES-11,030# DIESEL,COWL
- 265 CODES/STANDARDS-CSA/CMVSS
- 1B1 CODES/STANDARDS USA

- 4 USE SPEAKER CIRCUITS KW AND AS FROM WIRE ASM-IP,MAIN.
- 3 USE SPEAKER CIRCUITS EEK AND EEL FROM WIRE ASM-PREMIUM SOUND.
- 2 USE SPEAKER CIRCUITS KY AND AT FROM WIRE ASM-IP,MAIN.
- 1 USE SPEAKER CIRCUITS EEM AND EEN FROM WIRE ASM-PREMIUM SOUND.

NOTES:



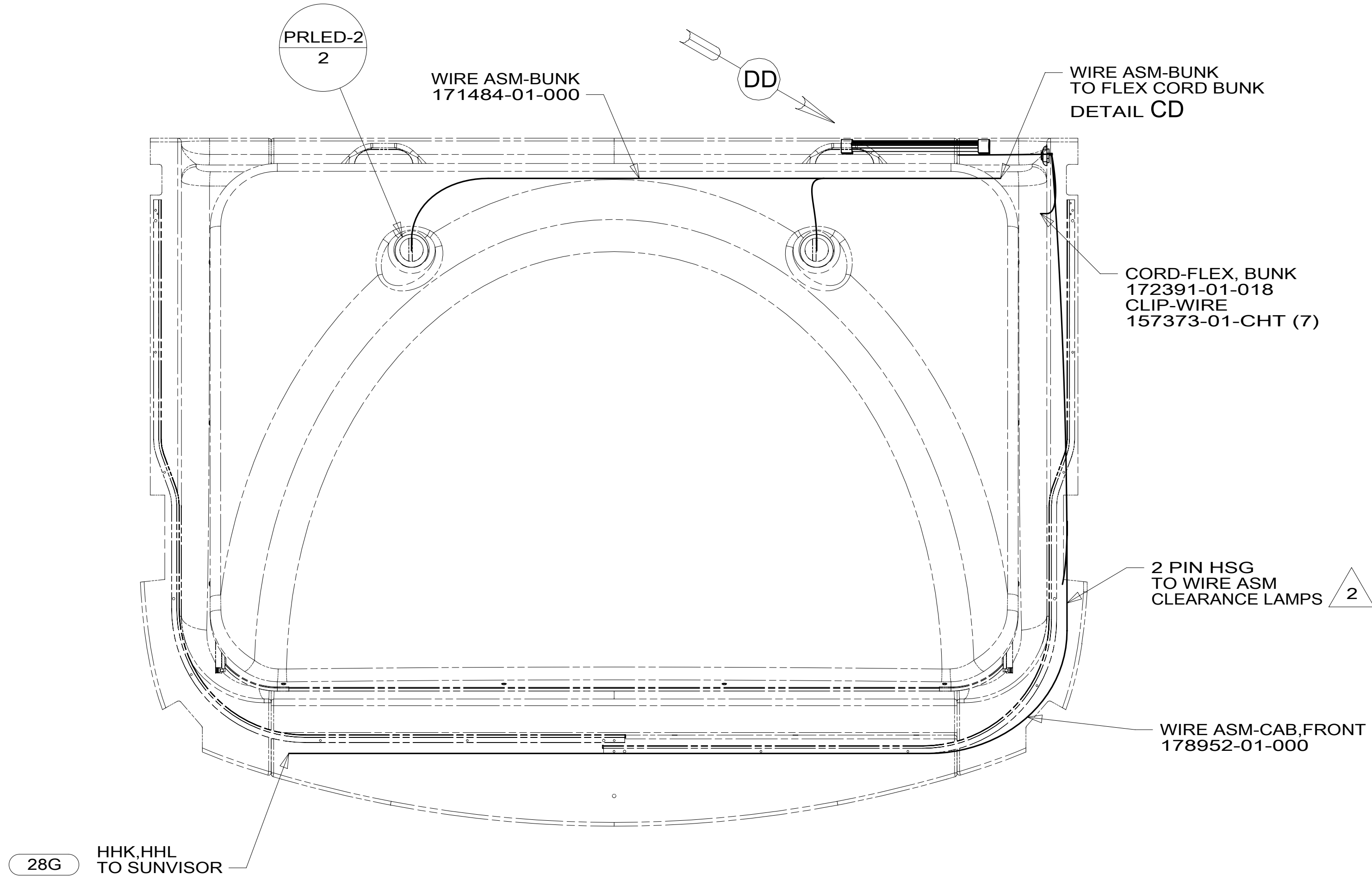
DETAIL BC

FOR ELECTRICAL TORQUE SPECIFICATIONS SEE DWG NO. 128783-01-000

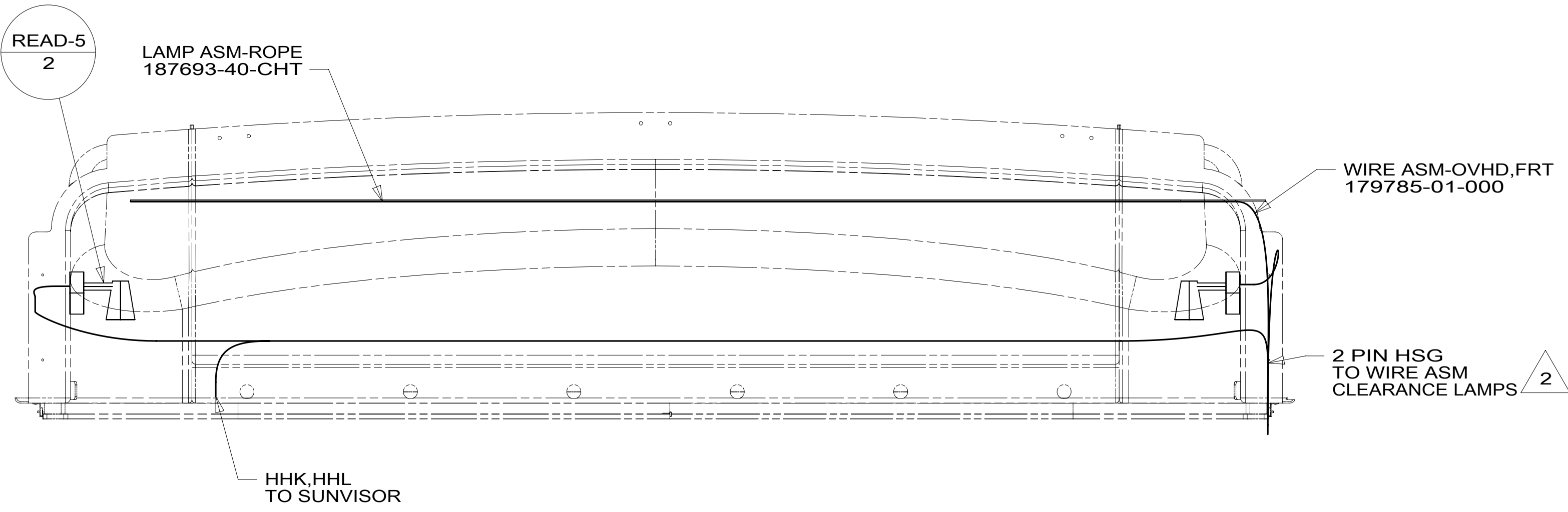
FOR ELECTRICAL CALLOUTS SEE DWG NO. 121339-01-000

DESCRIPTION: 1B1 265 1ME
WIRING INSTL-FRONT END
 SHEET: 2 OF 9 ITEM/PART NO: 000210147 / 30122701000 REV

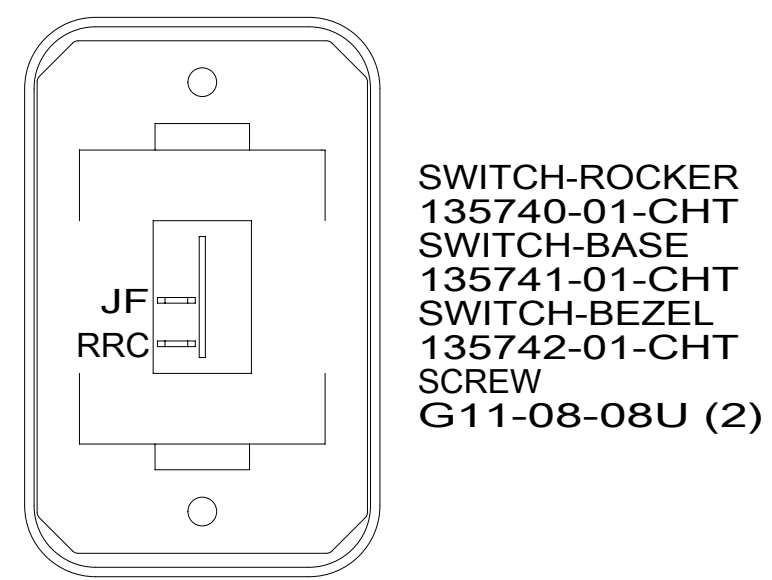
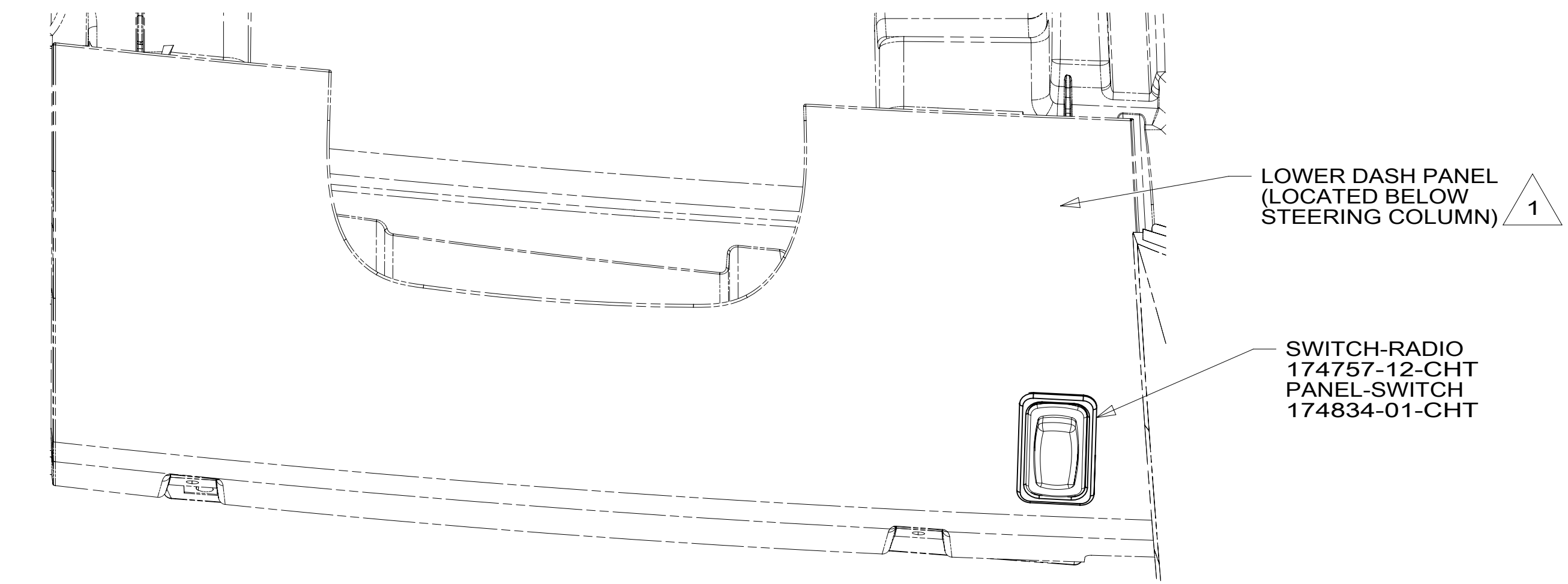
8 7 6 5 4 3 2 1



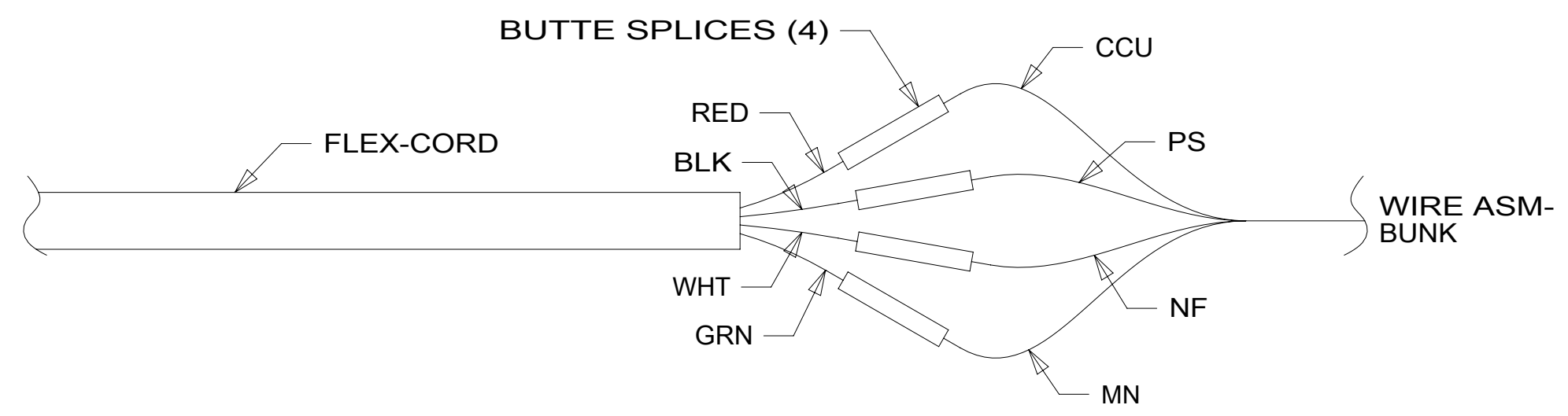
VIEW CA 50R



VIEW CE 808



DETAIL CF 808



DETAIL CD 50R

- 808 CABINET, FRONT CAB OVERHEAD
- 50R FRONT BUNK-PULL DOWN
- 1ME MERCEDES-11,030# DIESEL,COWL
- 265 CODES/STANDARDS-CSA/CMVSS
- 1B1 CODES/STANDARDS USA

2 SEE WIRING INSTL-EXTERIOR LAMPS FOR ADDITIONAL INFORMATION.

1 FOR CUTOUT DIMENSIONS SEE DETAIL DA AND DETAIL DF.

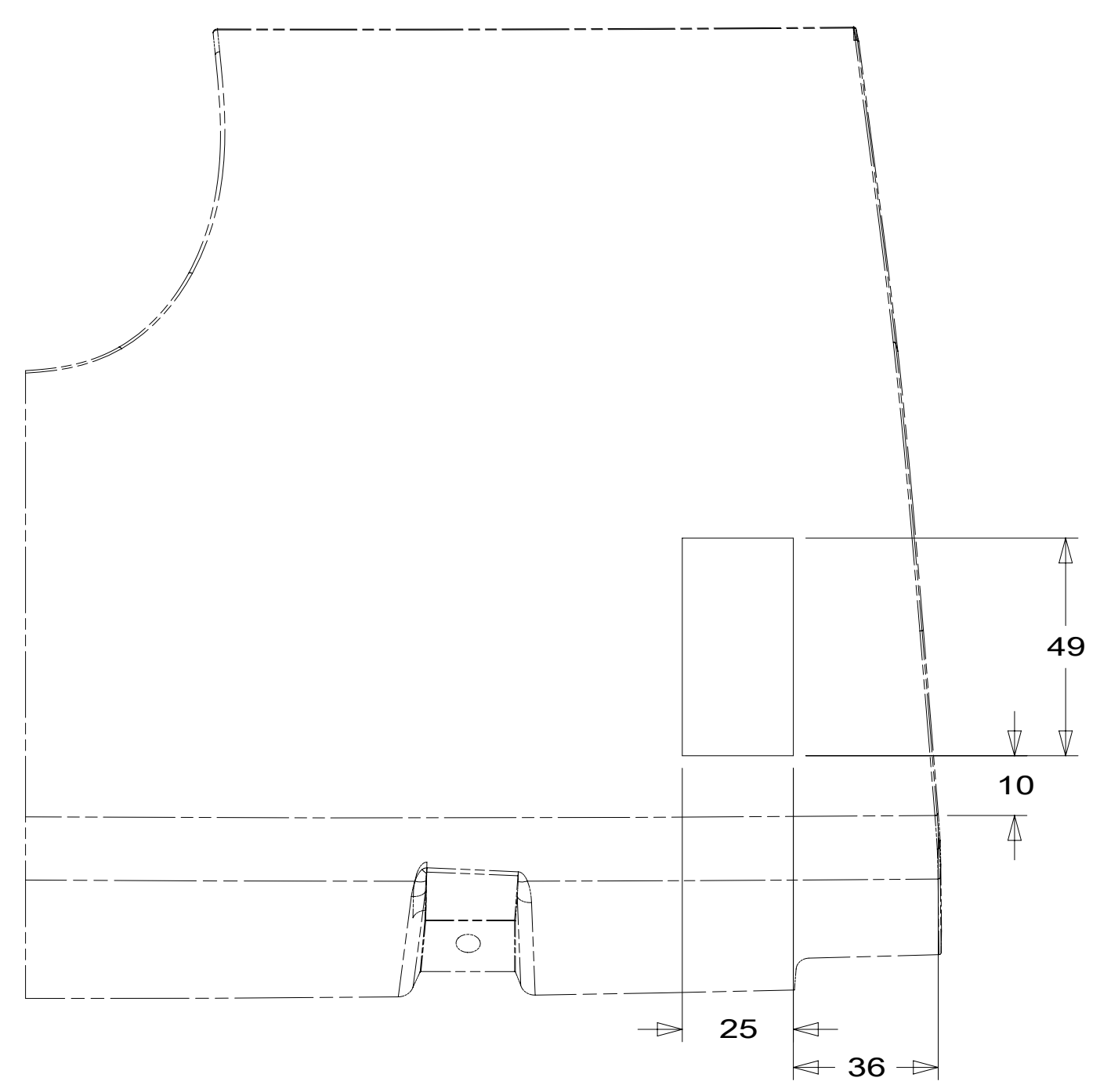
NOTES:

FOR ELECTRICAL TORQUE SPECIFICATIONS SEE DWG NO. 128783-01-000

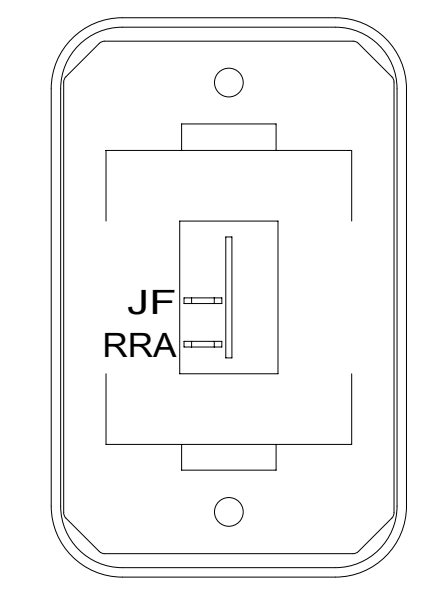
X-X FOR ELECTRICAL CALLOUTS SEE DWG NO. 121339-01-000

DESCRIPTION:	1B1 265 1ME	
WIRING INSTL-FRONT END		
SHEET:	ITEM/PART NO.:	REV
3 OF 9	000210147 / 30122701000	

8 7 6 5 4 3 2 1 07-Oct-2016

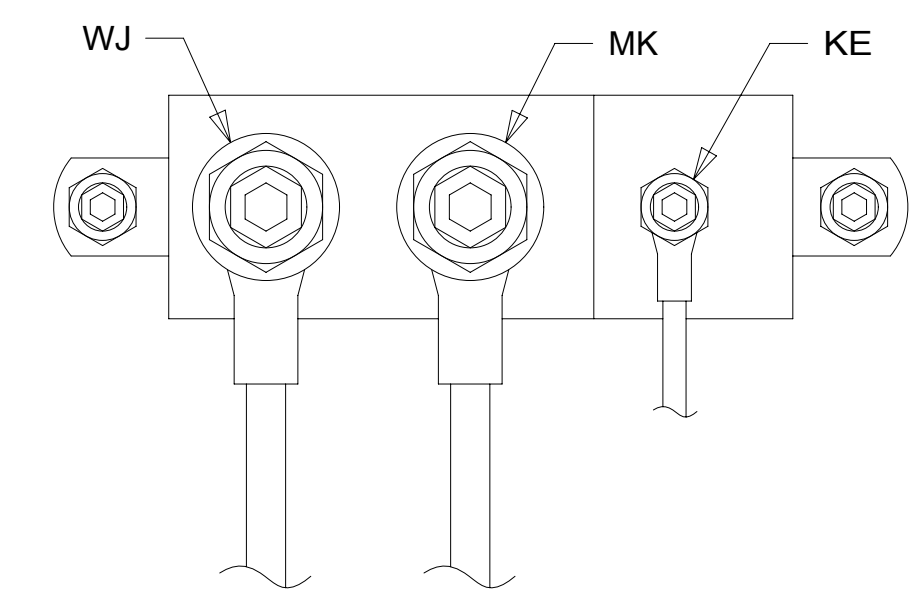


VIEW DA 2

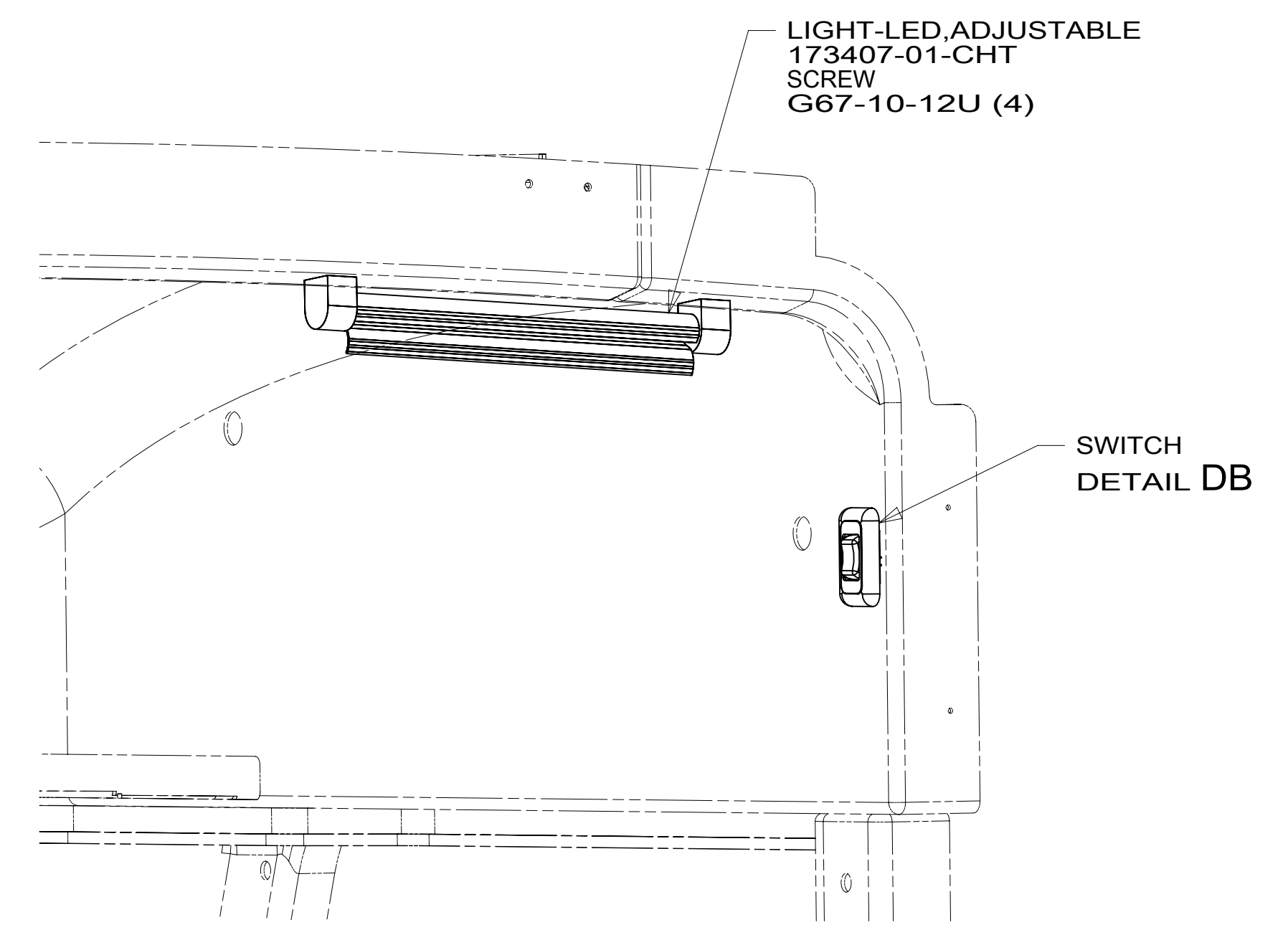


DETAIL DB 1

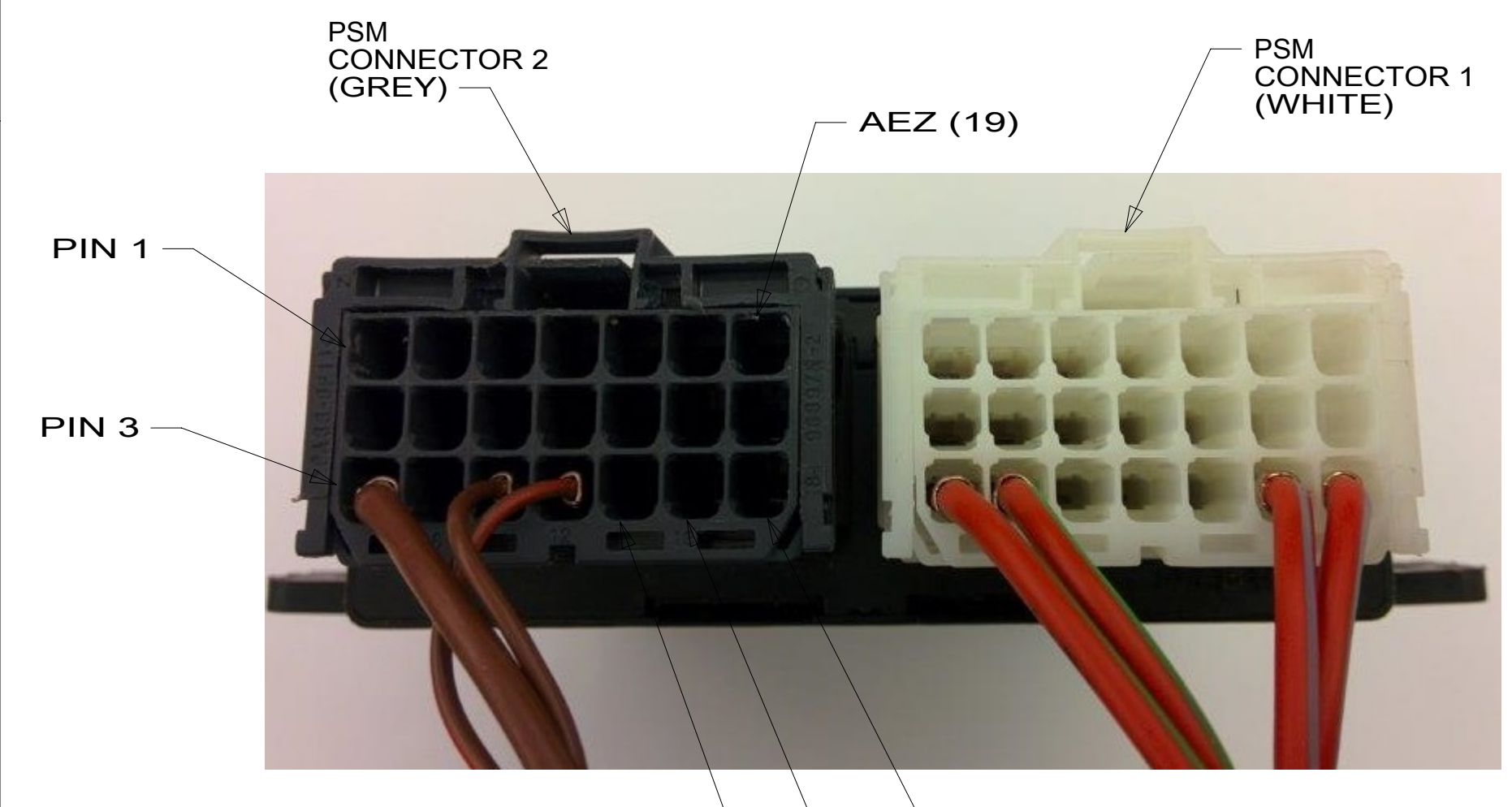
SWITCH-ROCKER
135740-01-CHT
SWITCH-BASE
135741-01-CHT
SWITCH-BEZEL
135742-01-CHT
SCREW
G11-08-08U (2)



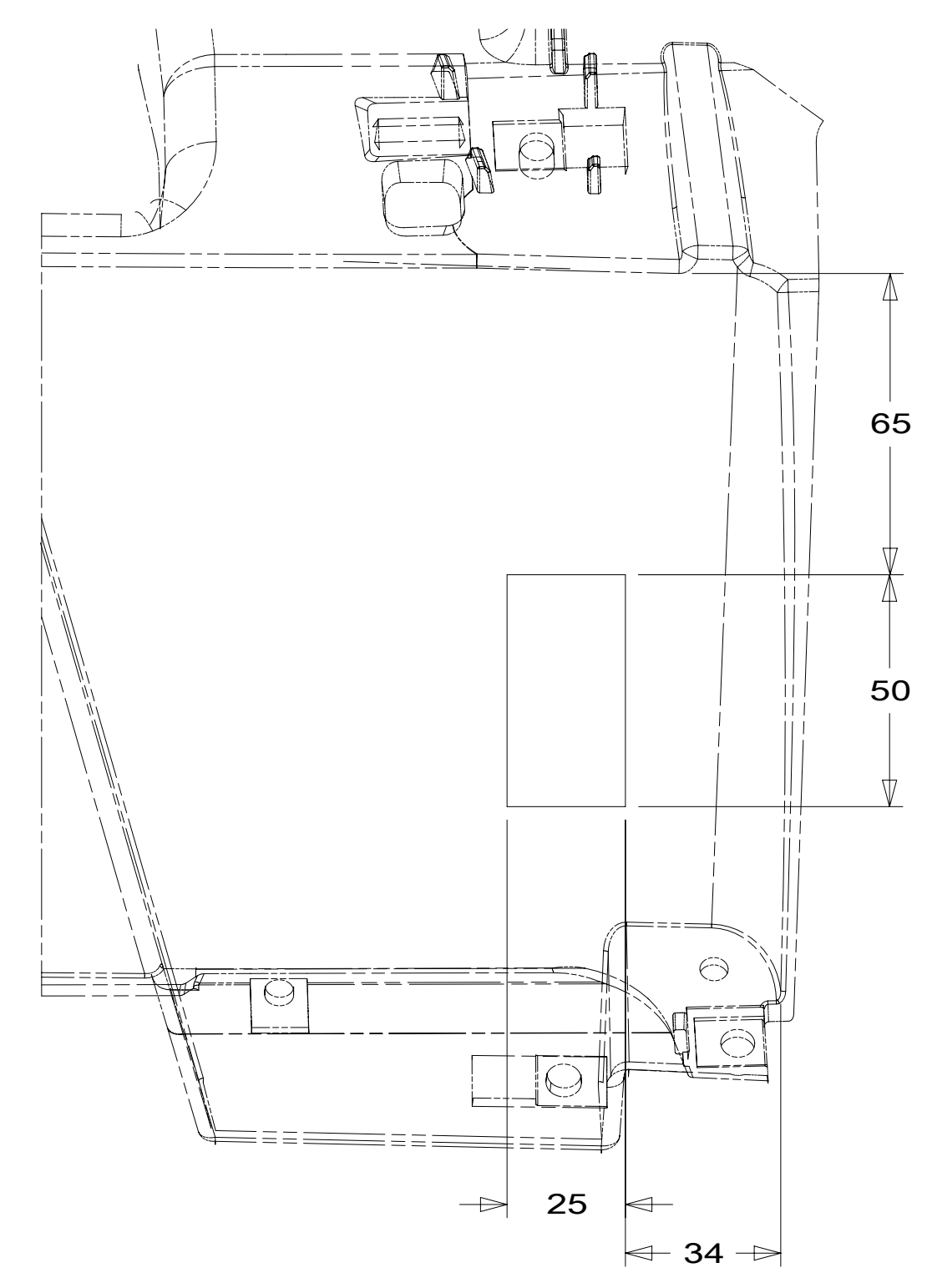
DETAIL DC 1



DETAIL DD 50R



DETAIL DE 1



VIEW DF 3

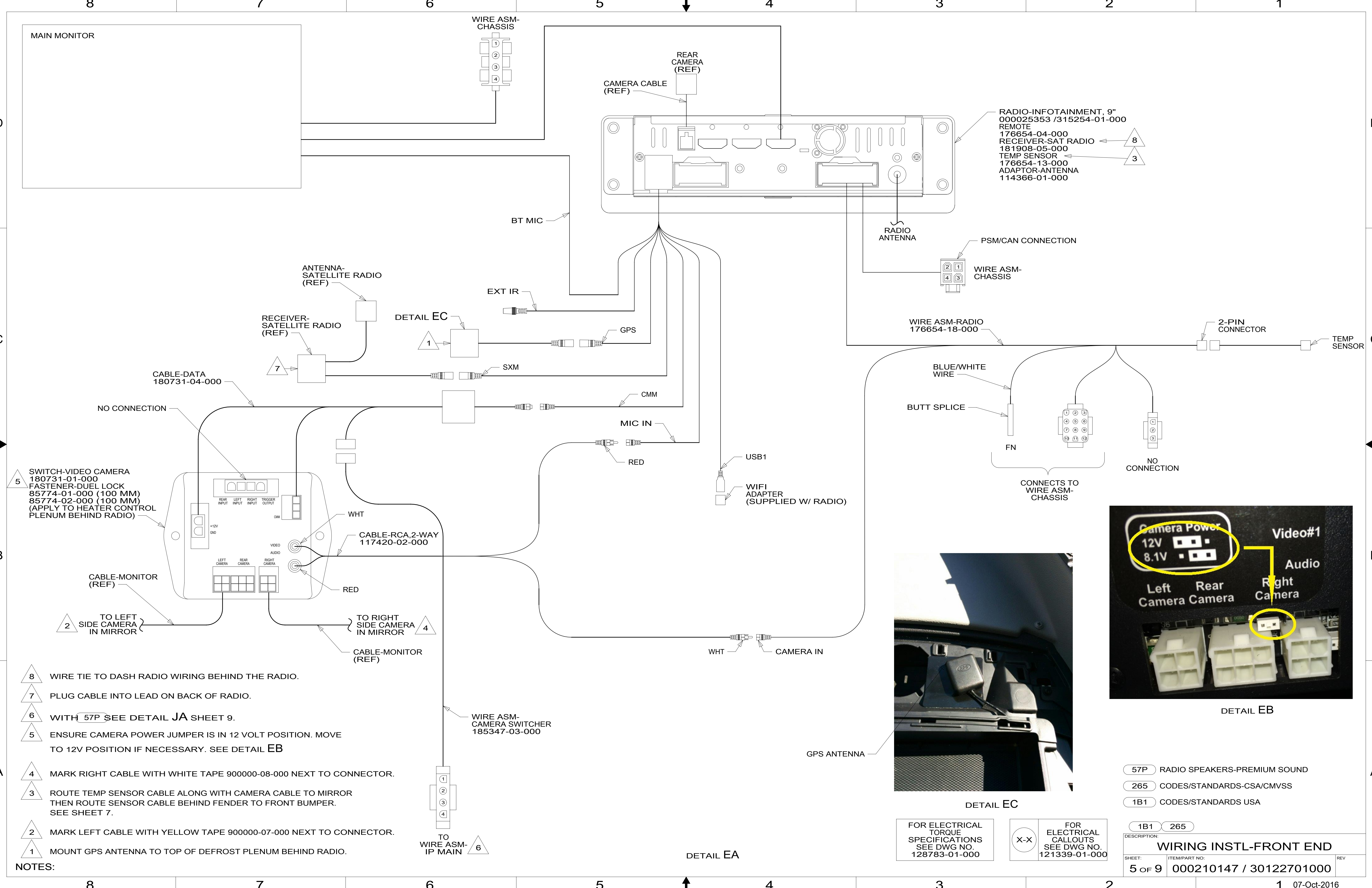
- NOTES:
- 3 DASH STRUCTURE LOCATED BEHIND LOWER DASH PANEL.
 - 2 LOWER DASH PANEL.
 - 1 CONNECTION POINT IS LOCATED UNDER DRIVER'S SEAT.

- 28Z SUNVISORS - MANUAL(3)
- 50R FRONT BUNK-PULL DOWN
- 1ME MERCEDES-11,030# DIESEL,COWL
- 265 CODES/STANDARDS-CSA/CMVSS
- 1B1 CODES/STANDARDS USA

FOR ELECTRICAL TORQUE SPECIFICATIONS SEE DWG NO. 128783-01-000

FOR ELECTRICAL CALLOUTS SEE DWG NO. 121339-01-000

DESCRIPTION:		
WIRING INSTL-FRONT END		
SHEET:	ITEM/PART NO.:	REV
4 OF 9	000210147 / 30122701000	



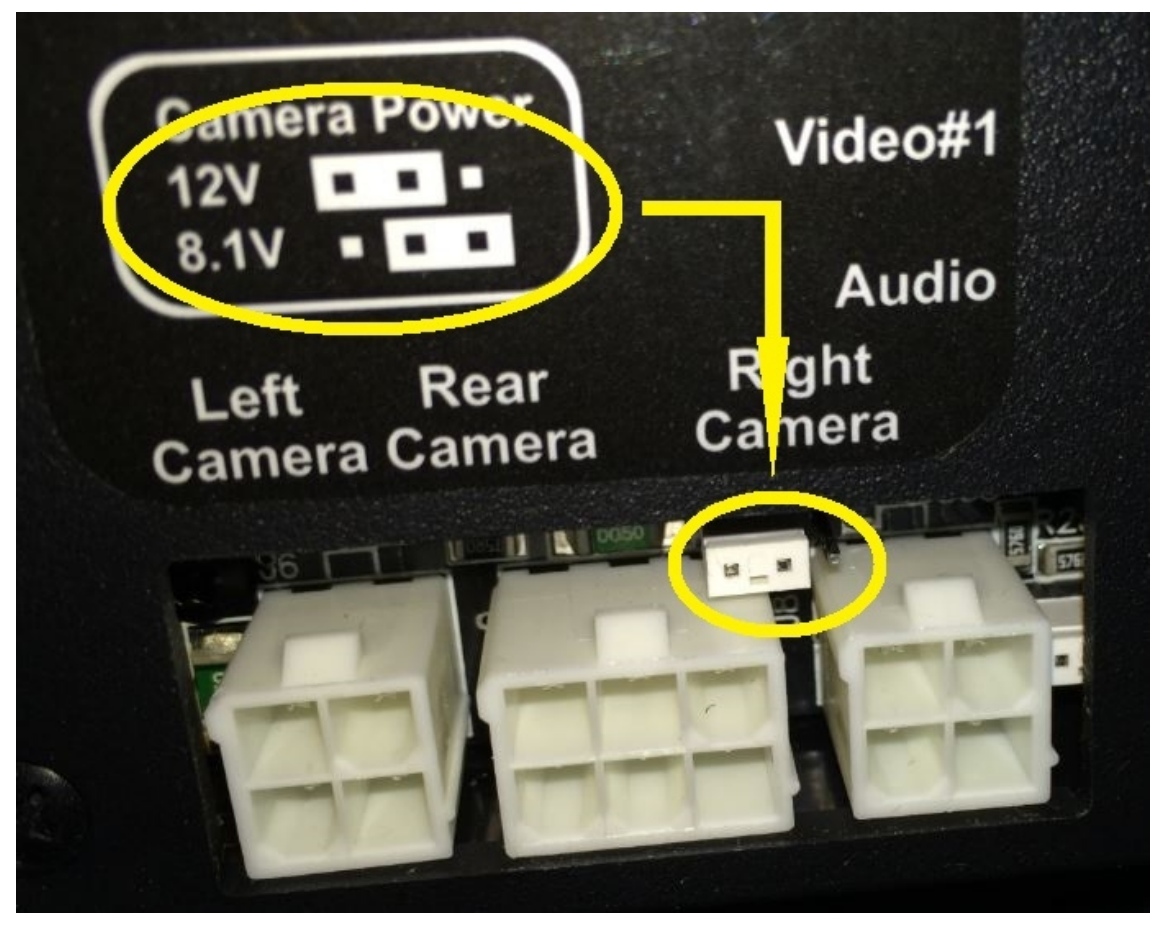
- 8 WIRE TIE TO DASH RADIO WIRING BEHIND THE RADIO.
- 7 PLUG CABLE INTO LEAD ON BACK OF RADIO.
- 6 WITH 57P SEE DETAIL JA SHEET 9.
- 5 ENSURE CAMERA POWER JUMPER IS IN 12 VOLT POSITION. MOVE TO 12V POSITION IF NECESSARY. SEE DETAIL EB
- 4 MARK RIGHT CABLE WITH WHITE TAPE 900000-08-000 NEXT TO CONNECTOR.
- 3 ROUTE TEMP SENSOR CABLE ALONG WITH CAMERA CABLE TO MIRROR THEN ROUTE SENSOR CABLE BEHIND FENDER TO FRONT BUMPER. SEE SHEET 7.
- 2 MARK LEFT CABLE WITH YELLOW TAPE 900000-07-000 NEXT TO CONNECTOR.
- 1 MOUNT GPS ANTENNA TO TOP OF DEFROST PLENUM BEHIND RADIO.

- NOTES:**
- 57P RADIO SPEAKERS-PREMIUM SOUND
 - 265 CODES/STANDARDS-CSA/CMVSS
 - 1B1 CODES/STANDARDS USA

FOR ELECTRICAL TORQUE SPECIFICATIONS SEE DWG NO. 128783-01-000

FOR ELECTRICAL CALLOUTS SEE DWG NO. 121339-01-000

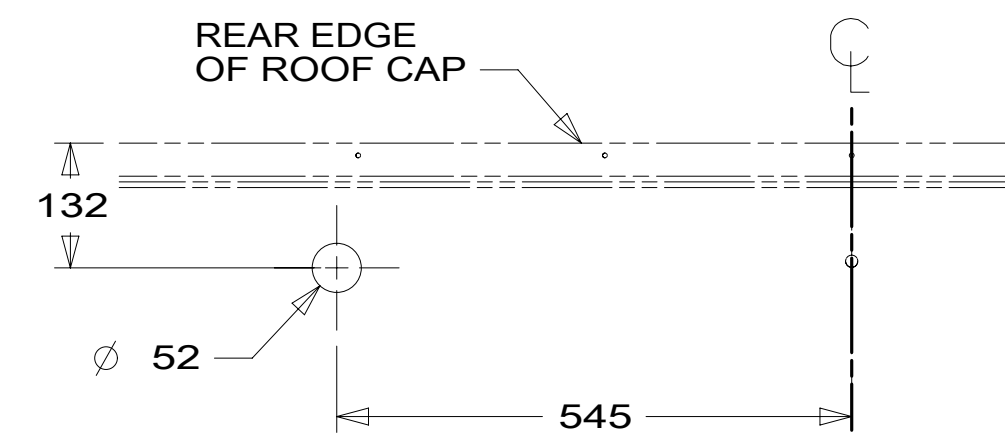
DESCRIPTION:		
1B1 265		
WIRING INSTL-FRONT END		
SHEET:	ITEM/PART NO.:	REV
5 OF 9	000210147 / 30122701000	



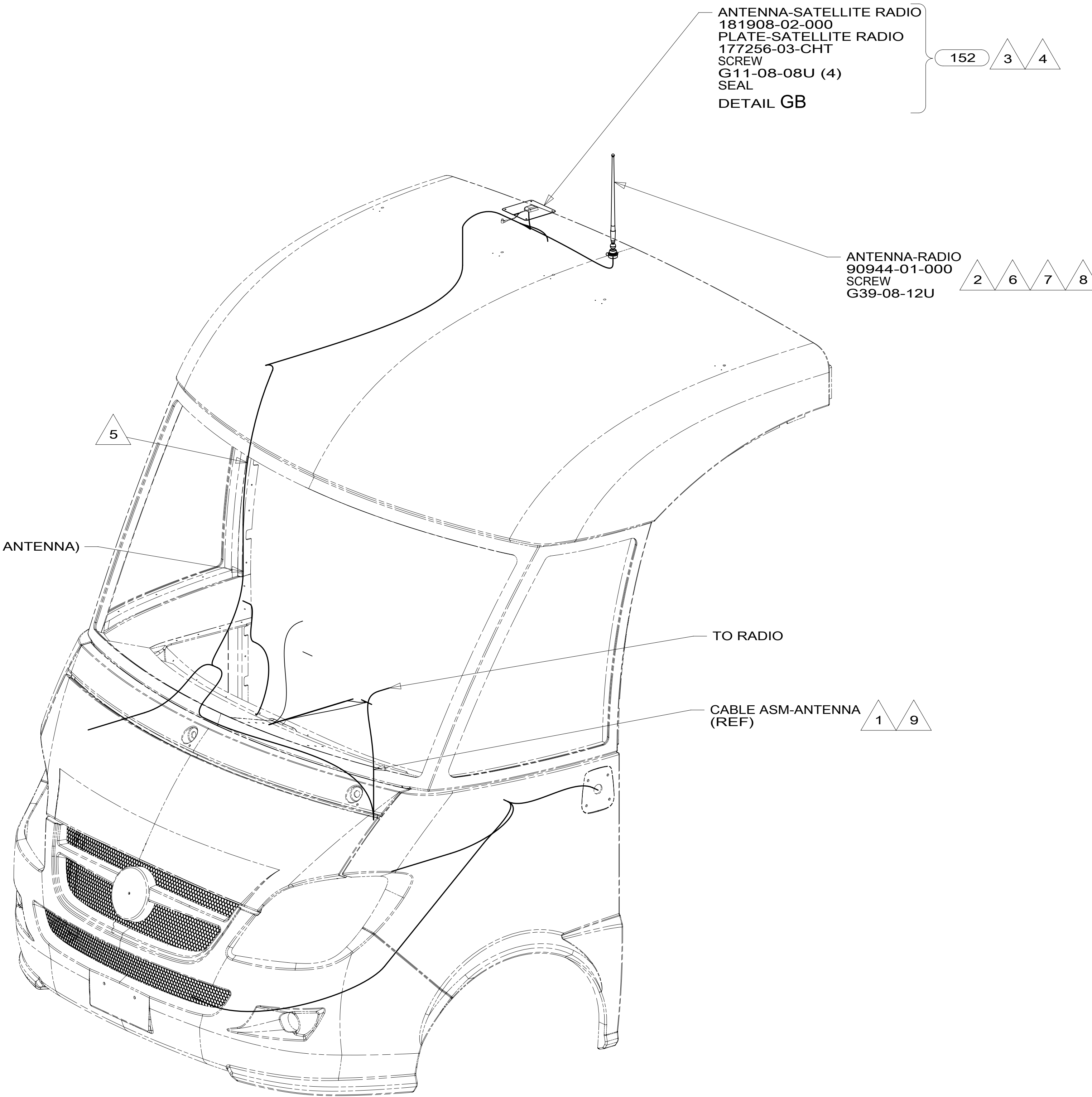
DETAIL EB

DETAIL EC

DETAIL EA



DETAIL GB 152



VIEW GA

- NOTES:
- 9 CABLE IS INTEGRATED INTO WIRE ASM-IP,MAIN.
 - 8 REMOVE AND REINSTALL AFTER PAINT.
 - 7 CUT AND REMOVE A 75MM X 75MM AREA OF THE ALUMINUM INSULATION, CENTERED ABOUT THE RADIO ANTENNA ROOF CAP.
 - 6 USE SCREW TO ATTACH ANTENNA GROUND CABLE TO CAB STEEL STRUCTURE.
 - 5 ROUTE SATELLITE RADIO ANTENNA CABLE FROM PASSENGER SEAT PEDESTAL UP A-PILLAR TO ROOF CAP.
 - 4 SEE WIRING INSTL-CHASSIS FOR ADDITIONAL INFORMATION.
 - 3 MOUNT ANTENNA SUCH THAT BASE IS SQUARE W/REAR OF ROOF CAP & CENTER HOLE OF ANTENNA DIRECTLY OVER HOLE IN FIBERGLASS. SEAL HOLE, BASE, AND SCREWS.
 - 2 SEAL AROUND ANTENNA BASE.
 - 1 ROUTE RADIO ANTENNA CABLE FROM DASH RADIO UNDER DASH UP PASSENGER SIDE A-PILLAR TO ROOF CAP.

FOR ELECTRICAL TORQUE SPECIFICATIONS SEE DWG NO. 128783-01-000

FOR ELECTRICAL CALLOUTS SEE DWG NO. 121339-01-000

- 152 LG SCREEN-INFOTAIN CTR/GPS
- 265 CODES/STANDARDS-CSA/CMVSS
- 1B1 CODES/STANDARDS USA

DESCRIPTION:	
WIRING INSTL-FRONT END	
SHEET:	ITEM/PART NO:
7 OF 9	000210147 / 30122701000
REV	

8 7 6 5 4 3 2 1

D
C
B
A

D
C
B
A

MOBILEYE 560-H SERIES, PSM
000021180 / 314188-01-000 1 36C

2 MOBILEYE DISPLAY

747 3

- NOTES:
- 3 MEASURE FROM BLACK EDGE OF WINDSHIELD TO SIDE OF CAMERA HOUSING.
 - 2 ATTACH TO CHASSIS SUPPLIED DASH. ROUTE CABLE UNDER PANEL-DASH,CENTER TO CENTER AND CONNECT TO MAIN MOBILEYE HARNESS BEHIND CENTER CLUSTER.
 - 1 ATTACH TO WINDSHIELD AS LOW AS POSSIBLE. ROUTE CABLE BELOW DASH TO LEFT SIDE WITH DISPLAY CABLE. THEN TO CENTER OF DASH TO CONNECT TO WIRE ASM-IP,MAIN.

- 36C COLLISION AVOIDANCE SYSTEM
- 265 CODES/STANDARDS-CSA/CMVSS
- 1B1 CODES/STANDARDS USA

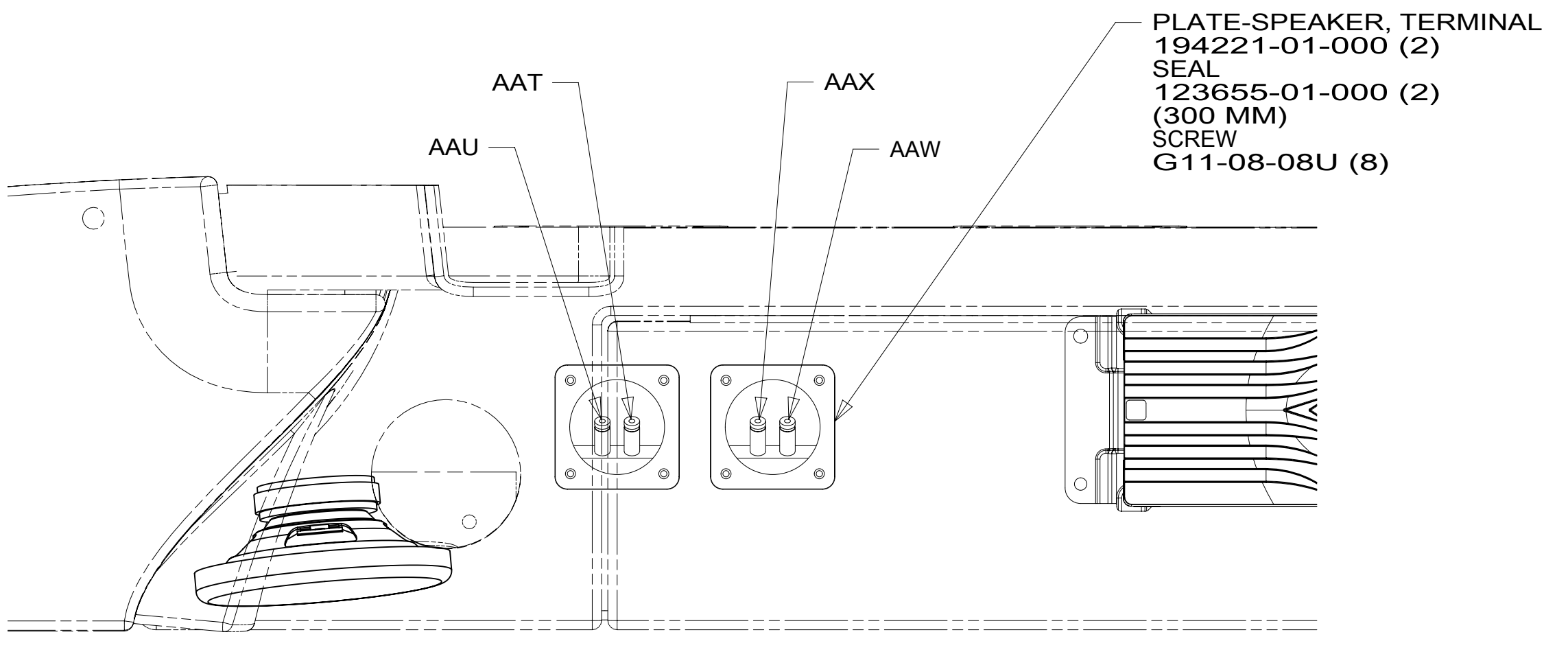
FOR ELECTRICAL TORQUE SPECIFICATIONS SEE DWG NO. 128783-01-000

FOR ELECTRICAL CALLOUTS SEE DWG NO. 121339-01-000

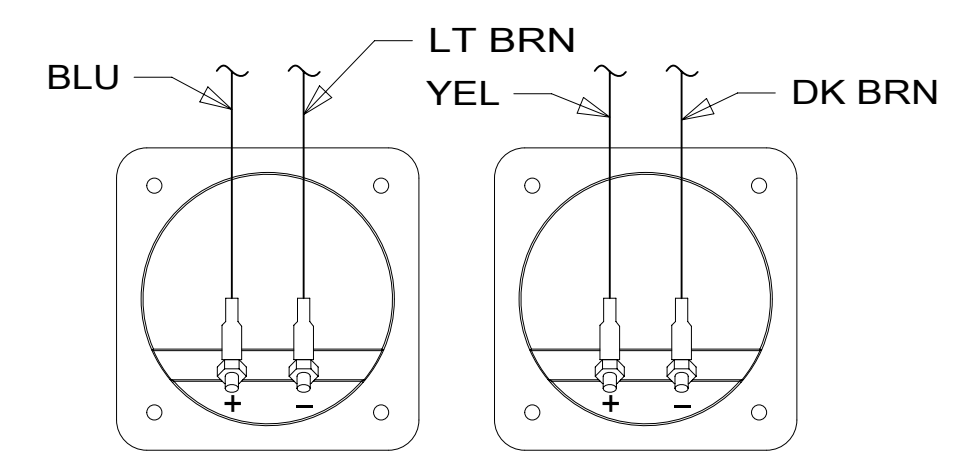
DESCRIPTION:		1B1 265	
WIRING INSTL-FRONT END			
SHEET:	ITEM/PART NO.:	REV	
8 OF 9	000210147 / 30122701000	1 07-Oct-2016	

8 7 6 5 4 3 2 1

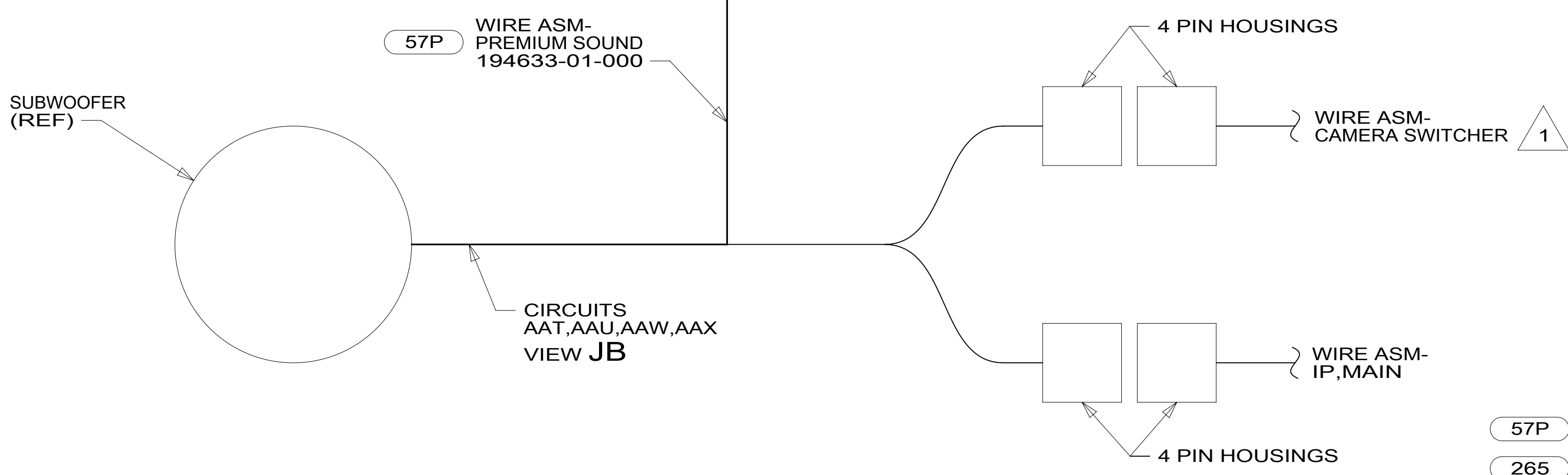
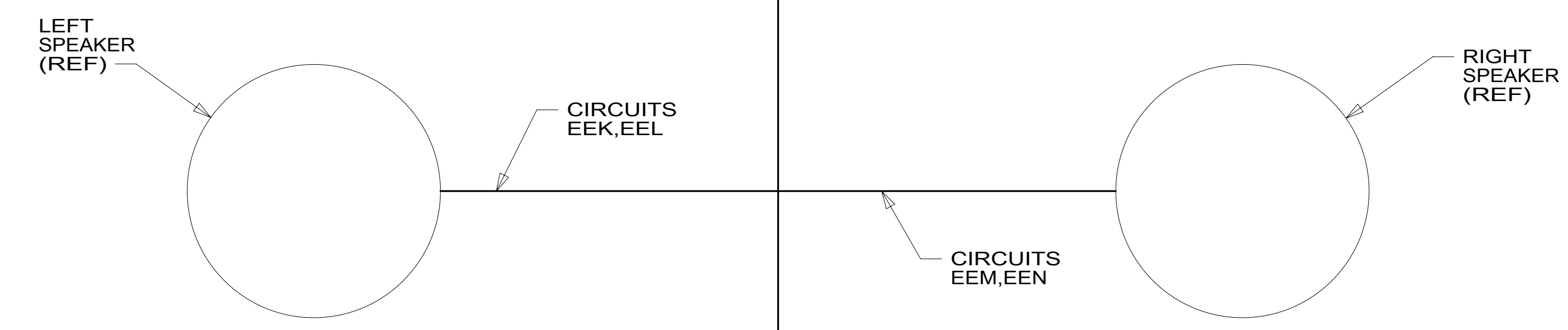
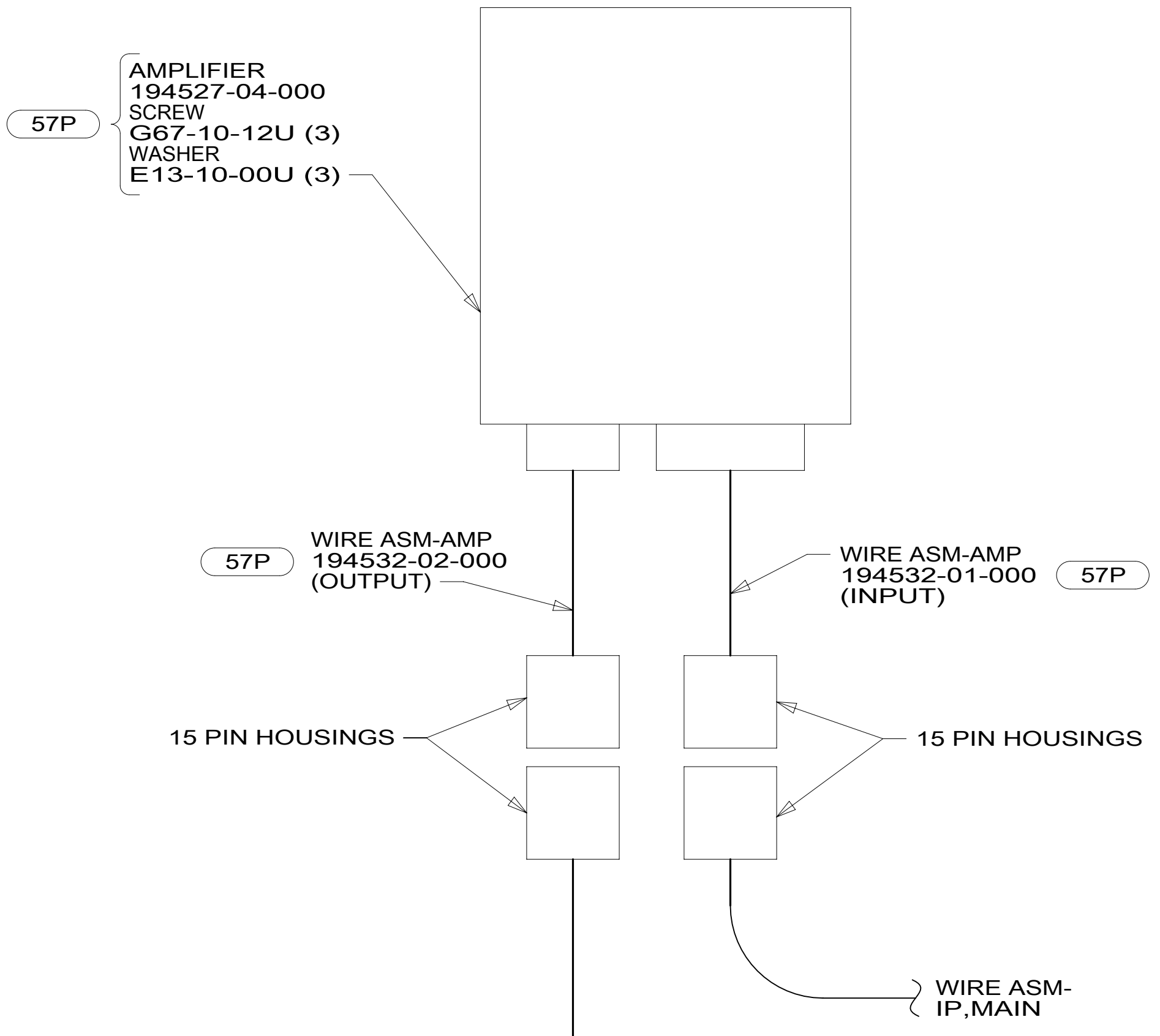
8 7 6 5 4 3 2 1



VIEW JB 57P



DETAIL JC 57P



DETAIL JA 57P

- 57P RADIO SPEAKERS-PREMIUM SOUND
- 265 CODES/STANDARDS-CSA/CMVSS
- 1B1 CODES/STANDARDS USA

FOR ELECTRICAL
TORQUE
SPECIFICATIONS
SEE DWG NO.
128783-01-000

FOR ELECTRICAL
CALLOUTS
SEE DWG NO.
121339-01-000

DESCRIPTION: WIRING INSTL-FRONT END	
SHEET: 9 OF 9	ITEM/PART NO: 000210147 / 30122701000
REV 1 07-Oct-2016	

1 SEE SHEET 5 FOR ADDITIONAL INFORMATION.
NOTES:

8 7 6 5 4 3 2 1