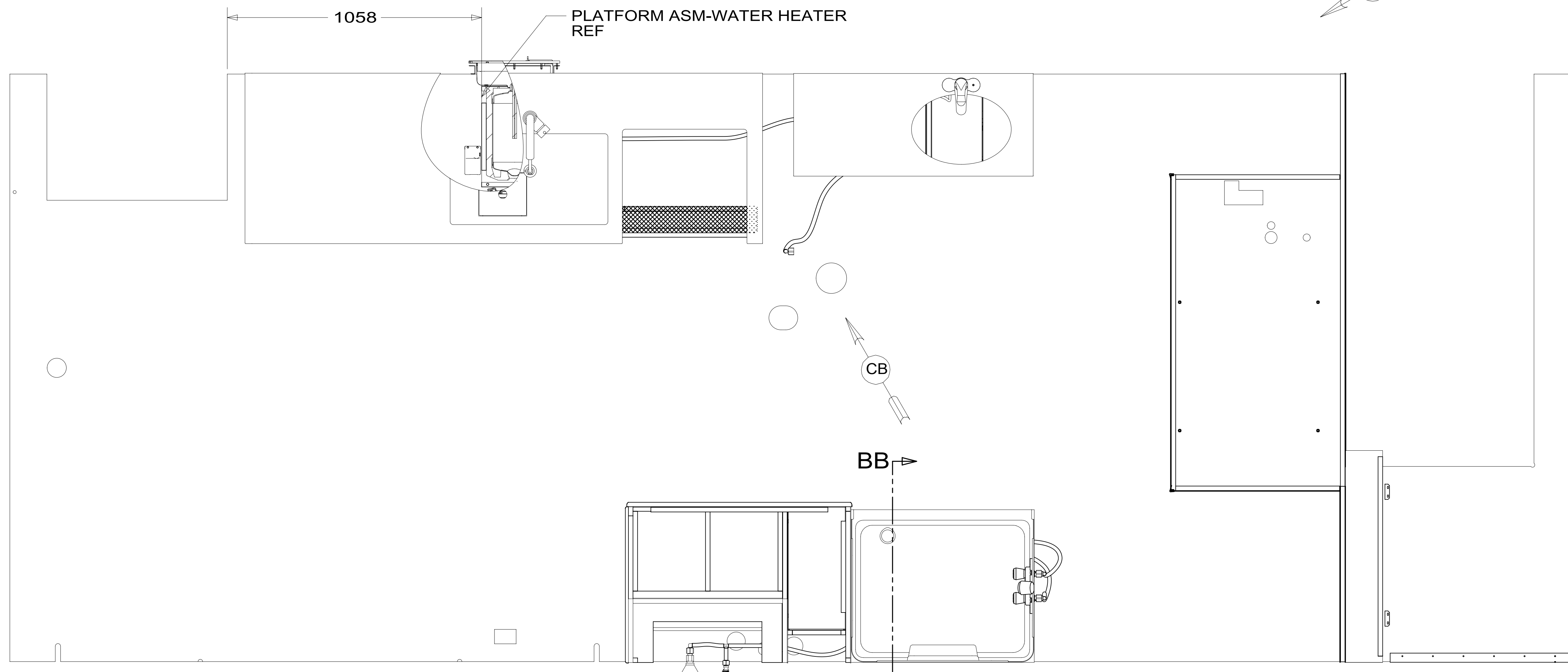


REV	ZONE	REVISION RECORD	DATE	DFTR-ORIG
A	---	INITIAL RELEASE	11/03/15	3660



8. ALL CRIMP FITTINGS TO PEX TUBING REQUIRE 1/2" CLAMP 140171-03-000.
7. ALL CRIMP FITTINGS TO PEX TUBING REQUIRE 5/8" CLAMP 140171-04-000.
- 6 LABEL HOT AND COLD SUPPLY TUBES AND TAPE FITTING TO TUBE BEFORE CABINET SET TO PREVENT MOVEMENT.
- 5 ADD PIPE WRAP (LADDER SCRAP 110157-02-000) INSULATION.
- 4 ADD TEFLON TAPE 010405-02-000.
3. ALL TUBING TO BE SECURED AT 1200 INTERVALS MAXIMUM WITH CLAMP 010495-01-000 AND SCREW 000G67-10-12U OR EQUIVALENT.
2. TUBING TO BE INSTALLED WITH SUFFICIENT SLOPE TO PROVIDE DRAINAGE TO NEAREST VALVE.
1. PLASTIC FITTINGS TO BE SEALED WITH SEALANT 084456-01-000.

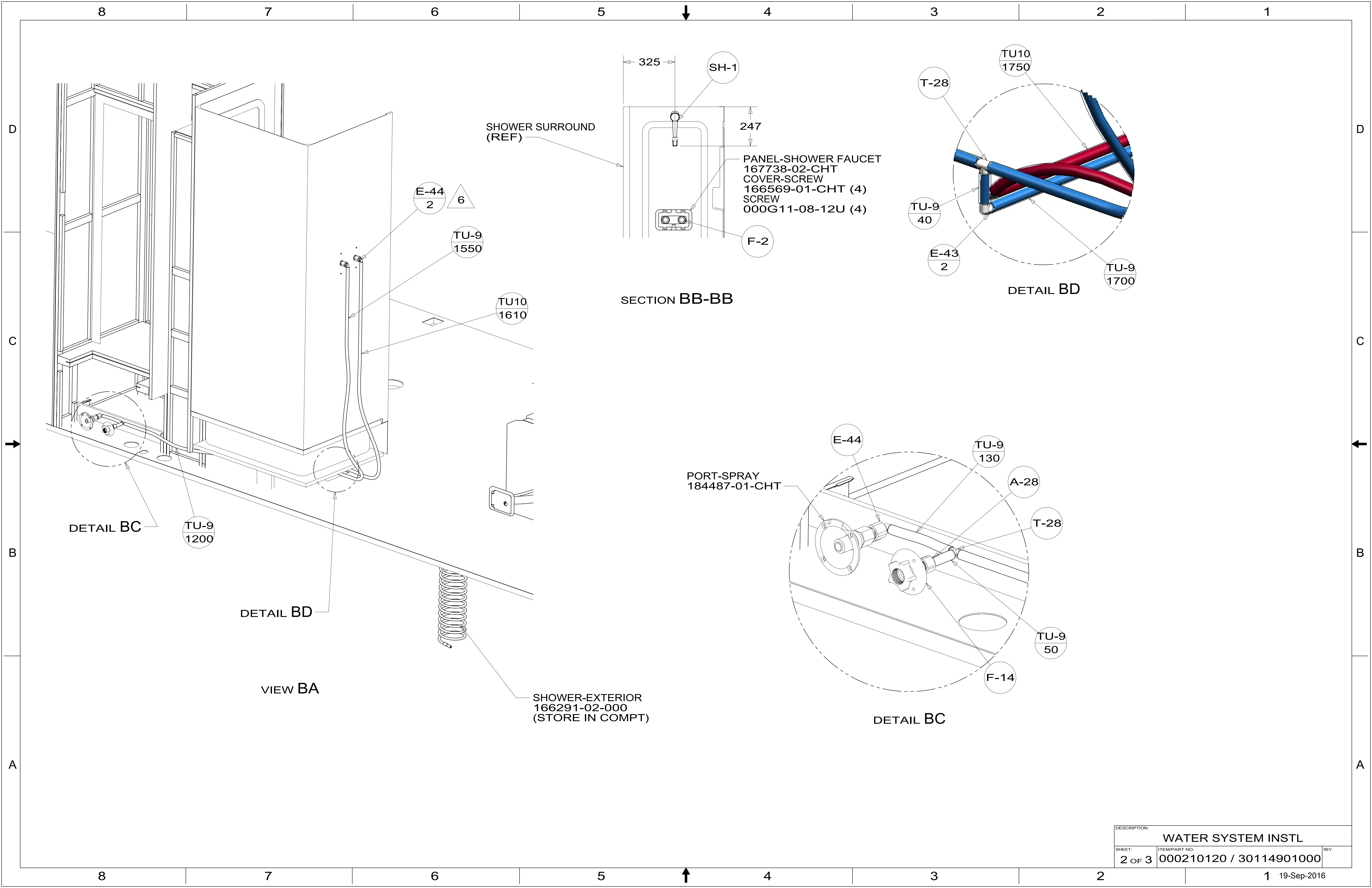
NOTES:

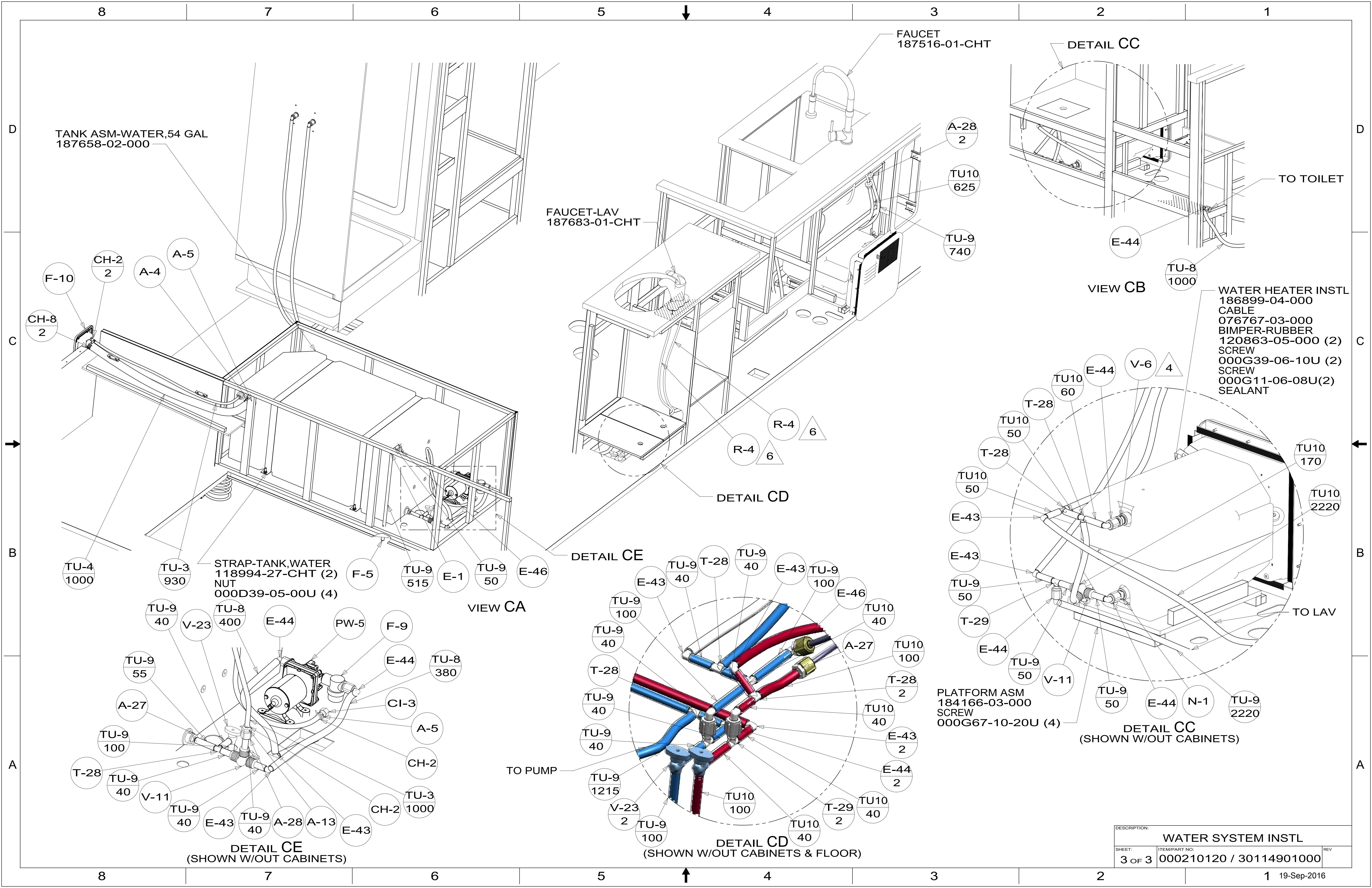
X-X

FOR WATER CALLOUTS SEE DWG NO. 116230-01-000

WINNEBAGO[®]
COPYRIGHT 2016 WINNEBAGO INDUSTRIES, INC.

DSNR:		ALL DIMENSIONS ARE IN MILLIMETERS	
DFTR:		MATERIAL:	
UNSPECIFIED TOLERANCES:			
WHOLE DIM (X)	± 3		
ONE-PLACE (X.X)	± 1.5		
TWO-PLACE (X.XX)	± 0.50		
ANGLE	± 1°		
REFER TO ES0018 FOR FASTENER TIGHTENING GUIDELINES	WEIGHT: (LBS)	FIRST USED: (REF)	
DESCRIPTION: WATER SYSTEM INSTL			
SHEET: 1 OF 3	ITEM/PART NO: 000210120 / 30114901000	REV:	





TANK ASM-WATER,54 GAL
187658-02-000

FAUCET-LAV
187683-01-CHT

FAUCET
187516-01-CHT

DETAIL CC

WATER HEATER INSTL
186899-04-000
CABLE
076767-03-000
BIMPER-RUBBER
120863-05-000 (2)
SCREW
000G39-06-10U (2)
SCREW
000G11-06-08U(2)
SEALANT

STRAP-TANK,WATER
118994-27-CHT (2)
NUT
000D39-05-00U (4)

PLATFORM ASM
184166-03-000
SCREW
000G67-10-20U (4)

DETAIL CE
(SHOWN W/OUT CABINETS)

DETAIL CD
(SHOWN W/OUT CABINETS & FLOOR)

DETAIL CC
(SHOWN W/OUT CABINETS)

DESCRIPTION: WATER SYSTEM INSTL		
SHEET: 3 OF 3	ITEM/PART NO: 000210120 / 30114901000	REV