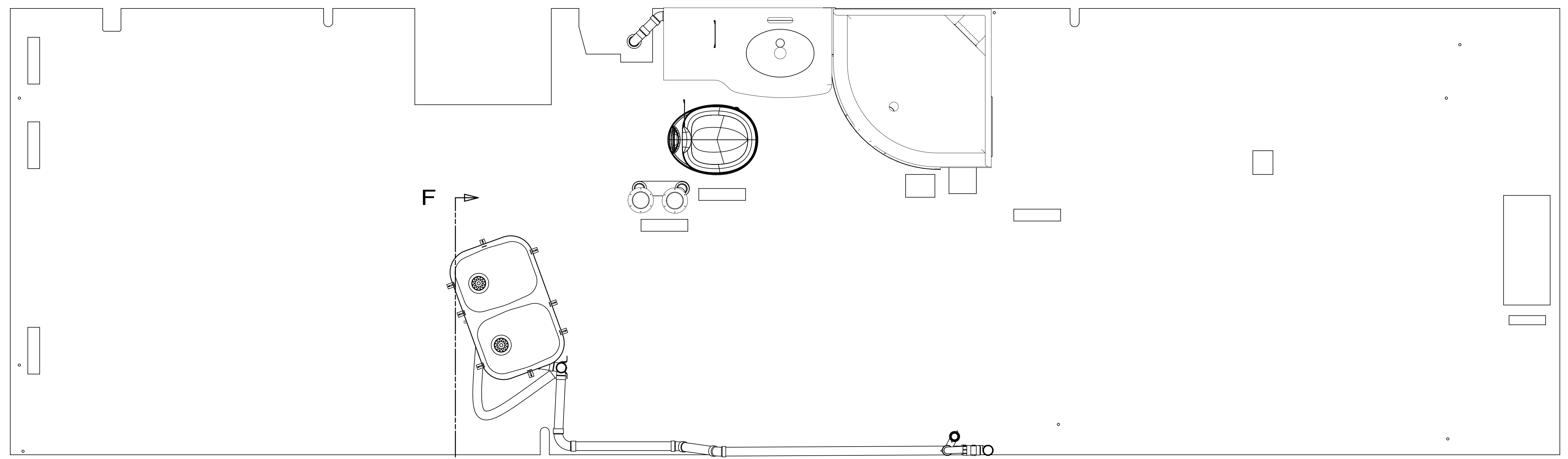


REV	ZONE	REVISION RECORD	DATE	DFTR-ORIG
A	---	INITIAL RELEASE	11/2/15	4799



- NOTES:
11. GLUE FITTING AFTER CABINET IS INSTALLED.
  10. APPLY PRIMER 126427-02-000 AND CEMENT 126427-01-000 BETWEEN ELBOW AND FLEX PIPE.
  9. SEE DRAWING 061607 FOR INSTALLATION OF GROMMETS.
  8. SECURE DRAINAGE PIPES TO CABINET USING WIRE TIE 108046-02-000, AND SCREW 000G67-10-12U AT INTERVALS OF NOT MORE THAN 4 FEET APART.
  7. SECURE VENT PIPE TO TANK WITH CLAMP 062401-02-000.
  6. VENT PIPE MUST PROJECT 51 MIN AND 64 MAX ABOVE ROOF FOR PROPER FIT AND FUNCTION. ADD S-1 (116666-01-CHT SEAL-VENT PIPE) AROUND PIPE ON ROOF BEFORE VENT CAP IS INSTALLED.
  5. SEAL AROUND SHOWER WITH SILICONE.
  4. USE SMOOTH PLUMBERS PUTTY 167459-01-000 TO SEAL STRAINER (0.2 PER STRAINER).
  3. ALL PIPE AND FITTINGS TO BE ASSEMBLED WITH SOLVENT 004020-01-000 (USA), 004020-02-000 (CAN)
  2. SLOPE OF TRAP ARM MUST BE 6 PER 305 mm.
  1. SLOPE OF HORIZONTAL PIPING TO BE MINIMUM OF 3 PER 305 mm.

- (21S) WASHER & DRYER-PAIR
- (21M) WASHER/DRYER PREP
- (1B1) CODES/STANDARDS USA
- (265) CODES/STANDARDS-CSA/CMVSS



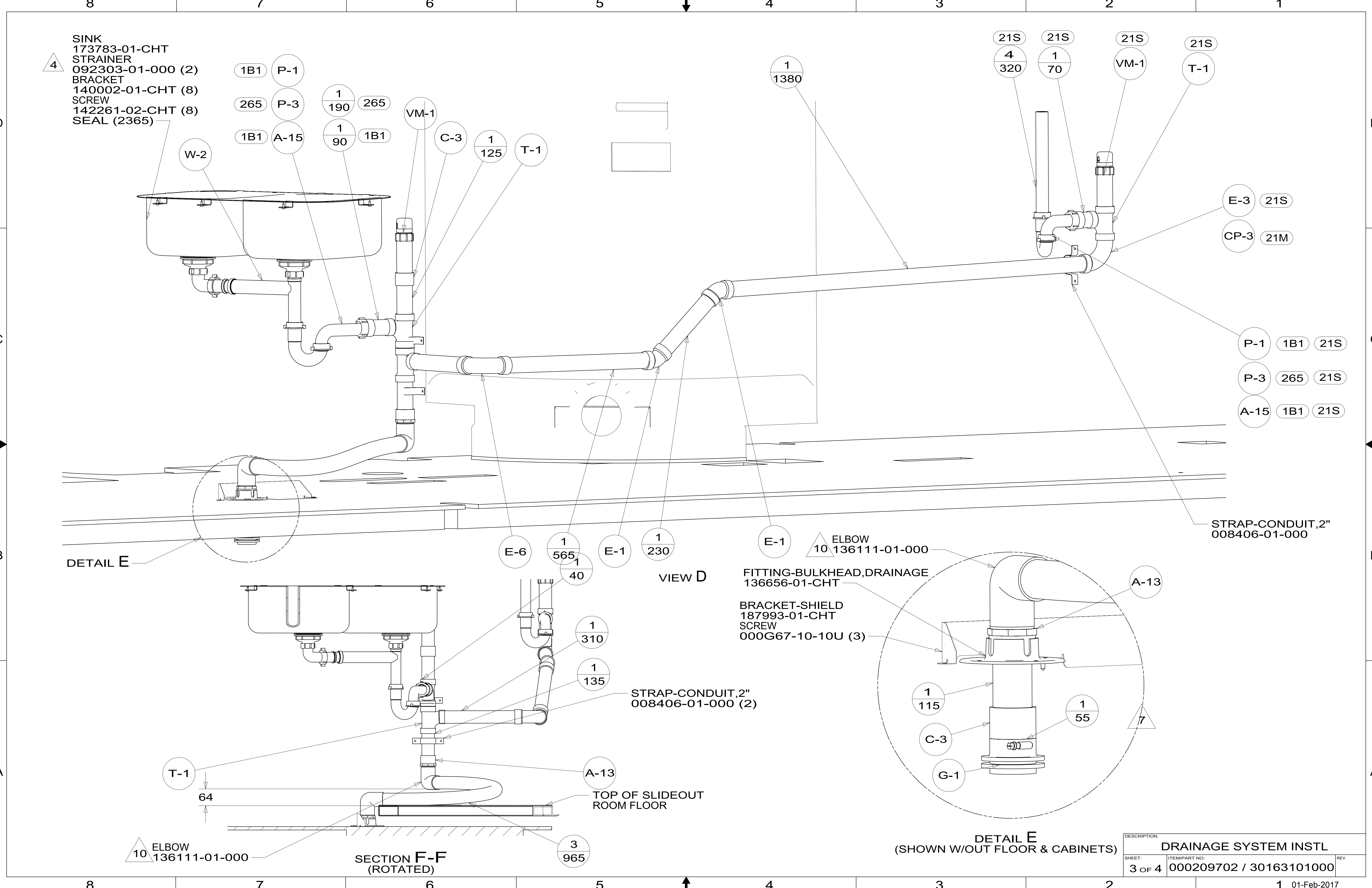
DSNR:		ALL DIMENSIONS ARE IN MILLIMETERS	
DFTR:		MATERIAL:	
UNSPECIFIED TOLERANCES:			
WHOLE DIM (X)	3		
ONE-PLACE (X.X)	1.5		
TWO-PLACE (X.XX)	0.50		
ANGLE	1°		
REFER TO ES0018 FOR FASTENER TIGHTENING GUIDELINES		WEIGHT: (LBS)	FIRST USED: (REF)

X-X  
FOR DRAINAGE CALLOUTS SEE DWG NO. 116229-01-000

<b>DESCRIPTION:</b>		
<b>DRAINAGE SYSTEM INSTL</b>		
SHEET:	ITEM/PART NO.:	REV:
1 OF 4	000209702 / 30163101000	
REF:		1 01-Feb-2017



SINK  
 173783-01-CHT  
 STRAINER  
 092303-01-000 (2)  
 BRACKET  
 140002-01-CHT (8)  
 SCREW  
 142261-02-CHT (8)  
 SEAL (2365)



4

1B1 P-1

265 P-3

1B1 A-15

1 190 265

1 90 1B1

VM-1

C-3

1 125 T-1

1 1380

21S 4 320

21S 1 70

21S VM-1

21S T-1

E-3 21S

CP-3 21M

P-1 1B1 21S

P-3 265 21S

A-15 1B1 21S

STRAP-CONDUIT, 2" 008406-01-000

DETAIL E

E-6 1 565 40

E-1 1 230

E-1 ELBOW 10 136111-01-000

FITTING-BULKHEAD, DRAINAGE 136656-01-CHT

BRACKET-SHIELD 187993-01-CHT  
SCREW 000G67-10-10U (3)

STRAP-CONDUIT, 2" 008406-01-000 (2)

1 310

1 135

T-1 64

A-13

TOP OF SLIDEOUT ROOM FLOOR

3 965

10 ELBOW 136111-01-000

SECTION F-F (ROTATED)

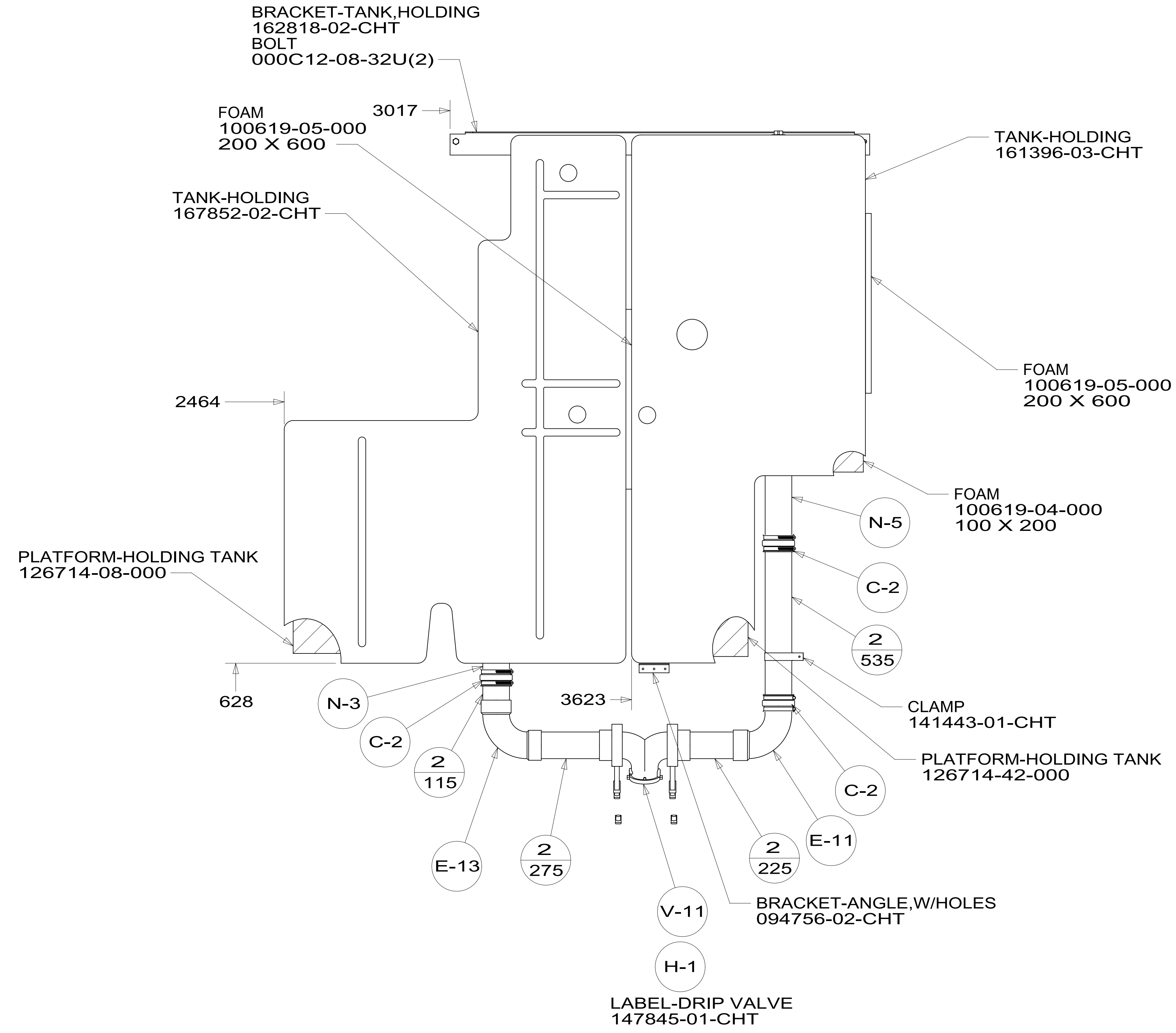
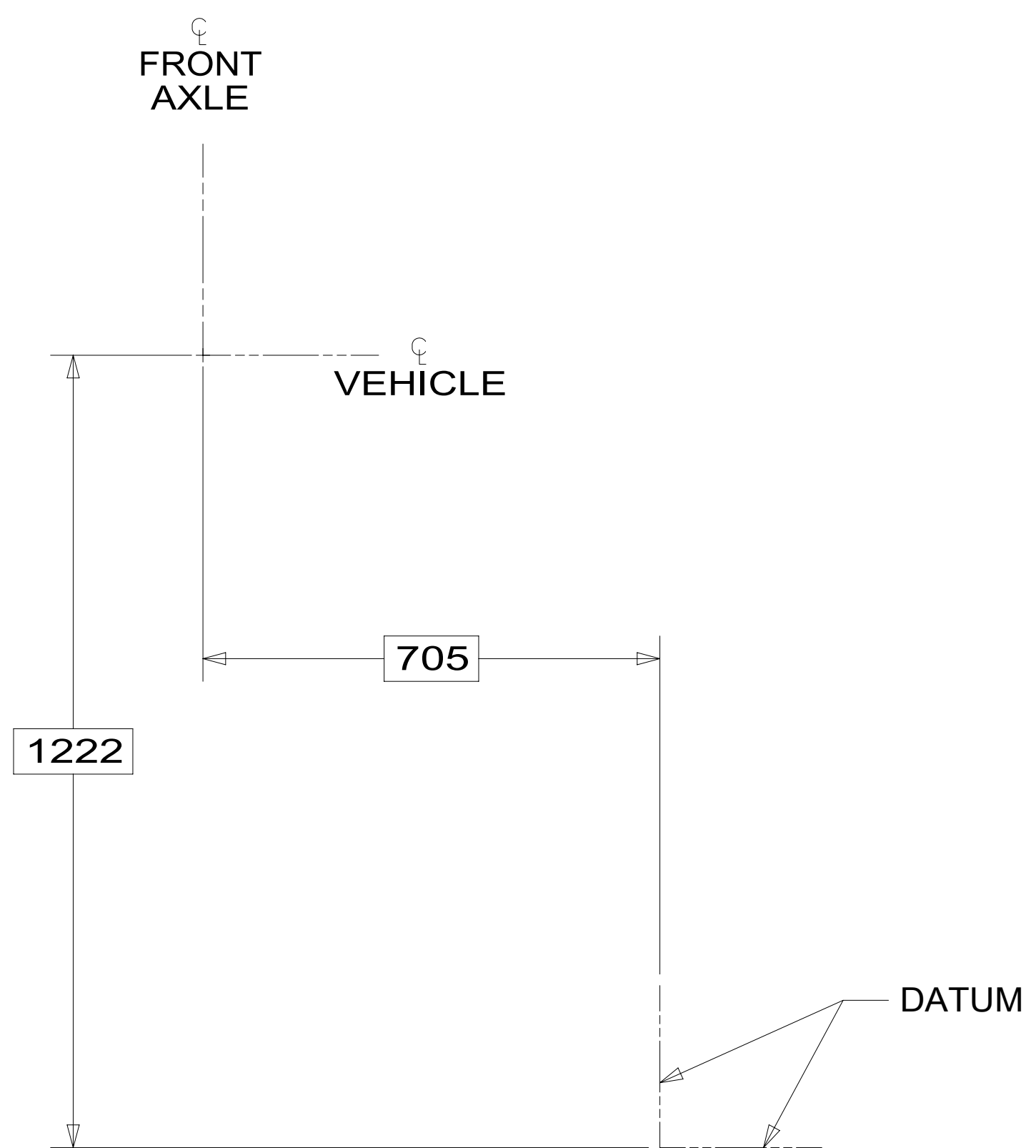
DETAIL E (SHOWN W/OUT FLOOR & CABINETS)

DESCRIPTION:		DRAINAGE SYSTEM INSTL	
SHEET:	ITEM/PART NO.:	REV:	
3 OF 4	000209702 / 30163101000		

8 7 6 5 4 3 2 1

D  
C  
B  
A

D  
C  
B  
A



TOP VIEW  
(SHOWING ONLY TANKS & DRAINS)

DESCRIPTION: <b>DRAINAGE SYSTEM INSTL</b>		
SHEET: 4 OF 4	ITEM/PART NO: 000209702 / 30163101000	REV
		1 01-Feb-2017

8 7 6 5 4 3 2 1