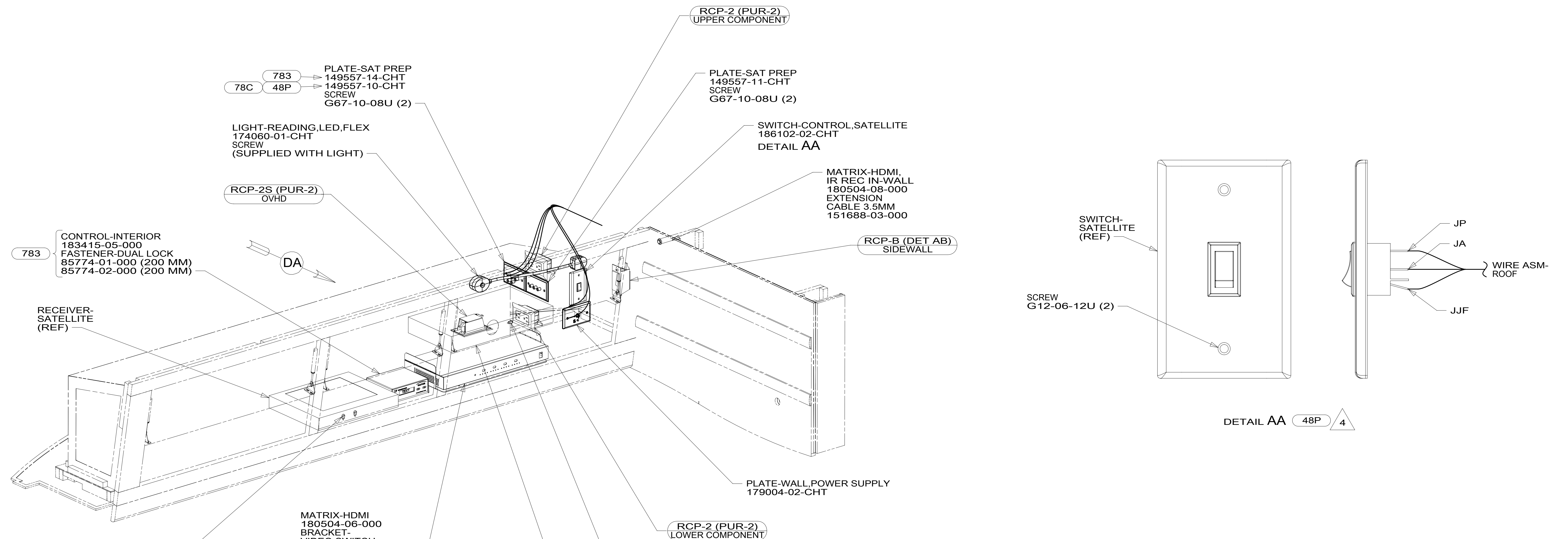


8 7 6 5 4 3 2 1

D
C
B
A



FOR ELECTRICAL TORQUE SPECIFICATIONS SEE DWG NO. 128783-01-000

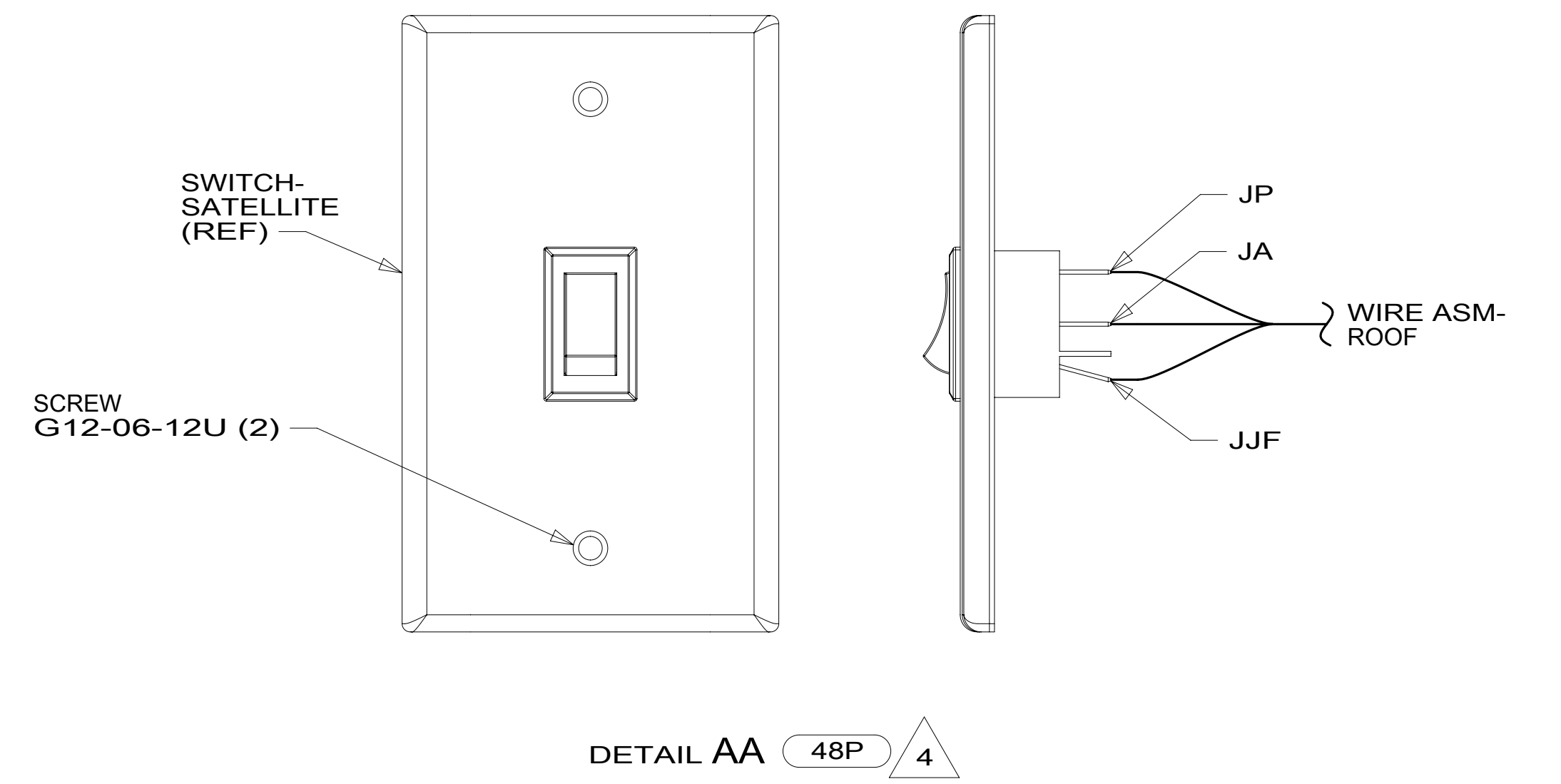
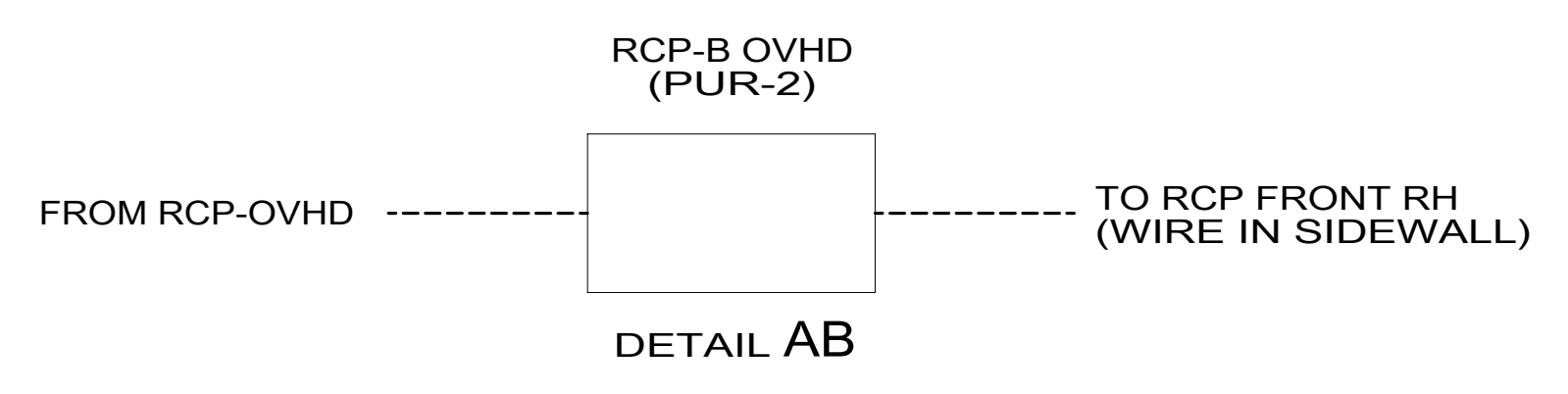
FOR ELECTRICAL CALLOUTS SEE DWG NO. 121339-01-000

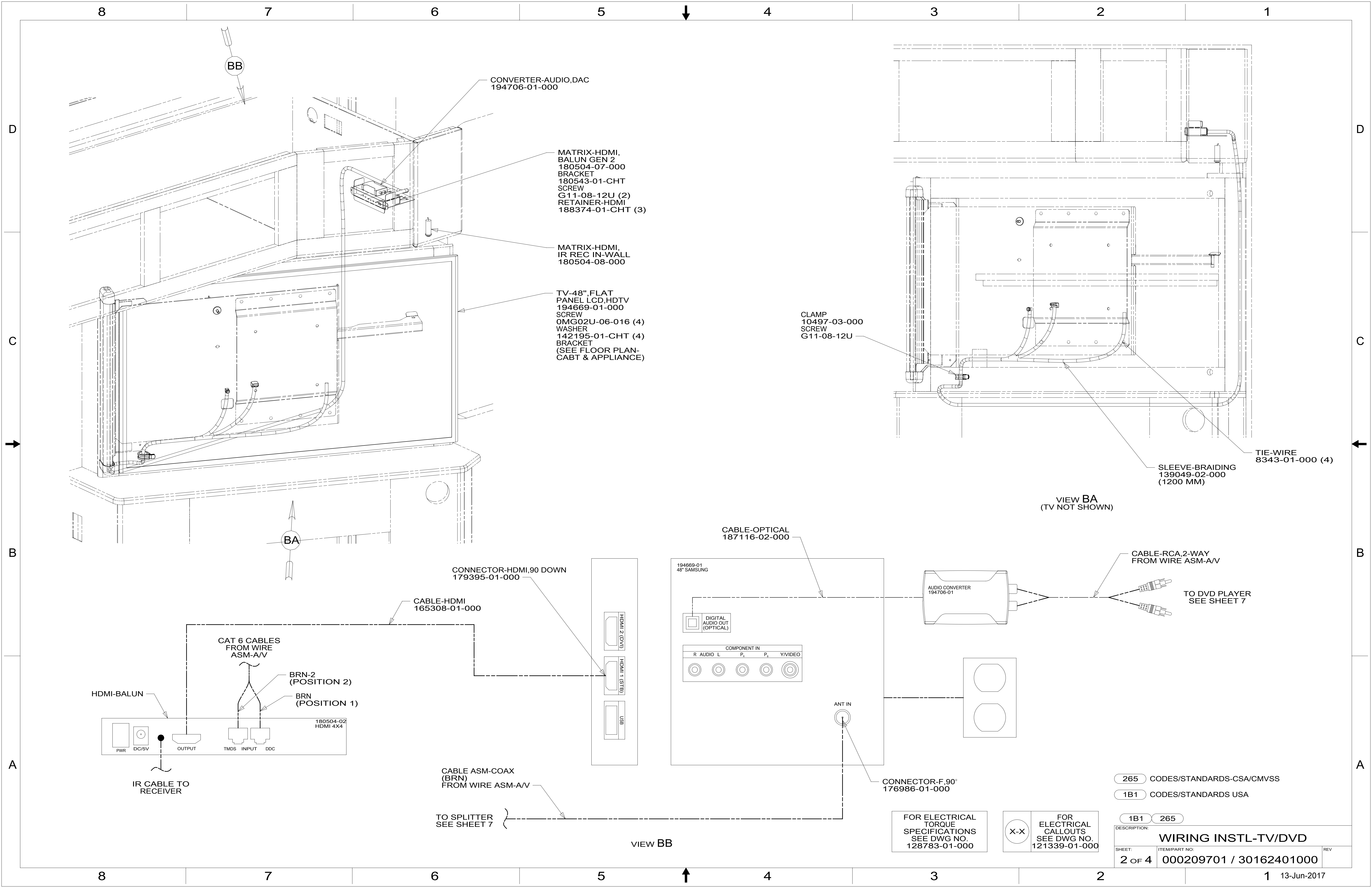
- 783 SATellite HD TV SYSTEM AUTOC
- 25M HOME THEATER SYSTEM, BLU-RAY
- 48P SAT TV SYSTEM IN-MOTION
- 78C SATellite SYSTEM READY
- 265 CODES/STANDARDS-CSA/CMVSS
- 1B1 CODES/STANDARDS USA

- 6 SET DVD PLAYER FOR AUDIO ON HDMI AND MAX VIDEO OUTPUT TO 1080i.
- 5 PLACE I.R.E. IN FRONT OF THE BLU-RAY PLAYER AS SHOWN. (150 MM FROM RIGHT SIDE)
- 4 SEE ROOF ASM FOR ADDITIONAL INFORMATION.
- 3. WHERE WIRES PASS THROUGH HOLES IN STEEL AND NOT OTHERWISE PROTECTED, USE GROMMET 92908-02-000.
- 2. ALL WIRES TO BE SECURED WITH CLAMP 10495-01-000 OR CLIP 80734-01-000 EVERY 600MM. USE SCREW G67-10-12U UNLESS OTHERWISE SPECIFIED.
- 1. 110V WIRE TO BE CLAMPED WITH CLAMP 10497-05-000 WITHIN 200MM OF OUTLET BOXES, USE SCREW G67-10-12U.

WINNEBAGO
COPYRIGHT 2016 WINNEBAGO INDUSTRIES, INC.

DSNR:	ALL DIMENSIONS ARE IN MILLIMETERS
DFFR:	
UNSPECIFIED TOLERANCES:	MATERIAL:
WHOLE DIM (X) : 3	
ONE-PLACE (X.X) : 1.5	
TWO-PLACE (X.XX) : 0.50	
ANGLE : 1°	
REFER TO ES0018 FOR FASTENER TIGHTENING GUIDELINES	WEIGHT: (LBS) FIRST USED: 16 J38Q
DESCRIPTION: WIRING INSTL-TV/DVD	
SHEET: 1 OF 4	ITEM/PART NO: 000209701 / 30162401000
REF:	1 13-Jun-2017





CONVERTER-AUDIO,DAC
194706-01-000

MATRIX-HDMI,
BALUN GEN 2
180504-07-000
BRACKET
180543-01-CHT
SCREW
G11-08-12U (2)
RETAINER-HDMI
188374-01-CHT (3)

MATRIX-HDMI,
IR REC IN-WALL
180504-08-000

TV-48",FLAT
PANEL LCD,HDTV
194669-01-000
SCREW
OMG02U-06-016 (4)
WASHER
142195-01-CHT (4)
BRACKET
(SEE FLOOR PLAN-
CABT & APPLIANCE)

CLAMP
10497-03-000
SCREW
G11-08-12U

TIE-WIRE
8343-01-000 (4)

SLEEVE-BRAIDING
139049-02-000
(1200 MM)

VIEW BA
(TV NOT SHOWN)

CONNECTOR-HDMI,90 DOWN
179395-01-000

CABLE-HDMI
165308-01-000

CAT 6 CABLES
FROM WIRE
ASM-A/V

BRN-2
(POSITION 2)

BRN
(POSITION 1)

180504-02
HDMI 4X4

HDMI-BALUN

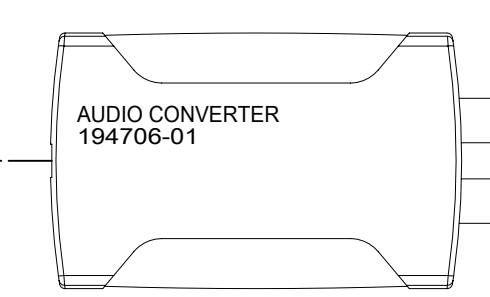
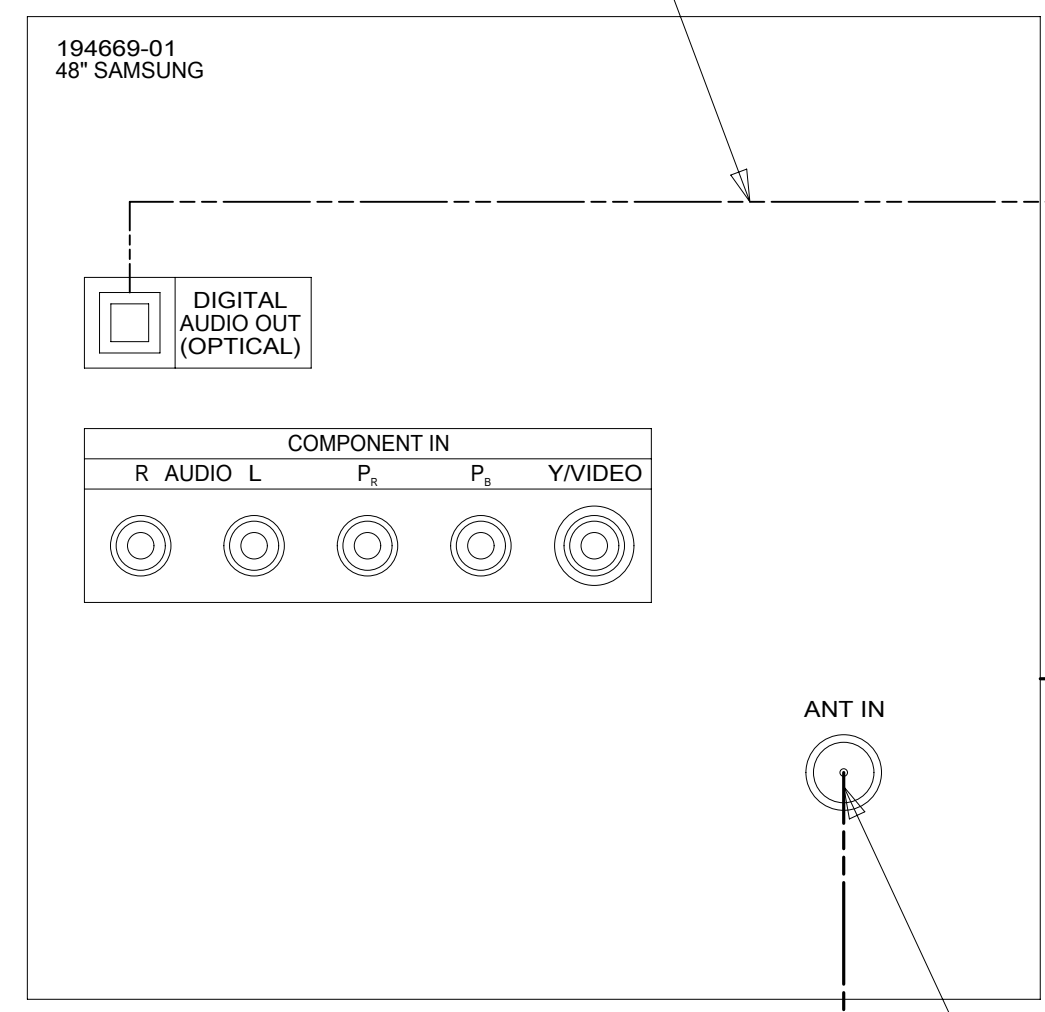
IR CABLE TO
RECEIVER

CABLE ASM-COAX
(BRN)
FROM WIRE ASM-A/V

TO SPLITTER
SEE SHEET 7

VIEW BB

CABLE-OPTICAL
187116-02-000



CABLE-RCA,2-WAY
FROM WIRE ASM-A/V

TO DVD PLAYER
SEE SHEET 7

CONNECTOR-F,90°
176986-01-000

FOR ELECTRICAL
TORQUE
SPECIFICATIONS
SEE DWG NO.
128783-01-000

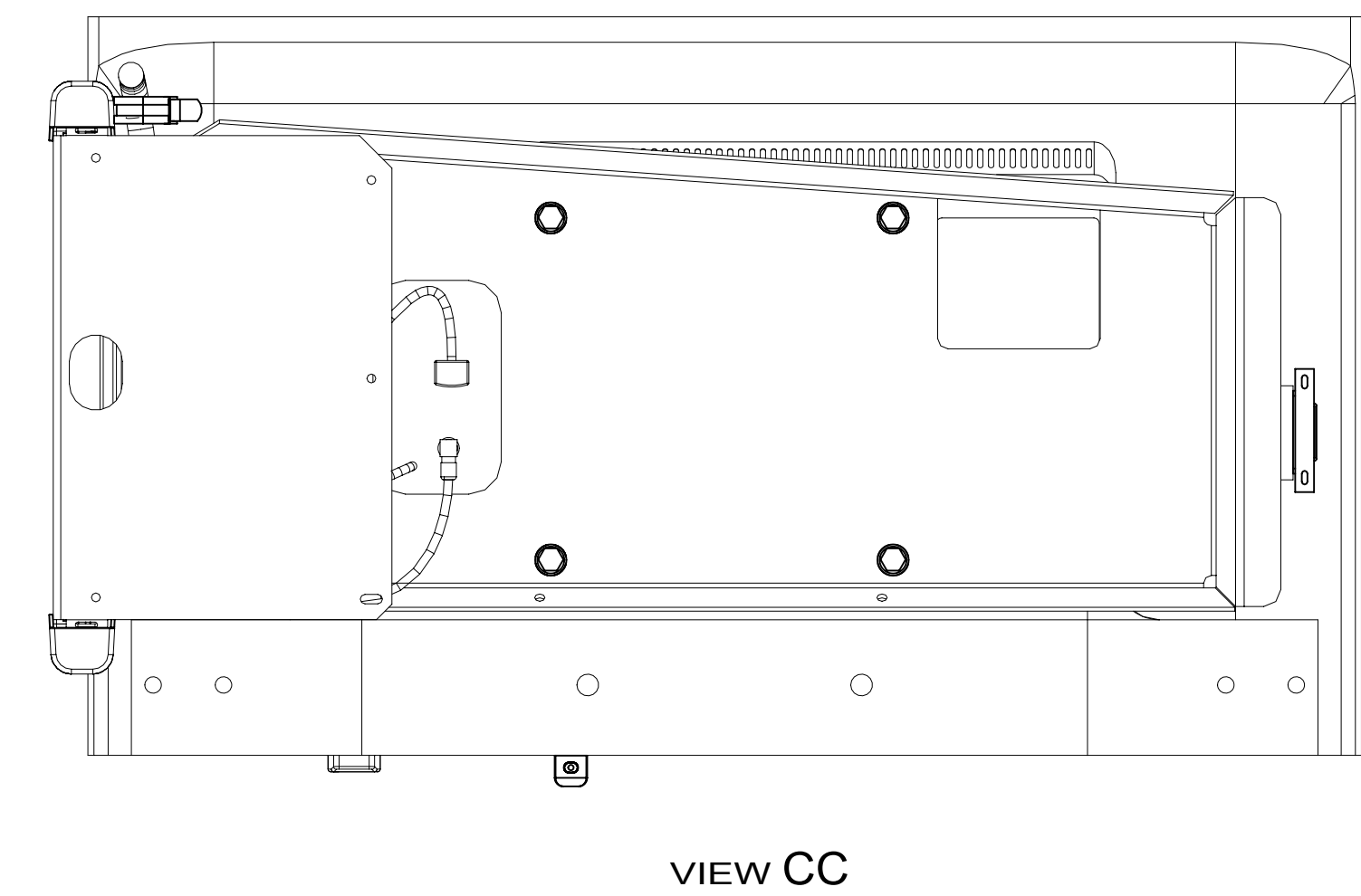
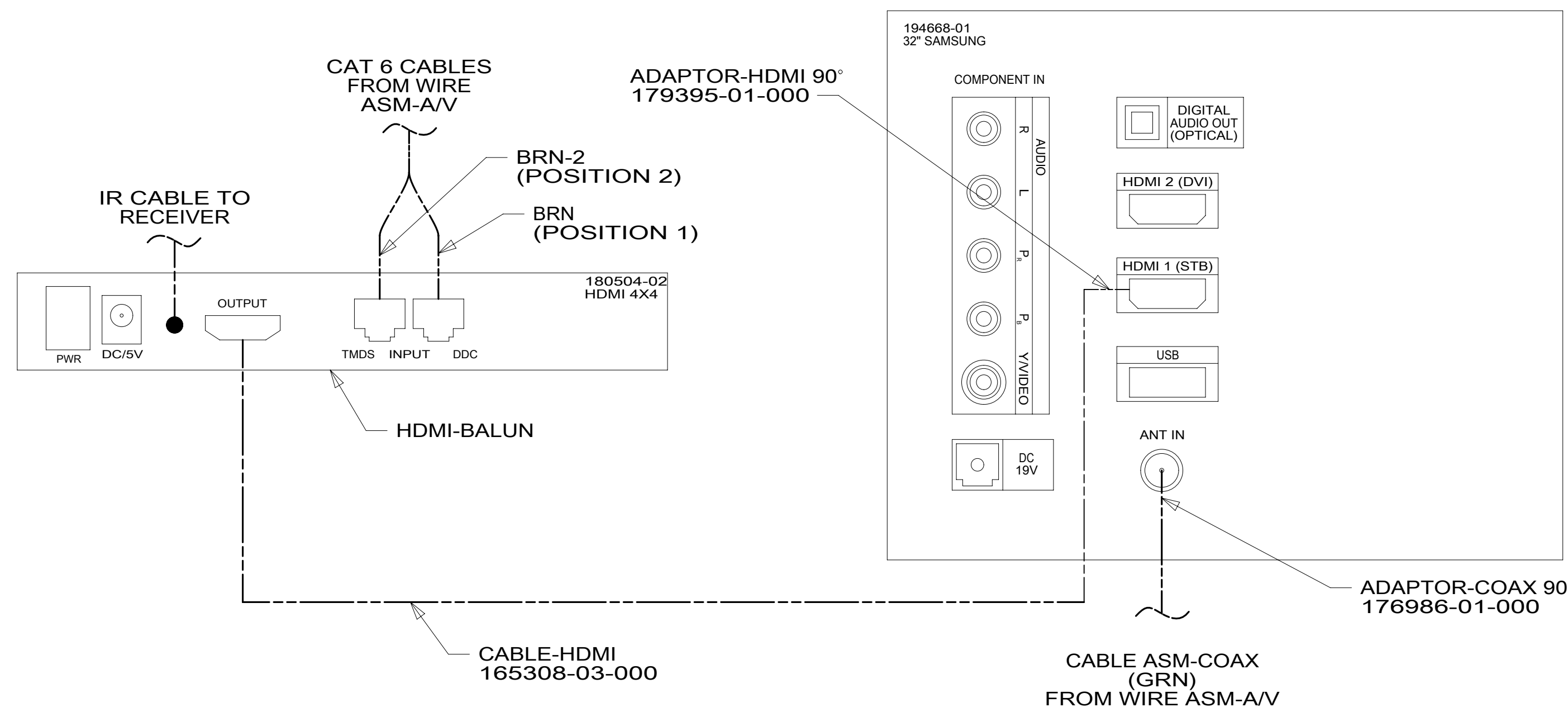
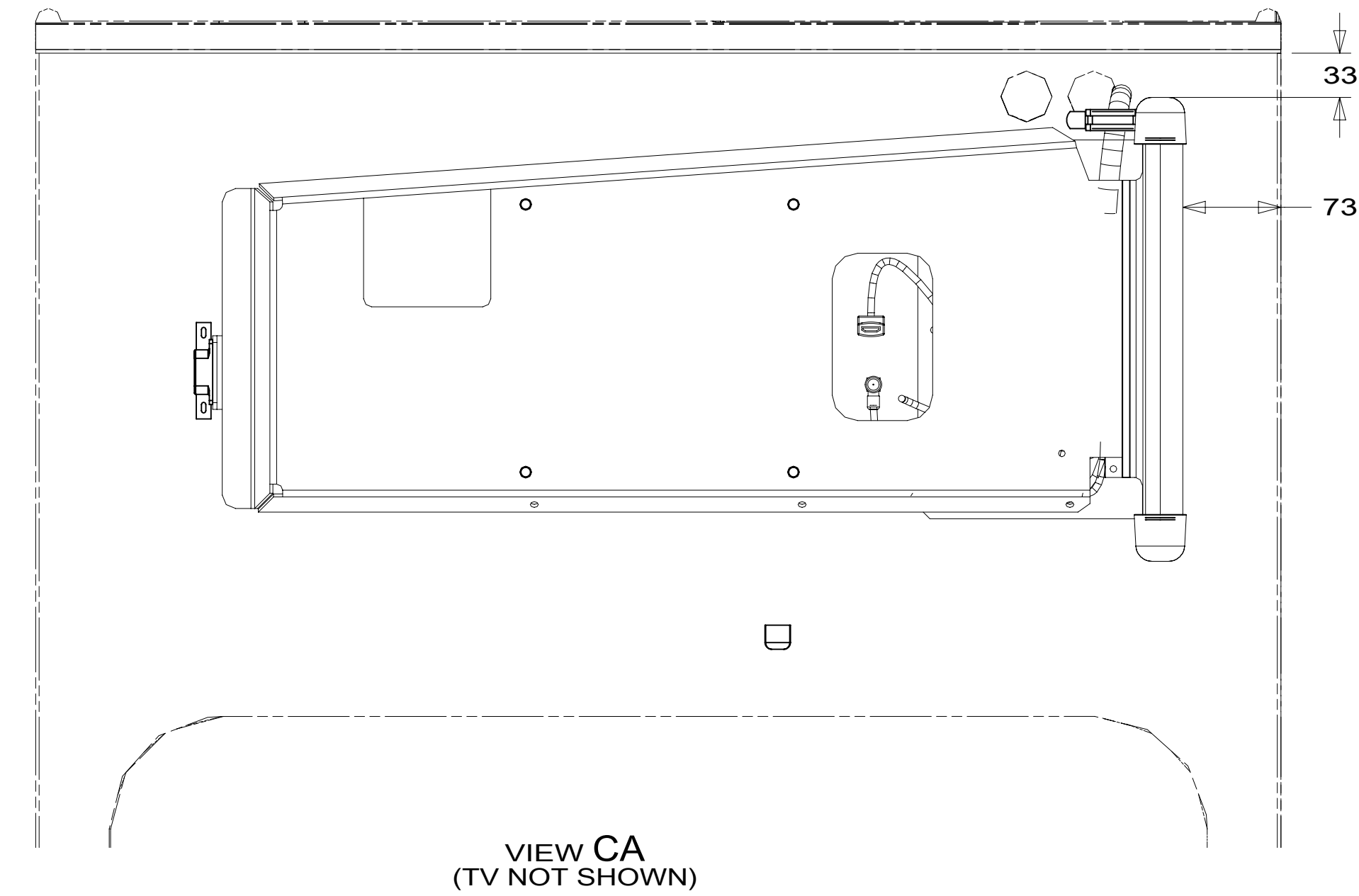
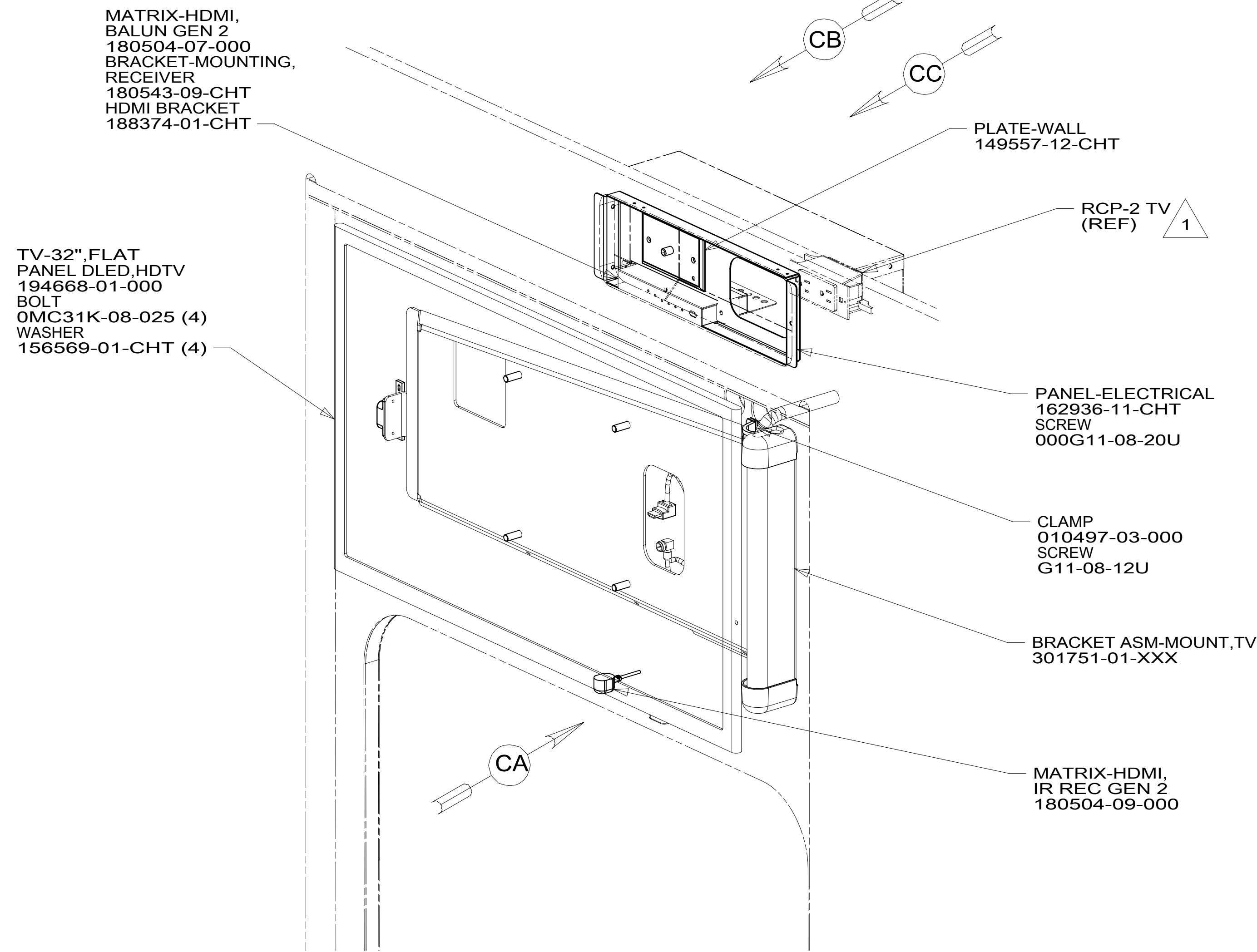
X-X

FOR ELECTRICAL
CALLOUTS
SEE DWG NO.
121339-01-000

- 265 CODES/STANDARDS-CSA/CMVSS
- 1B1 CODES/STANDARDS USA

1B1 265

DESCRIPTION: WIRING INSTL-TV/DVD		
SHEET: 2 OF 4	ITEM/PART NO: 000209701 / 30162401000	REV



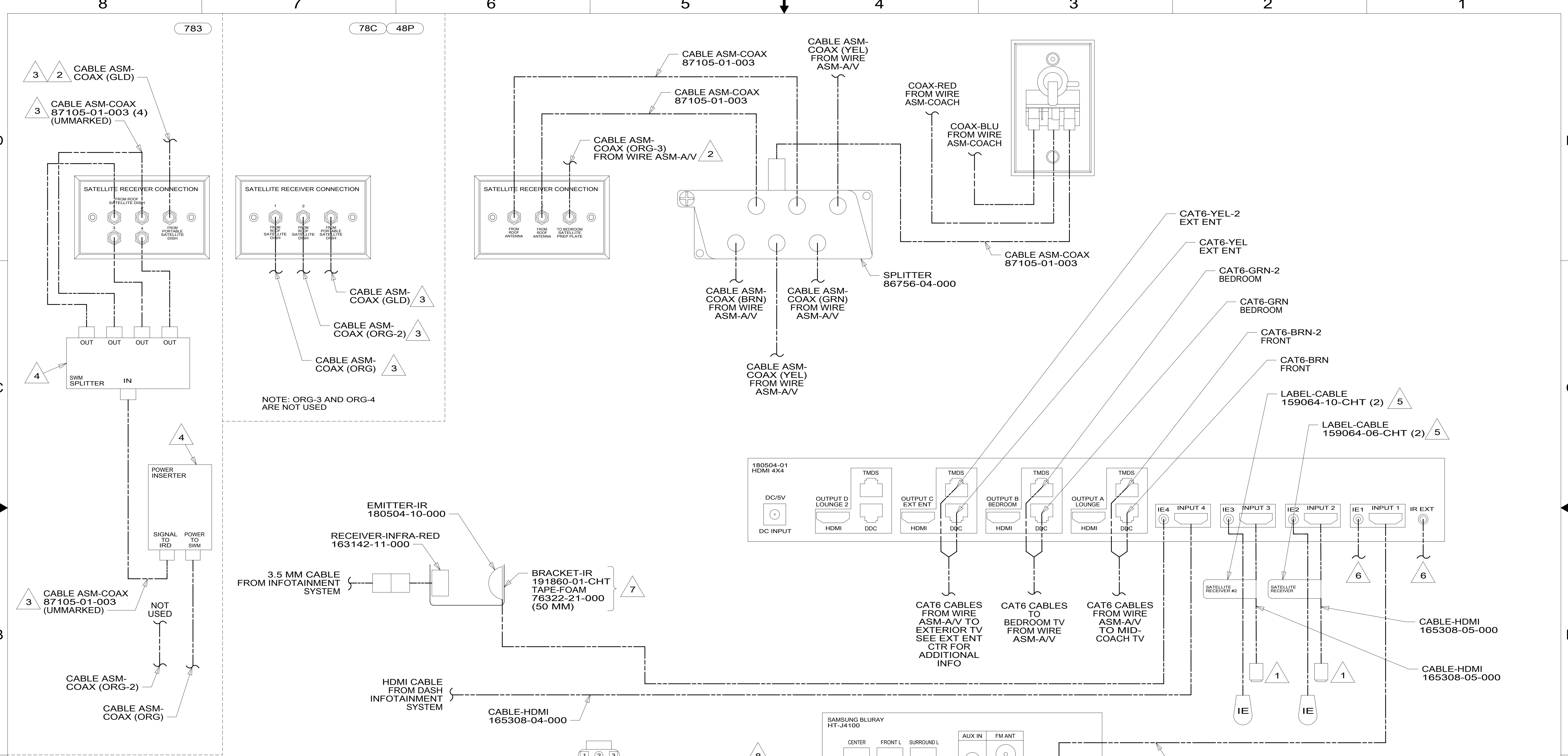
1 MOUNT RECEPTACLE TO BACK OF STEEL BOX.

FOR ELECTRICAL TORQUE SPECIFICATIONS SEE DWG NO. 128783-01-000

FOR ELECTRICAL CALLOUTS SEE DWG NO. 121339-01-000

265 CODES/STANDARDS-CSA/CMVSS
1B1 CODES/STANDARDS USA

DESCRIPTION: WIRING INSTL-TV/DVD	
SHEET: 3 OF 4	ITEM/PART NO.: 000209701 / 30162401000
REV	



- NOTES:**
- 8 CUT 150 MM CONNECTOR PIGTAIL FROM SPEAKERS (6 PLCS). SPLICE COLORED CONNECTOR PIGTAIL TO CORRESPONDING WIRE PAIR ON WIRE JUMPER. BLACK STRIPED WIRE ON CONNECTOR PIGTAIL IS NEG.
 - 7 PLACE ABOVE 4X4 MATRIX.
 - 6 SEE SHEET 1 FOR I.R. PLACEMENT.
 - 5 ATTACH LABEL 100 MM FROM END OF HDMI CABLE AND 400 MM FROM THE END OF THE IR EMITTER CABLE.
 - 4 PARTS ARE SUPPLIED WITH INTERIOR CONTROL 183415-05-000.
 - 3 CABLE CONNECTS TO REAR SIDE OF PLATE.
 - 2 CABLE ROUTED IN ROOF.
 - 1 COIL CABLE IN SATELLITE PREP AREA FOR FUTURE USE.

VIEW DA

FOR ELECTRICAL TORQUE SPECIFICATIONS SEE DWG NO. 128783-01-000

FOR ELECTRICAL CALLOUTS SEE DWG NO. 121339-01-000

- 783 SATELLITE HD TV SYSTEM AUTOC
- 78C SATELLITE SYSTEM READY
- 48P SAT TV SYSTEM IN-MOTION
- 1H5 TV, FRONT-WITHOUT
- 265 CODES/STANDARDS-CSA/CMVSS
- 1B1 CODES/STANDARDS USA

DESCRIPTION:	1B1 265 1H5	
WIRING INSTL-TV/DVD		
SHEET:	ITEM/PART NO:	REV
4 OF 4	000209701 / 30162401000	