

783 PLATE-SAT PREP  
149557-14-CHT  
149557-10-CHT  
SCREW  
G67-10-08U (2)

LIGHT-READING,LED,FLEX  
174060-01-CHT  
SCREW  
(SUPPLIED WITH LIGHT)

RCP-2S (PUR-2)  
OVHD

783 CONTROL-INTERIOR  
183415-05-000  
FASTENER-DUAL LOCK  
85774-01-000 (200 MM)  
85774-02-000 (200 MM)

RECEIVER-SATELLITE  
(REF)

TRANSMITTER-INFRARED,IMPACT  
180504-10-000 (2)  
(SATELLITE PREP)

MATRIX-HDMI  
180504-06-000  
BRACKET-VIDEO SWITCH  
156586-08-CHT  
SCREW  
G11-08-12U (4)  
RETAINER-HDMI  
188374-02-CHT (3)

RCP-2 (PUR-2)  
UPPER COMPONENT

PLATE-SAT PREP  
149557-11-CHT  
SCREW  
G67-10-08U (2)

SWITCH-CONTROL,SATELLITE  
186102-02-CHT  
DETAIL AA

MATRIX-HDMI,  
IR REC IN-WALL  
180504-08-000  
EXTENSION  
CABLE 3.5MM  
151688-03-000

RCP-B (DET AB)  
SIDEWALL

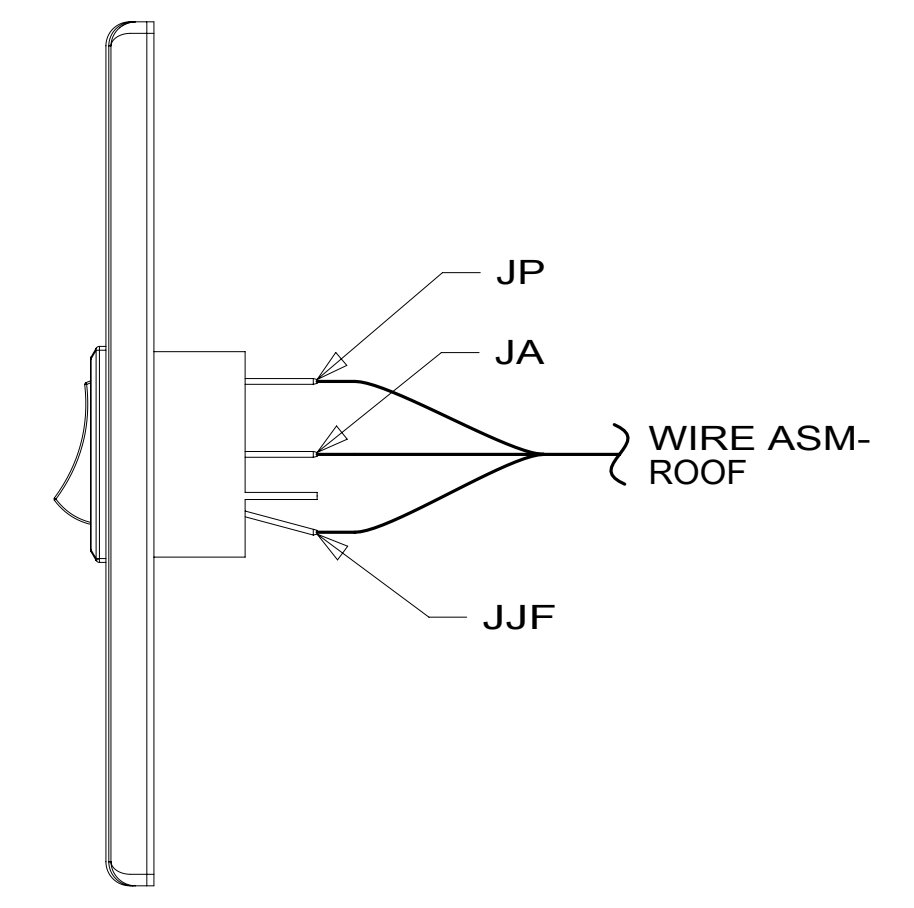
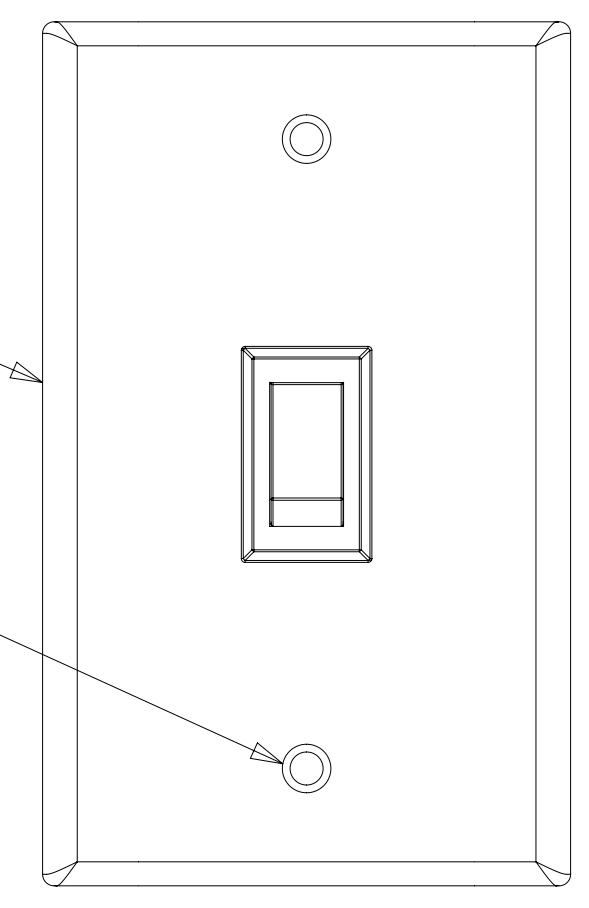
RCP-2 (PUR-2)  
LOWER COMPONENT

TRANSMITTER-INFRARED,IMPACT  
180504-10-000

BLU-RAY HOME THEATER  
000120782 / 322837-01-000  
FASTENER-DUAL LOCK  
85774-01-000  
85774-02-000

SWITCH-SATELLITE  
(REF)

SCREW  
G12-06-12U (2)



DETAIL AA 48P 4

RCP-B OVHD  
(PUR-2)



DETAIL AB

FROM RCP-OVHD ----- TO RCP FRONT RH  
(WIRE IN SIDEWALL)

FOR ELECTRICAL  
TORQUE  
SPECIFICATIONS  
SEE DWG NO.  
128783-01-000

FOR ELECTRICAL  
CALLOUTS  
SEE DWG NO.  
121339-01-000

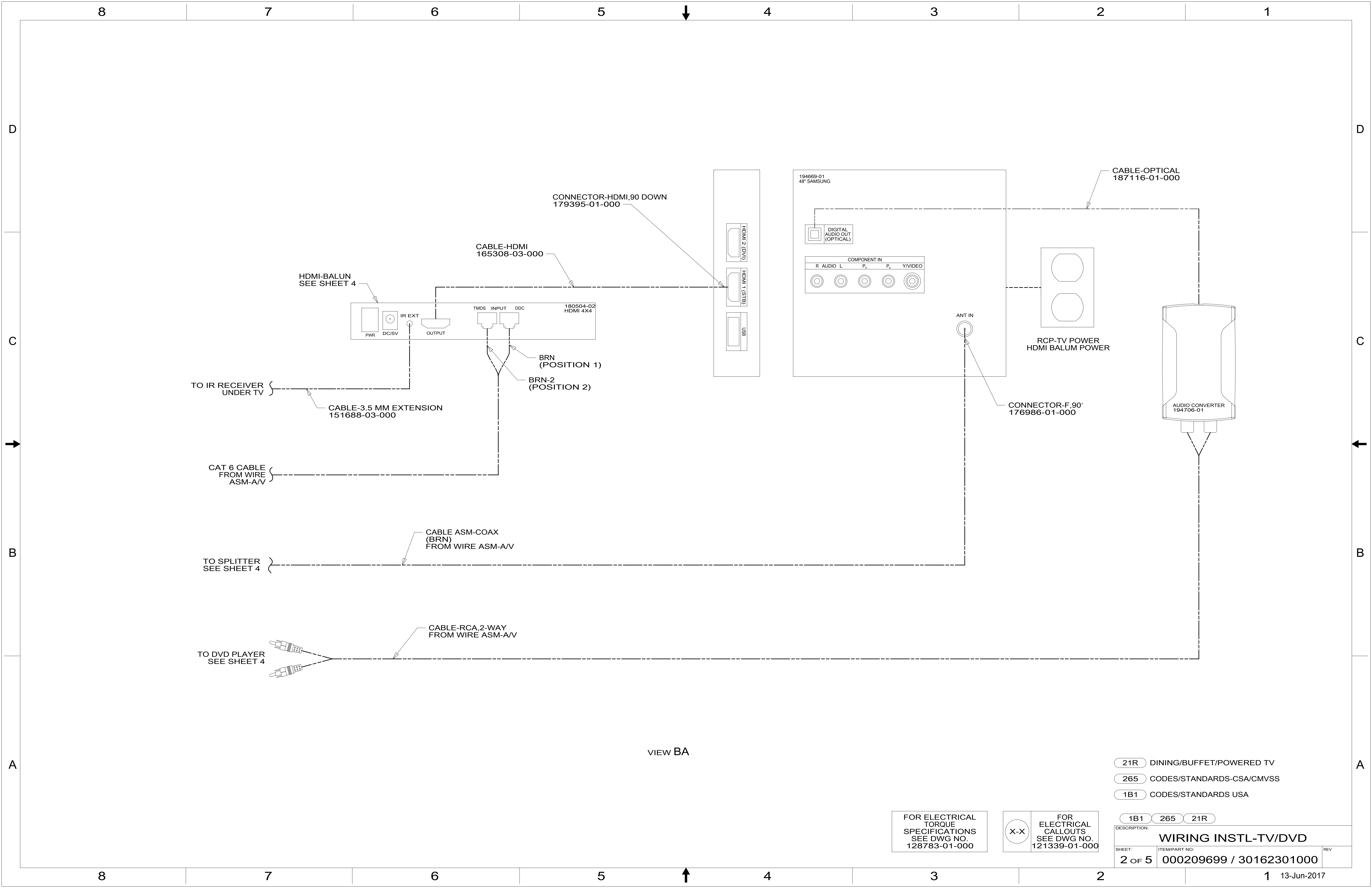
- NOTES:
- 110V WIRE TO BE CLAMPED WITH CLAMP 10497-05-000 WITHIN 200MM OF OUTLET BOXES, USE SCREW G67-10-12U.
  - ALL WIRES TO BE SECURED WITH CLAMP 10495-01-000 OR CLIP 80734-01-000 EVERY 600MM. USE SCREW G67-10-12U UNLESS OTHERWISE SPECIFIED.
  - WHERE WIRES PASS THROUGH HOLES IN STEEL AND NOT OTHERWISE PROTECTED, USE GROMMET 92908-02-000.
- 6 SET DVD PLAYER FOR AUDIO ON HDMI AND MAX VIDEO OUTPUT TO 1080i.  
5 PLACE I.R.E. IN FRONT OF THE BLU-RAY PLAYER AS SHOWN. (150 MM FROM RIGHT SIDE)  
4 SEE ROOF ASM FOR ADDITIONAL INFORMATION.

- 783 SATELLITE HD TV SYSTEM AUTOC
- 25M HOME THEATER SYSTEM, BLU-RAY
- 48P SAT TV SYSTEM IN-MOTION
- 78C SATELLITE SYSTEM READY
- 265 CODES/STANDARDS-CSA/CMVSS
- 1B1 CODES/STANDARDS USA

**WINNEBAGO**  
COPYRIGHT 2016 WINNEBAGO INDUSTRIES, INC.

DSNR:	ALL DIMENSIONS ARE IN MILLIMETERS	
DFFR:	MATERIAL:	
UNSPECIFIED TOLERANCES:	WHOLE DIM (X) :	3
	ONE-PLACE (X.X) :	1.5
	TWO-PLACE (X.XX) :	0.50
	ANGLE :	1°
REFER TO ES0018 FOR FASTENER TIGHTENING GUIDELINES	WEIGHT: (LBS)	FIRST USED: <b>16 J37F</b>
DESCRIPTION: <b>WIRING INSTL-TV/DVD</b>		
SHEET: <b>1 OF 5</b>	ITEM/PART NO: <b>000209699 / 30162301000</b>	REV:

REF: 1 13-Jun-2017



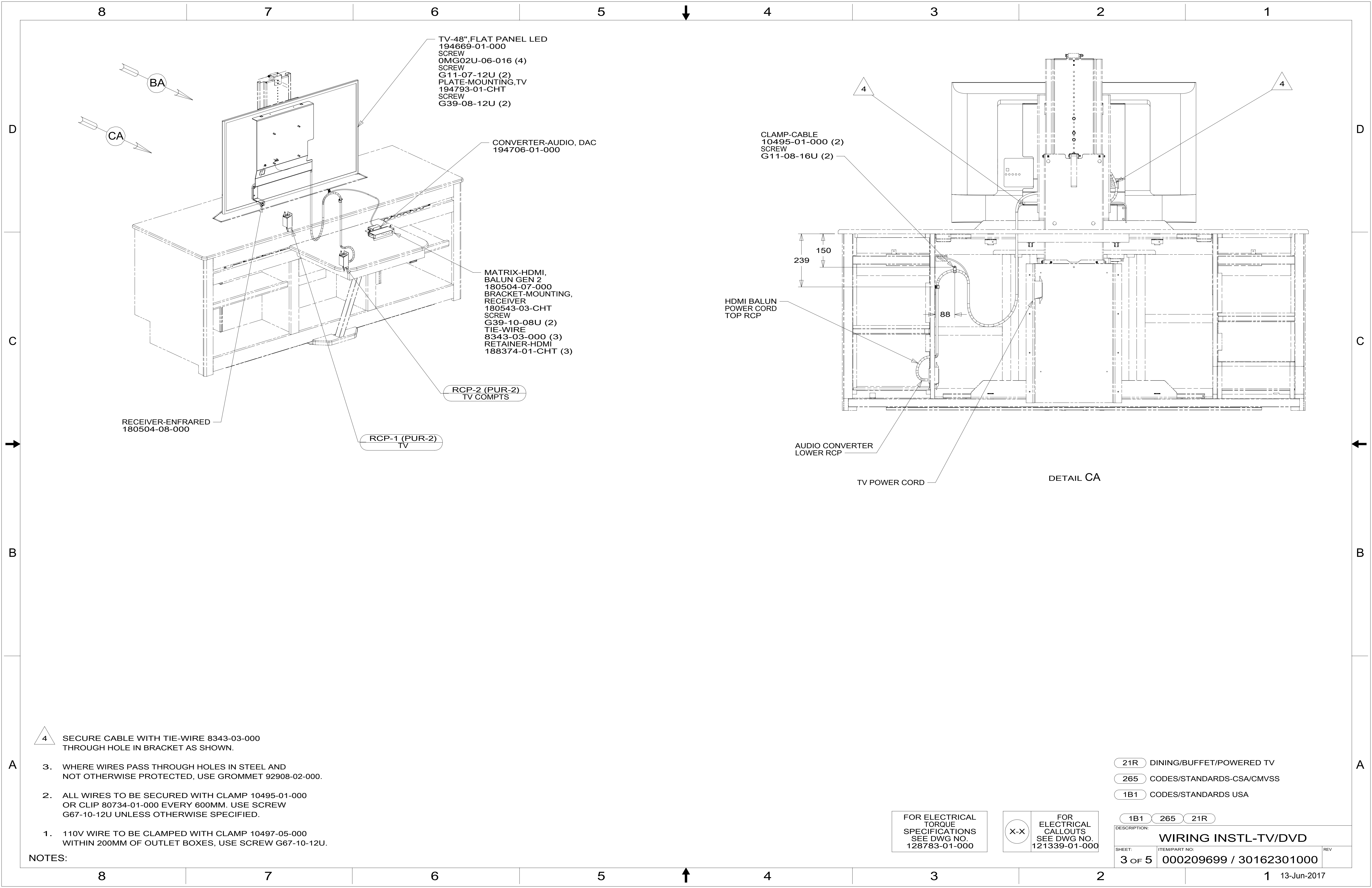
VIEW BA

- 21R DINING/BUFFET/POWERED TV
- 265 CODES/STANDARDS-CSA/CMVSS
- 1B1 CODES/STANDARDS USA

FOR ELECTRICAL TORQUE SPECIFICATIONS SEE DWG NO. 128783-01-000

FOR ELECTRICAL CALLOUTS SEE DWG NO. 121339-01-000

DESCRIPTION:		
<b>WIRING INSTL-TV/DVD</b>		
SHEET:	ITEM/PART NO.:	REV:
2 OF 5	000209699 / 30162301000	



TV-48",FLAT PANEL LED  
 194669-01-000  
 SCREW  
 OMG02U-06-016 (4)  
 SCREW  
 G11-07-12U (2)  
 PLATE-MOUNTING,TV  
 194793-01-CHT  
 SCREW  
 G39-08-12U (2)

CONVERTER-AUDIO, DAC  
 194706-01-000

MATRIX-HDMI,  
 BALUN GEN 2  
 180504-07-000  
 BRACKET-MOUNTING,  
 RECEIVER  
 180543-03-CHT  
 SCREW  
 G39-10-08U (2)  
 TIE-WIRE  
 8343-03-000 (3)  
 RETAINER-HDMI  
 188374-01-CHT (3)

RCP-2 (PUR-2)  
 TV COMPTS

RCP-1 (PUR-2)  
 TV

RECEIVER-ENFRARED  
 180504-08-000

CLAMP-CABLE  
 10495-01-000 (2)  
 SCREW  
 G11-08-16U (2)

HDMI BALUN  
 POWER CORD  
 TOP RCP

AUDIO CONVERTER  
 LOWER RCP

TV POWER CORD

DETAIL CA

- 4 SECURE CABLE WITH TIE-WIRE 8343-03-000 THROUGH HOLE IN BRACKET AS SHOWN.
3. WHERE WIRES PASS THROUGH HOLES IN STEEL AND NOT OTHERWISE PROTECTED, USE GROMMET 92908-02-000.
2. ALL WIRES TO BE SECURED WITH CLAMP 10495-01-000 OR CLIP 80734-01-000 EVERY 600MM. USE SCREW G67-10-12U UNLESS OTHERWISE SPECIFIED.
1. 110V WIRE TO BE CLAMPED WITH CLAMP 10497-05-000 WITHIN 200MM OF OUTLET BOXES, USE SCREW G67-10-12U.

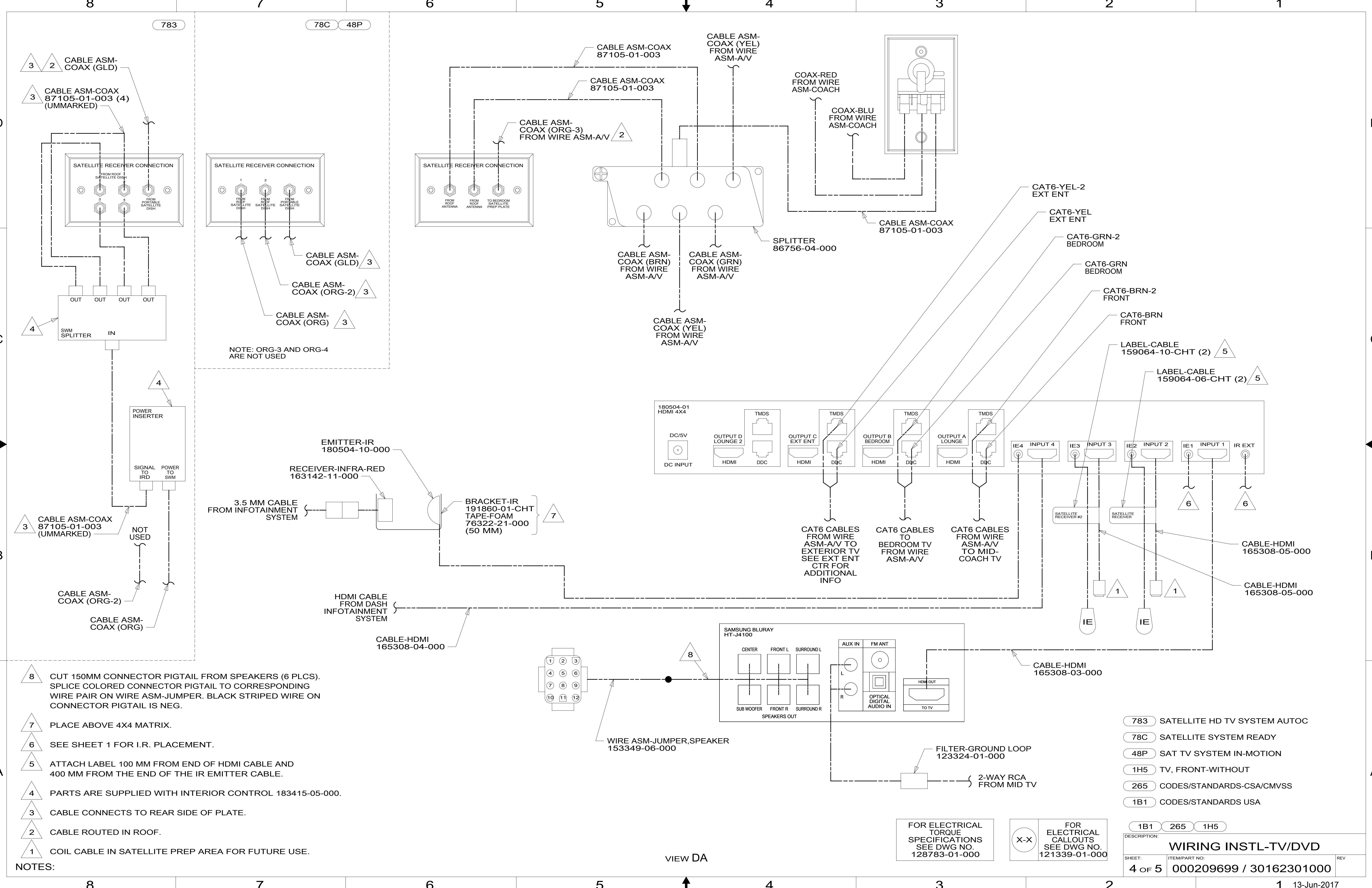
NOTES:

FOR ELECTRICAL TORQUE SPECIFICATIONS SEE DWG NO. 128783-01-000

FOR ELECTRICAL CALLOUTS SEE DWG NO. 121339-01-000

- 21R DINING/BUFFET/POWERED TV
- 265 CODES/STANDARDS-CSA/CMVSS
- 1B1 CODES/STANDARDS USA

DESCRIPTION: <b>WIRING INSTL-TV/DVD</b>		
SHEET: <b>3 OF 5</b>	ITEM/PART NO: <b>000209699 / 30162301000</b>	REV



- NOTES:**
- 8 CUT 150MM CONNECTOR PIGTAIL FROM SPEAKERS (6 PLCS). SPLICE COLORED CONNECTOR PIGTAIL TO CORRESPONDING WIRE PAIR ON WIRE ASM-JUMPER. BLACK STRIPED WIRE ON CONNECTOR PIGTAIL IS NEG.
  - 7 PLACE ABOVE 4X4 MATRIX.
  - 6 SEE SHEET 1 FOR I.R. PLACEMENT.
  - 5 ATTACH LABEL 100 MM FROM END OF HDMI CABLE AND 400 MM FROM THE END OF THE IR EMITTER CABLE.
  - 4 PARTS ARE SUPPLIED WITH INTERIOR CONTROL 183415-05-000.
  - 3 CABLE CONNECTS TO REAR SIDE OF PLATE.
  - 2 CABLE ROUTED IN ROOF.
  - 1 COIL CABLE IN SATELLITE PREP AREA FOR FUTURE USE.

- LEGEND:**
- 783 SATELLITE HD TV SYSTEM AUTOC
  - 78C SATELLITE SYSTEM READY
  - 48P SAT TV SYSTEM IN-MOTION
  - 1H5 TV, FRONT-WITHOUT
  - 265 CODES/STANDARDS-CSA/CMVSS
  - 1B1 CODES/STANDARDS USA

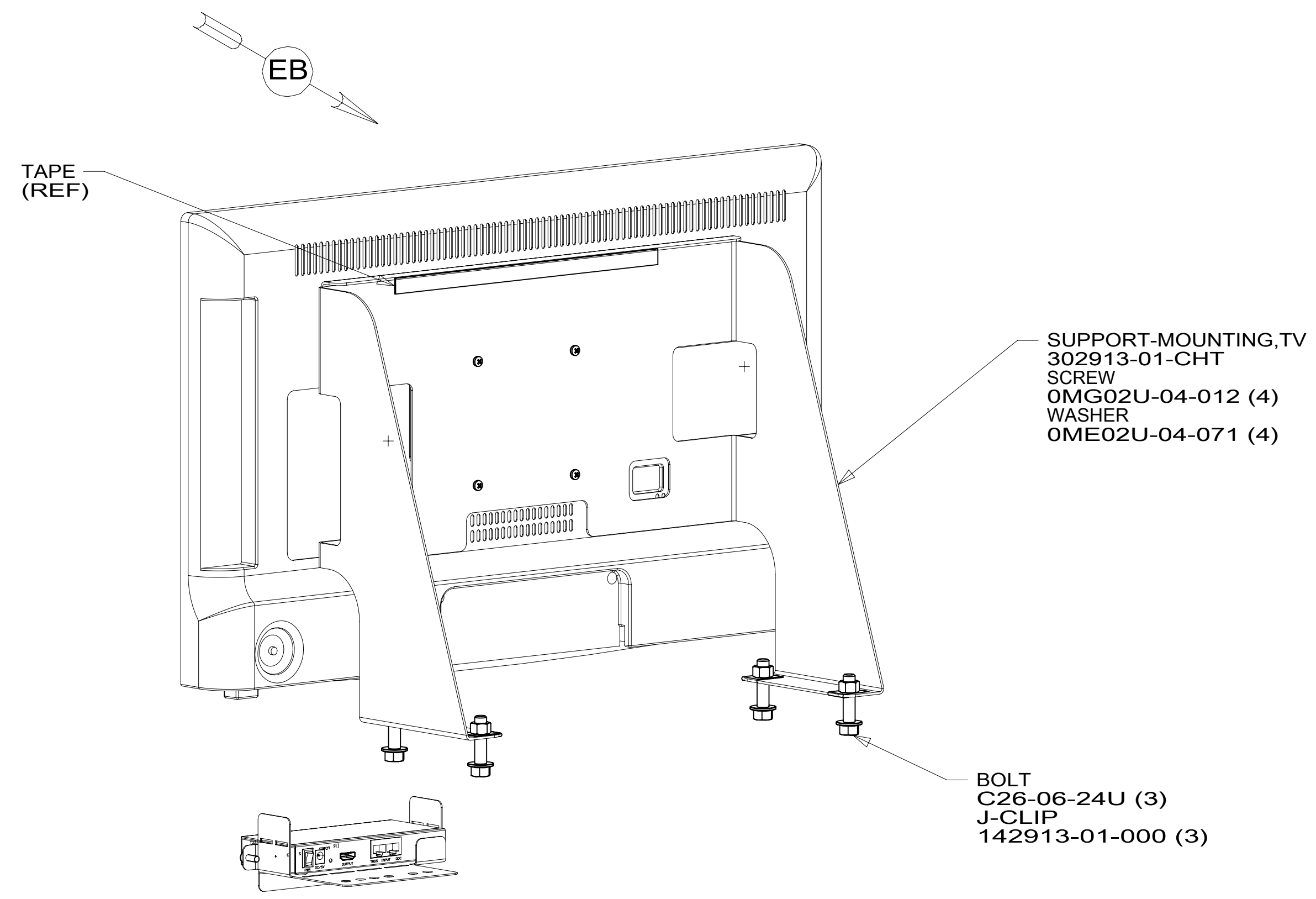
FOR ELECTRICAL TORQUE SPECIFICATIONS SEE DWG NO. 128783-01-000

FOR ELECTRICAL CALLOUTS SEE DWG NO. 121339-01-000

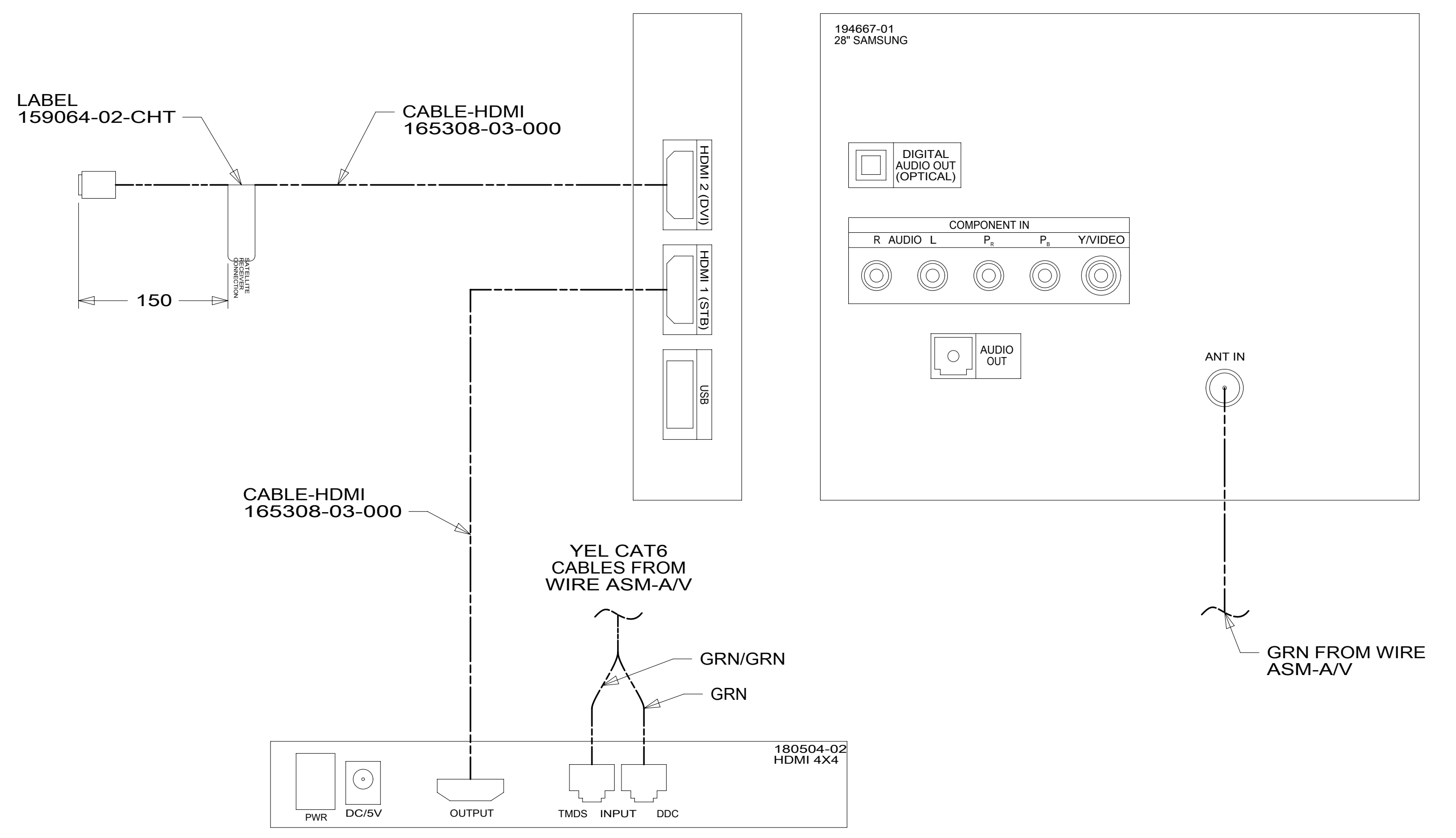
DESCRIPTION:	<b>WIRING INSTL-TV/DVD</b>	
SHEET:	ITEM/PART NO.:	REV:
4 OF 5	000209699 / 30162301000	

VIEW DA

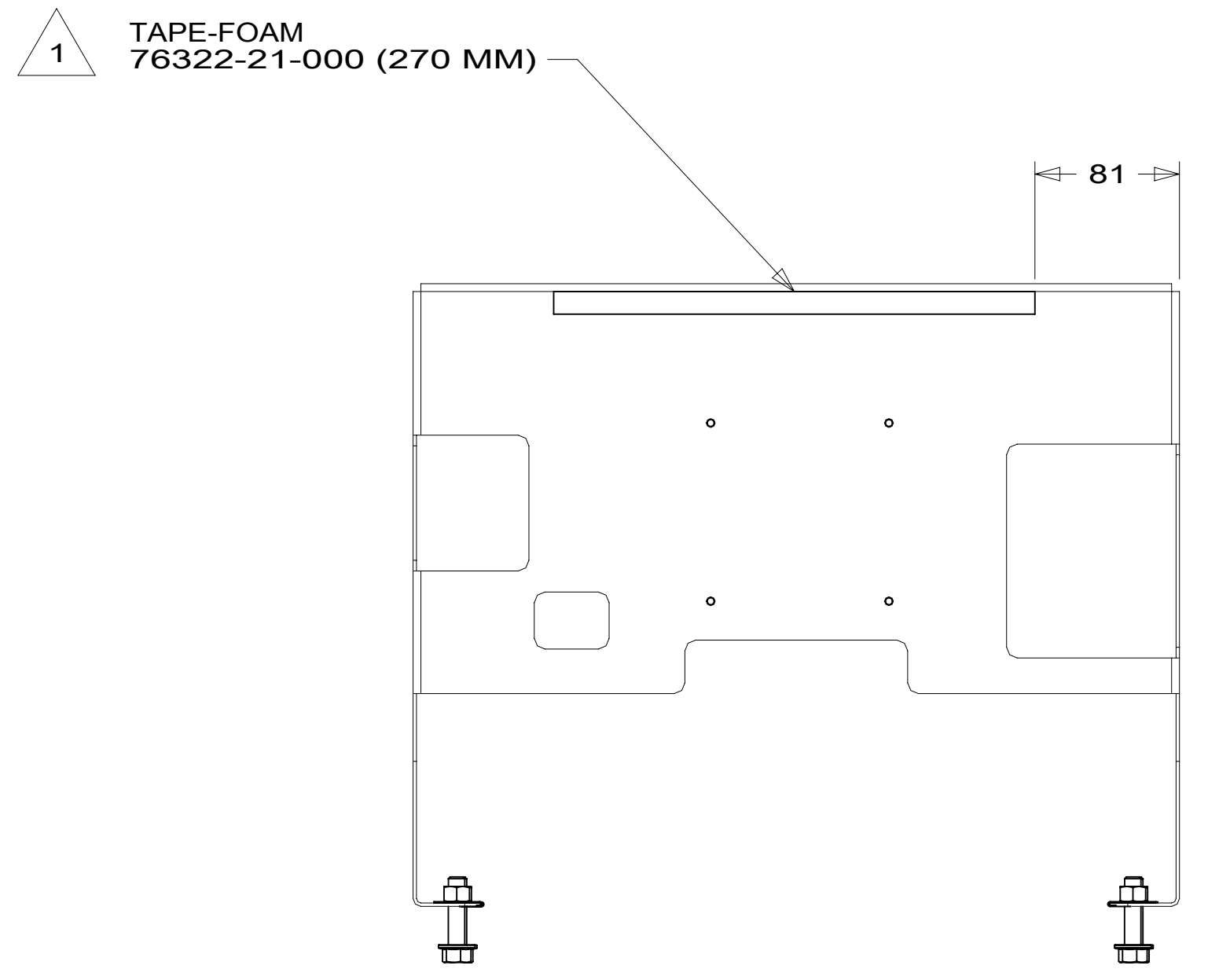
8 7 6 5 4 3 2 1



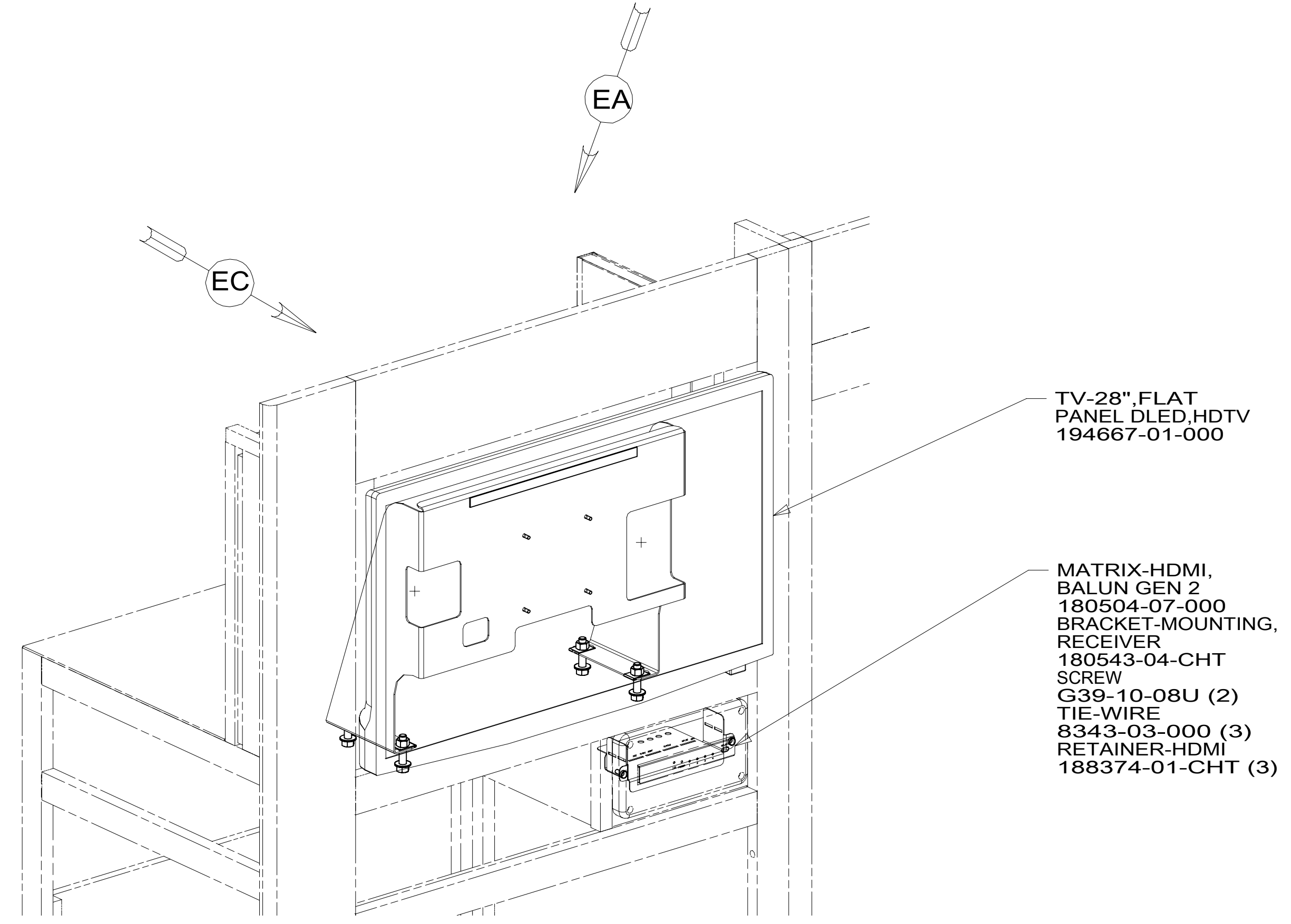
VIEW EA



VIEW EC



VIEW EB (SHOWN WITHOUT TV)



1 TAPE-FOAM 76322-21-000 (270 MM)

1 CLEAN AND APPLY ADHESIVE PROMOTER 87211-01-000 TO BOTH SURFACES AND BOND WHERE BRACKET CONTACTS TV.

NOTES:

FOR ELECTRICAL TORQUE SPECIFICATIONS SEE DWG NO. 128783-01-000

FOR ELECTRICAL CALLOUTS SEE DWG NO. 121339-01-000

- 61M TV(REAR)-28" COLOR STEREO
- 265 CODES/STANDARDS-CSA/CMVSS
- 1B1 CODES/STANDARDS USA

DESCRIPTION:	1B1 265 61M	
<b>WIRING INSTL-TV/DVD</b>		
SHEET:	ITEM/PART NO:	REV
5 OF 5	000209699 / 30162301000	

8 7 6 5 4 3 2 1 13-Jun-2017