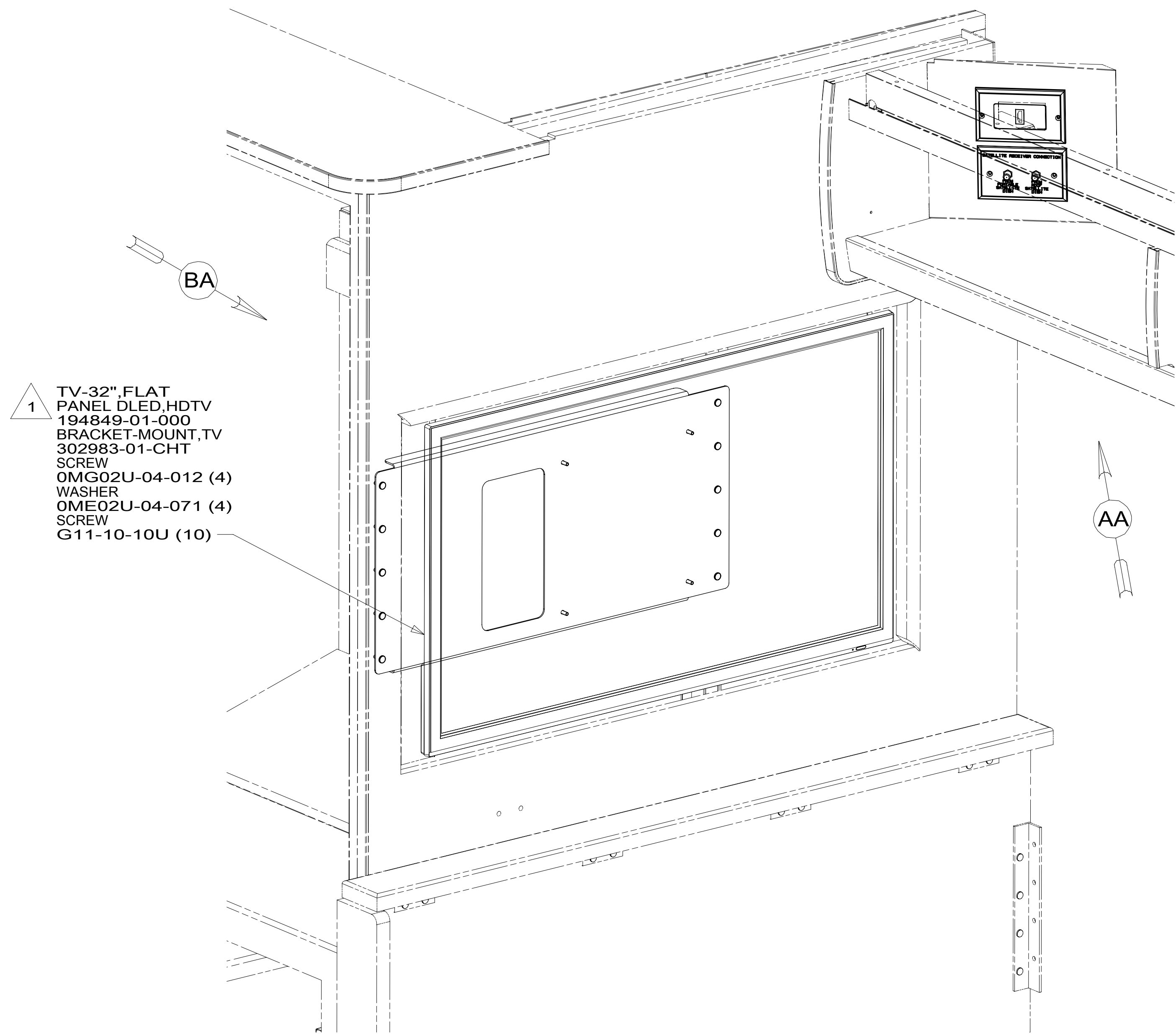


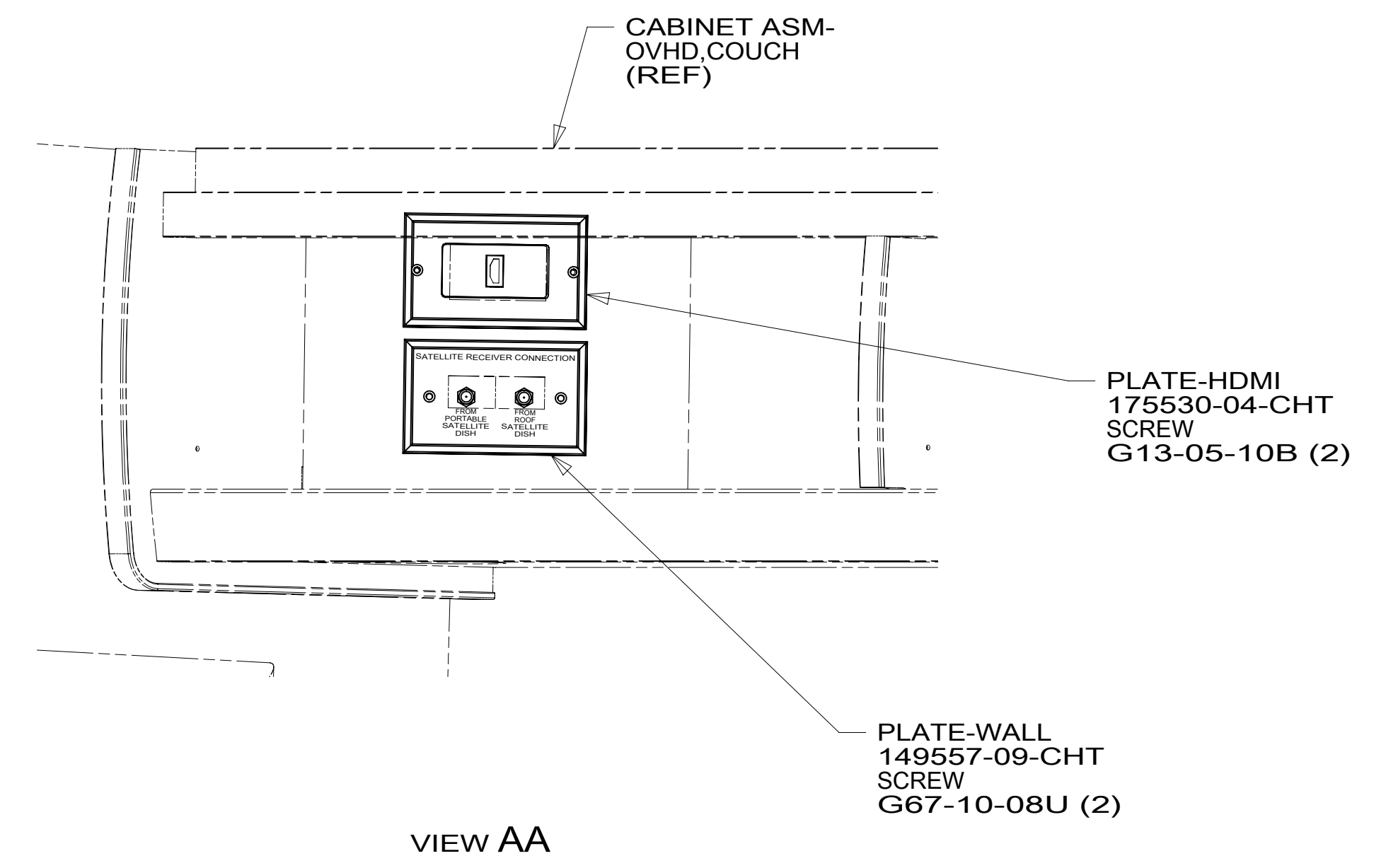
8 7 6 5 4 3 2 1

D
C
B
A

D
C
B
A



- 1 TV-32", FLAT PANEL DLED, HDTV 194849-01-000
- BRACKET-MOUNT, TV 302983-01-CHT
- SCREW OMG02U-04-012 (4)
- WASHER OME02U-04-071 (4)
- SCREW G11-10-10U (10)



VIEW AA

- 265 CODES/STANDARDS-CSA/CMVSS
- 1B1 CODES/STANDARDS USA
- 1B1 265



DSNR:	ALL DIMENSIONS ARE IN MILLIMETERS	
DFFR:	MATERIAL:	
UNSPECIFIED TOLERANCES:		
WHOLE DIM (X) :	3	
ONE-PLACE (X.X) :	1.5	
TWO-PLACE (X.XX) :	0.50	
ANGLE :	1°	
REFER TO ES0018 FOR FASTENER TIGHTENING GUIDELINES	WEIGHT: (LBS)	FIRST USED: 16 H25P

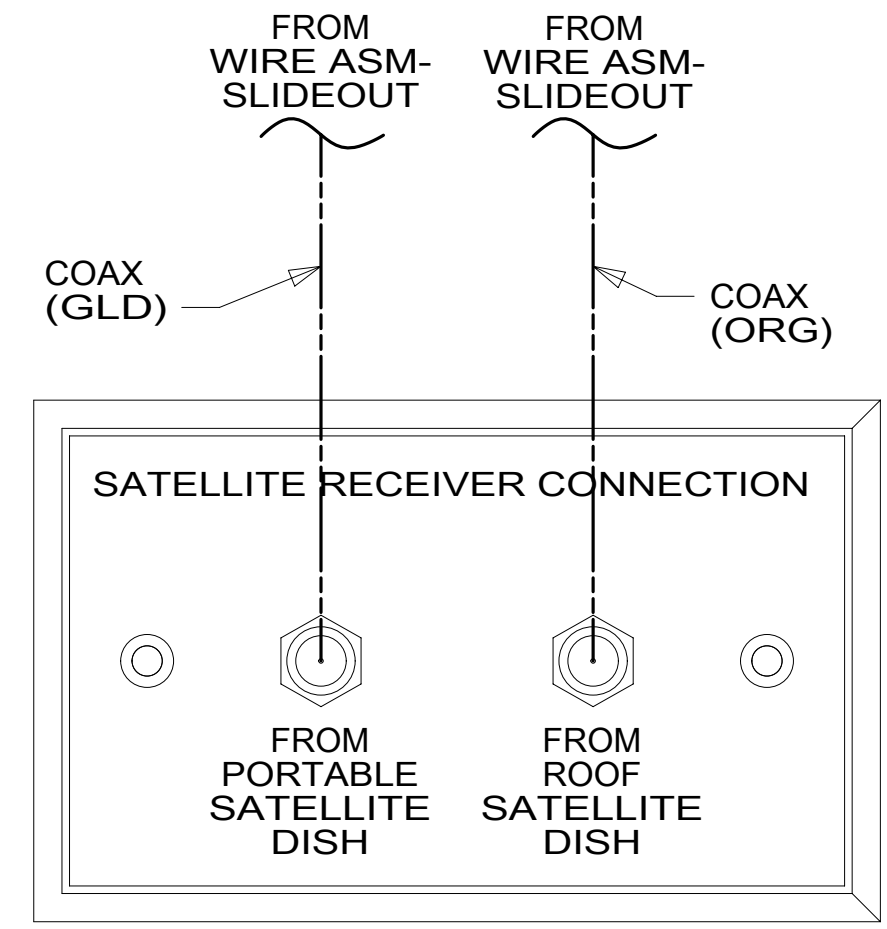
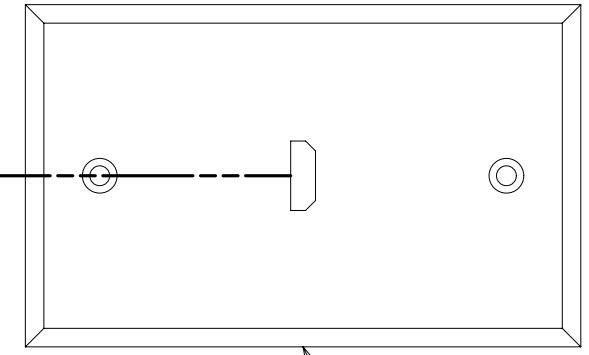
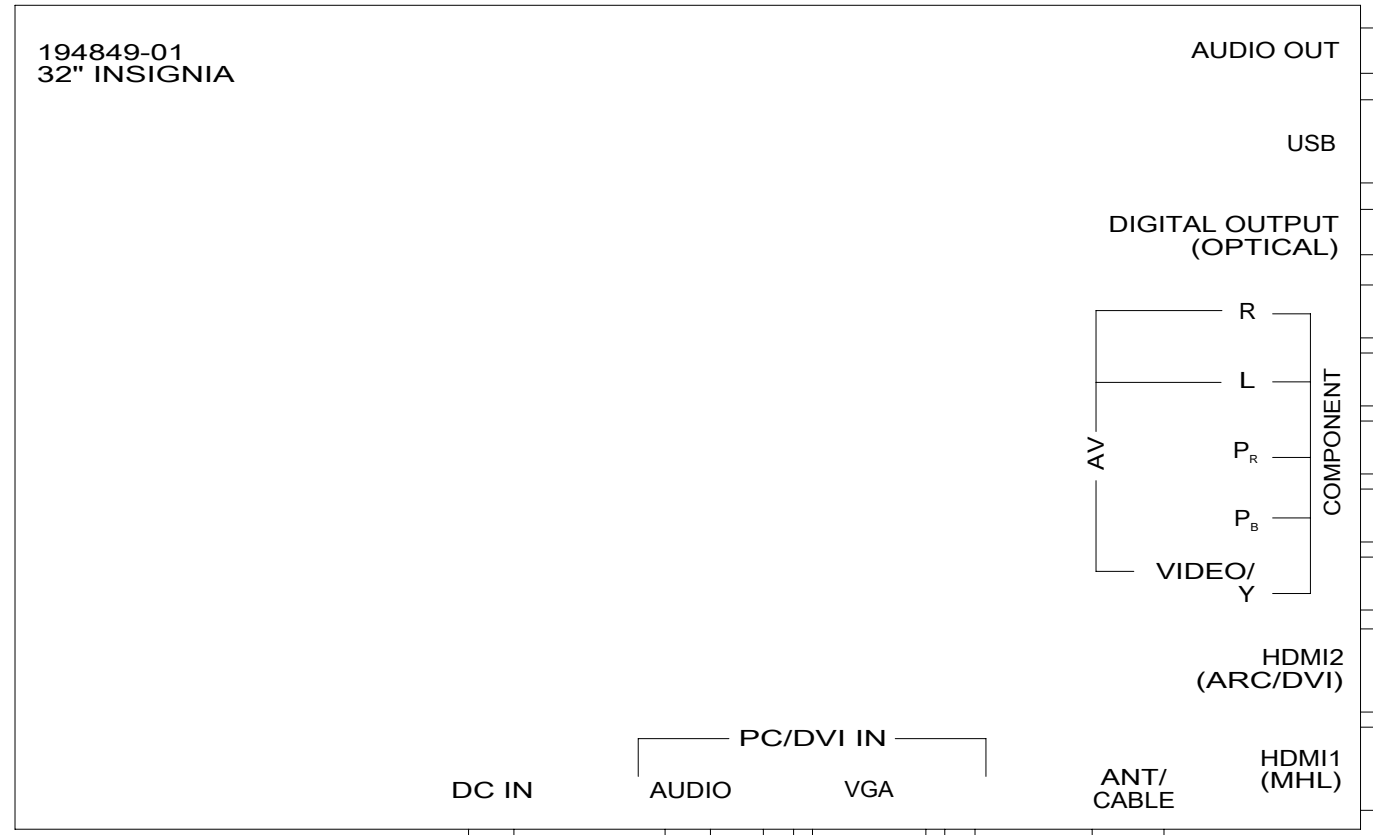
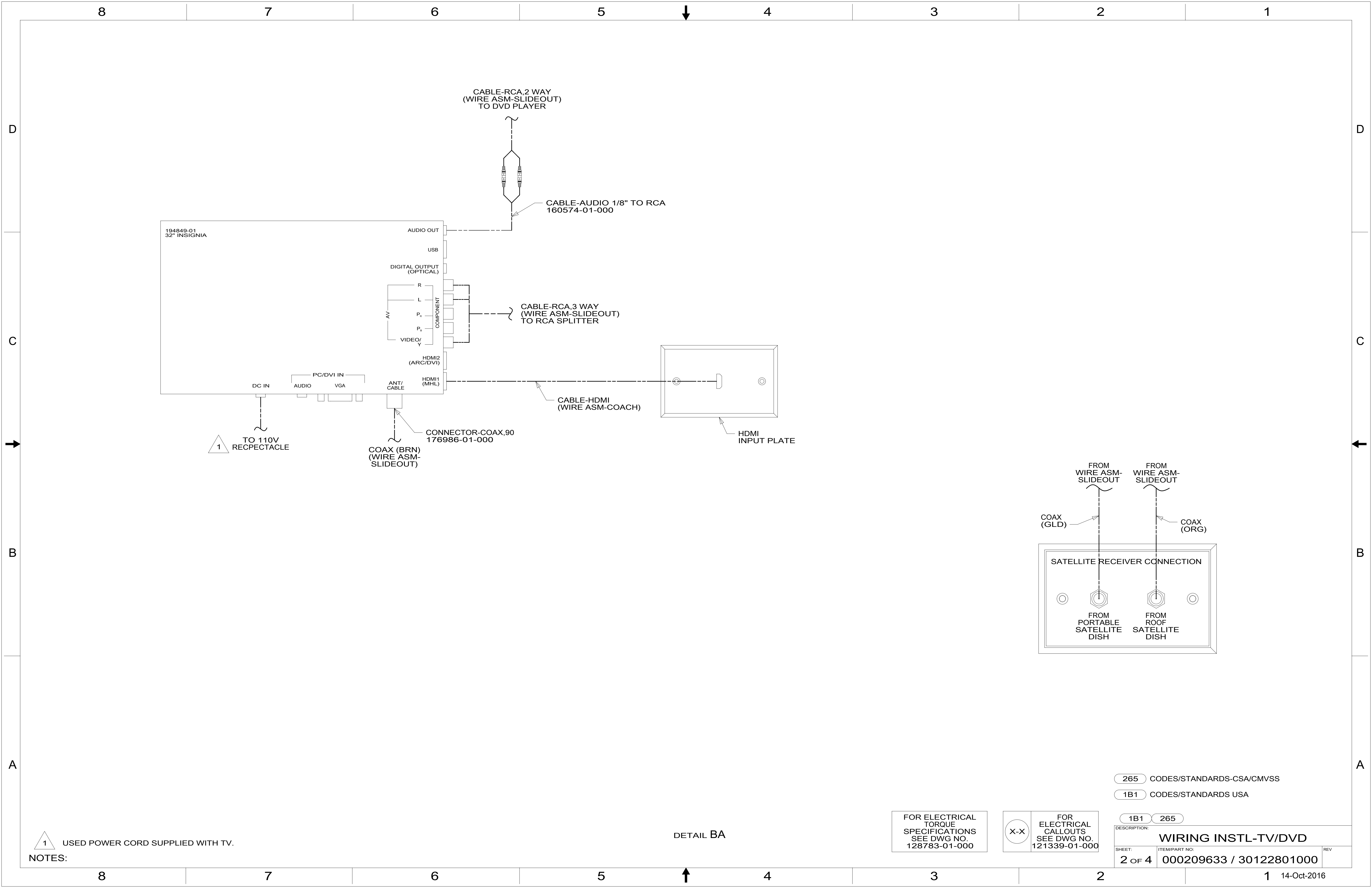
FOR ELECTRICAL TORQUE SPECIFICATIONS SEE DWG NO. 128783-01-000

FOR ELECTRICAL CALLOUTS SEE DWG NO. 121339-01-000

DESCRIPTION:		
WIRING INSTL-TV/DVD		
SHEET: 1 OF 4	ITEM/PART NO: 000209633 / 30122801000	REV:
REF: 1		14-Oct-2016

NOTES:
1 USED POWER CORD SUPPLIED WITH TV.

8 7 6 5 4 3 2 1



1 TO 110V RECEPTACLE

CONNECTOR-COAX,90
176986-01-000
COAX (BRN)
(WIRE ASM-
SLIDEOUT)

CABLE-RCA,2 WAY
(WIRE ASM-SLIDEOUT)
TO DVD PLAYER

CABLE-AUDIO 1/8" TO RCA
160574-01-000

CABLE-RCA,3 WAY
(WIRE ASM-SLIDEOUT)
TO RCA SPLITTER

CABLE-HDMI
(WIRE ASM-COACH)

HDMI
INPUT PLATE

1 USED POWER CORD SUPPLIED WITH TV.

DETAIL BA

FOR ELECTRICAL
TORQUE
SPECIFICATIONS
SEE DWG NO.
128783-01-000

FOR
ELECTRICAL
CALLOUTS
SEE DWG NO.
121339-01-000

265 CODES/STANDARDS-CSA/CMVSS
1B1 CODES/STANDARDS USA

DESCRIPTION: WIRING INSTL-TV/DVD	
SHEET: 2 OF 4	ITEM/PART NO: 000209633 / 30122801000
REV 1 14-Oct-2016	

8 7 6 5 4 3 2 1

D

C

B

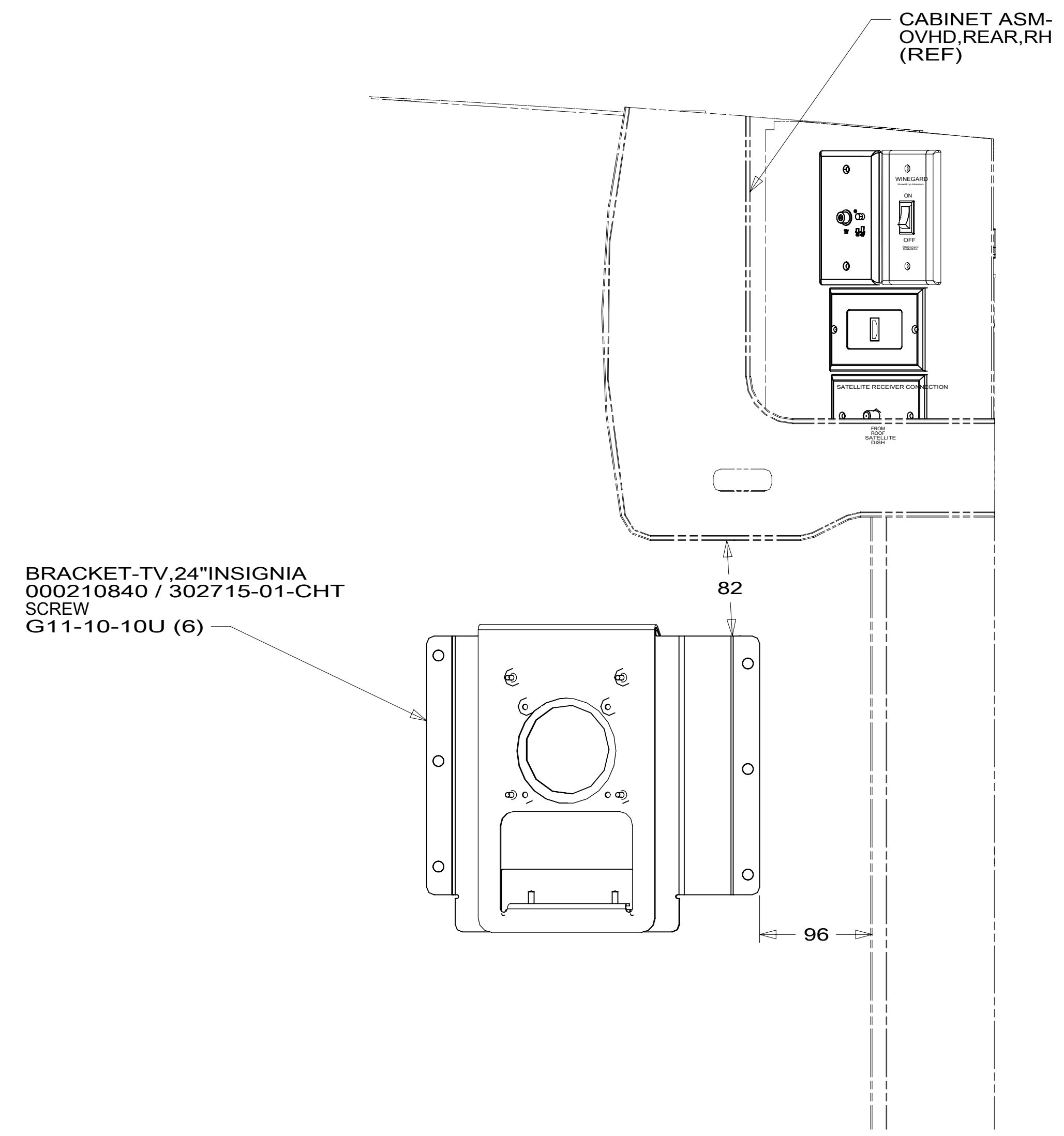
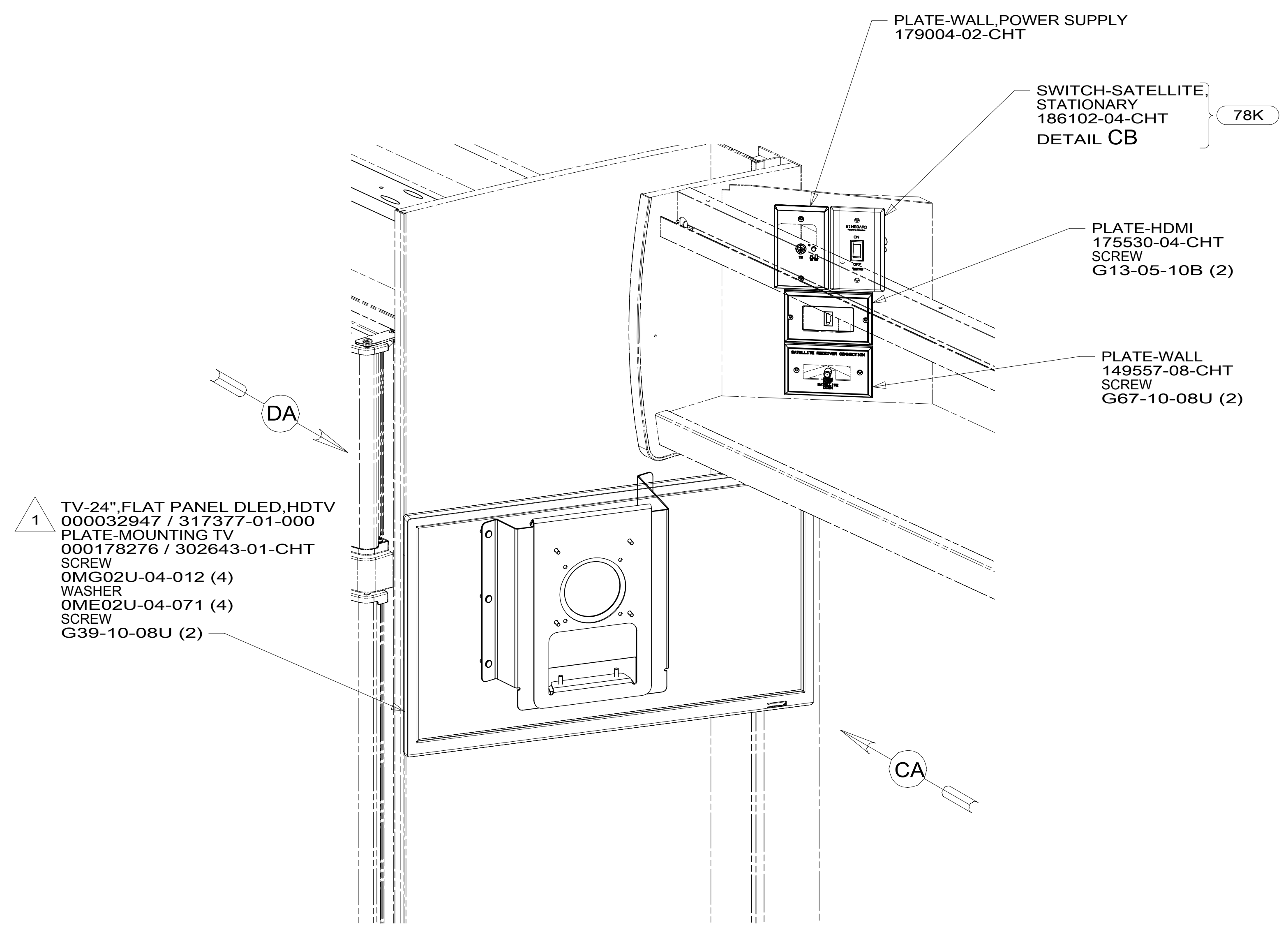
A

D

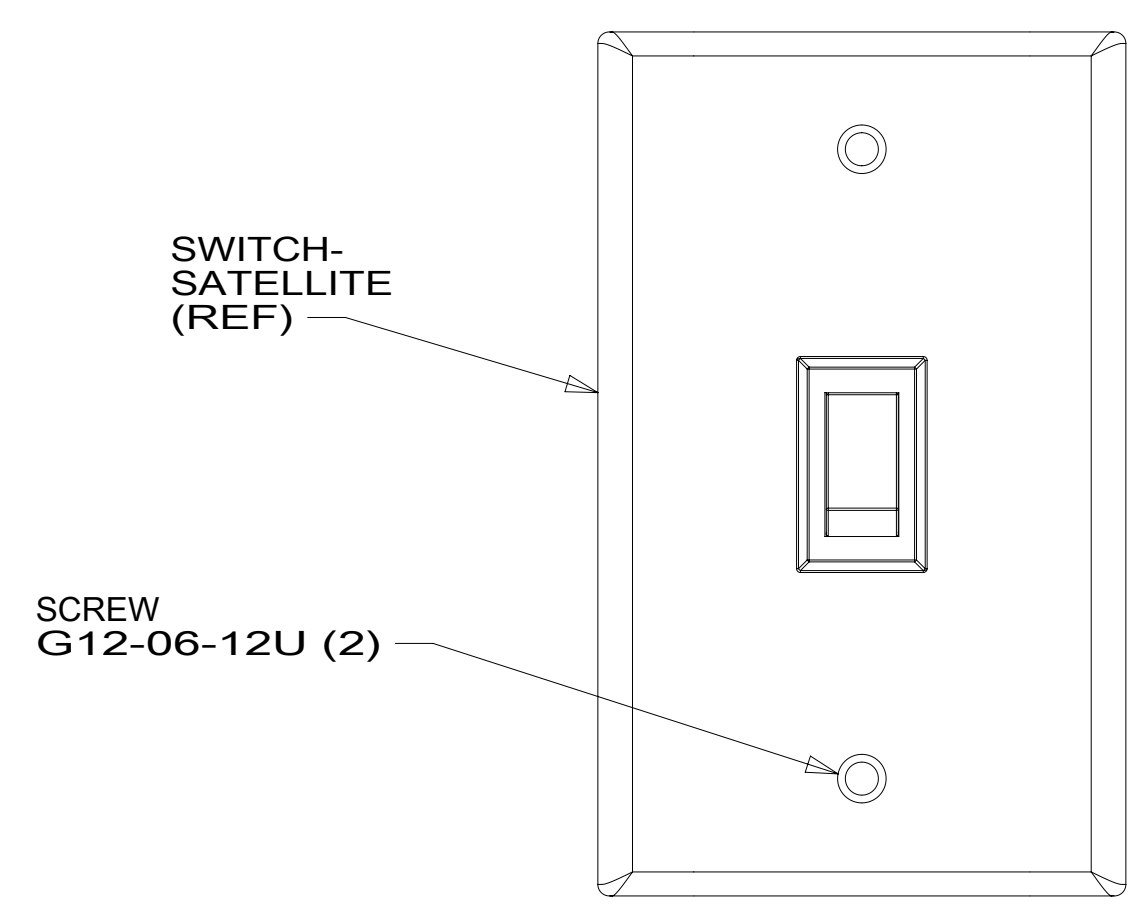
C

B

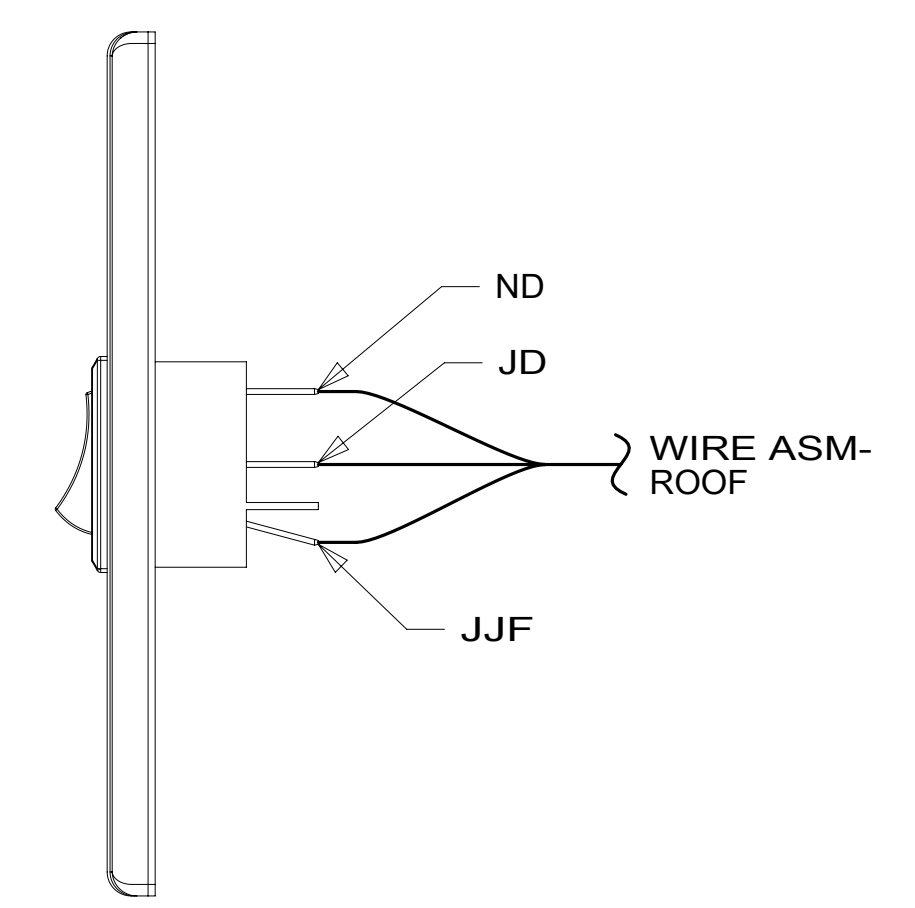
A



VIEW CA



DETAIL CB



1 USED POWER CORD SUPPLIED WITH TV.
NOTES:

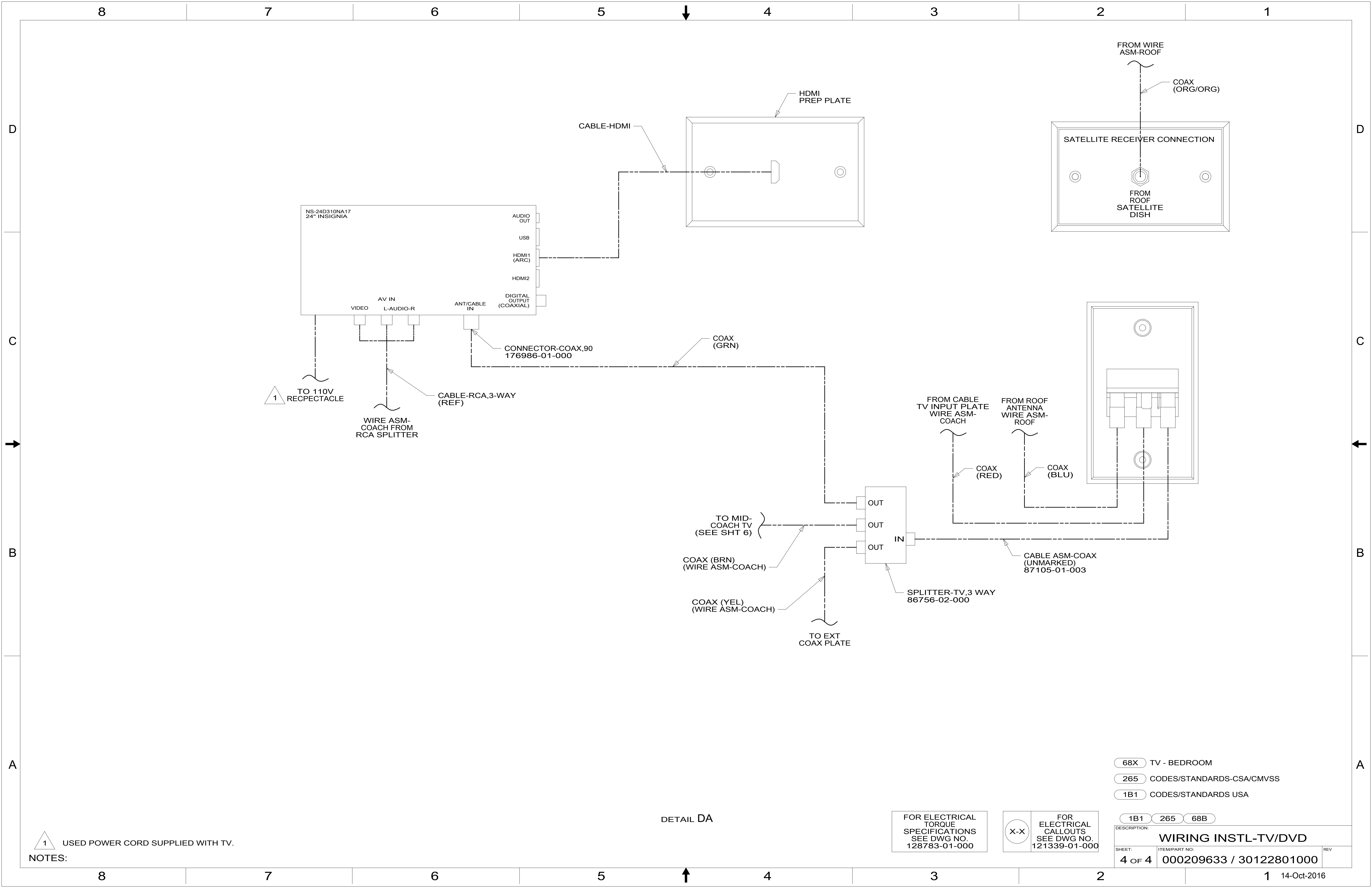
FOR ELECTRICAL TORQUE SPECIFICATIONS SEE DWG NO. 128783-01-000

X-X FOR ELECTRICAL CALLOUTS SEE DWG NO. 121339-01-000

- 78K SATELLITE TV SYSTEM AUTO
- 265 CODES/STANDARDS-CSA/CMVSS
- 1B1 CODES/STANDARDS USA

DESCRIPTION:		1B1 265
WIRING INSTL-TV/DVD		
SHEET:	ITEM/PART NO.:	REV
3 OF 4	000209633 / 30122801000	

8 7 6 5 4 3 2 1 14-Oct-2016



1 USED POWER CORD SUPPLIED WITH TV.

DETAIL DA

FOR ELECTRICAL TORQUE SPECIFICATIONS SEE DWG NO. 128783-01-000

FOR ELECTRICAL CALLOUTS SEE DWG NO. 121339-01-000

- 68X TV - BEDROOM
- 265 CODES/STANDARDS-CSA/CMVSS
- 1B1 CODES/STANDARDS USA

DESCRIPTION:		
WIRING INSTL-TV/DVD		
SHEET:	ITEM/PART NO.:	REV
4 OF 4	000209633 / 30122801000	