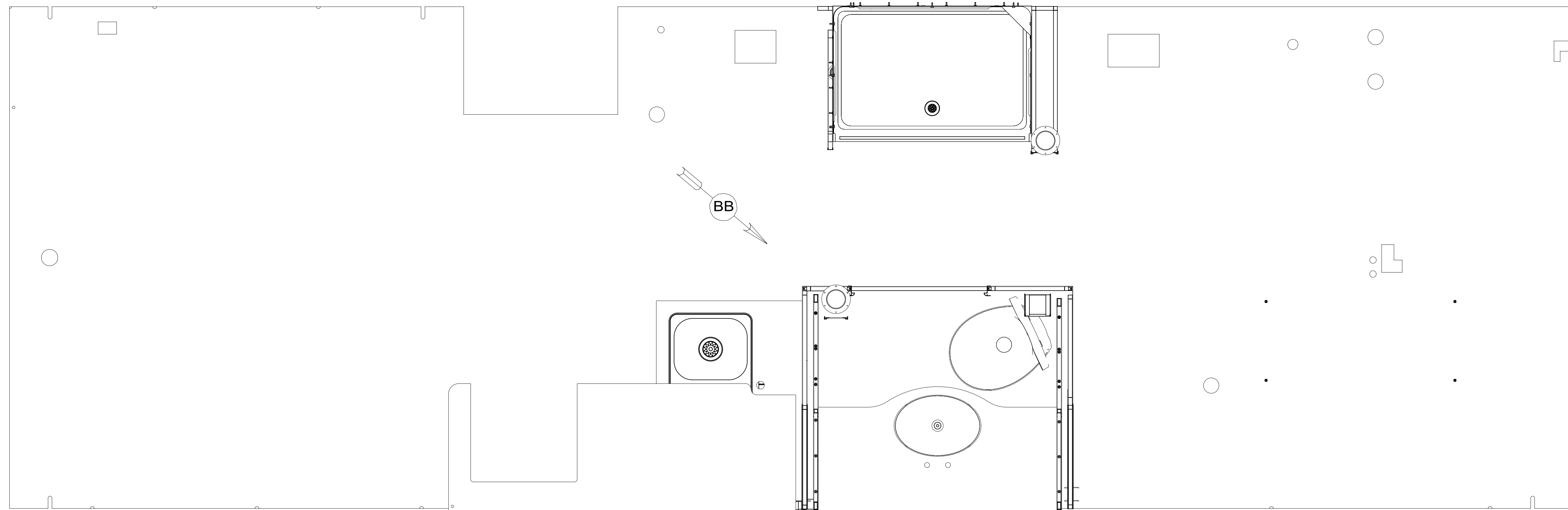


REV	ZONE	REVISION RECORD	DATE	DFTR-ORIG
A	---	INITIAL RELEASE	11-03-15	4569
B	---	ADD MISSING GEOMETRY SHT2	11-16-15	1600-1600



- NOTES:
1. SLOPE OF HORIZONTAL PIPING TO BE MINIMUM OF 3 PER 305 mm.
 2. SLOPE OF TRAP ARM MUST BE 6 PER 305 mm.
 3. ALL PIPE AND FITTINGS TO BE ASSEMBLED WITH SOLVENT 004020-01-000 (USA), 004020-02-000 (CAN).
 4. USE SMOOTH PLUMBERS PUTTY 167459-01-000 TO SEAL STRAINER (0.2 PER STRAINER).
 5. SEAL AROUND SHOWER WITH SILICONE.
 6. VENT PIPE MUST PROJECT 51 MIN AND 64 MAX ABOVE ROOF FOR PROPER FIT AND FUNCTION. ADD S-1 (116666-01-CHT SEAL-VENT PIPE) AROUND PIPE ON ROOF BEFORE VENT CAP IS INSTALLED.
 7. SECURE VENT PIPE TO TANK WITH CLAMP 062401-02-000.
 8. SECURE DRAINAGE PIPES TO CABINET USING WIRE TIE 108046-02-000, AND SCREW 000G67-10-12U AT INTERVALS OF NOT MORE THAN 4 FEET APART.
 9. SEE DRAWING 061607 FOR INSTALLATION OF GROMMETS.
 10. VALVE TERMINATION TEE TO BE POSITIONED AT 10° DOWN AND OUTBOARD.
 11. PREP THE SURFACE PER MANUFACTURERS INSTRUCTIONS BEFORE APPLYING THE HEAT PAD.
 12. APPLY PRIMER 126427-02-000 AND CEMENT 126427-01-000 BETWEEN ELBOW AND FLEX PIPE.

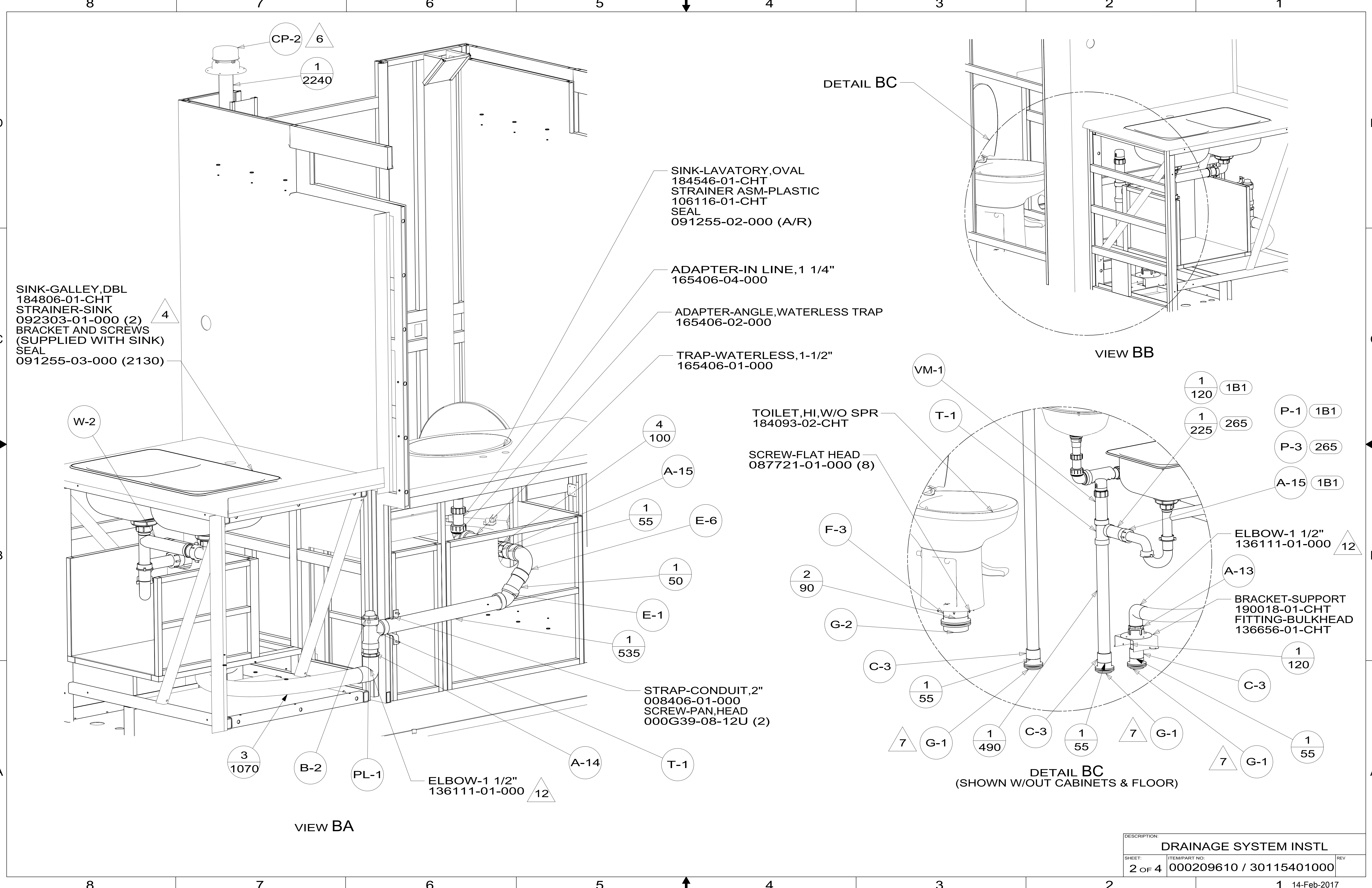
- 23T DRAINAGE SYSTEM-HEATED
- 1B1 CODES/STANDARDS USA
- 265 CODES/STANDARDS-CSA/CMVSS

FOR DRAINAGE CALLOUTS SEE DWG NO. 116229-01-000

WINNEBAGO
COPYRIGHT 2016 WINNEBAGO INDUSTRIES, INC.

DSNR:	ALL DIMENSIONS ARE IN MILLIMETERS	
DFTR:	MATERIAL:	
UNSPECIFIED TOLERANCES:		
WHOLE DIM (X) :	3	
ONE-PLACE (X.X) :	1.5	
TWO-PLACE (X.XX) :	0.50	
ANGLE :	1°	
REFER TO ES0018 FOR FASTENER TIGHTENING GUIDELINES	WEIGHT: (LBS)	FIRST USED: (REF)
DESCRIPTION: DRAINAGE SYSTEM INSTL		
SHEET: 1 OF 4	ITEM/PART NO: 000209610 / 30115401000	REV:

*301154 *A



SINK-GALLEY, DBL
 184806-01-CHT
 STRAINER-SINK
 092303-01-000 (2)
 BRACKET AND SCREWS
 (SUPPLIED WITH SINK)
 SEAL
 091255-03-000 (2130)

SINK-LAVATORY, OVAL
 184546-01-CHT
 STRAINER ASM-PLASTIC
 106116-01-CHT
 SEAL
 091255-02-000 (A/R)

ADAPTER-IN LINE, 1 1/4"
 165406-04-000

ADAPTER-ANGLE, WATERLESS TRAP
 165406-02-000

TRAP-WATERLESS, 1-1/2"
 165406-01-000

TOILET, HI, W/O SPR
 184093-02-CHT

SCREW-FLAT HEAD
 087721-01-000 (8)

STRAP-CONDUIT, 2"
 008406-01-000
 SCREW-PAN, HEAD
 000G39-08-12U (2)

ELBOW-1 1/2"
 136111-01-000
 BRACKET-SUPPORT
 190018-01-CHT
 FITTING-BULKHEAD
 136656-01-CHT

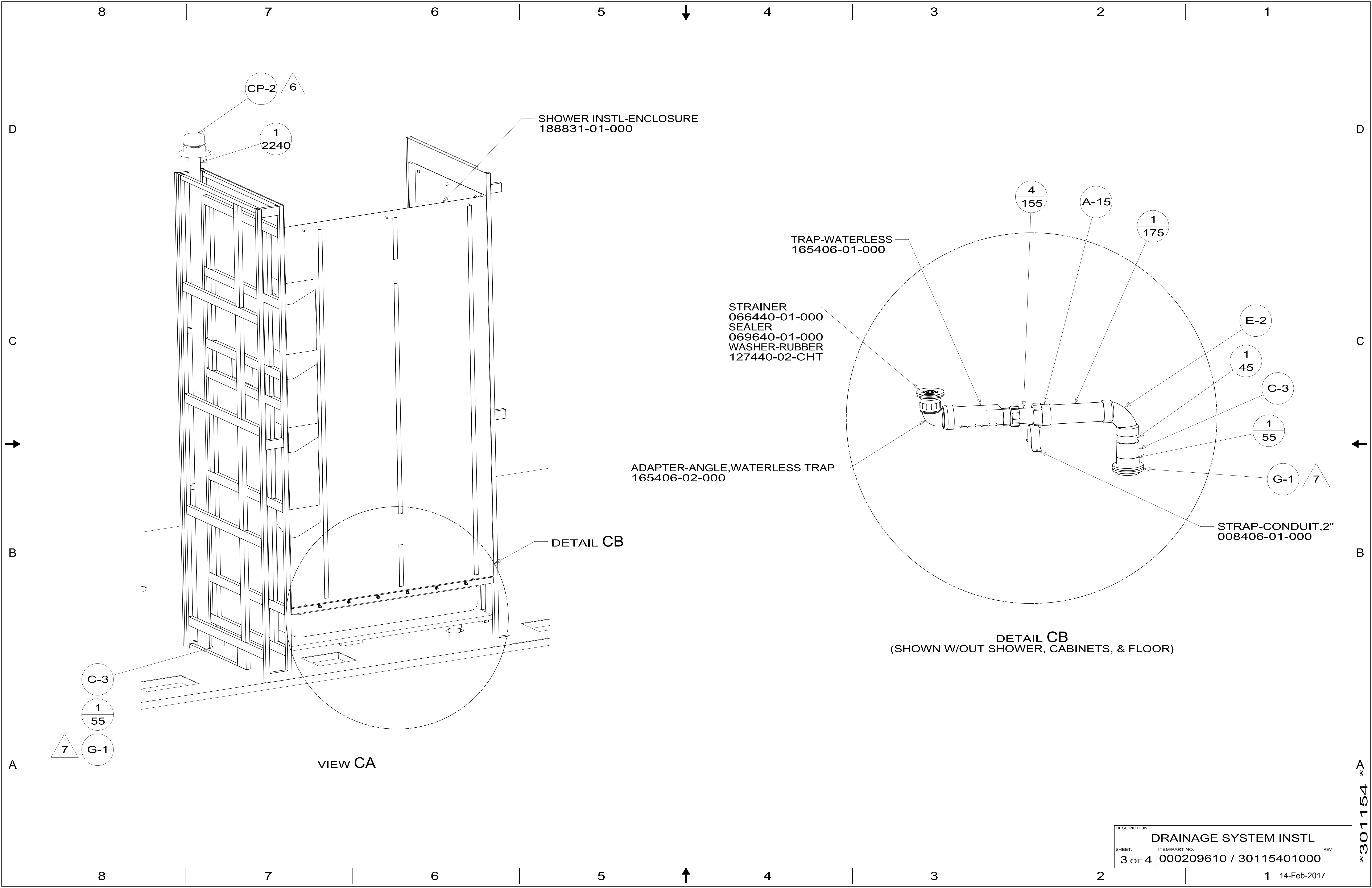
DETAIL BC
 (SHOWN W/OUT CABINETS & FLOOR)

VIEW BA

VIEW BB

DESCRIPTION: DRAINAGE SYSTEM INSTL		
SHEET: 2 OF 4	ITEM/PART NO: 000209610 / 30115401000	REV

301154



CP-2 6

1
2240

SHOWER INSTL-ENCLOSURE
188831-01-000

TRAP-WATERLESS
165406-01-000

STRAINER
066440-01-000
SEALER
069640-01-000
WASHER-RUBBER
127440-02-CHT

ADAPTER-ANGLE, WATERLESS TRAP
165406-02-000

4
155

A-15

1
175

E-2

1
45

C-3

1
55

G-1 7

STRAP-CONDUIT, 2"
008406-01-000

DETAIL CB

DETAIL CB
(SHOWN W/OUT SHOWER, CABINETS, & FLOOR)

C-3

1
55

7

G-1

VIEW CA

DESCRIPTION:		
DRAINAGE SYSTEM INSTL		
SHEET:	ITEM/PART NO.:	REV
3 OF 4	000209610 / 30115401000	

*301154 *A

