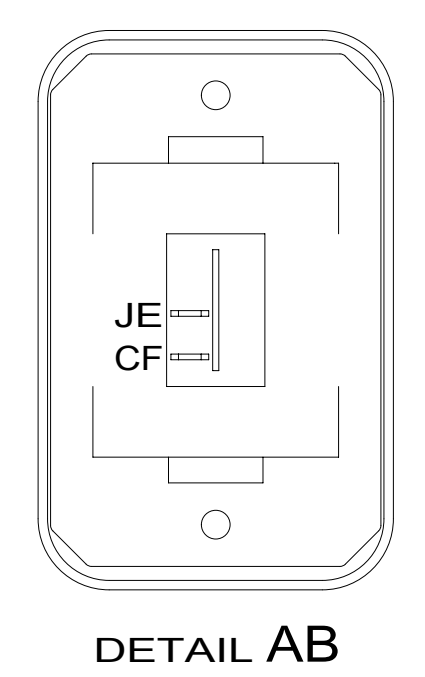
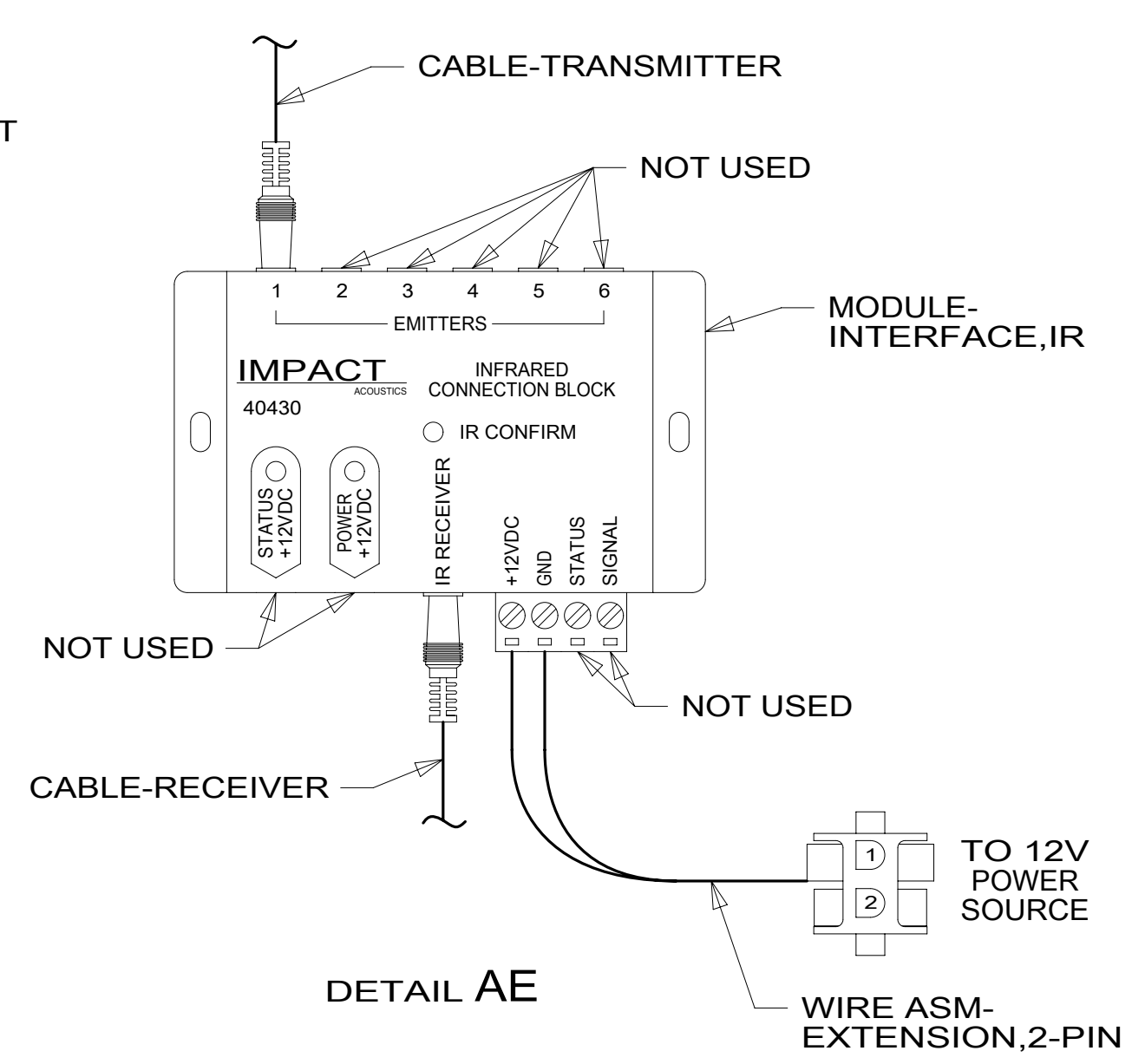
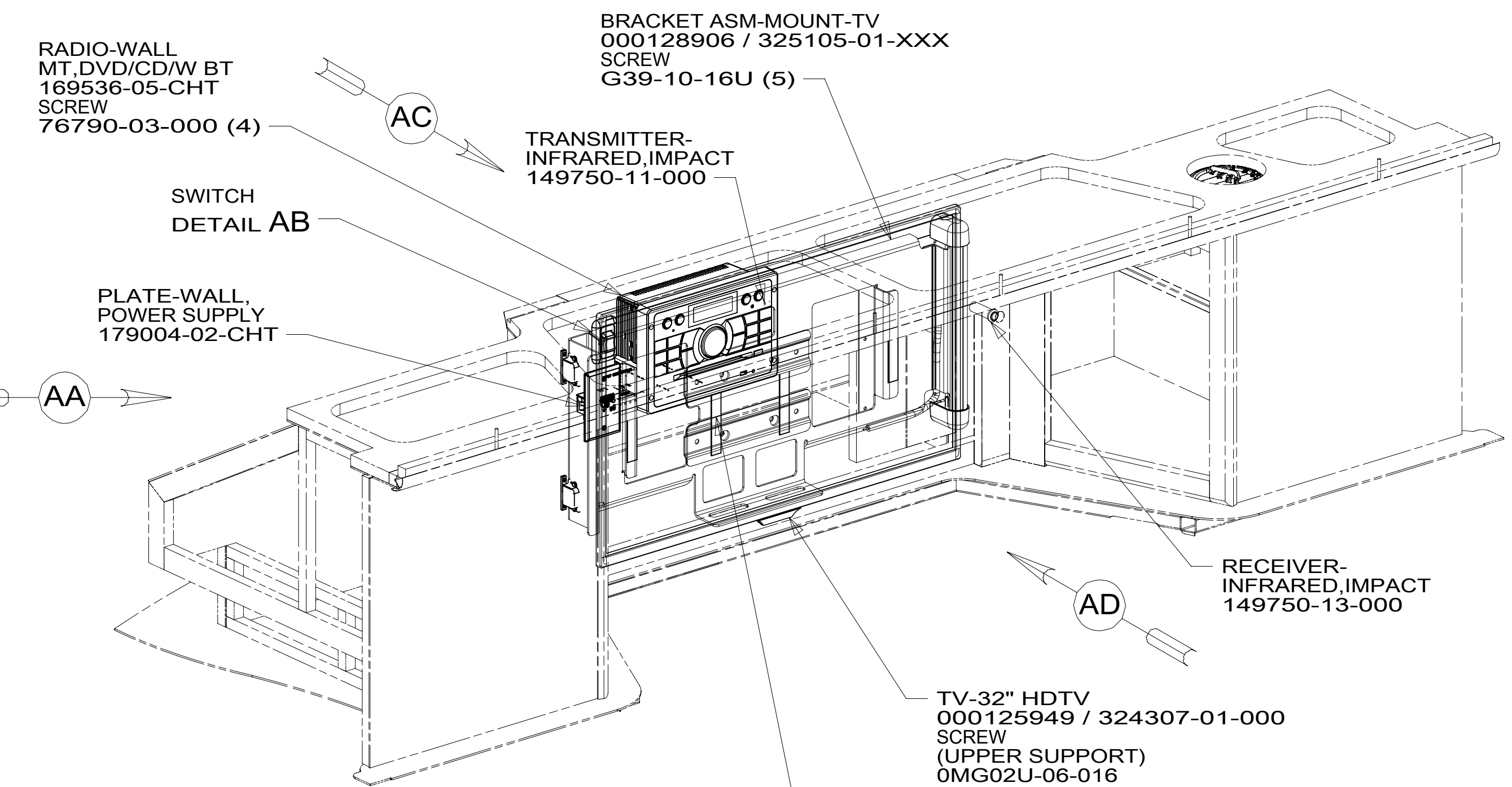
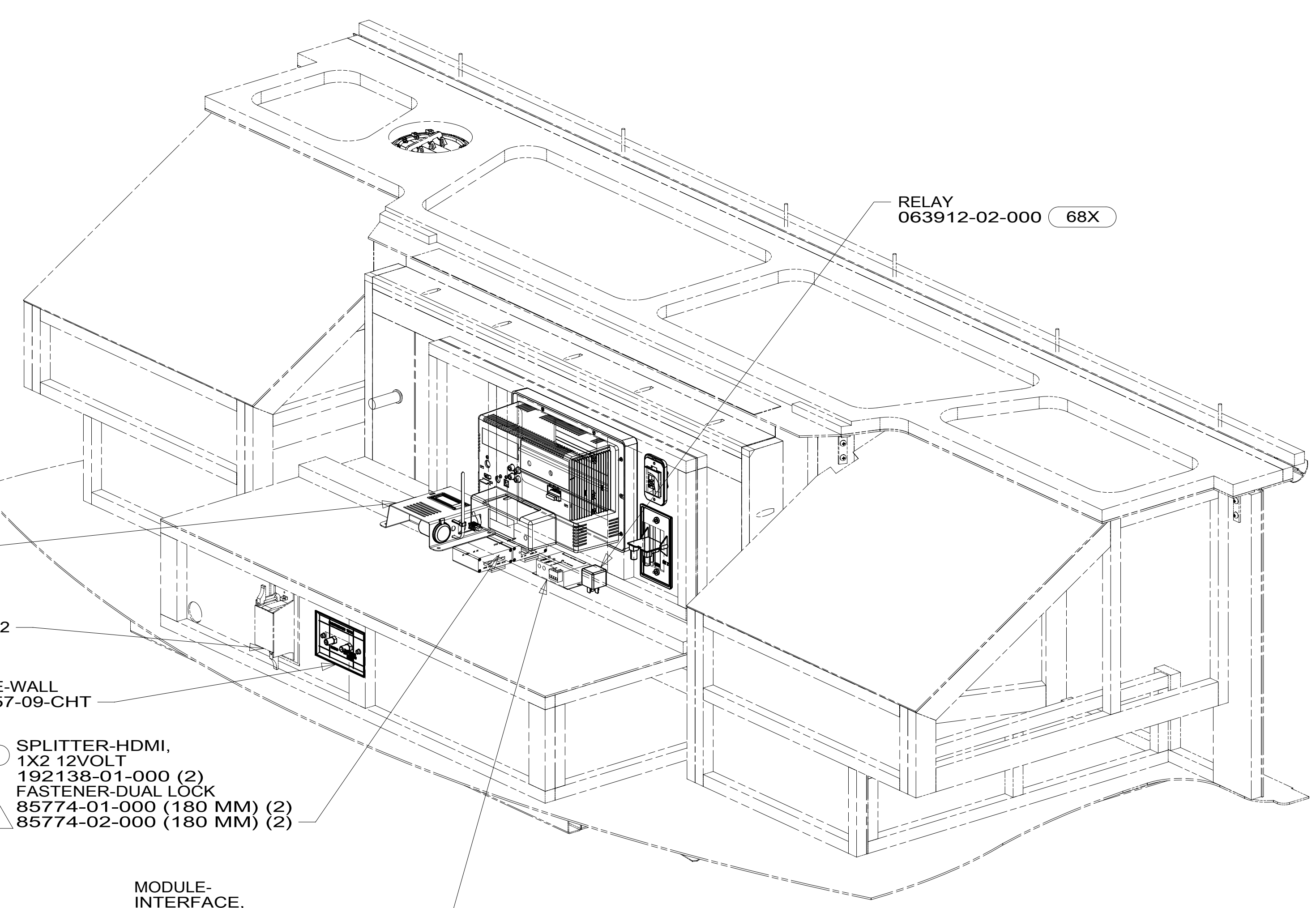
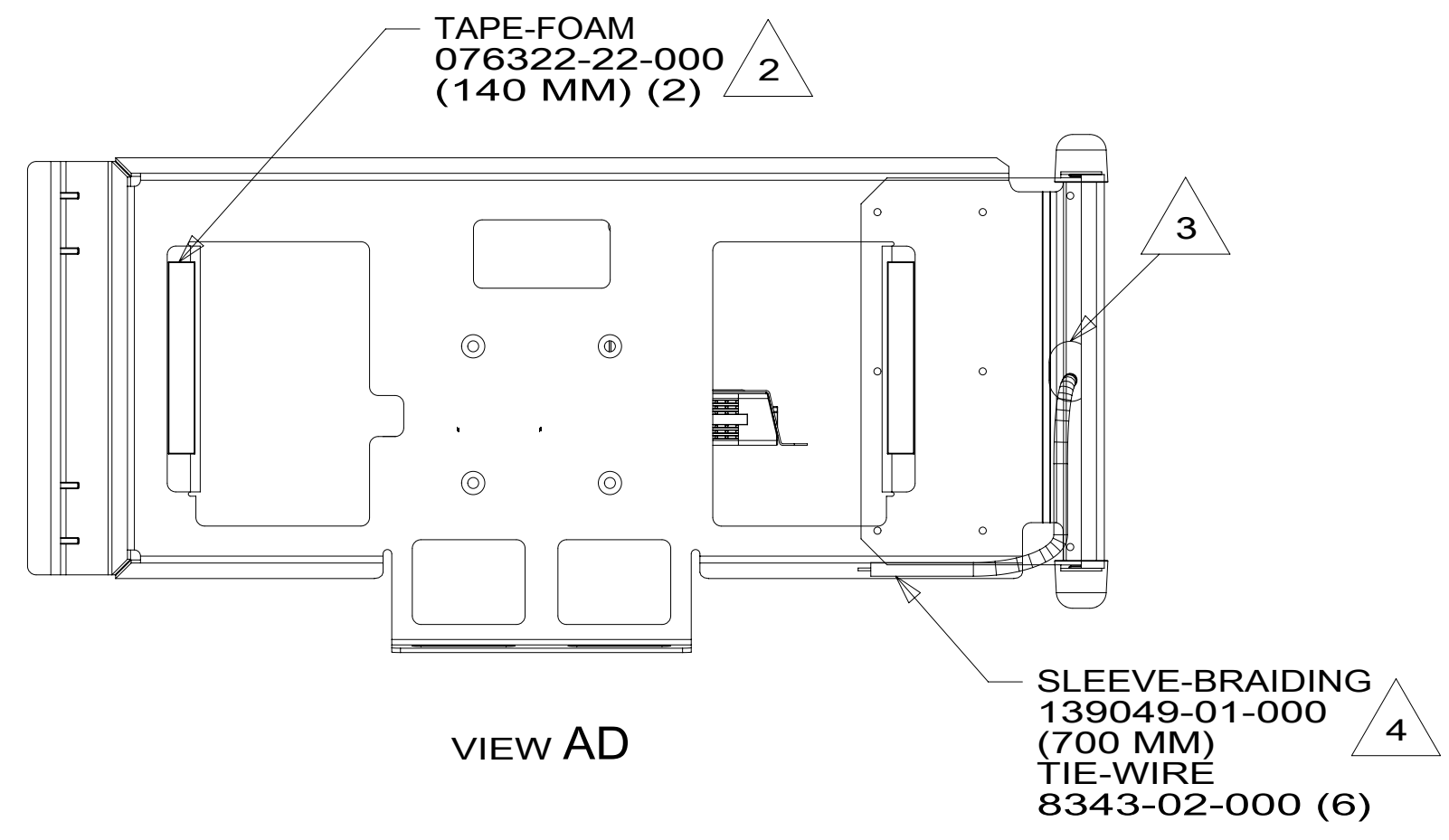
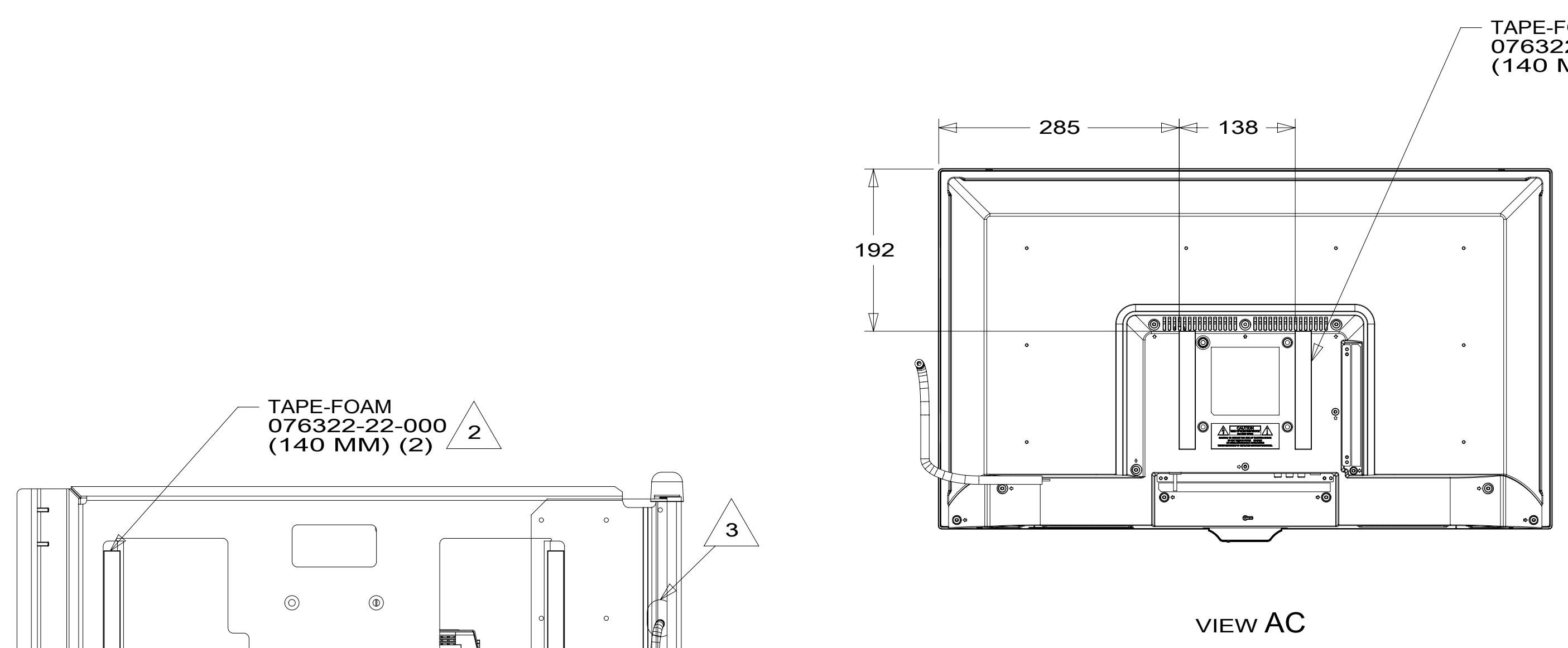


8 7 6 5 4 3 2 1



- NOTES:
- 5 ATTACH DUAL LOCK TO UNDERSIDE OF SPLITTER AND ATTACH TO WOODEN SUPPORT.
  - 4 COVER WIRES, COAX, RCA, & HDMI CABLES WITH BRAIDED SLEEVING AND SECURE TO TV BRACKET WITH TIE-WIRE.
  - 3 HOLE IN BRACKET TO ALIGN WITH HOLE IN CABINET.
  - 2 CLEAN AND APPLY ADHESIVE PROMOTER 87211-01-000 TO BOTH SURFACES.
  - 1 SEE WIRING INSTL-BODY, 110V FOR ADDITIONAL INFORMATION.

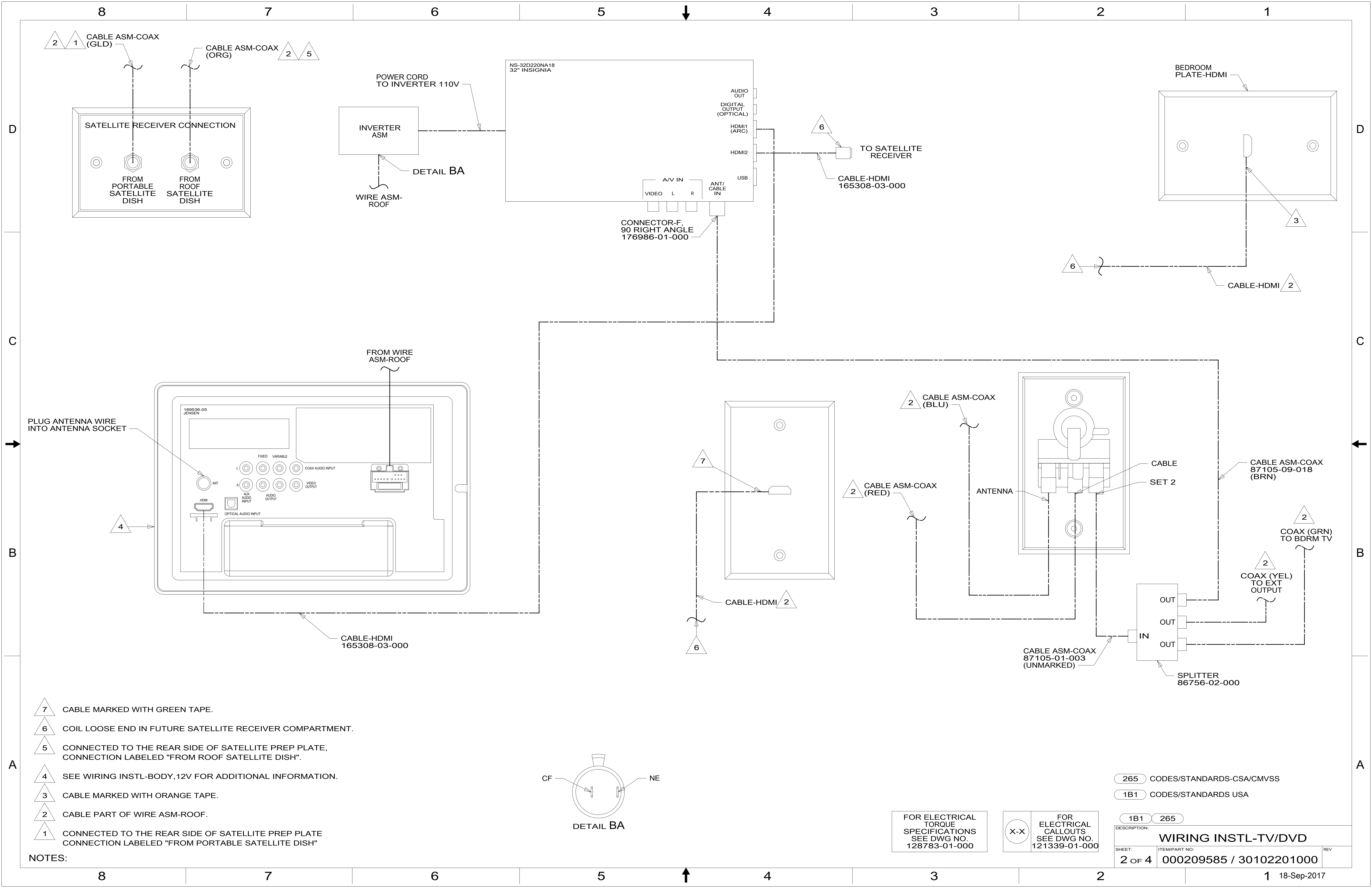
- 68X TV - BEDROOM
- 265 CODES/STANDARDS-CSA/CMVSS
- 1B1 CODES/STANDARDS USA

<b>WINNEBAGO</b>		COPYRIGHT 2016 WINNEBAGO INDUSTRIES, INC.	
DSNR:	ALL DIMENSIONS ARE IN MILLIMETERS		
DFFR:			
UNSPECIFIED TOLERANCES:	MATERIAL:		
WHOLE DIM (X) :	3		
ONE-PLACE (X.X) :	1.5		
TWO-PLACE (X.XX) :	0.50		
ANGLE :	1°		
REFER TO ES0018 FOR FASTENER TIGHTENING GUIDELINES	WEIGHT: (LBS)	FIRST USED:	
		<b>16 423A</b>	
<b>DESCRIPTION: WIRING INSTL-TV/DVD</b>			
SHEET:	ITEM/PART NO:	REV	
<b>1 OF 4</b>	<b>000209585 / 30102201000</b>		
REF:			

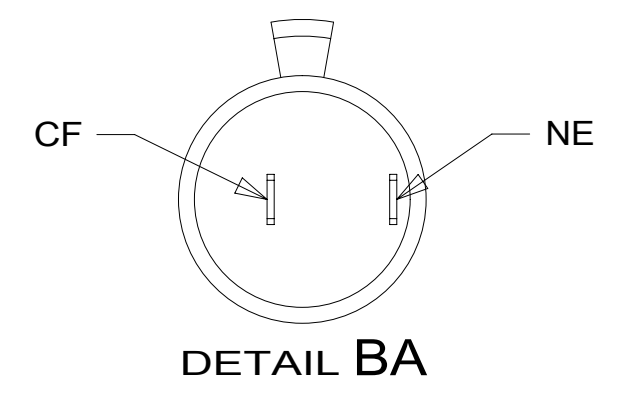
FOR ELECTRICAL TORQUE SPECIFICATIONS SEE DWG NO. 128783-01-000

FOR ELECTRICAL CALLOUTS SEE DWG NO. 121339-01-000

8 7 6 5 4 3 2 1



- NOTES:
- 7 CABLE MARKED WITH GREEN TAPE.
  - 6 COIL LOOSE END IN FUTURE SATELLITE RECEIVER COMPARTMENT.
  - 5 CONNECTED TO THE REAR SIDE OF SATELLITE PREP PLATE, CONNECTION LABELED "FROM ROOF SATELLITE DISH".
  - 4 SEE WIRING INSTL-BODY, 12V FOR ADDITIONAL INFORMATION.
  - 3 CABLE MARKED WITH ORANGE TAPE.
  - 2 CABLE PART OF WIRE ASM-ROOF.
  - 1 CONNECTED TO THE REAR SIDE OF SATELLITE PREP PLATE CONNECTION LABELED "FROM PORTABLE SATELLITE DISH"



FOR ELECTRICAL TORQUE SPECIFICATIONS SEE DWG NO. 128783-01-000

FOR ELECTRICAL CALLOUTS SEE DWG NO. 121339-01-000

- 265 CODES/STANDARDS-CSA/CMVSS
- 1B1 CODES/STANDARDS USA

DESCRIPTION:		1B1 265	
<b>WIRING INSTL-TV/DVD</b>			
SHEET:	ITEM/PART NO.:	REV	
2 OF 4	000209585 / 30102201000		

8 7 6 5 4 3 2 1



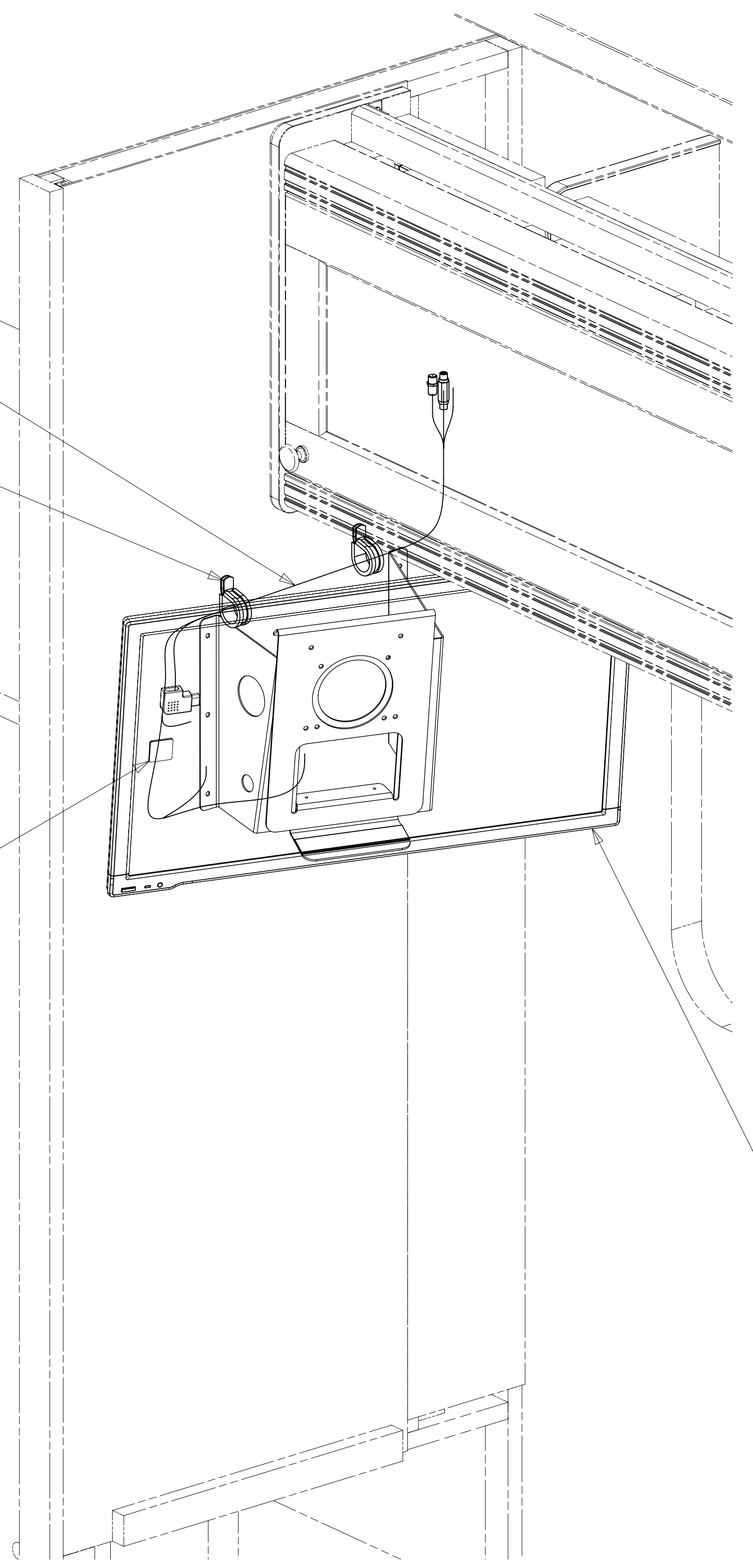
D  
C  
B  
A

D  
C  
B  
A

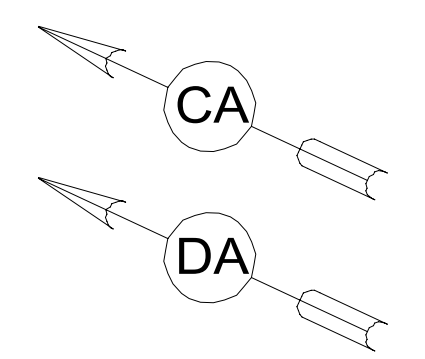
CONDUIT-CONVOLUTE  
041953-03-000  
(500 MM)

CLAMP  
010497-01-000 (2)  
SCREW  
G11-10-08U (2)

TIE-WIRE, MOUNT  
ADHESIVE 1"  
155366-01-000  
TIE-WIRE  
008343-04-000

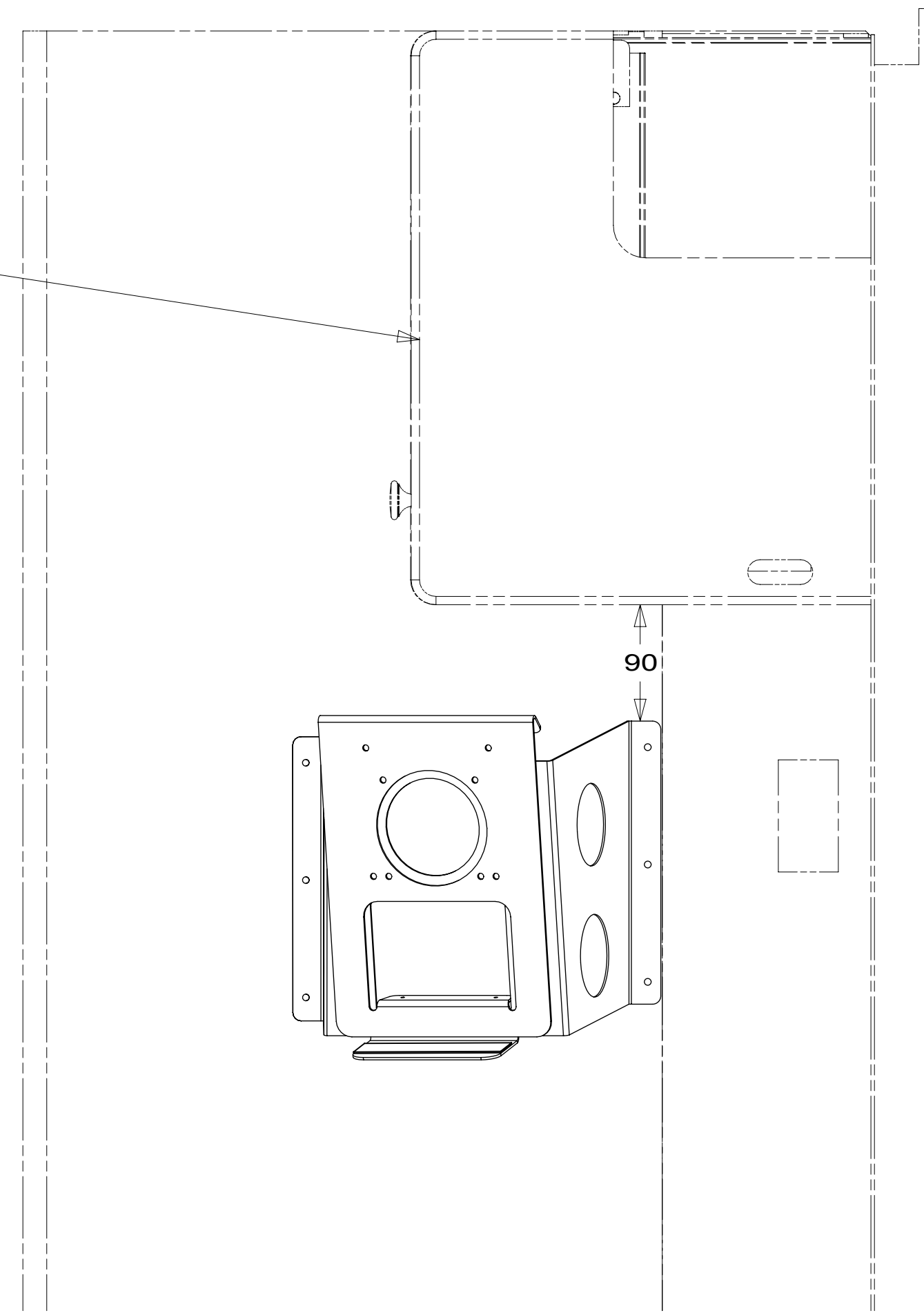


TV-24" HDTV, 12 VDC  
000031269 / 316937-01-000  
BRACKET-TV  
000034270 / 317750-01-CHT  
SCREW  
000G11-10-10U (6)  
PLATE-MOUNTING  
000032972 / 317364-01-CHT  
TAPE-FOAM, DBL COATED, 045X1.0  
076322-23-000 (120 MM)  
SCREW  
0MG02U-04-010 (4)  
SCREW  
G11-08-024 (2)  
CORD-POWER, 12VDC  
191991-01-000



OVHD CABINET  
(REF)

SIDEWALL  
(REF)



VIEW CA  
(TV NOT SHOWN)

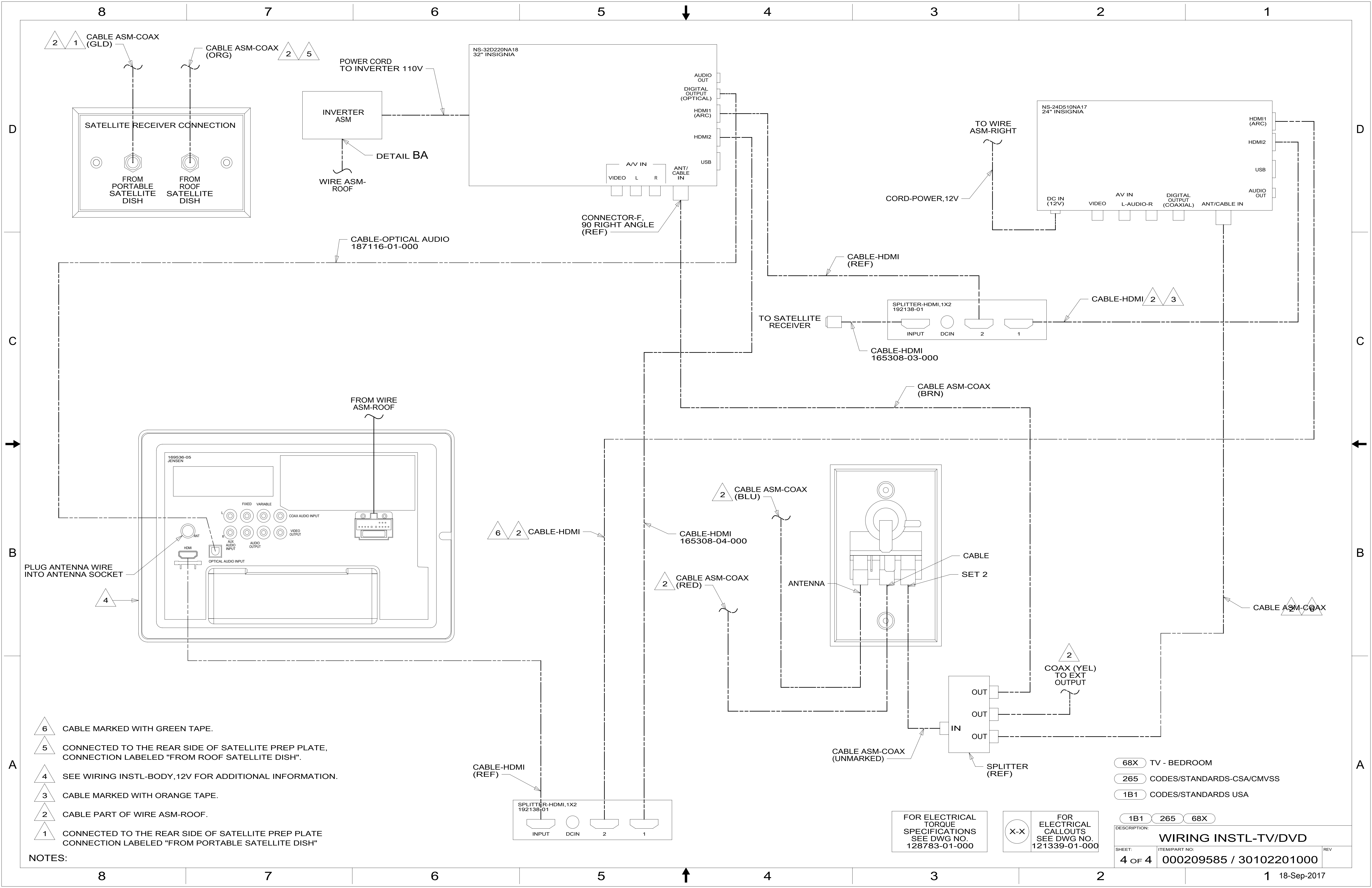
- 68X TV - BEDROOM
- 265 CODES/STANDARDS-CSA/CMVSS
- 1B1 CODES/STANDARDS USA

FOR ELECTRICAL  
TORQUE  
SPECIFICATIONS  
SEE DWG NO.  
128783-01-000

FOR  
ELECTRICAL  
CALLOUTS  
SEE DWG NO.  
121339-01-000

DESCRIPTION:	1B1 265 68X	
<b>WIRING INSTL-TV/DVD</b>		
SHEET:	ITEM/PART NO:	REV
3 OF 4	000209585 / 30102201000	

8 7 6 5 4 3 2 1 18-Sep-2017



- NOTES:
- △6 CABLE MARKED WITH GREEN TAPE.
  - △5 CONNECTED TO THE REAR SIDE OF SATELLITE PREP PLATE, CONNECTION LABELED "FROM ROOF SATELLITE DISH".
  - △4 SEE WIRING INSTL-BODY, 12V FOR ADDITIONAL INFORMATION.
  - △3 CABLE MARKED WITH ORANGE TAPE.
  - △2 CABLE PART OF WIRE ASM-ROOF.
  - △1 CONNECTED TO THE REAR SIDE OF SATELLITE PREP PLATE CONNECTION LABELED "FROM PORTABLE SATELLITE DISH"

FOR ELECTRICAL TORQUE SPECIFICATIONS SEE DWG NO. 128783-01-000

FOR ELECTRICAL CALLOUTS SEE DWG NO. 121339-01-000

- 68X TV - BEDROOM
- 265 CODES/STANDARDS-CSA/CMVSS
- 1B1 CODES/STANDARDS USA

DESCRIPTION:	1B1 265 68X	
<b>WIRING INSTL-TV/DVD</b>		
SHEET:	ITEM/PART NO:	REV
4 OF 4	000209585 / 30102201000	