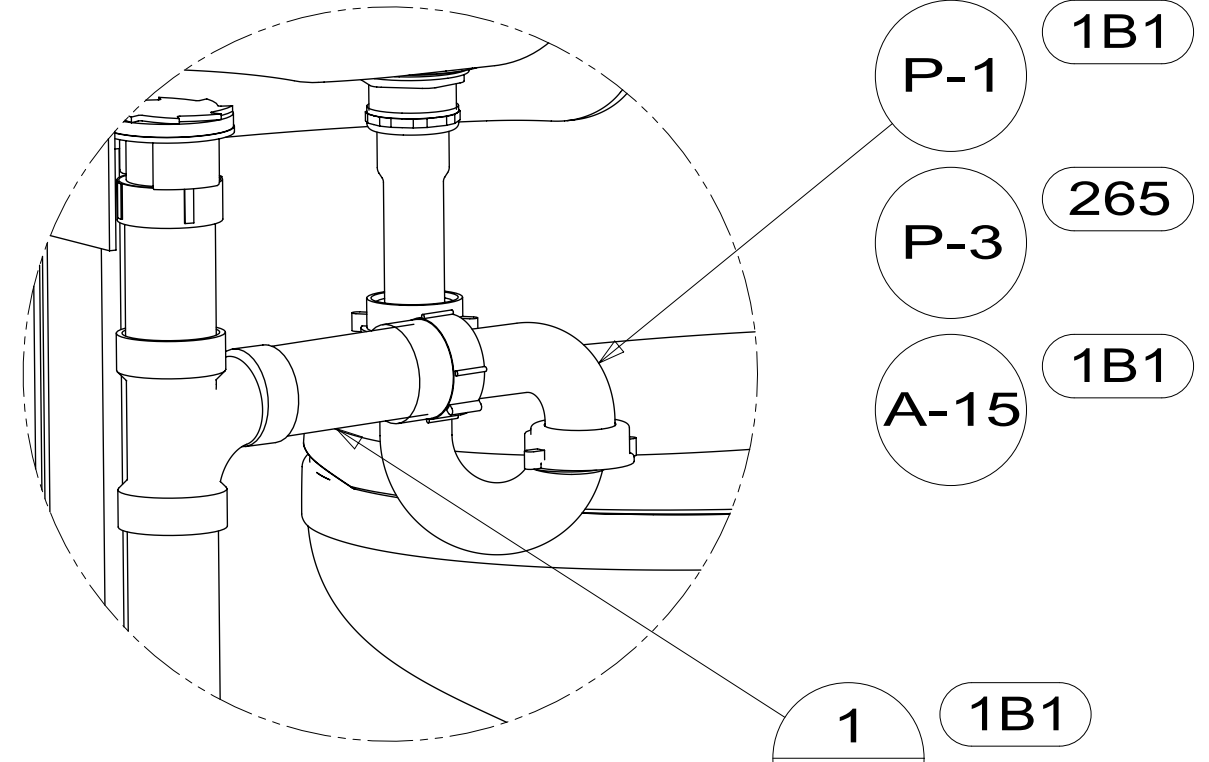
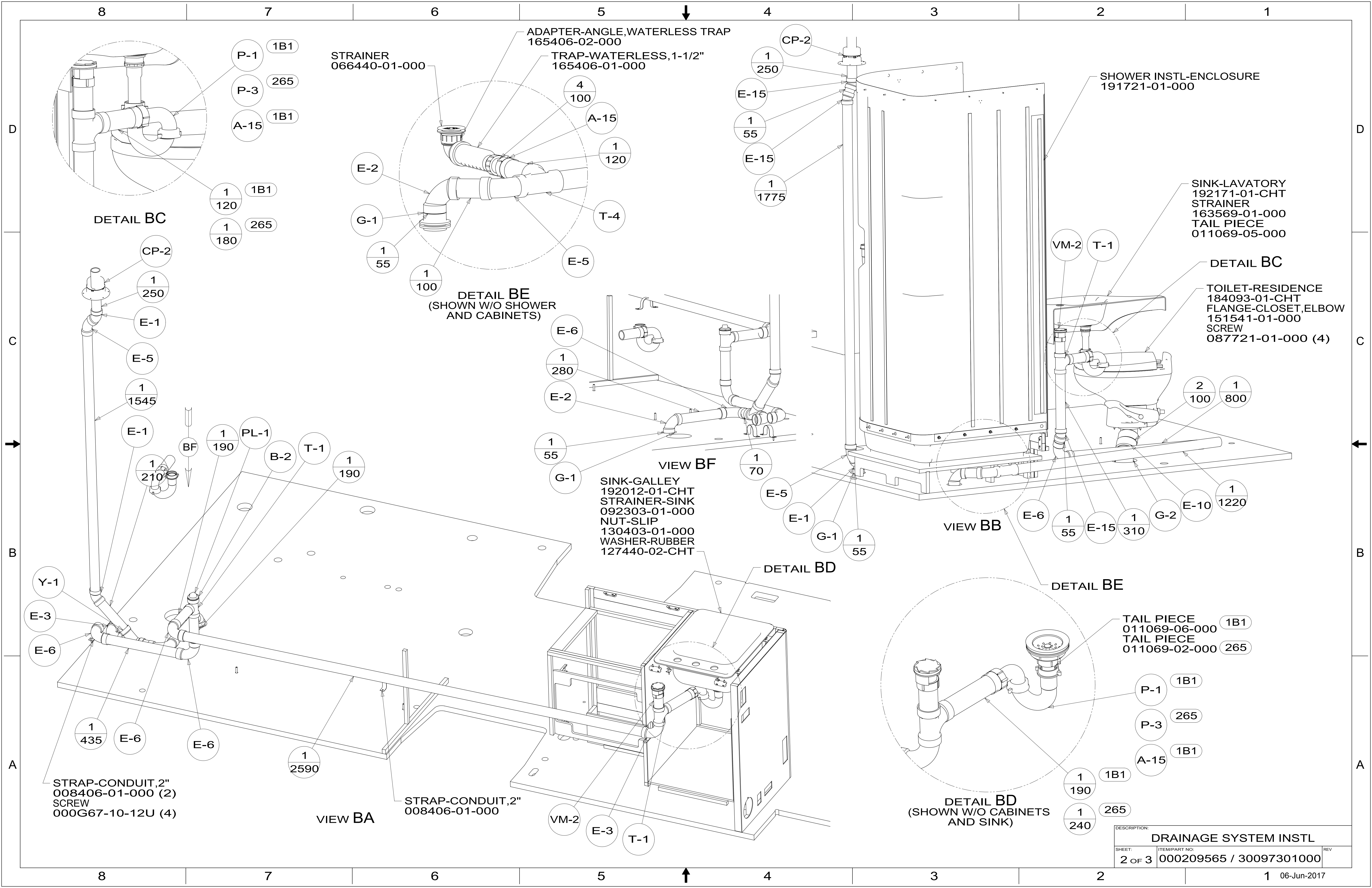


- 11. PREP THE SURFACE PER MANUFACTURERS INSTRUCTIONS BEFORE APPLYING THE HEATING PAD.
- 10. SEE WIRING INSTL-BODY FOR ELECTRICAL CONNECTION.
- 9. SEE DRAWING 061607 FOR INSTALLATION OF GROMMETS.
- 8. SECURE DRAINAGE PIPES TO CABINET USING WIRE TIE 108046-02-000, AND SCREW 000G67-10-12U AT INTERVALS OF NOT OF NOT MORE THAN 4 FEET APART.
- 7. SECURE VENT PIPE TO FLOOR WITH CLAMP 062401-02-000 (2), SCREW 000G67-10-12U (2), BRACKET 136878-01-CHT (2).
- 6. VENT PIPE MUST PROJECT 51 MIN AND 64 MAX ABOVE ROOF FOR PROPER FIT AND FUNCTION. ADD S-1 (116666-01-CHT SEAL-VENT PIPE) AROUND PIPE ON ROOF BEFORE VENT CAP IS INSTALLED.
- 5. SEAL AROUND SHOWER WITH SILICONE.
- 4. USE SMOOTH PLUMBERS PUTTY 167459-01-000 TO SEAL STRAINER (0.2 PER STRAINER).
- 3. ALL PIPE AND FITTINGS TO BE ASSEMBLED WITH SOLVENT 004020-01-000 (USA), 004020-02-000 (CAN)
- 2. SLOPE OF TRAP ARM MUST BE 6 PER 305 mm.
- 1. SLOPE OF HORIZONTAL PIPING TO BE MINIMUM OF 3 PER 305 mm.

- 1B1 CODES/STANDARDS USA
- 265 CODES/STANDARDS-CSA/CMVSS
- 23T DRAINAGE SYSTEM-HEATED

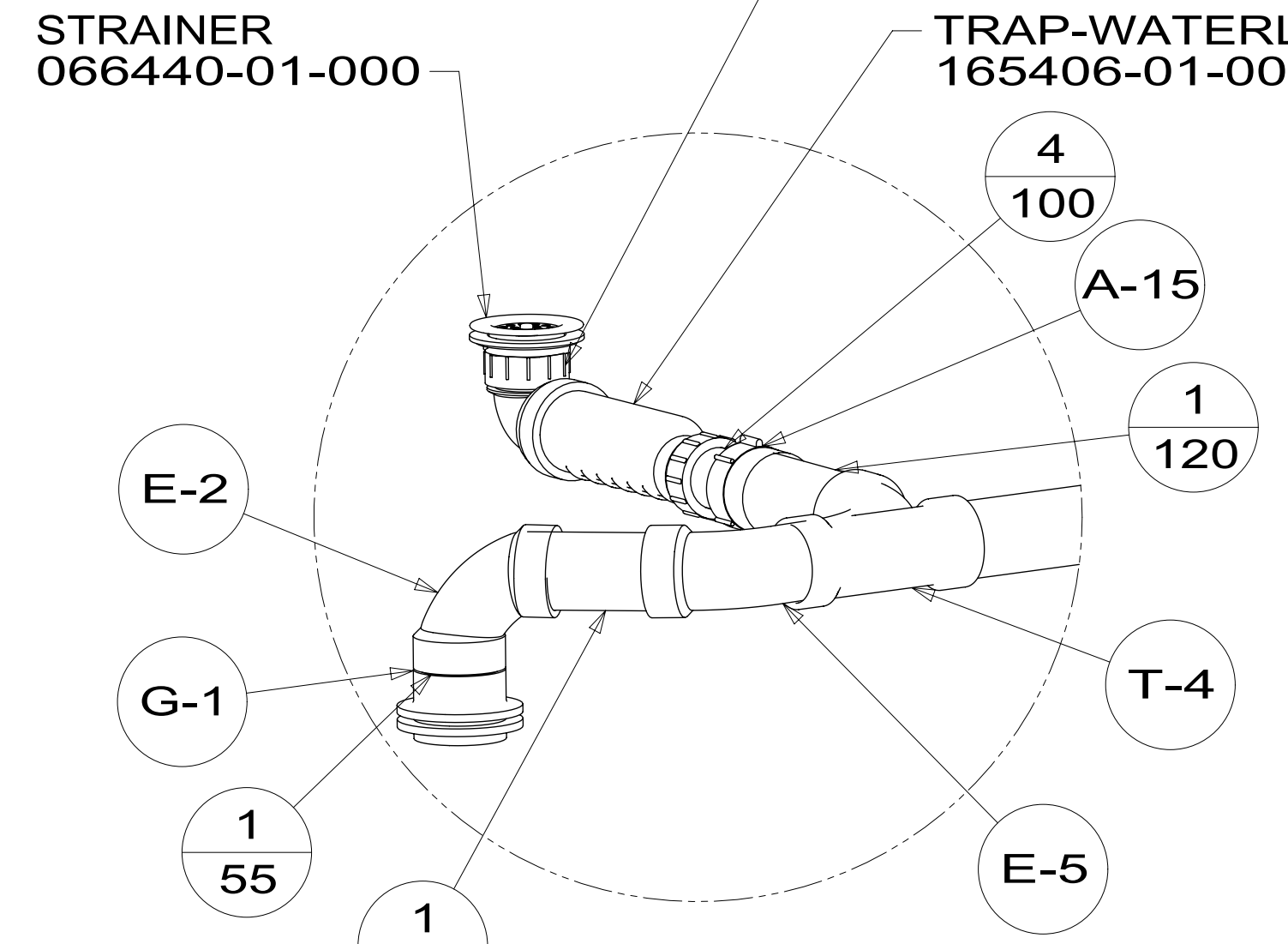
WINNEBAGO COPYRIGHT 2017 WINNEBAGO INDUSTRIES, INC.		
ALL DIMENSIONS ARE IN MILLIMETERS		
UNSPECIFIED TOLERANCES:		MATERIAL:
WHOLE DIM (X) :	3	
ONE-PLACE (X.X) :	1.5	
TWO-PLACE (X.XX) :	0.50	
ANGLE :	1°	
REFER TO ES0018 FOR FASTENER TIGHTENING GUIDELINES	WEIGHT: (LBS)	FIRST USED: (REF)
		16 423A
DRAINAGE SYSTEM INSTL		
SHEET: 1 OF 3	ITEM/PART NO: 000209565 / 30097301000	REV:

FOR DRAINAGE CALLOUTS
 SEE DWG NO.
 000211962 /
 303370-01-000



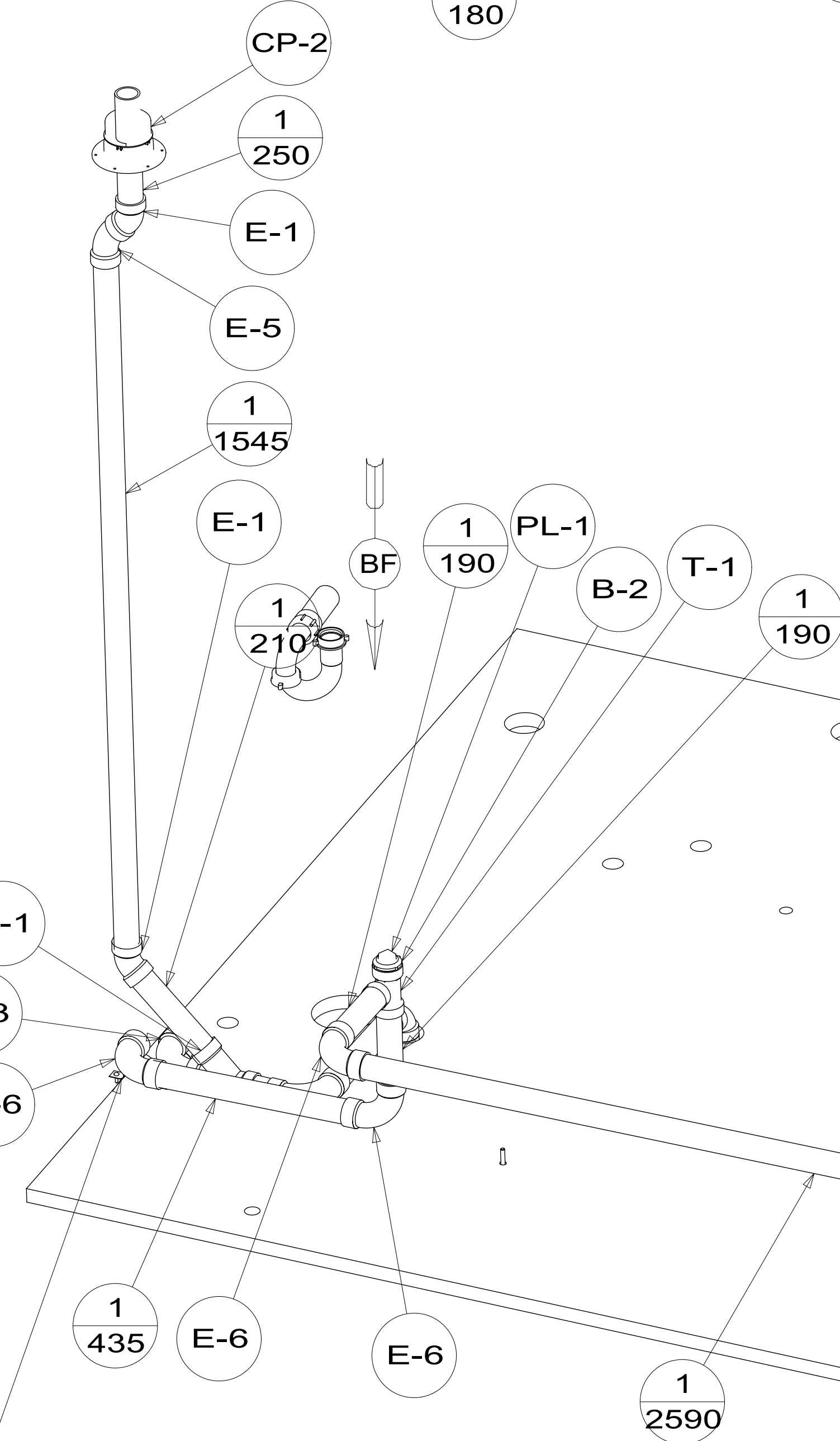
DETAIL BC

- P-1 1B1
- P-3 265
- A-15 1B1
- 1 120 1B1
- 1 180 265



DETAIL BE
(SHOWN W/O SHOWER AND CABINETS)

- STRAINER 066440-01-000
- ADAPTER-ANGLE, WATERLESS TRAP 165406-02-000
- TRAP-WATERLESS, 1-1/2" 165406-01-000
- 4 100
- A-15
- 1 120
- E-2
- G-1
- 1 55
- 1 100
- T-4
- E-5

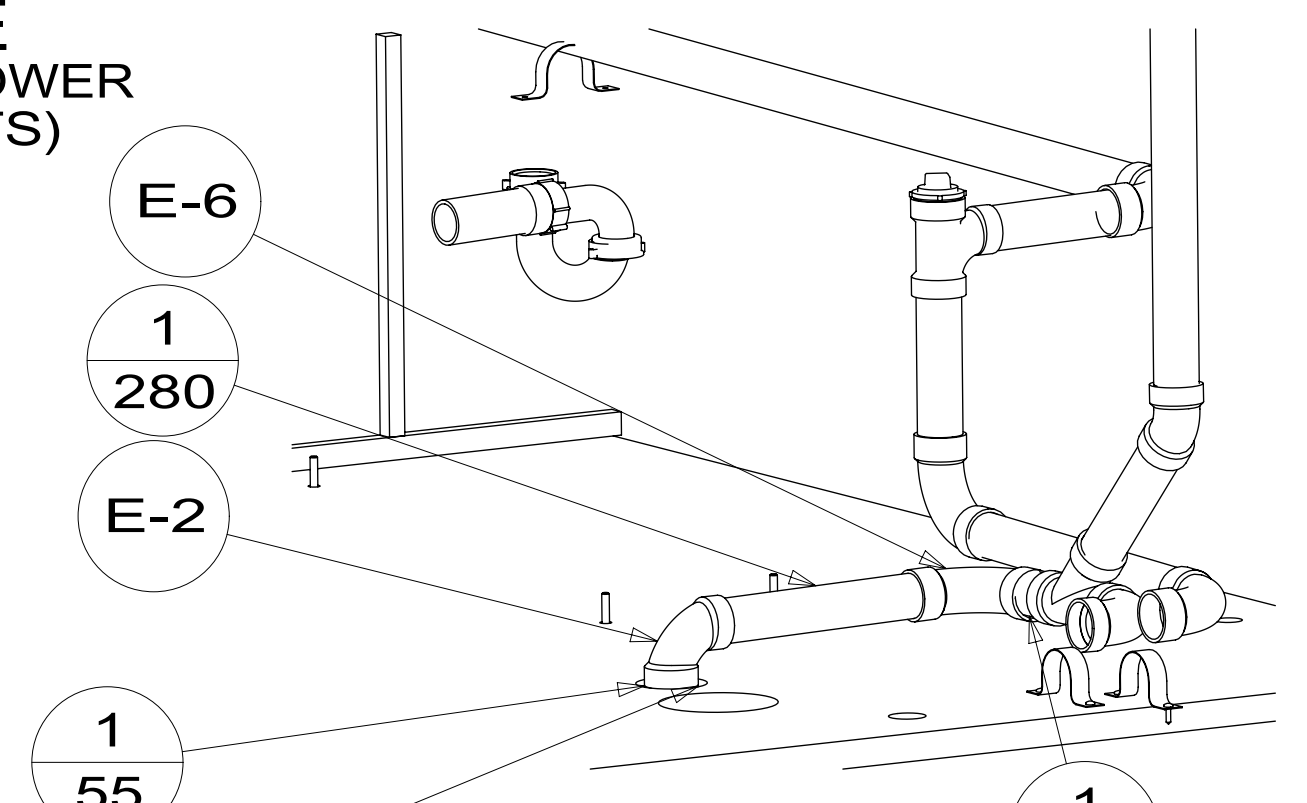


VIEW BA

- CP-2
- 1 250
- E-1
- E-5
- 1 1545
- E-1
- 1 210 BF
- 1 190 PL-1
- B-2
- T-1
- 1 190
- Y-1
- E-3
- E-6
- 1 435
- E-6
- E-6
- 1 2590

STRAP-CONDUIT, 2" 008406-01-000 (2)
SCREW 000G67-10-12U (4)

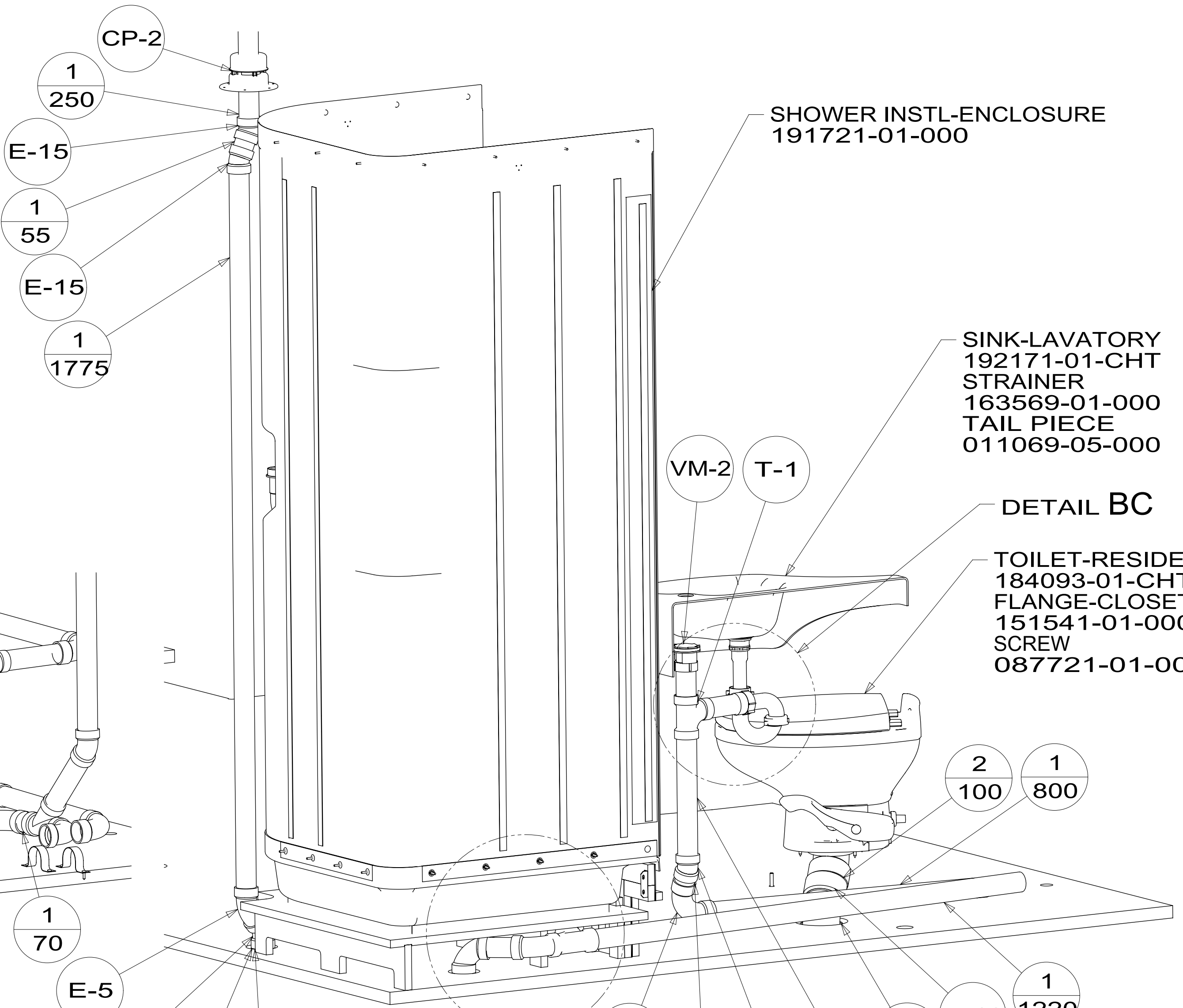
STRAP-CONDUIT, 2" 008406-01-000



VIEW BF

- SINK-GALLEY 192012-01-CHT
- STRAINER-SINK 092303-01-000
- NUT-SLIP 130403-01-000
- WASHER-RUBBER 127440-02-CHT
- E-6
- 1 280
- E-2
- 1 55
- G-1
- 1 70

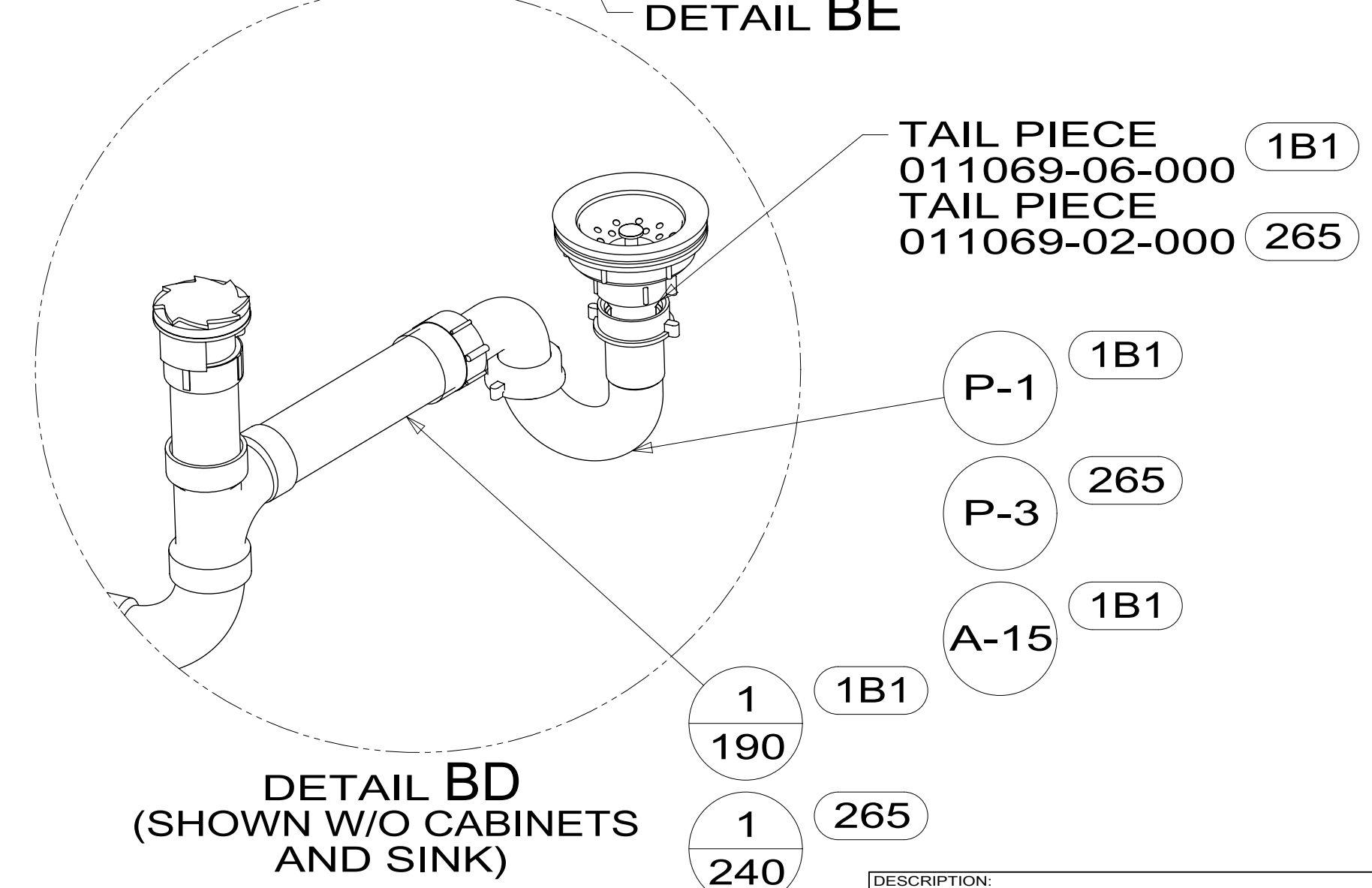
DETAIL BD



VIEW BB

- SHOWER INSTL-ENCLOSURE 191721-01-000
- SINK-LAVATORY 192171-01-CHT
- STRAINER 163569-01-000
- TAIL PIECE 011069-05-000
- DETAIL BC
- TOILET-RESIDENCE 184093-01-CHT
- FLANGE-CLOSET, ELBOW 151541-01-000
- SCREW 087721-01-000 (4)
- 2 100
- 1 800
- 1 1220
- E-6
- 1 55
- E-15
- 1 310
- G-2
- E-10
- 1 1220
- E-5
- E-1
- G-1
- 1 55
- VM-2
- T-1
- CP-2
- 1 250
- E-15
- 1 55
- E-15
- 1 1775

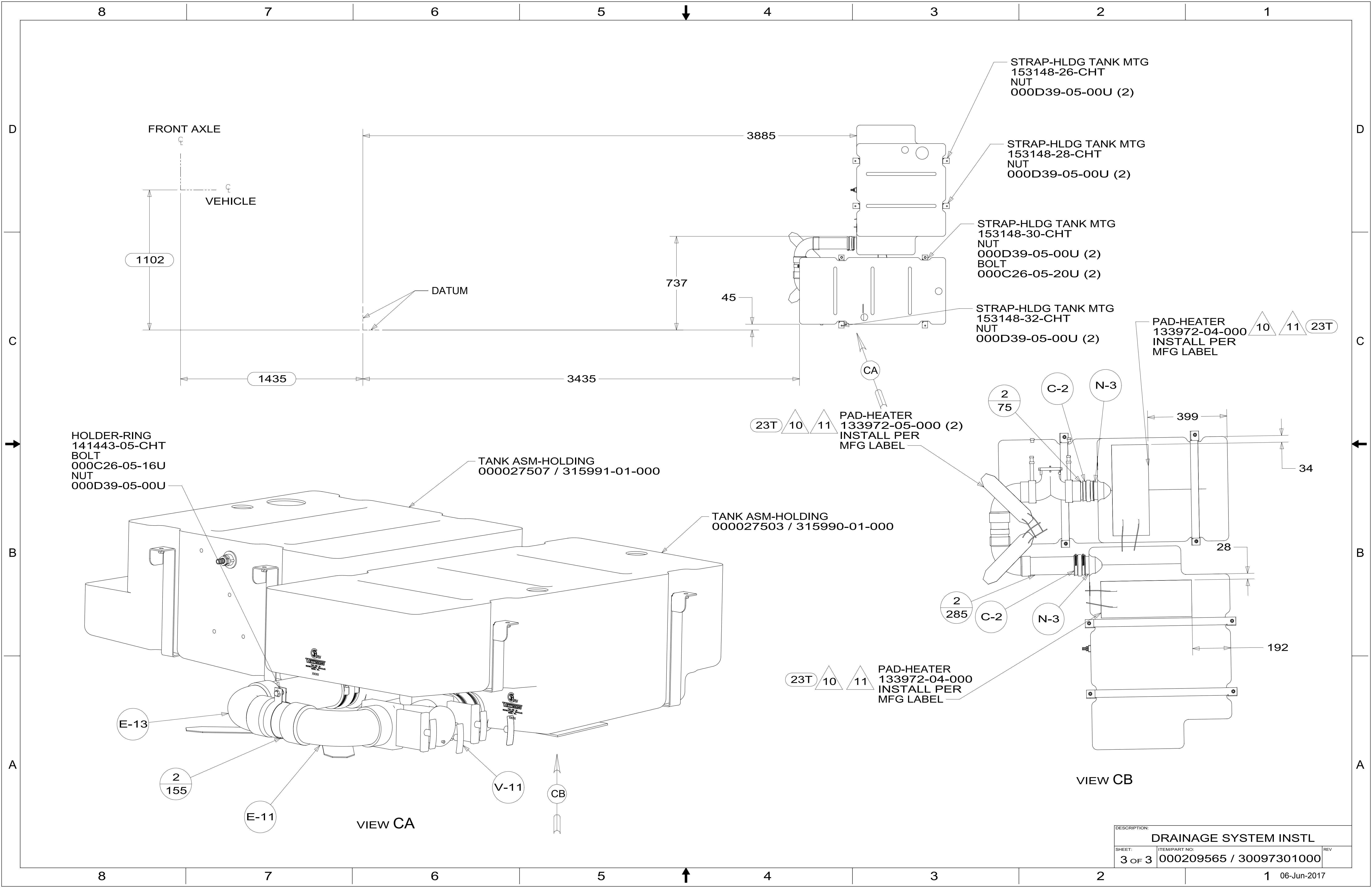
DETAIL BE



DETAIL BD
(SHOWN W/O CABINETS AND SINK)

- TAIL PIECE 011069-06-000 1B1
- TAIL PIECE 011069-02-000 265
- P-1 1B1
- P-3 265
- A-15 1B1
- 1 190 1B1
- 1 265
- 1 240

DESCRIPTION:		
DRAINAGE SYSTEM INSTL		
SHEET:	ITEM/PART NO.:	REV:
2 OF 3	000209565 / 30097301000	



FRONT AXLE

VEHICLE

1102

DATUM

737

45

3885

1435

3435

STRAP-HLDG TANK MTG
153148-26-CHT
NUT
000D39-05-00U (2)

STRAP-HLDG TANK MTG
153148-28-CHT
NUT
000D39-05-00U (2)

STRAP-HLDG TANK MTG
153148-30-CHT
NUT
000D39-05-00U (2)
BOLT
000C26-05-20U (2)

STRAP-HLDG TANK MTG
153148-32-CHT
NUT
000D39-05-00U (2)

PAD-HEATER
133972-04-000 10 11 23T
INSTALL PER
MFG LABEL

HOLDER-RING
141443-05-CHT
BOLT
000C26-05-16U
NUT
000D39-05-00U

TANK ASM-HOLDING
000027507 / 315991-01-000

TANK ASM-HOLDING
000027503 / 315990-01-000

23T 10 11
PAD-HEATER
133972-05-000 (2)
INSTALL PER
MFG LABEL

23T 10 11
PAD-HEATER
133972-04-000
INSTALL PER
MFG LABEL

E-13

2
155

E-11

V-11

CB

VIEW CA

2
75

C-2

N-3

399

34

28

2
285

C-2

N-3

192

VIEW CB

DESCRIPTION: DRAINAGE SYSTEM INSTL		
SHEET: 3 OF 3	ITEM/PART NO: 000209565 / 30097301000	REV