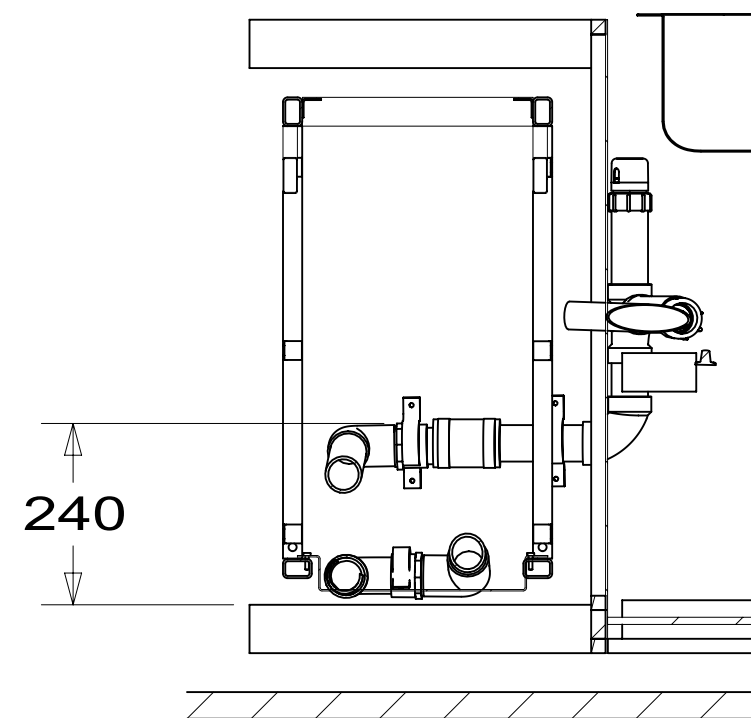


- 14. LOCATE BACK EDGE OF TOILET 70MM FROM SIDEWALL.
- 13. REMOVE SWIVEL NUT ON TRAP-WATERLESS 165406-01-000, AND CONNECT A-10.
- 12. REQUIRES 5 GALLONS RV ANTIFREEZE 182955-01-000 PER TOILET. FOLLOW TECMA TOILET WINTERIZATION PROCEDURE.
- 11. GLUE FITTING AFTER CABINET IS INSTALLED.
- 10. APPLY PRIMER 126427-02-000 AND CEMENT 126427-01-000 BETWEEN ELBOW AND FLEX PIPE.
 - 9. SEE DRAWING 061607 FOR INSTALLATION OF GROMMETS.
 - 8. SECURE DRAINAGE PIPES TO CABINET USING WIRE TIE 108046-02-000, AND SCREW 000G67-10-12U AT INTERVALS OF NOT OF NOT MORE THAN 4 FEET APART.
 - 7. SECURE VENT PIPE TO GROMMET WITH CLAMP 062401-02-000.
 - 6. VENT PIPE MUST PROJECT 51 MIN AND 64 MAX ABOVE ROOF FOR PROPER FIT AND FUNCTION. ADD S-1 (116666-01-CHT SEAL-VENT PIPE) AROUND PIPE ON ROOF BEFORE VENT CAP IS INSTALLED.
 - 5. SEAL AROUND SHOWER WITH SILICONE.
 - 4. USE SMOOTH PLUMBERS PUTTY 167459-01-000 TO SEAL STRAINER (0.2 PER STRAINER).
 - 3. ALL PIPE AND FITTINGS TO BE ASSEMBLED WITH SOLVENT 004020-01-000 (USA), 004020-02-000 (CAN)
 - 2. SLOPE OF TRAP ARM MUST BE 6 PER 305 mm.
 - 1. SLOPE OF HORIZONTAL PIPING TO BE MINIMUM OF 3 PER 305 mm.



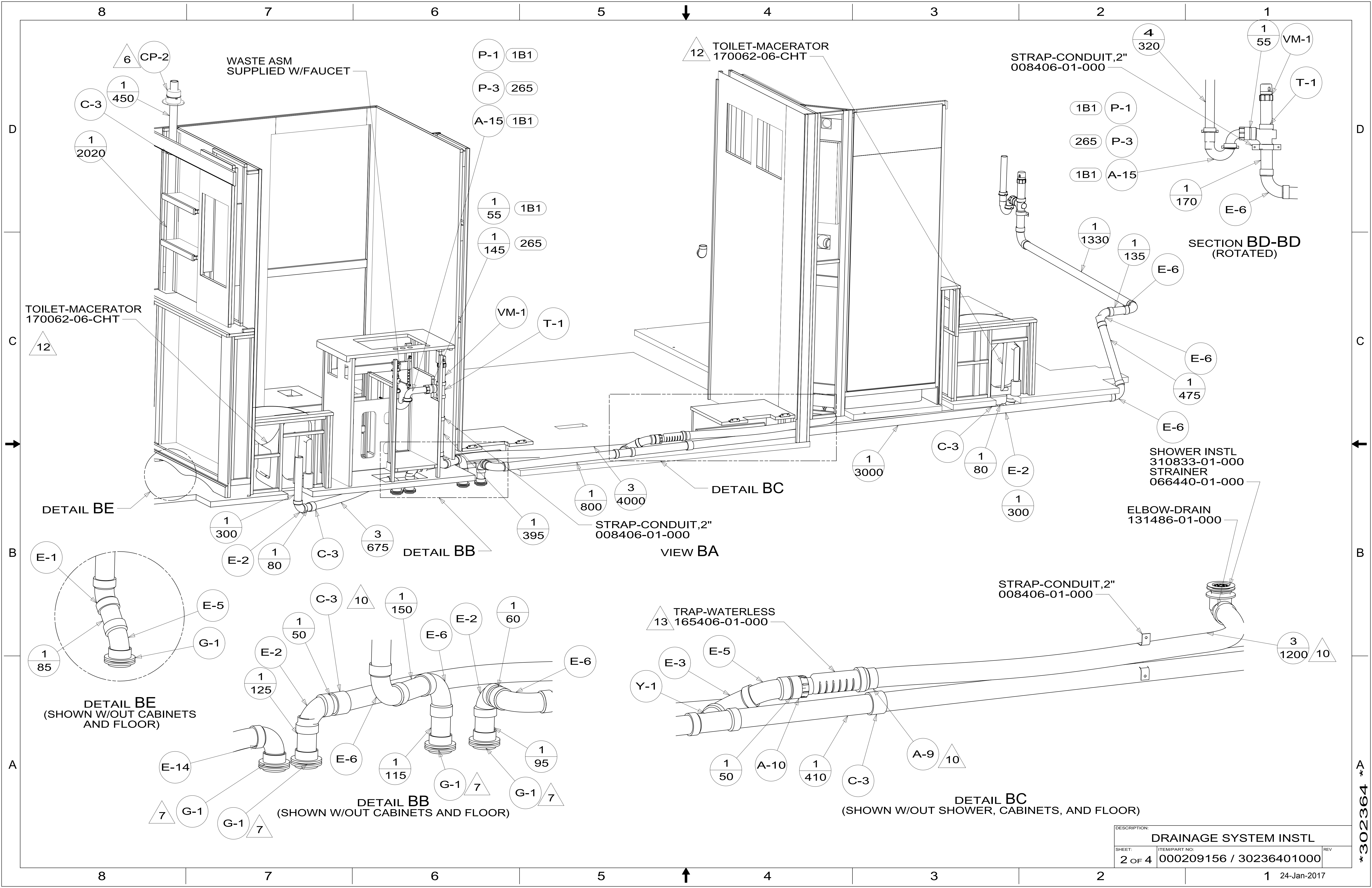
SECTION AA-AA

FOR DRAINAGE CALLOUTS SEE DWG NO. 000211962 / 303370-01-000

- 1B1 CODES/STANDARDS USA
- 265 CODES/STDS-CSA,CMVSS

WINNEBAGO COPYRIGHT 2016 WINNEBAGO INDUSTRIES, INC.		
DSNR:	ALL DIMENSIONS ARE IN MILLIMETERS	
DIFTR:	MATERIAL:	
UNSPECIFIED TOLERANCES:		
WHOLE DIM (X) :	3	
ONE-PLACE (X.X) :	1.5	
TWO-PLACE (X.XX) :	0.50	
ANGLE :	1°	
REFER TO ES0018 FOR FASTENER TIGHTENING GUIDELINES	WEIGHT: (LBS)	FIRST USED: (REF)
		16 R45RL
DRAINAGE SYSTEM INSTL		
SHEET: 1 OF 4	ITEM/PART NO: 000209156 / 30236401000	REV:
REF:		1 24-Jan-2017

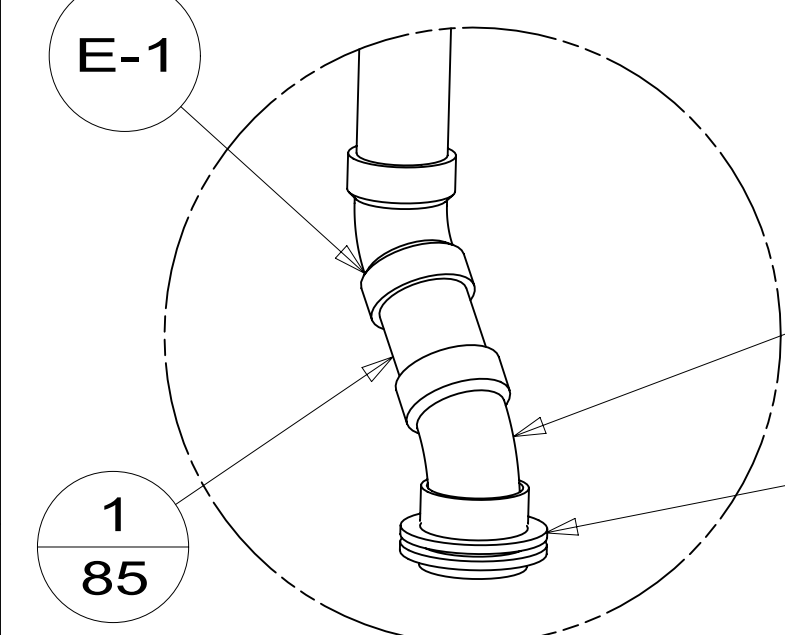
*302364 *A



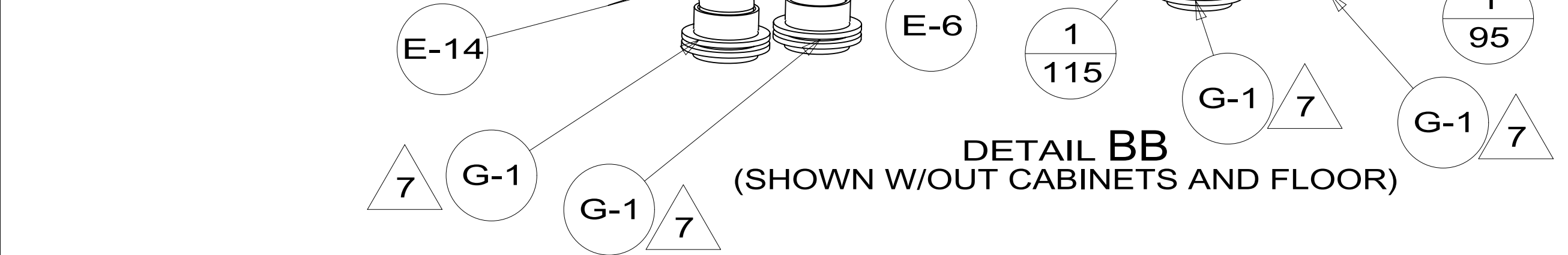
TOILET-MACERATOR
170062-06-CHT

12

DETAIL BE



DETAIL BE
(SHOWN W/OUT CABINETS
AND FLOOR)



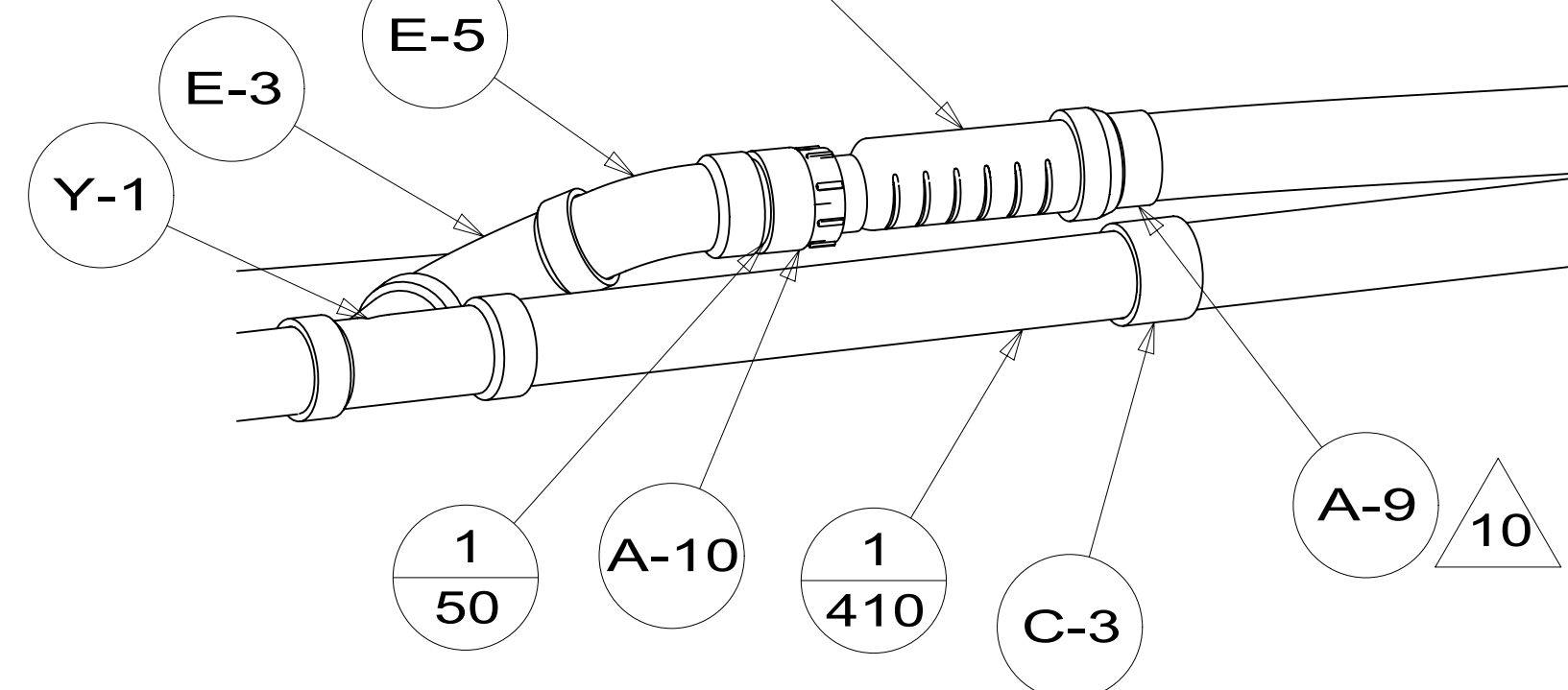
DETAIL BB
(SHOWN W/OUT CABINETS
AND FLOOR)

DETAIL BC

STRAP-CONDUIT, 2"
008406-01-000

VIEW BA

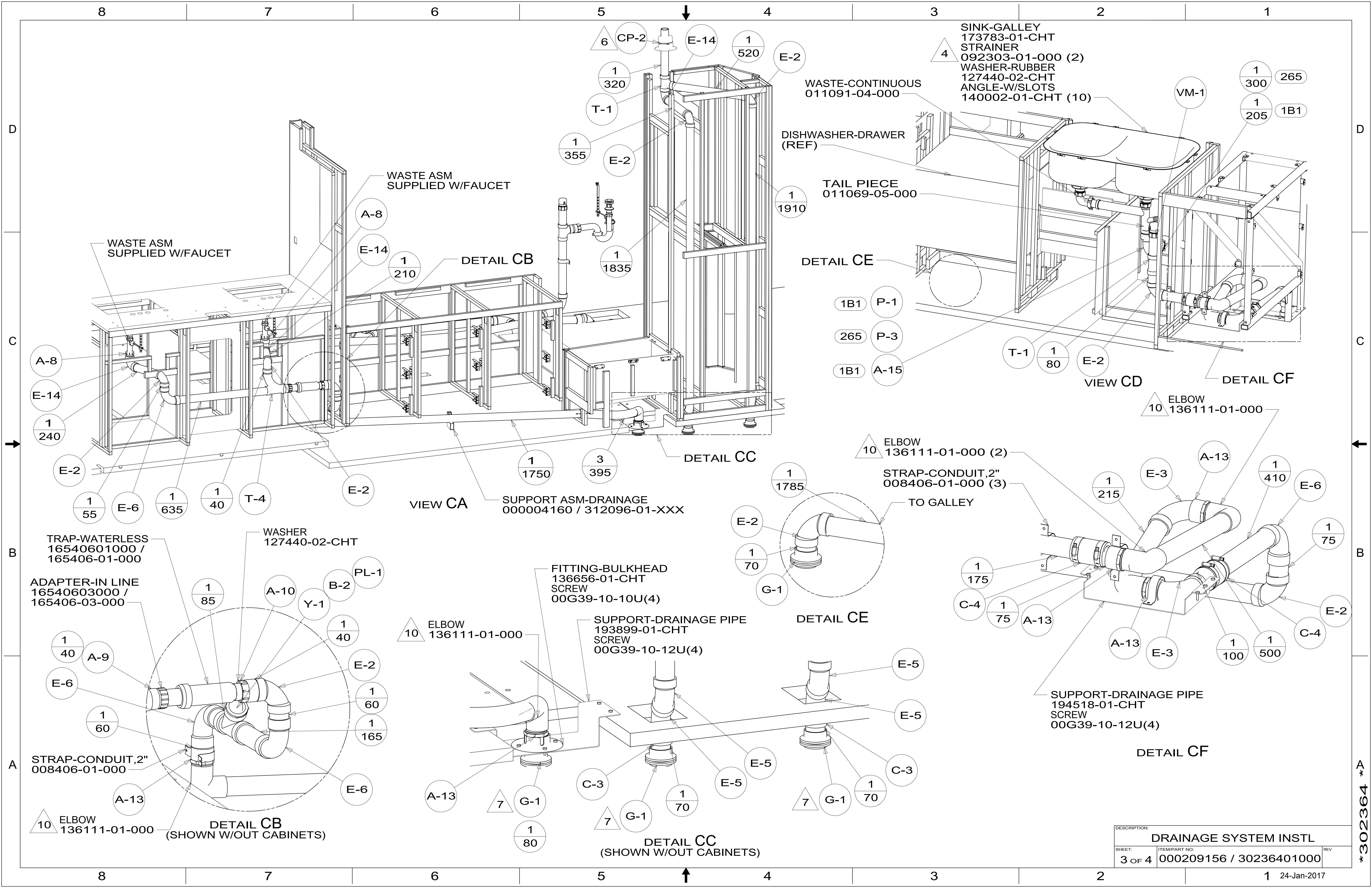
TRAP-WATERLESS
13 165406-01-000



DETAIL BC
(SHOWN W/OUT SHOWER, CABINETS,
AND FLOOR)

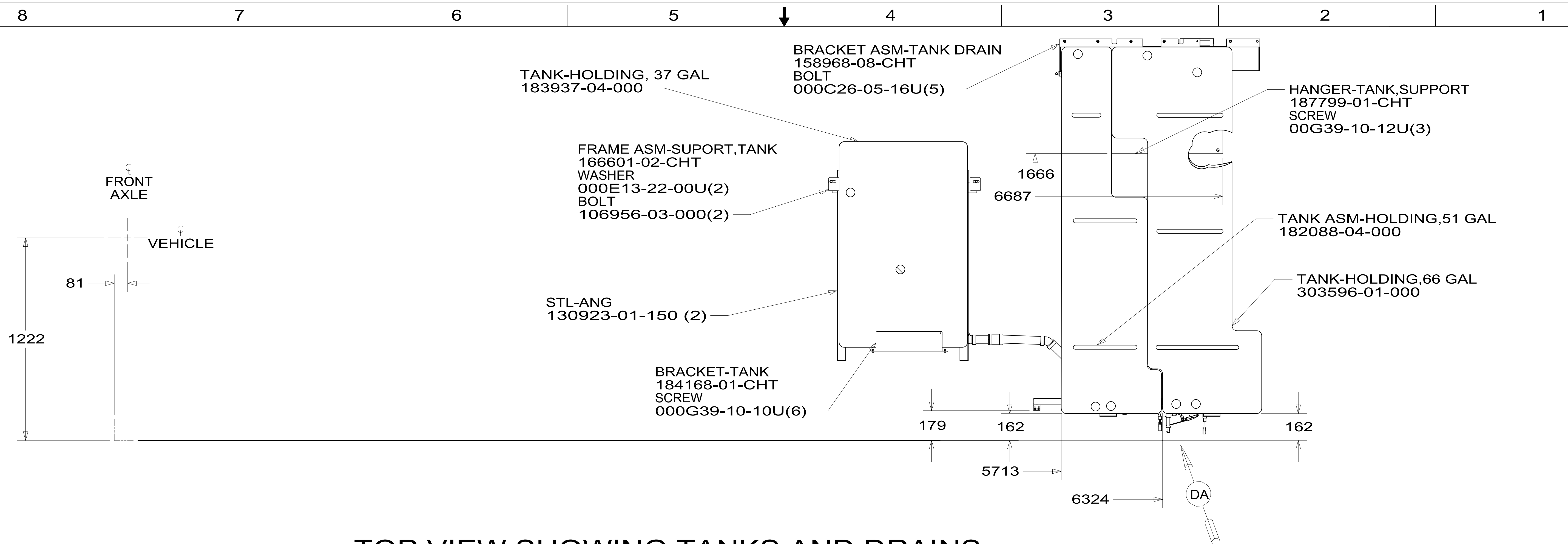
STRAP-CONDUIT, 2"
008406-01-000

DESCRIPTION: DRAINAGE SYSTEM INSTL		
SHEET: 2 OF 4	ITEM/PART NO: 000209156 / 30236401000	REV

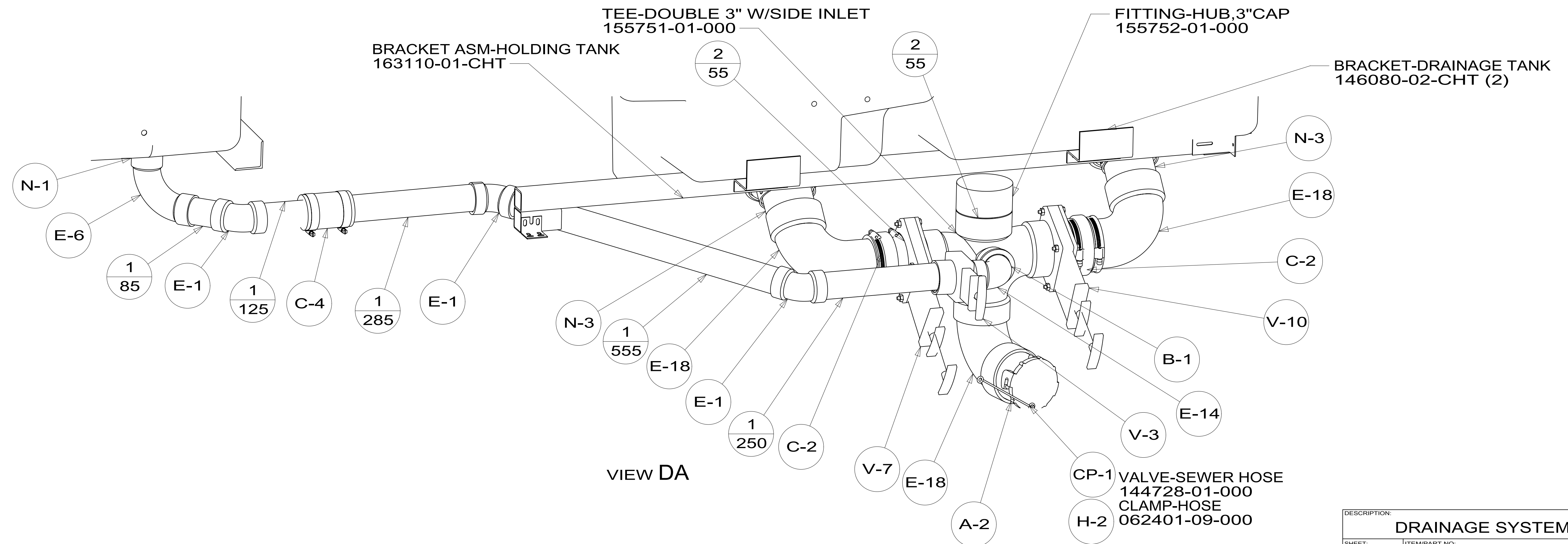


DESCRIPTION:		
DRAINAGE SYSTEM INSTL		
SHEET:	ITEM/PART NO.:	REV
3 OF 4	000209156 / 30236401000	

302364



TOP VIEW SHOWING TANKS AND DRAINS



DESCRIPTION:		
DRAINAGE SYSTEM INSTL		
SHEET:	ITEM/PART NO:	REV
4 OF 4	000209156 / 30236401000	

*302364 *A