

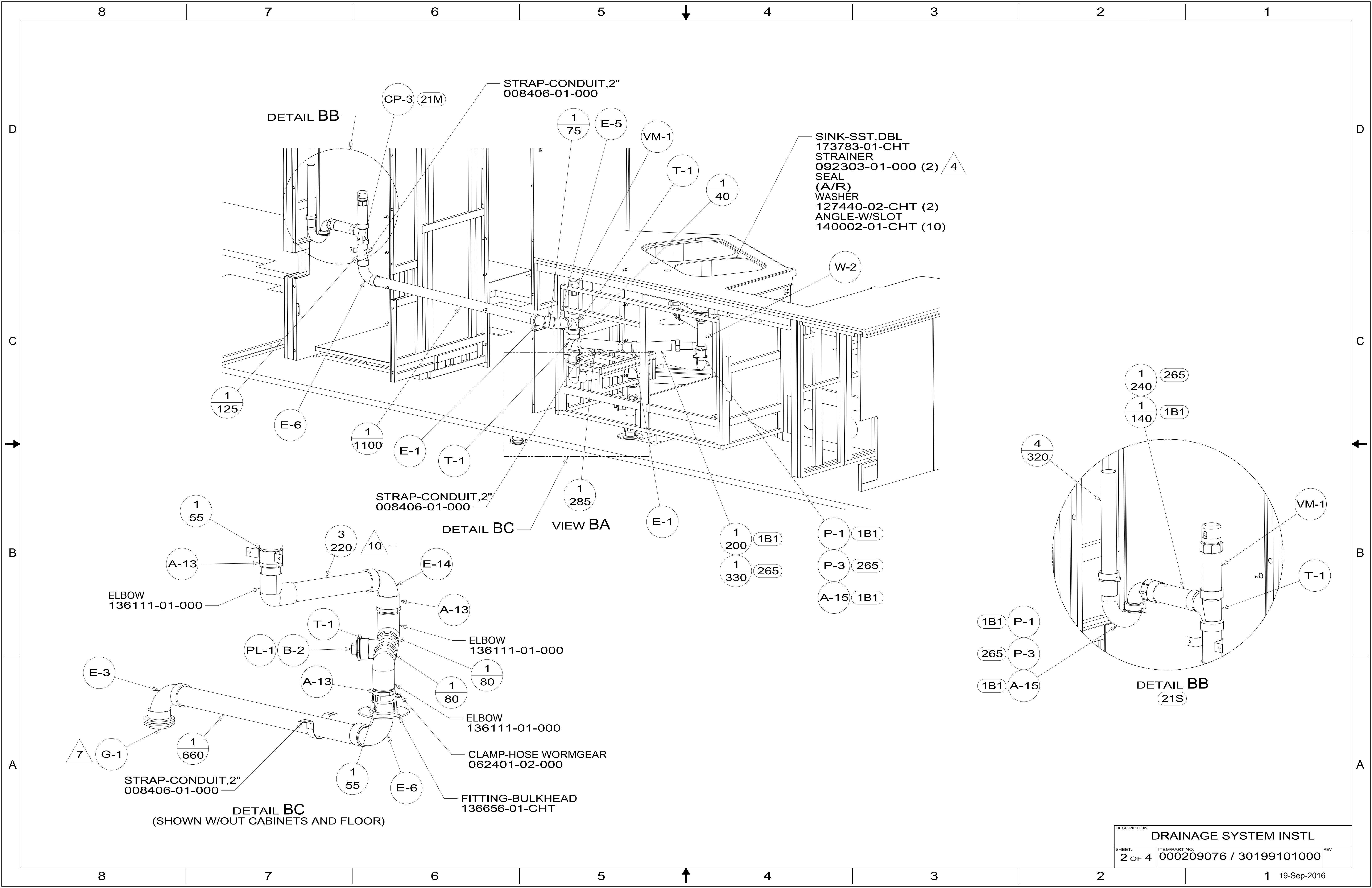
- 11 ADD TEFLON TAPE 010405-01-000.
- 10 APPLY PRIMER 126427-02-000 AND CEMENT 126427-01-000 BETWEEN ELBOW AND FLEX PIPE.
  - 9. SEE DRAWING 061607 FOR INSTALLATION OF GROMMETS.
  - 8. SECURE DRAINAGE PIPES TO CABINET USING WIRE TIE 108046-02-000, AND SCREW 000G67-10-12U AT INTERVALS OF NOT OF NOT MORE THAN 4 FEET APART.
  - 7 SECURE VENT PIPE TO GROMMET WITH CLAMP 062401-02-000.
  - 6 VENT PIPE MUST PROJECT 51 MIN AND 64 MAX ABOVE ROOF FOR PROPER FIT AND FUNCTION. ADD S-1 (116666-01-CHT SEAL-VENT PIPE) AROUND PIPE ON ROOF BEFORE VENT CAP IS INSTALLED.
  - 5. SEAL AROUND SHOWER WITH SILICONE.
  - 4 USE SMOOTH PLUMBERS PUTTY 167459-01-000 TO SEAL STRAINER (0.2 PER STRAINER).
  - 3. ALL PIPE AND FITTINGS TO BE ASSEMBLED WITH SOLVENT 004020-01-000 (USA), 004020-02-000 (CAN)
  - 2. SLOPE OF TRAP ARM MUST BE 6 PER 305 mm.
  - 1. SLOPE OF HORIZONTAL PIPING TO BE MINIMUM OF 3 PER 305 mm.

- 265 CODES/STANDARDS-CSA/CMVSS
- 1B1 CODES/STANDARDS USA
- 21M WASHER/DRYER PREP
- 21S WASHER & DRYER-PAIR

X-X  
FOR  
DRAINAGE  
CALLOUTS  
SEE DWG NO  
116229-01-000

**WINNEBAGO**  
COPYRIGHT 2016 WINNEBAGO INDUSTRIES, INC.

DSNR:		ALL DIMENSIONS ARE IN MILLIMETERS	
DIFTR:		⊕	
UNSPECIFIED TOLERANCES:		MATERIAL:	
WHOLE DIM (X) :	3		
ONE-PLACE (X.X) :	1.5		
TWO-PLACE (X.XX) :	0.50		
ANGLE :	1°	WEIGHT: (LBS)	FIRST USED: (REF)
REFER TO ES0018 FOR FASTENER TIGHTENING GUIDELINES			
<b>DESCRIPTION:</b>			
<b>DRAINAGE SYSTEM INSTL</b>			
SHEET:	ITEM/PART NO:	REV	
1 OF 4	000209076 / 30199101000		
REF:		1 19-Sep-2016	



TOILET-STYLE LITE, W/SPRAYER  
 160815-01-CHT  
 SCREW  
 087721-01-000 (6)

WASTE ASM-LAV, POPUP, VESSEL  
 176640-03-CHT

SHOWER INSTL  
 182340-02-000  
 STRAINER  
 066440-01-000  
 NUT  
 130403-01-000  
 TAILPIECE  
 011069-02-000

DETAIL CC

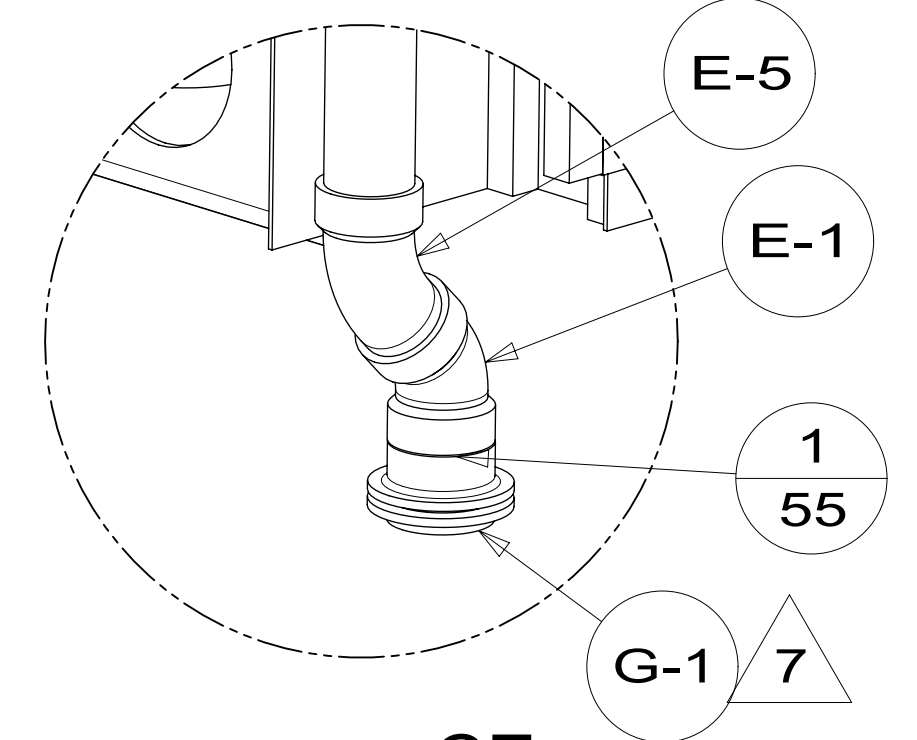
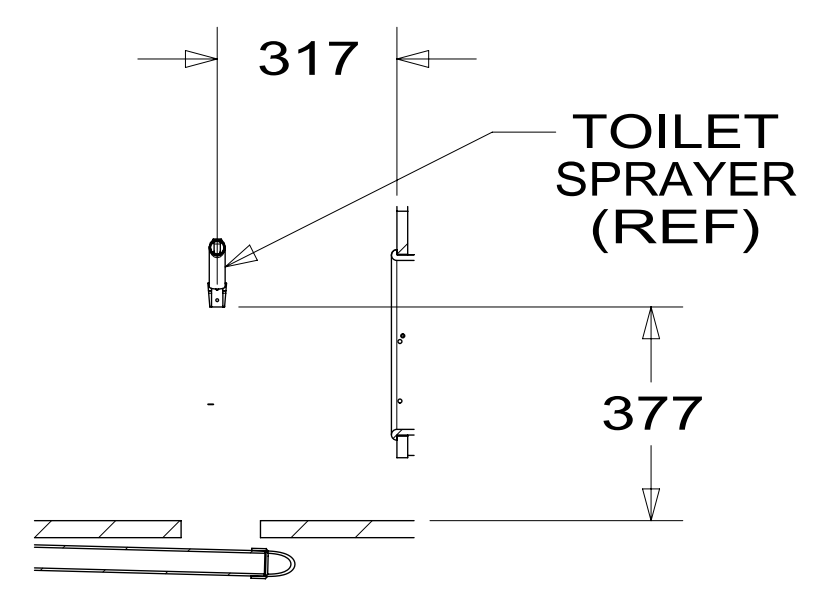
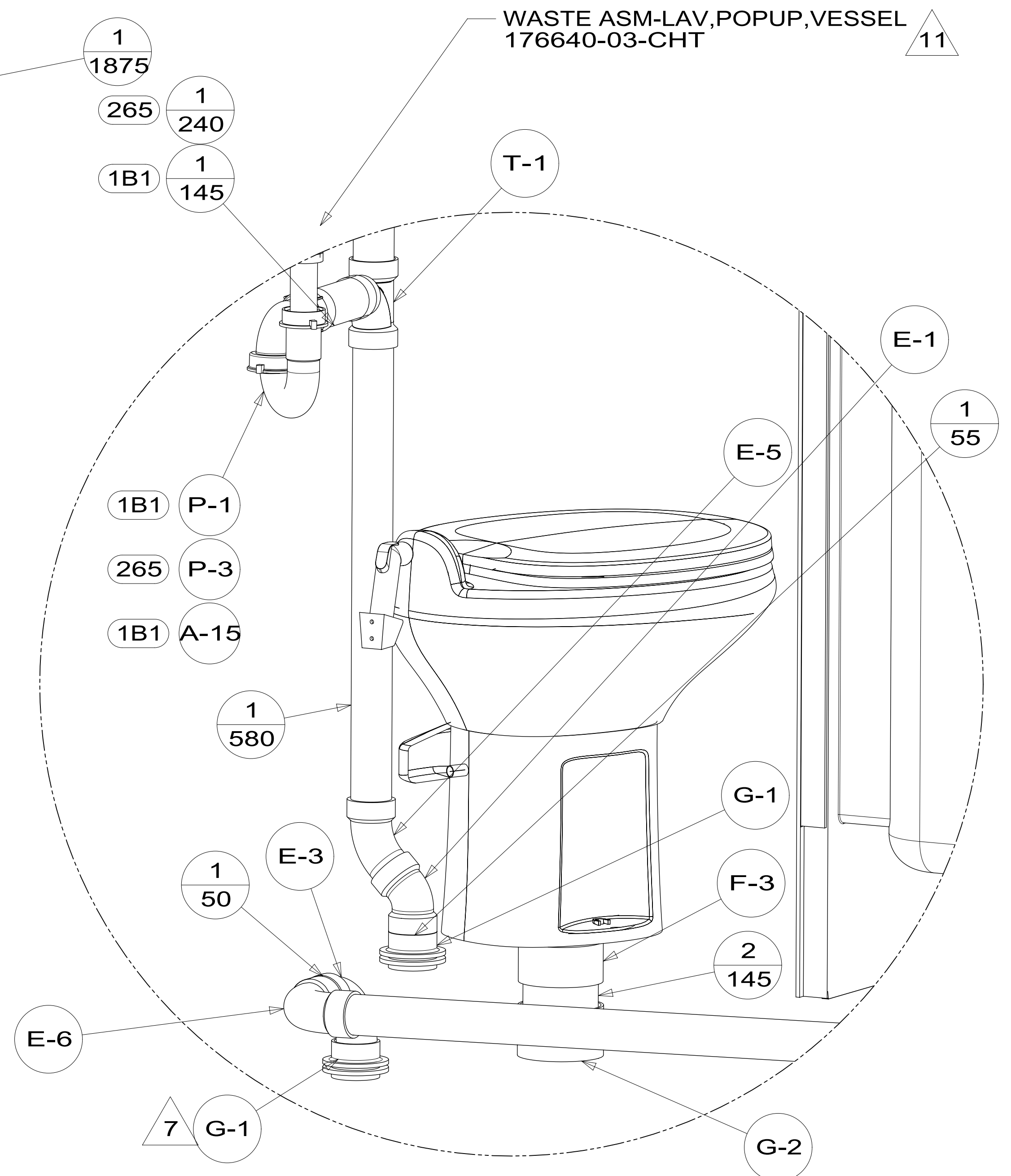
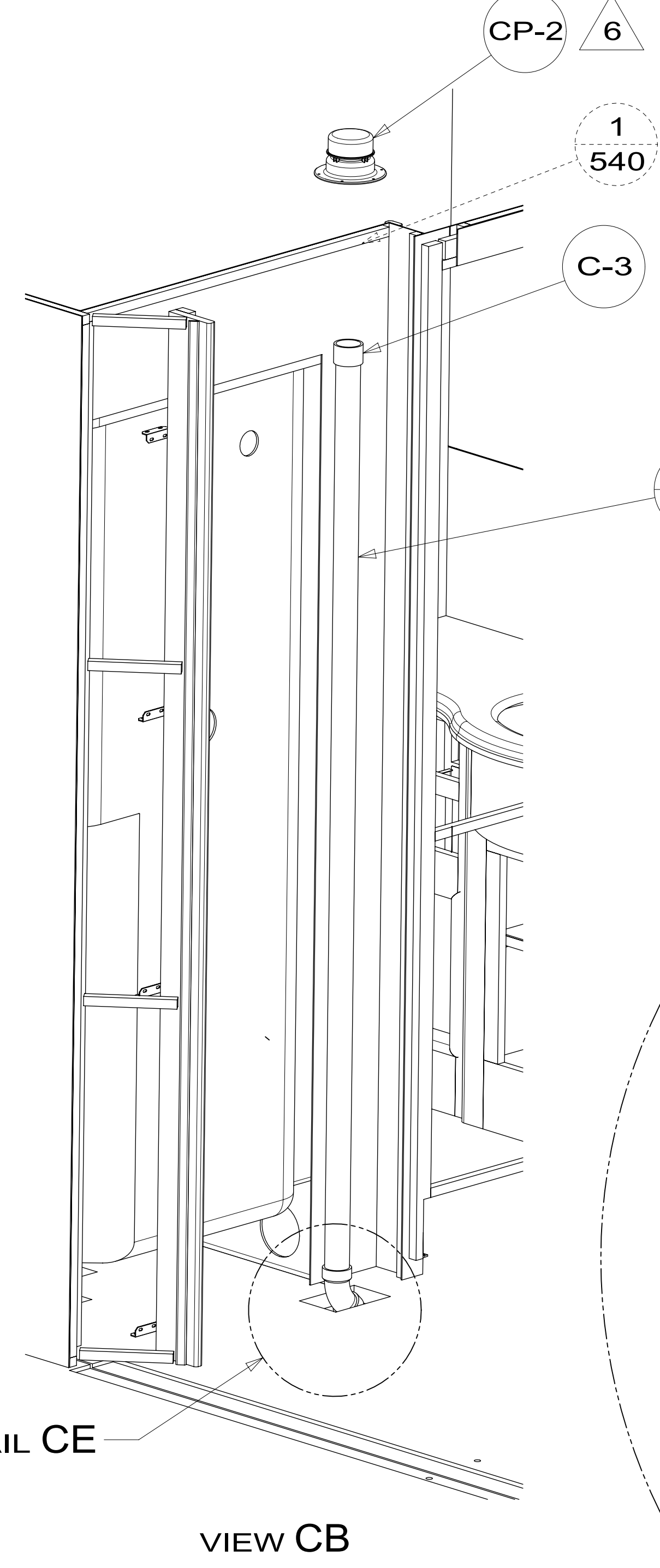
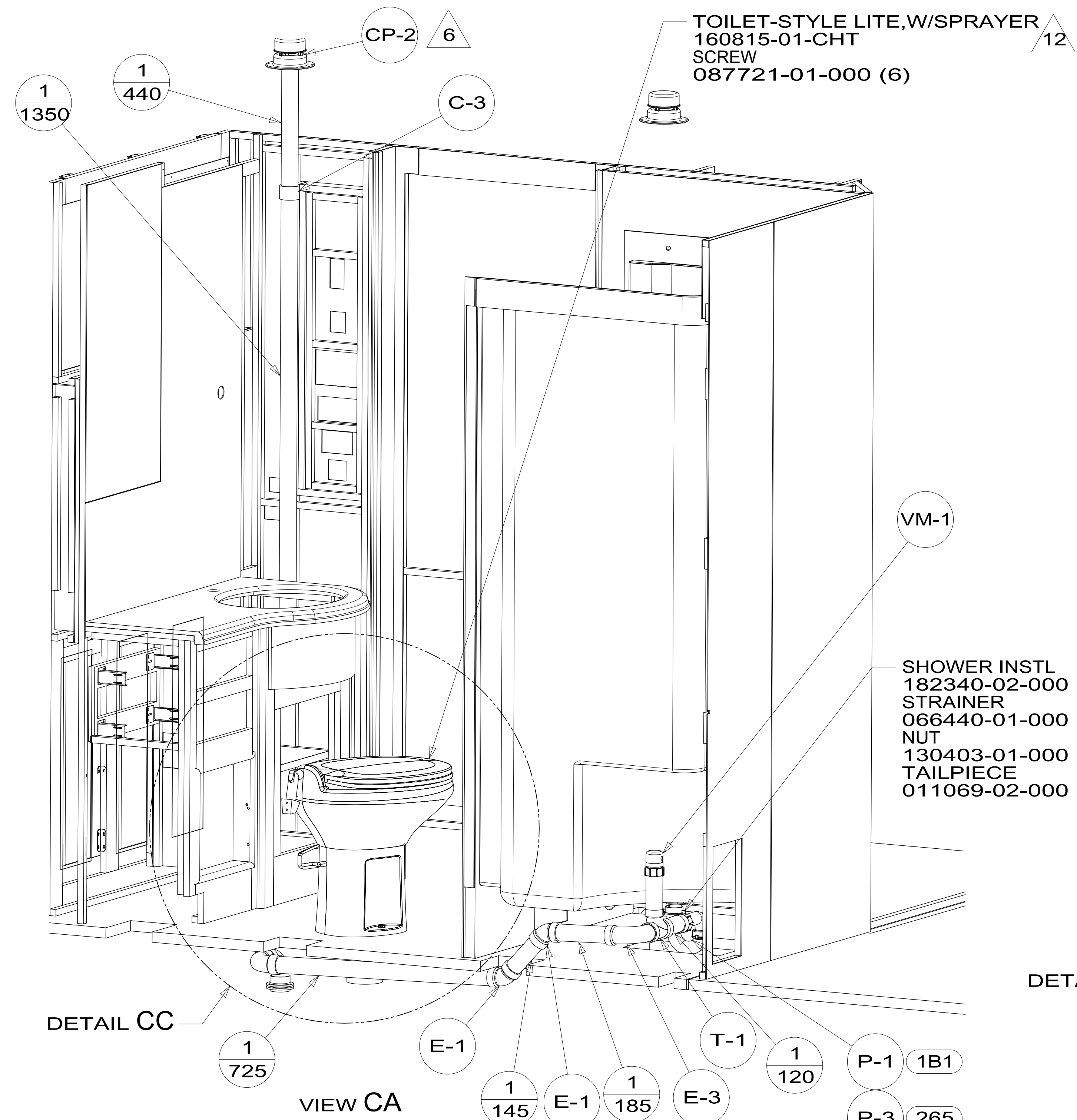
DETAIL CE

DETAIL CC  
 (SHOWN W/OUT CABINETS AND FLOOR)

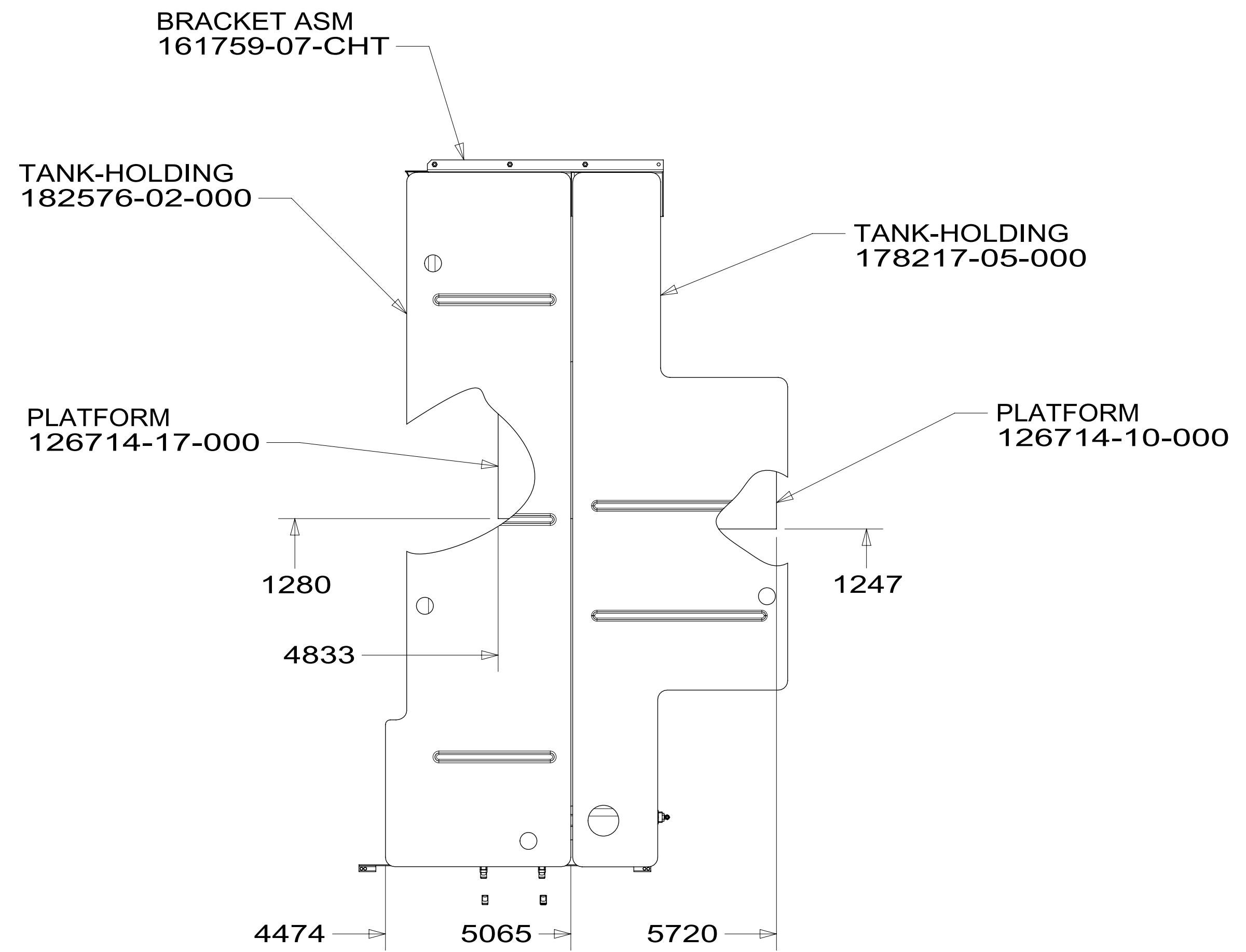
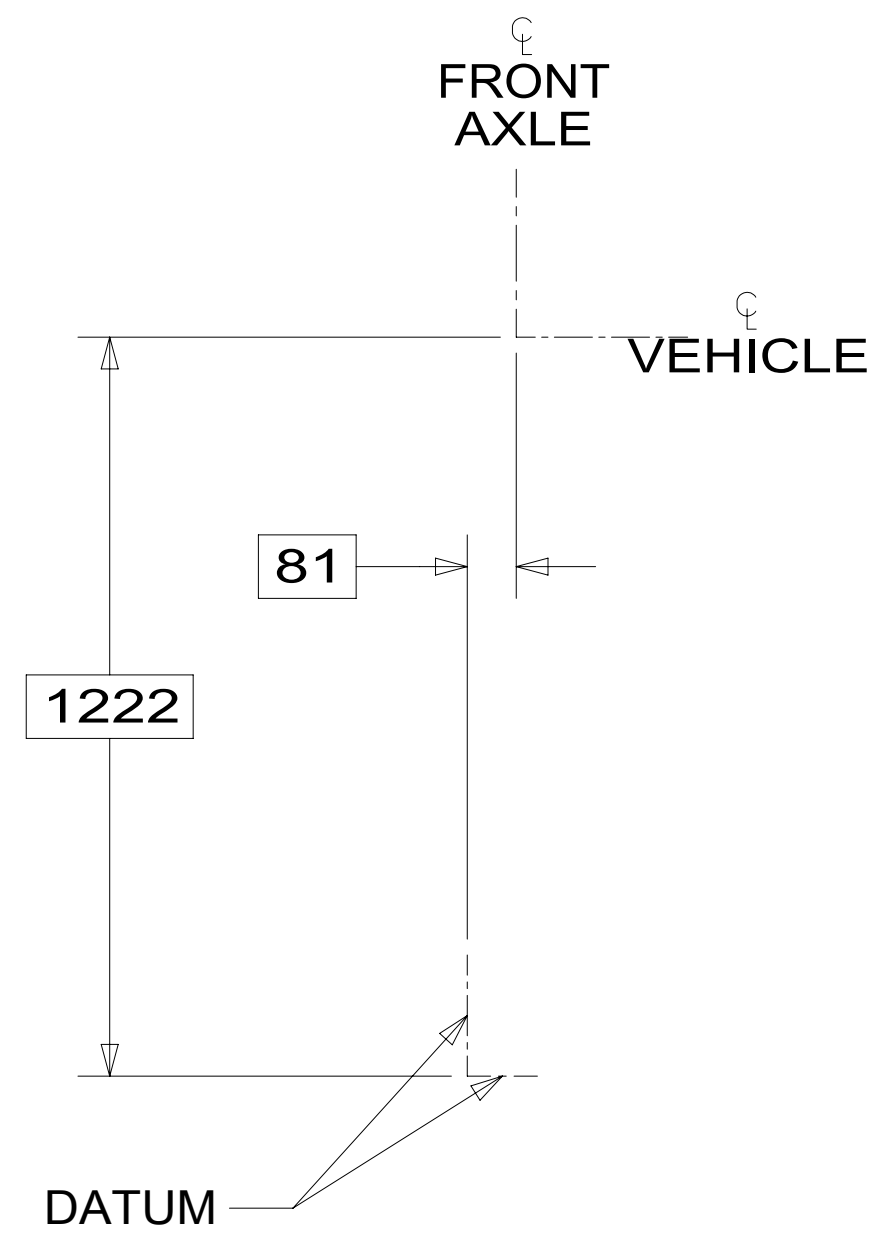
SECTION CD-CD  
 (ROTATED)

DETAIL CE  
 (SHOWN W/OUT CABINETS AND FLOOR)

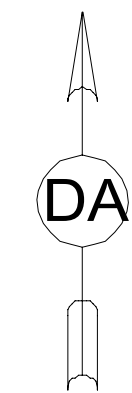
DESCRIPTION:		
DRAINAGE SYSTEM INSTL		
SHEET:	ITEM/PART NO.:	REV
3 OF 4	000209076 / 30199101000	



8 7 6 5 4 3 2 1

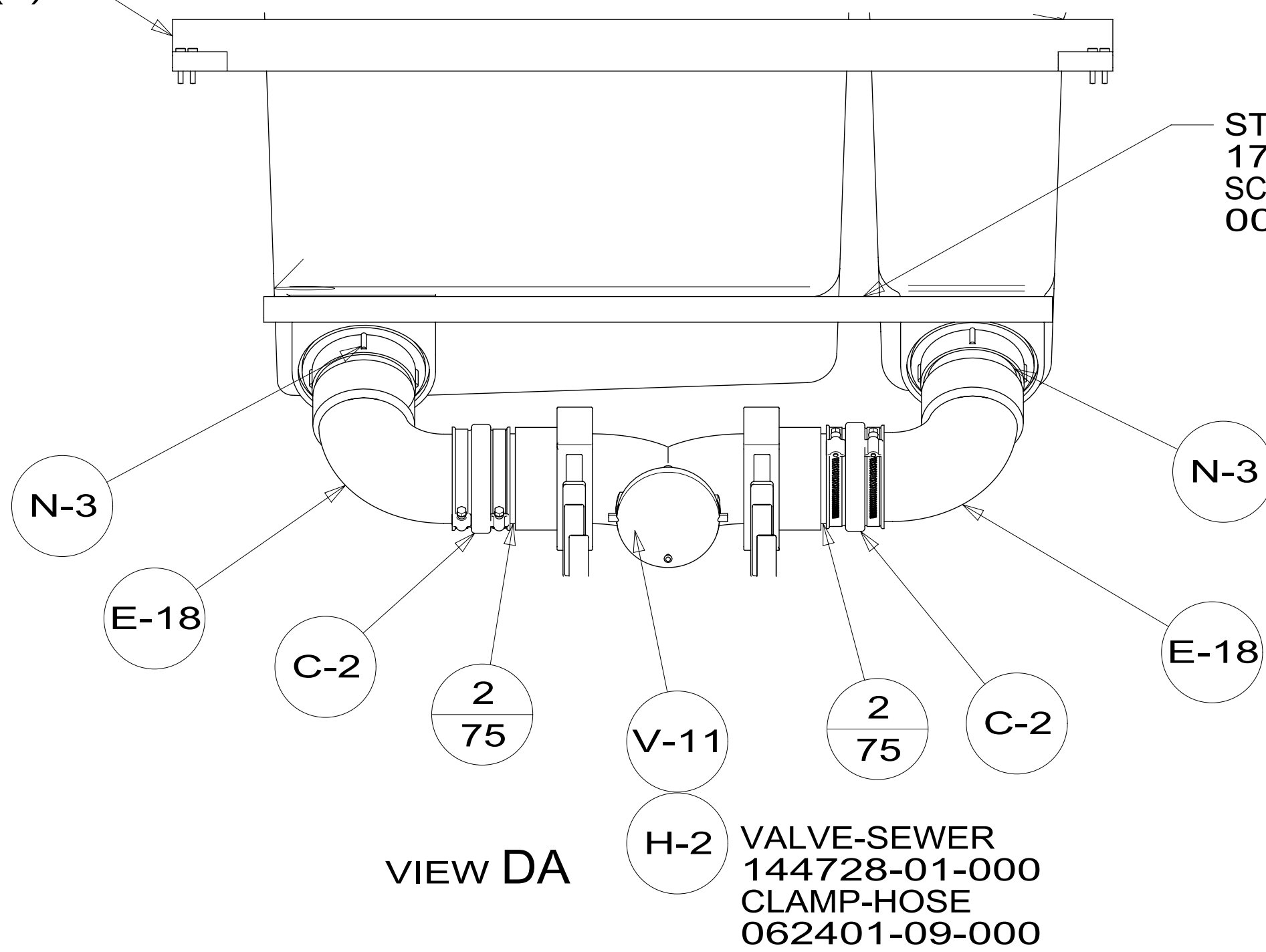


### TOP VIEW SHOWING ONLY DRAINS AND TANKS



STRAP ASM  
179094-01-CHT  
SCREW  
000G39-10-20U (4)

STRAP ASM  
179405-01-CHT  
SCREW  
000G39-10-20U (4)



VIEW DA

DESCRIPTION: <b>DRAINAGE SYSTEM INSTL</b>		
SHEET: <b>4 OF 4</b>	ITEM/PART NO: <b>000209076 / 30199101000</b>	REV