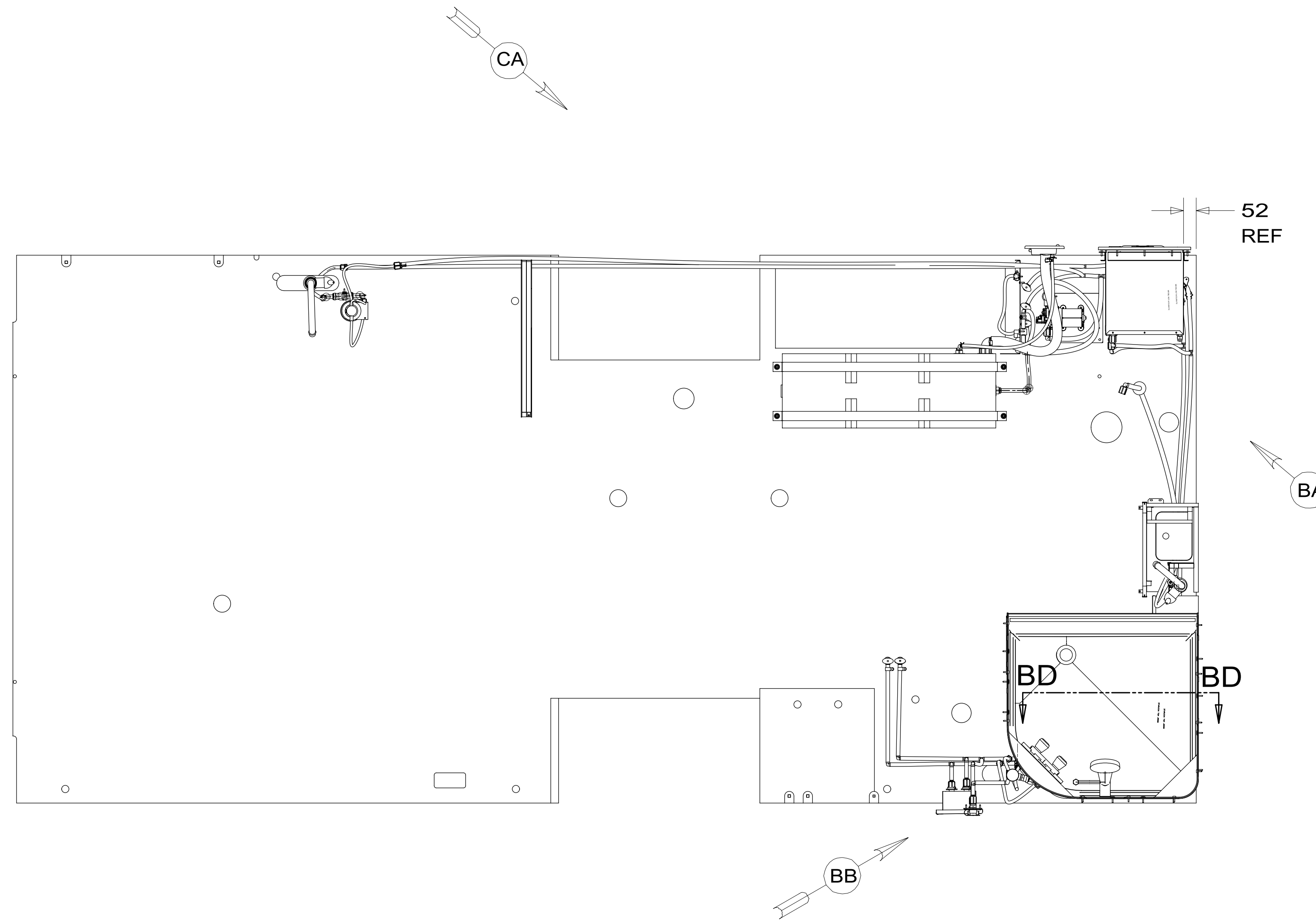
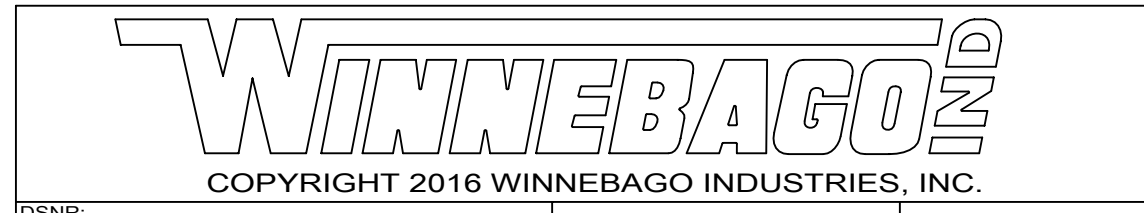


REV	ZONE	REVISION RECORD	DATE	DFTR-ORIG
A	---	INITIAL RELEASE	11/04/15	3650
B	SHT2 SHT3	RE-ROUTE LINES FOR WINTERIZATION VALVE	11/09/15	6437
C	S2BD	DIMS 550 WAS 571, 250 WAS 206	11/18/15	3650-6437
D	SHT3	F-4 WAS 137169-01-CHT	12/22/15	3650-3508
E	SHT3	F-10 WAS F-4	01/07/16	3650-5643
F	S2B8	CHG TU-9/1420 TOTU-9/1360 & TU10/1555 TO TU10/1420	01/13/16	7786-3508
G	S2C6	ADD MISSING CALLOUT TU10/810	01/25/16	7786-3508
H	S3D1	REMOVE 1 OF THE PLATE-ALUM	06/10/16	7786-5472
J	S3D7	CHG LENGTH OF TU-4	08/18/16	7786-5472
K	---	CHG FITTINGS ALL SHTS	9-27-16	1600-1600
L	SHT2	LENGTH CHANGES	11/28/16	3650-4373



9. ALL CRIMP FITTINGS TO 3/4" PEX TUBING REQUIRE 3/4" CLAMP 140171-05-000.
8. ALL CRIMP FITTINGS TO 1/2" PEX TUBING REQUIRE 1/2" CLAMP 140171-03-000.
7. ALL CRIMP FITTINGS TO 5/8" FLEX TUBING REQUIRE 5/8" CLAMP 140171-04-000.
- 6 LABEL HOT AND COLD SUPPLY TUBES AND TAPE FITTING TO TUBE BEFORE CABINET SET TO PREVENT MOVEMENT.
- 5 ADD PIPE WRAP (LADDER SCRAP 110157-02-000) INSULATION.
- 4 ADD TEFLON TAPE 010405-02-000.
3. ALL TUBING TO BE SECURED AT 1200 INTERVALS MAXIMUM WITH CLAMP 010495-01-000 AND SCREW 000G67-10-12U OR EQUIVALENT.
2. TUBING TO BE INSTALLED WITH SUFFICIENT SLOPE TO PROVIDE DRAINAGE TO NEAREST VALVE.
1. PLASTIC FITTINGS TO BE SEALED WITH SEALANT 084456-01-000.

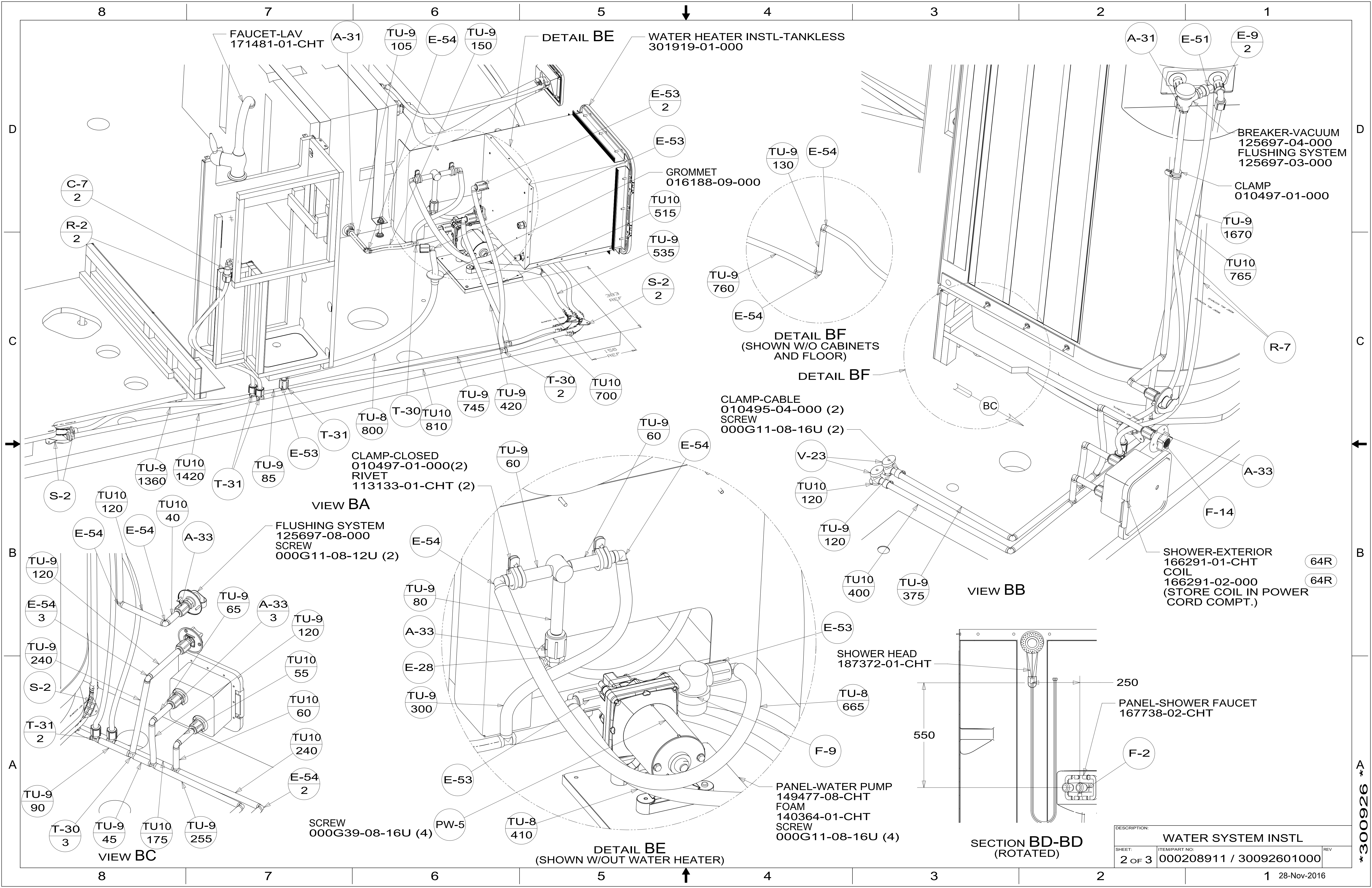
- 29B WATER PURIFIER
- 53E WATER SYS WINTERIZATION PKG
- 64R EXTERIOR WASH STATION



DSNR:		ALL DIMENSIONS ARE IN MILLIMETERS	
DFTR:		MATERIAL:	
UNSPECIFIED TOLERANCES:			
WHOLE DIM (X)	3		
ONE-PLACE (X.X)	1.5		
TWO-PLACE (X.XX)	0.50		
ANGLE	1°		
REFER TO ES0018 FOR FASTENER TIGHTENING GUIDELINES		WEIGHT: (LBS)	FIRST USED: (REF)
DESCRIPTION:		16 623D	
WATER SYSTEM INSTL			
SHEET:	ITEM/PART NO:	REV	
1 OF 3	000208911 / 30092601000		

X-X
 FOR WATER CALLOUTS SEE DWG NO. 000209446 / 303369-01-000

300926



FAUCET-LAV
171481-01-CHT

WATER HEATER INSTL-TANKLESS
301919-01-000

BREAKER-VACUUM
125697-04-000
FLUSHING SYSTEM
125697-03-000

CLAMP-CLOSED
010497-01-000(2)
RIVET
113133-01-CHT (2)

CLAMP-CABLE
010495-04-000 (2)
SCREW
000G11-08-16U (2)

SHOWER-EXTERIOR
166291-01-CHT
COIL
166291-02-000
(STORE COIL IN POWER
CORD COMPT.)

FLUSHING SYSTEM
125697-08-000
SCREW
000G11-08-12U (2)

SHOWER HEAD
187372-01-CHT

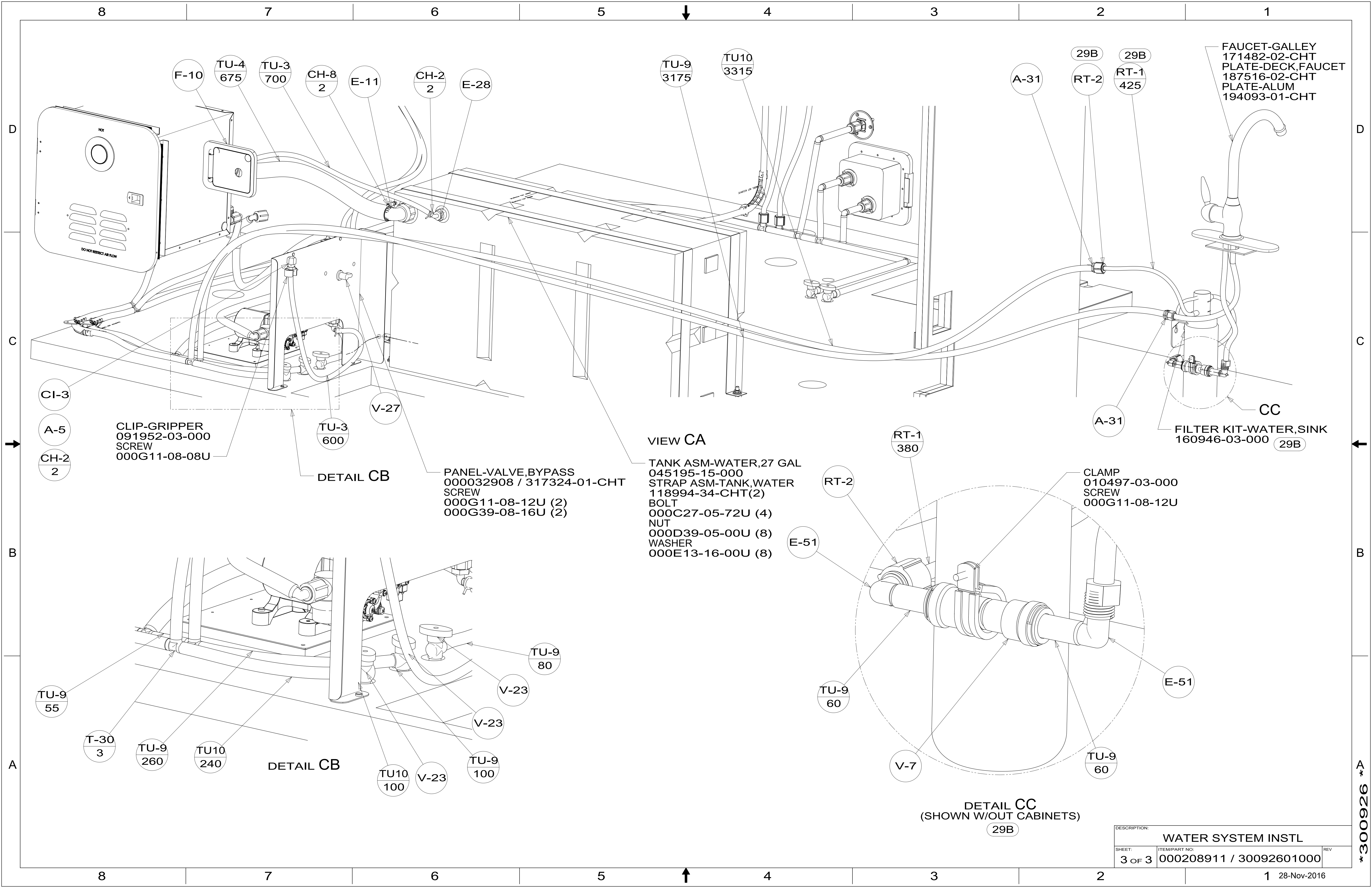
PANEL-SHOWER FAUCET
167738-02-CHT

PANEL-WATER PUMP
149477-08-CHT
FOAM
140364-01-CHT
SCREW
000G11-08-16U (4)

SECTION BD-BD
(ROTATED)

DESCRIPTION: WATER SYSTEM INSTL		
SHEET: 2 OF 3	ITEM/PART NO: 000208911 / 30092601000	REV

*300926

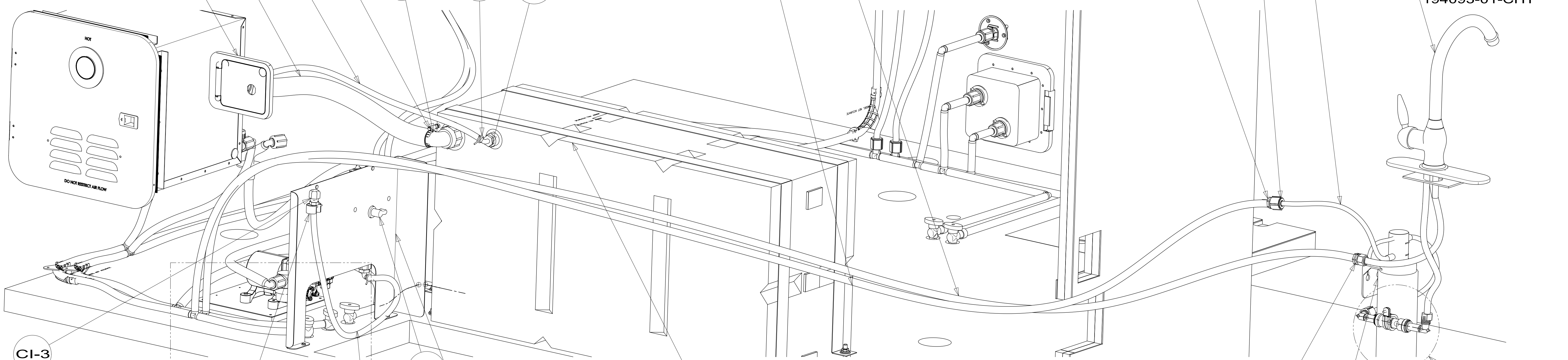


F-10
TU-4 675
TU-3 700
CH-8 2
E-11
CH-2 2
E-28

TU-9 3175
TU10 3315

A-31
29B
RT-2
RT-1 425

FAUCET-GALLEY
171482-02-CHT
PLATE-DECK,FAUCET
187516-02-CHT
PLATE-ALUM
194093-01-CHT



CI-3
A-5
CH-2 2

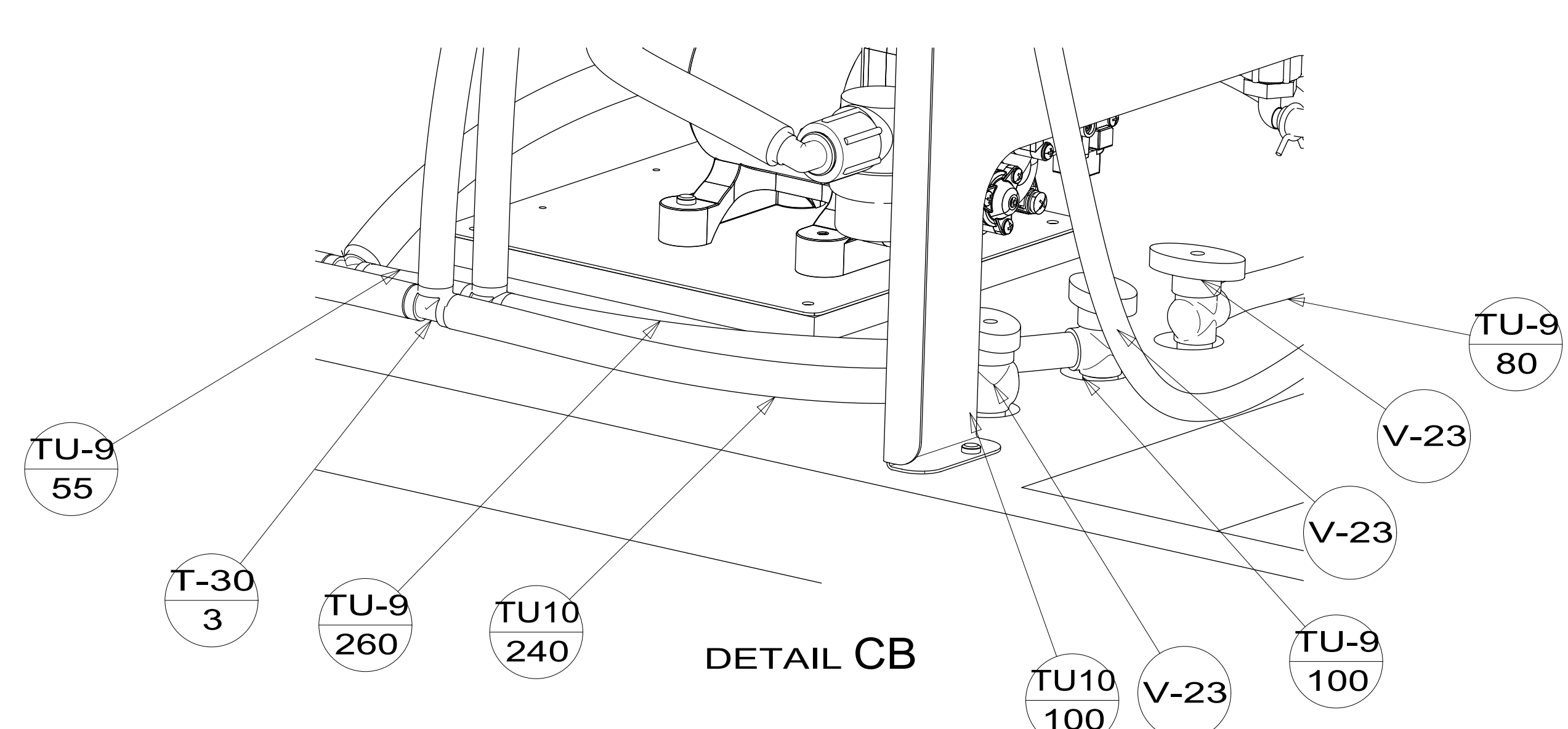
CLIP-GRIPPER
091952-03-000
SCREW
000G11-08-08U

TU-3 600
V-27
DETAIL CB

PANEL-VALVE,BYPASS
000032908 / 317324-01-CHT
SCREW
000G11-08-12U (2)
000G39-08-16U (2)

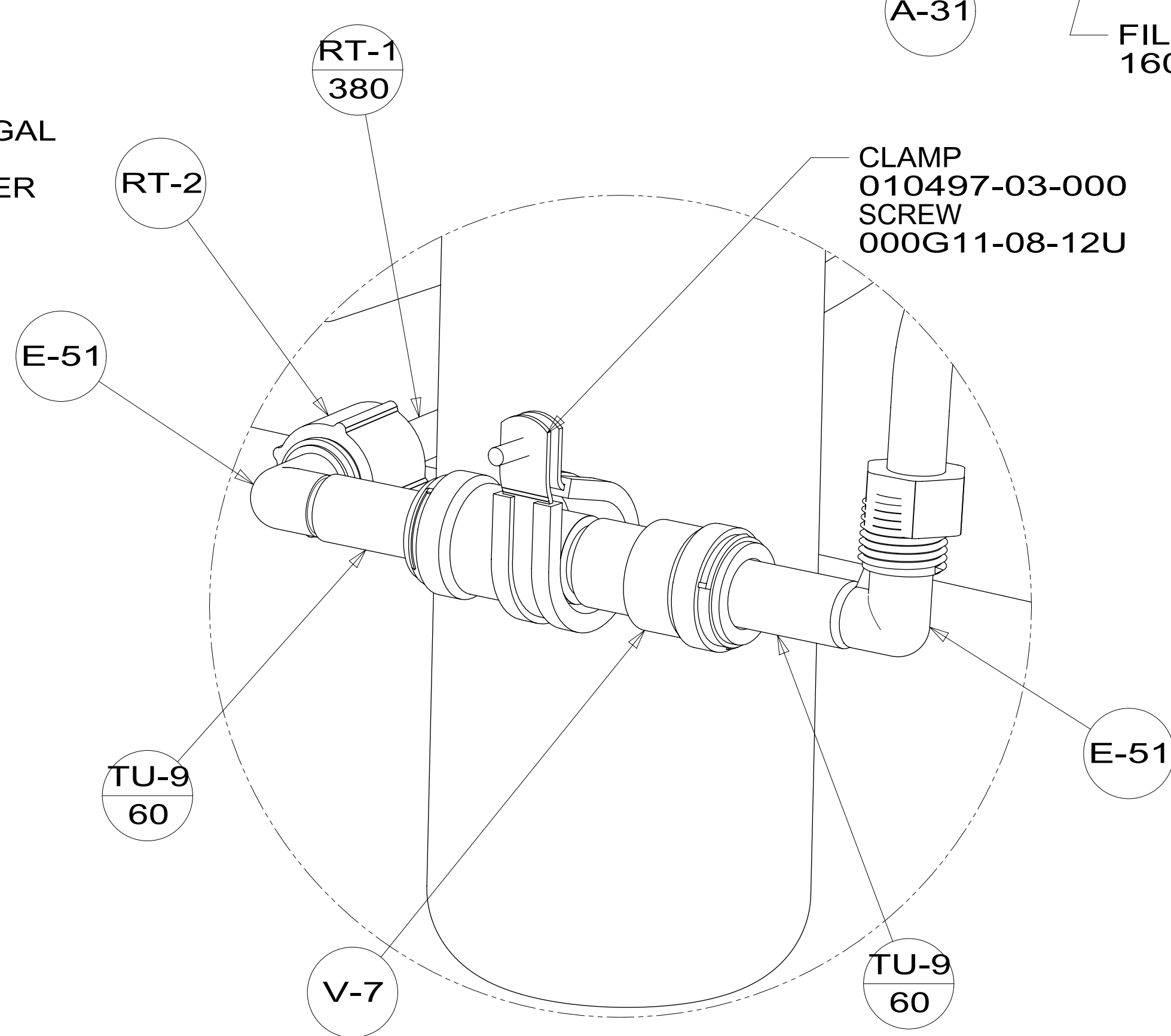
VIEW CA
TANK ASM-WATER,27 GAL
045195-15-000
STRAP ASM-TANK,WATER
118994-34-CHT(2)
BOLT
000C27-05-72U (4)
NUT
000D39-05-00U (8)
WASHER
000E13-16-00U (8)

CC
FILTER KIT-WATER,SINK
160946-03-000
29B



TU-9 55
T-30 3
TU-9 260
TU10 240
TU10 100
V-23
TU-9 80
V-23
TU-9 100

DETAIL CB



RT-1 380
RT-2
E-51
TU-9 60
V-7
TU-9 60
E-51
CLAMP
010497-03-000
SCREW
000G11-08-12U

DETAIL CC
(SHOWN W/OUT CABINETS)
29B

DESCRIPTION: WATER SYSTEM INSTL		
SHEET: 3 OF 3	ITEM/PART NO: 000208911 / 30092601000	REV

*300926