

- 12. APPLY PRIMER 126427-02-000 AND CEMENT 126427-01-000 BETWEEN ELBOW AND FLEX PIPE.
- 11. PREP THE SURFACE PER MANUFACTURERS INSTRUCTIONS BEFORE APPLYING THE HEATING PAD.
- 10. SEE WIRING INSTL-BODY FOR ELECTRICAL CONNECTION.
- 9. SEE DRAWING 061607 FOR INSTALLATION OF GROMMETS.
- 8. SECURE DRAINAGE PIPES TO CABINET USING WIRE TIE 108046-02-000, AND SCREW 000G67-10-12U AT INTERVALS OF NOT OF NOT MORE THAN 4 FEET APART.
- 7. SECURE VENT PIPE TO FLOOR WITH CLAMP 062401-02-000 (2), SCREW 000G67-10-12U (2), BRACKET 136878-01-CHT (2).
- 6. VENT PIPE MUST PROJECT 51 MIN AND 64 MAX ABOVE ROOF FOR PROPER FIT AND FUNCTION. ADD S-1 (116666-01-CHT SEAL-VENT PIPE) AROUND PIPE ON ROOF BEFORE VENT CAP IS INSTALLED.
- 5. SEAL AROUND SHOWER WITH SILICONE.
- 4. USE SMOOTH PLUMBERS PUTTY 167459-01-000 TO SEAL STRAINER (0.2 PER STRAINER).
- 3. ALL PIPE AND FITTINGS TO BE ASSEMBLED WITH SOLVENT 004020-01-000 (USA), 004020-02-000 (CAN)
- 2. SLOPE OF TRAP ARM MUST BE 6 PER 305 mm.
- 1. SLOPE OF HORIZONTAL PIPING TO BE MINIMUM OF 3 PER 305 mm.

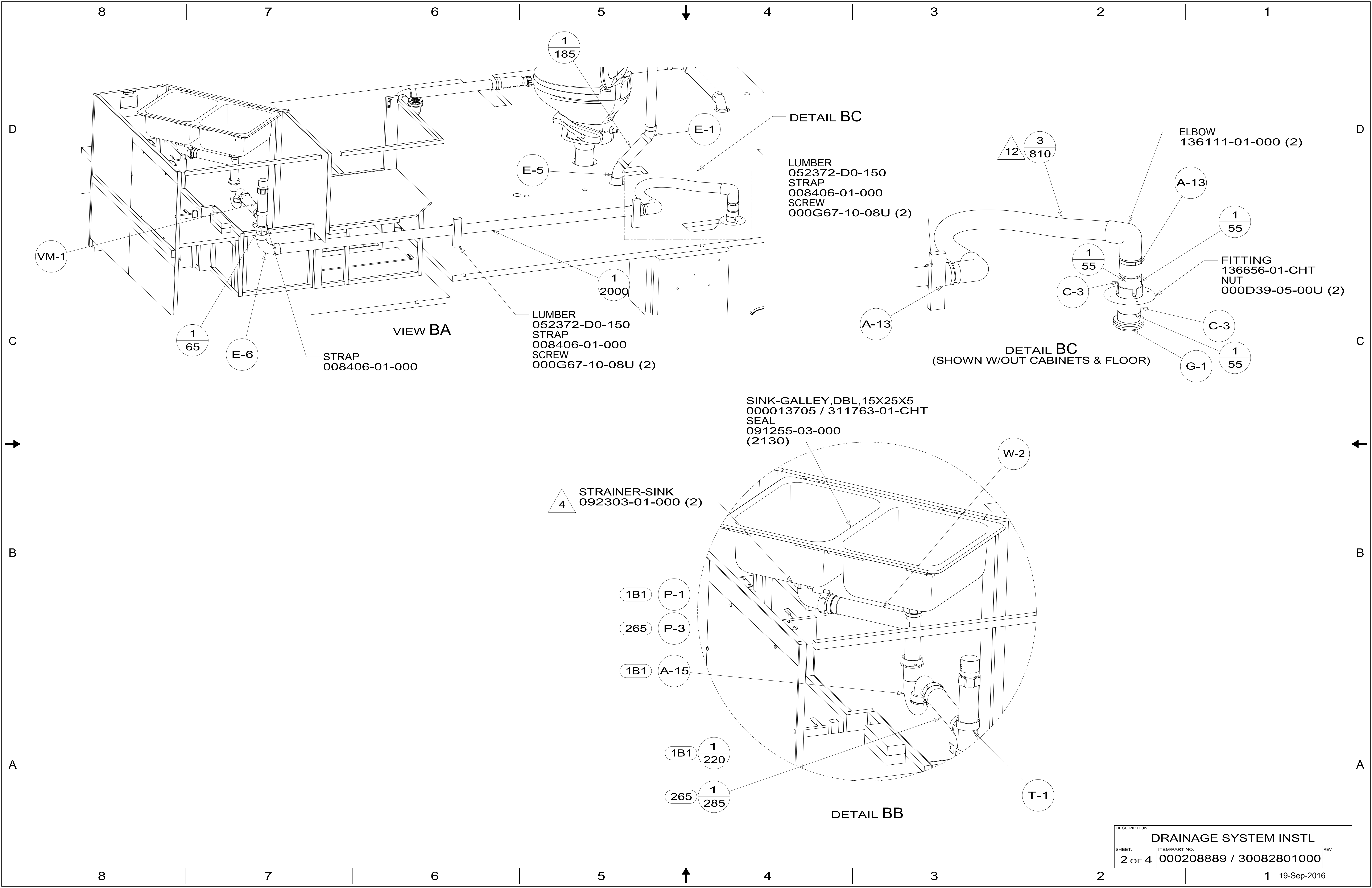
- 093 PREMIUM PACKAGE WITHOUT
- 38E CONVENIENCE PACKAGE
- 644 GREAT ALASKAN RENTAL PACKAGE
- 640 RENTAL - GAH WITHOUT
- 265 CODES/STANDARDS-CSA/CMVSS
- 23T DRAINAGE SYSTEM-HEATED
- 1B1 CODES/STANDARDS USA

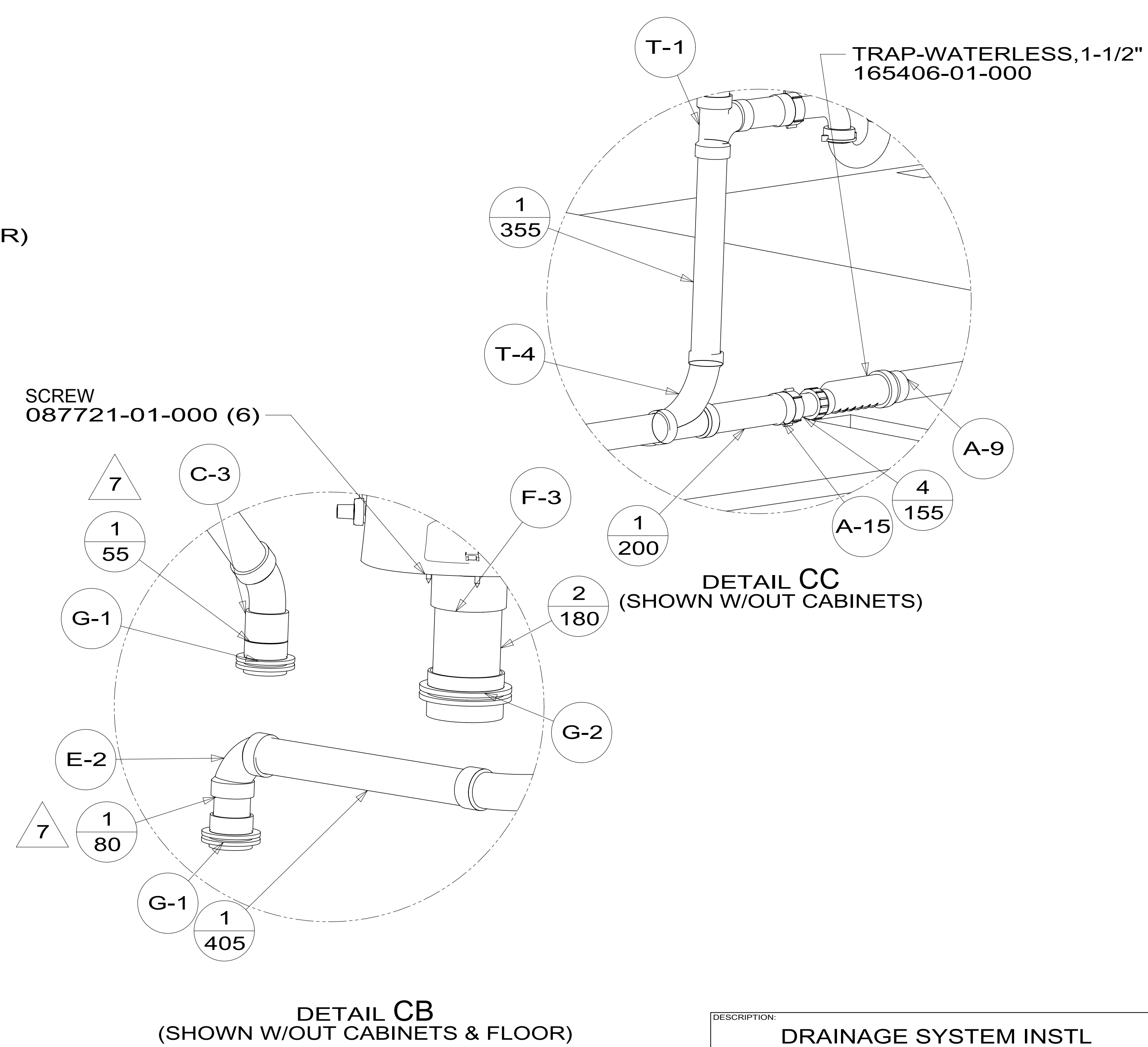
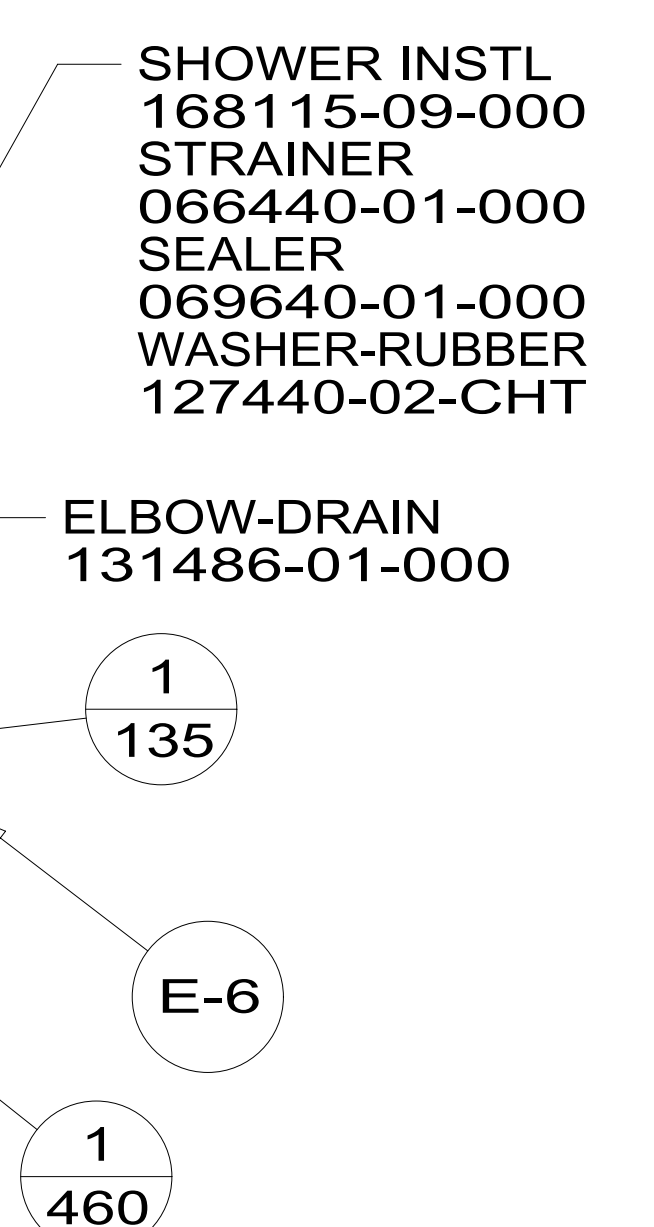
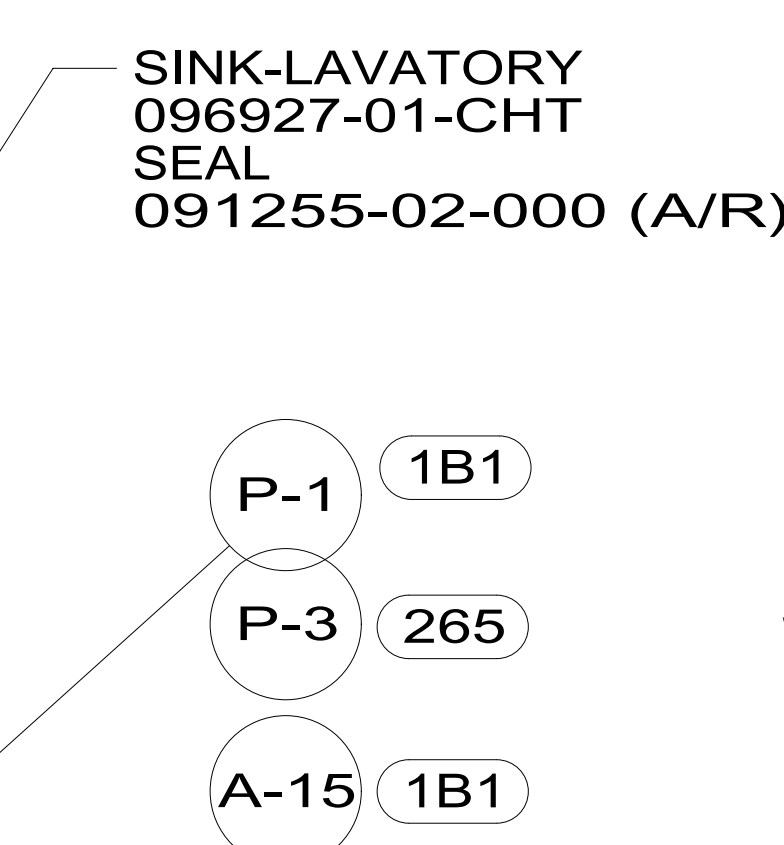
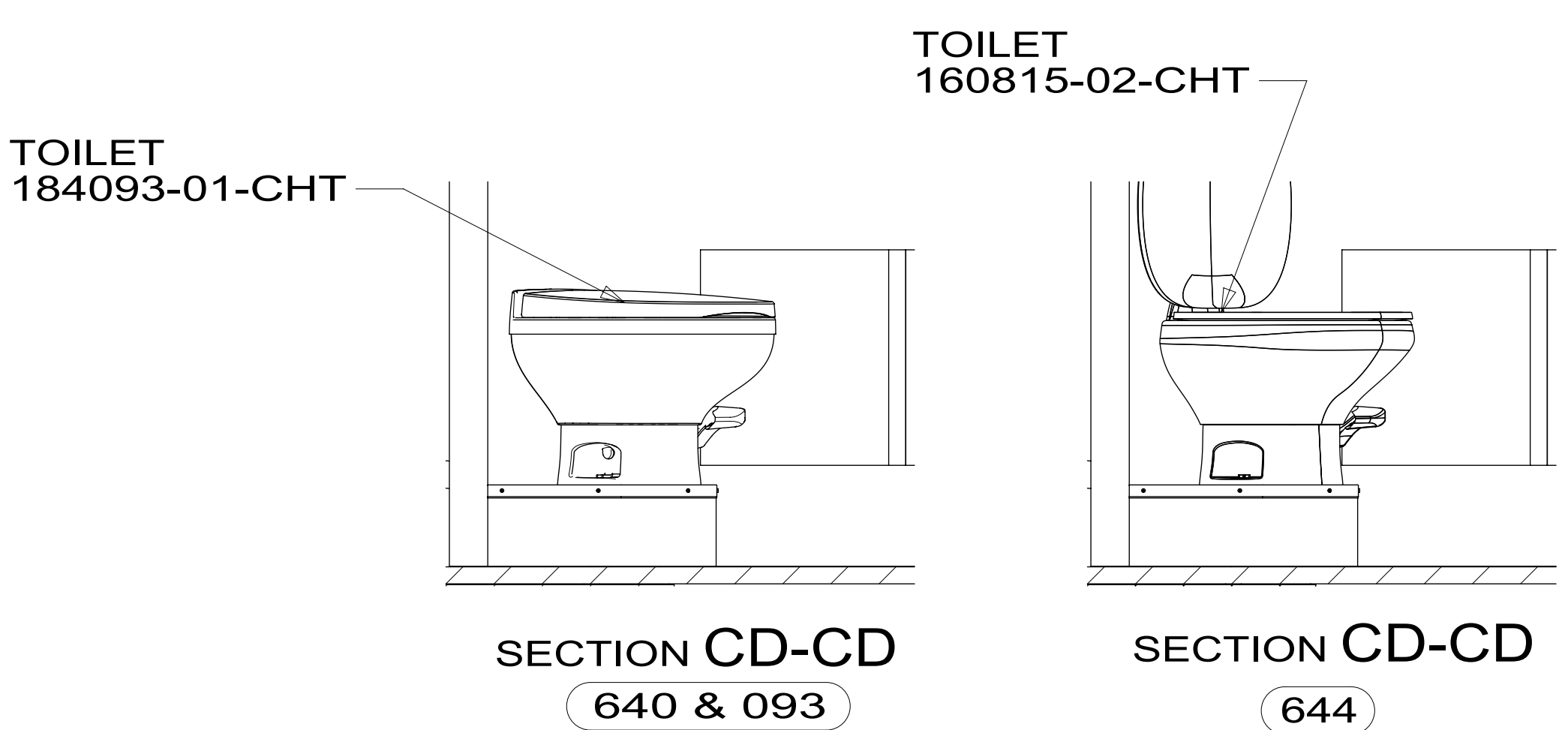
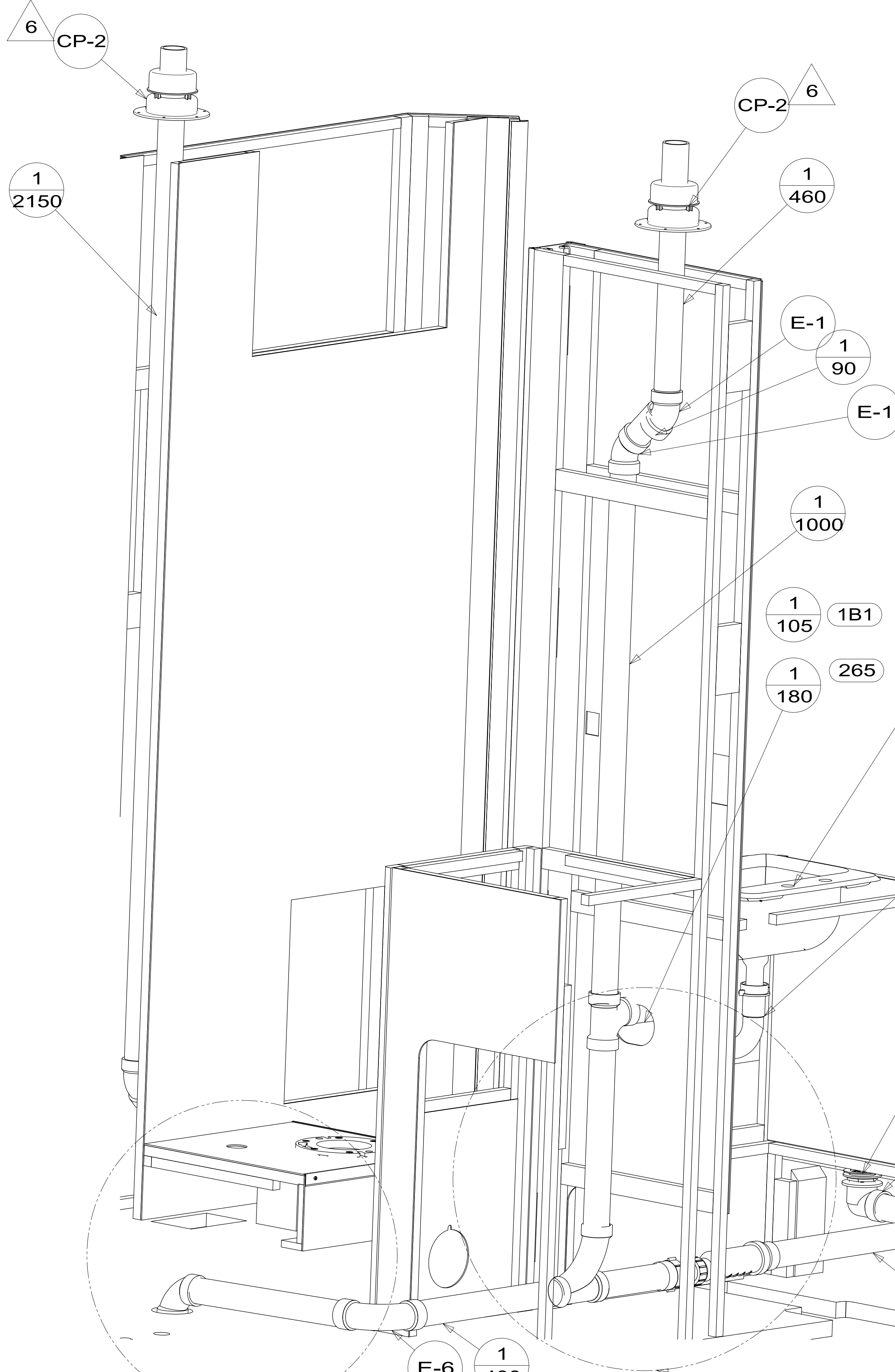
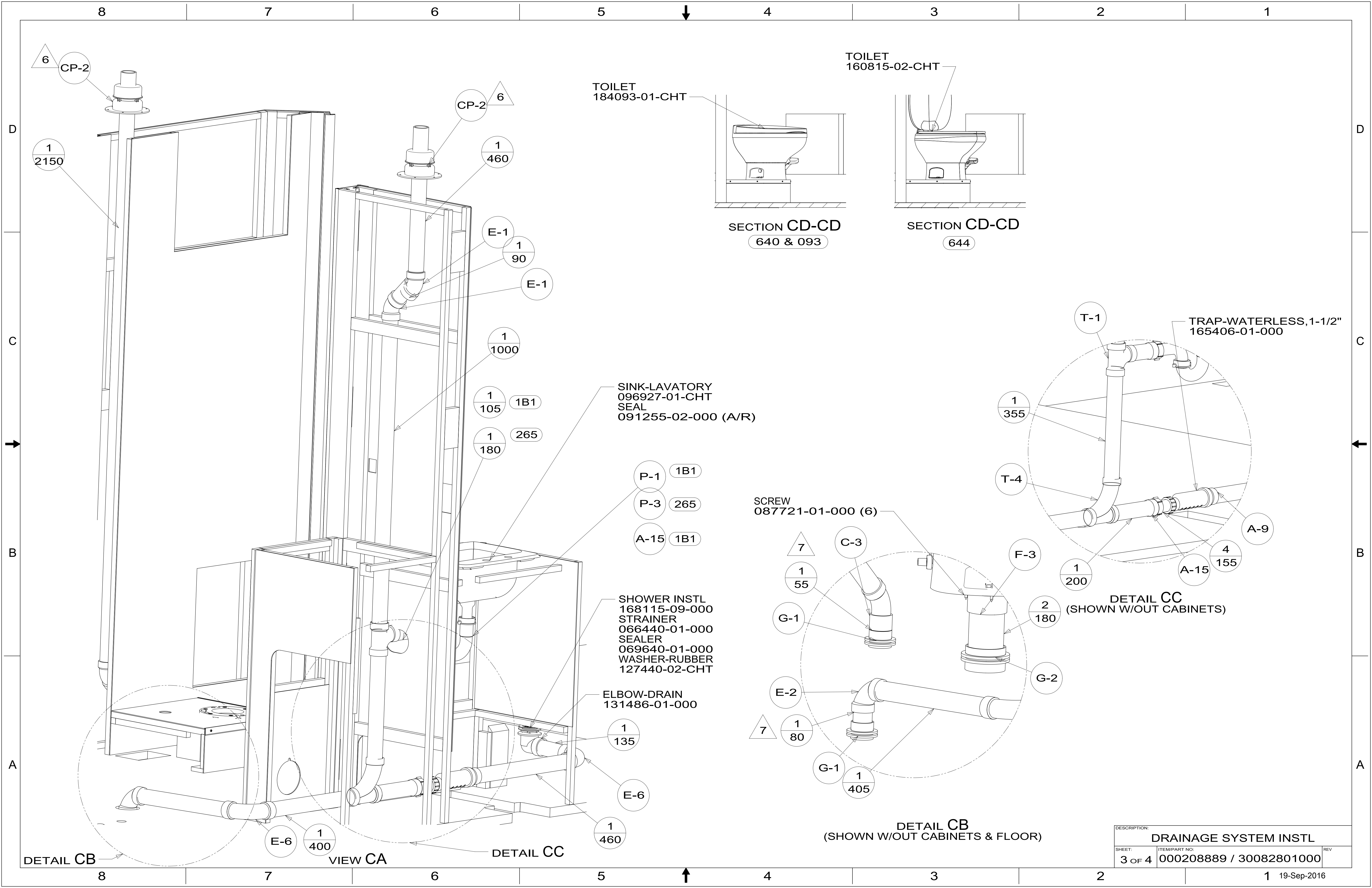
WINNEBAGO
COPYRIGHT 2016 WINNEBAGO INDUSTRIES, INC.

DSNR:		ALL DIMENSIONS ARE IN MILLIMETERS	
DIFTR:			
UNSPECIFIED TOLERANCES:		MATERIAL:	
WHOLE DIM (X)	3		
ONE-PLACE (X.X)	1.5		
TWO-PLACE (X.XX)	0.50		
ANGLE	1°		
REFER TO ES0018 FOR FASTENER TIGHTENING GUIDELINES		WEIGHT: (LBS)	FIRST USED: (REF)
			16 331G
DESCRIPTION:			
DRAINAGE SYSTEM INSTL			
SHEET:	ITEM/PART NO.:	REV	
1 OF 4	000208889 / 30082801000		
REF:		1 19-Sep-2016	

FOR DRAINAGE CALLOUTS SEE DWG NO. 000211962 / 303370-01-000

NOTES:





DESCRIPTION: DRAINAGE SYSTEM INSTL		
SHEET: 3 OF 4	ITEM/PART NO: 000208889 / 30082801000	REV
		1 19-Sep-2016

8 7 6 5 4 3 2 1

FRONT AXLE

VEHICLE

1222

1498

DATUM

640 & 38E TANK-HOLDING 193388-03-000
640 & 38E-W/O 193388-02-000
644 193388-04-000

TANK-HOLDING 193389-02-000 640 & 38E-W/O
193389-03-000 644 640 & 38E

5083

4663

34 (2)

TOP VIEW SHOWING ONLY DRAINS AND TANKS

23T 10 11

PAD-HEATER 133972-04-000 (INSTALL PER MFG LABEL)

PAD-HEATER 133972-04-000 (INSTALL PER MFG LABEL)

23T

160

190

STRAP-HLDG TANK MTG 153148-34-CHT NUT 000D39-05-00U (2)

STRAP-HLDG TANK MTG 153148-38-CHT NUT 000D39-05-00U (2)

STRAP-HLDG TANK MTG 153148-36-CHT NUT 000D39-05-00U (2)

STRAP-HLDG TANK MTG 153148-40-CHT NUT 000D39-05-00U (2)

56

510

BOTTOM VIEW SHOWING ONLY DRAINS AND TANKS

DESCRIPTION:		
DRAINAGE SYSTEM INSTL		
SHEET:	ITEM/PART NO:	REV
4 OF 4	000208889 / 30082801000	

8 7 6 5 4 3 2 1 19-Sep-2016