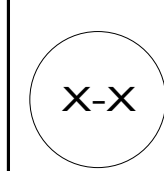



- 13. APPLY 1/4" BEAD OF SILICONE (131264-05-CHT) TO FLANGE BEFORE INSTALLATION AND THEN CAP SEAL SINK/CORIAN COUNTER TOP WITH SILICONE (131264-05-CHT).
- 12. CUT PART TO 90mm.
- 11. PREP THE SURFACE PER MANUFACTURERS INSTRUCTIONS BEFORE APPLYING THE HEATING PAD.
- 10. SEE WIRING INSTL-BODY FOR ELECTRICAL CONNECTION.
- 9. SEE DRAWING 061607 FOR INSTALLATION OF GROMMETS.
- 8. SECURE DRAINAGE PIPES TO CABINET USING WIRE TIE 108046-02-000, AND SCREW 000G67-10-12U AT INTERVALS OF NOT MORE THAN 4 FEET APART.
- 7. SECURE VENT PIPE TO FLOOR WITH CLAMP 062401-02-000 (2), SCREW 000G67-10-12U (2), BRACKET 136878-01-CHT (2).
- 6. VENT PIPE MUST PROJECT 51 MIN AND 64 MAX ABOVE ROOF FOR PROPER FIT AND FUNCTION. ADD S-1 (116666-01-CHT SEAL-VENT PIPE) AROUND PIPE ON ROOF BEFORE VENT CAP IS INSTALLED.
- 5. SEAL AROUND SHOWER WITH SILICONE.
- 4. USE SMOOTH PLUMBERS PUTTY 167459-01-000 TO SEAL STRAINER (0.2 PER STRAINER).
- 3. ALL PIPE AND FITTINGS TO BE ASSEMBLED WITH SOLVENT 004020-01-000 (USA), 004020-02-000 (CAN)
- 2. SLOPE OF TRAP ARM MUST BE 6 PER 305 mm.
- 1. SLOPE OF HORIZONTAL PIPING TO BE MINIMUM OF 3 PER 305 mm.

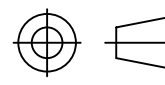
- 093 PREMIUM PACKAGE WITHOUT
- 09A PREMIUM PACKAGE
- 38E CONVENIENCE PACKAGE
- 644 GREAT ALASKAN RENTAL PACKAGE
- 640 RENTAL - GAH WITHOUT
- 265 CODES/STANDARDS-CSA/CMVSS
- 23T DRAINAGE SYSTEM-HEATED
- 1B1 CODES/STANDARDS USA

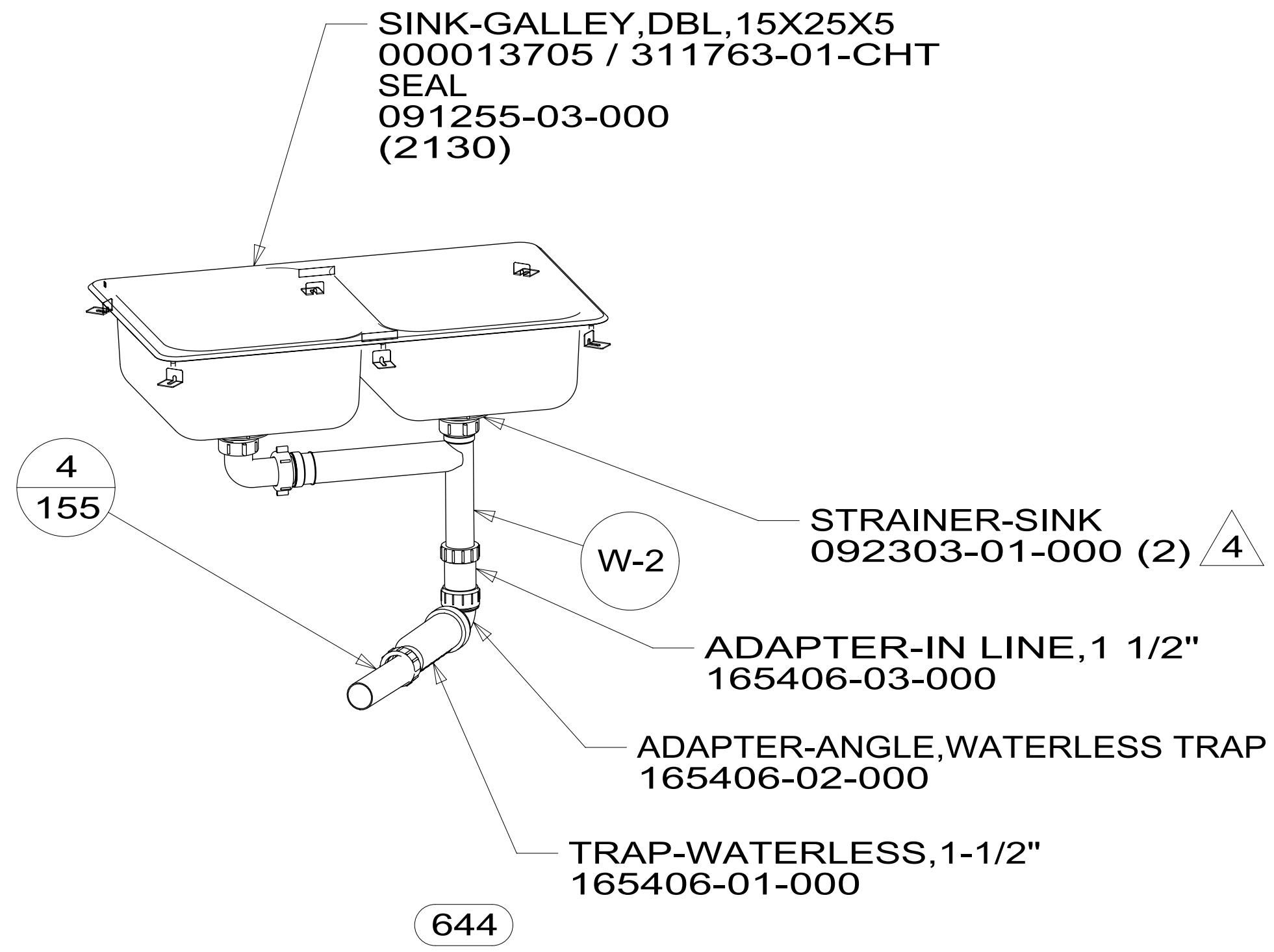


FOR DRAINAGE CALLOUTS SEE DWG NO. 116229-01-000

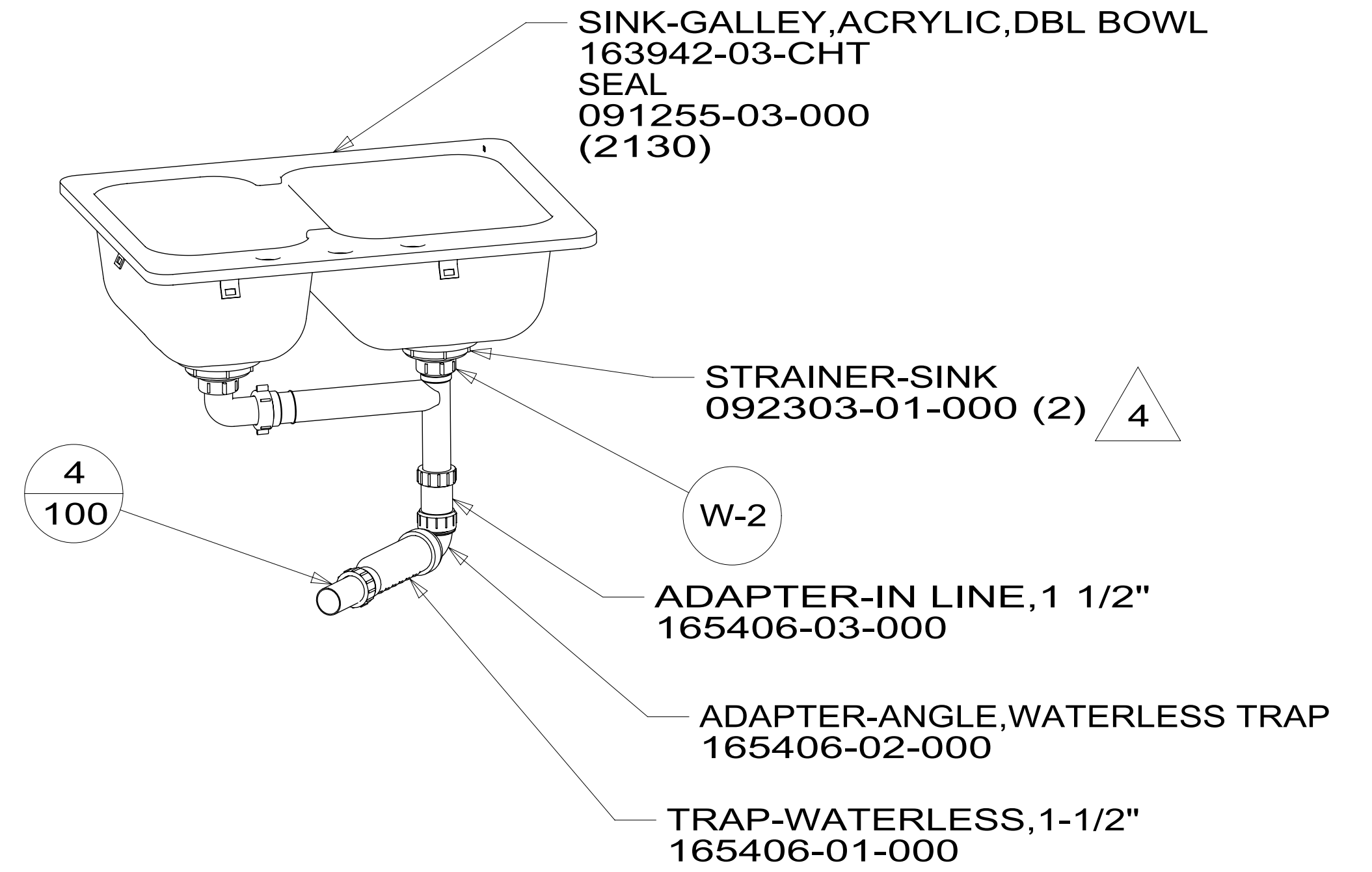


COPYRIGHT 2016 WINNEBAGO INDUSTRIES, INC.

DSNR:		ALL DIMENSIONS ARE IN MILLIMETERS 	
DIFFR:			
UNSPECIFIED TOLERANCES:		MATERIAL:	
WHOLE DIM (X) :	3		
ONE-PLACE (X.X) :	1.5		
TWO-PLACE (X.XX) :	0.50		
ANGLE :	1°		
REFER TO ES0018 FOR FASTENER TIGHTENING GUIDELINES		WEIGHT: (LBS)	FIRST USED: (REF)
			16 327Q
DESCRIPTION:			
DRAINAGE SYSTEM INSTL			
SHEET:	ITEM/PART NO.:	REV	
1 OF 5	000208880 / 30079601000		
REF:		1 19-Sep-2016	

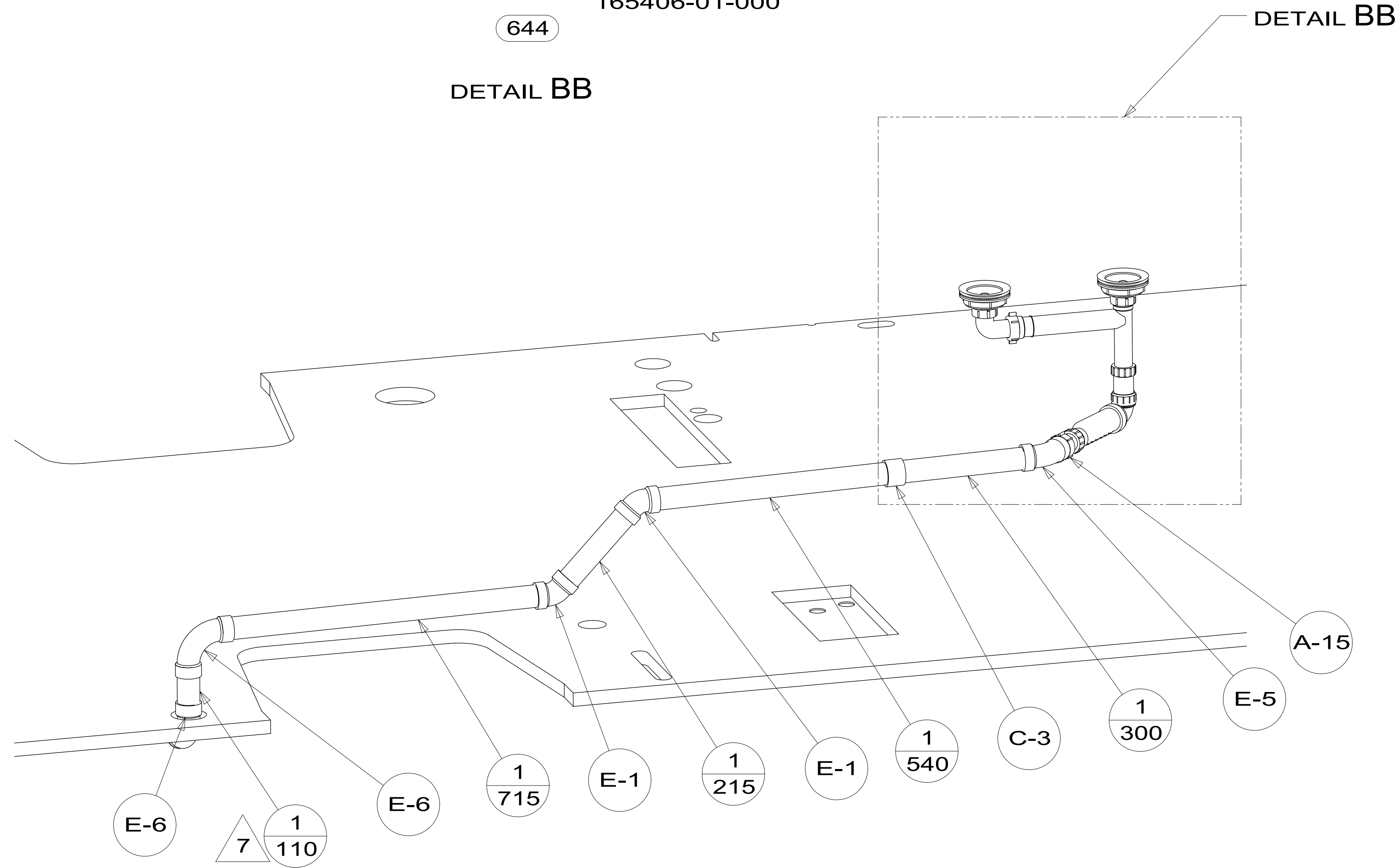


DETAIL BB

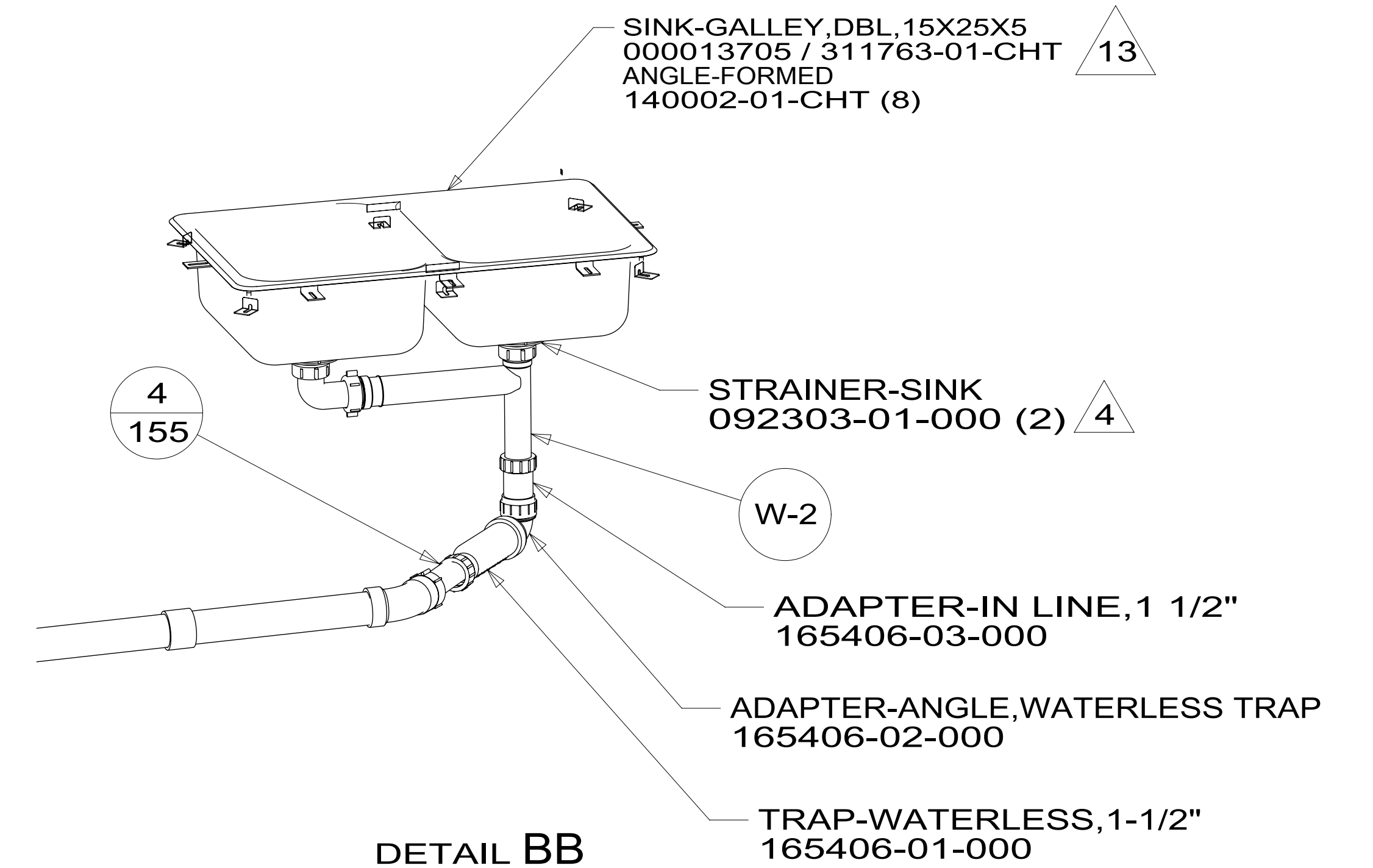


DETAIL BB

640 & 093



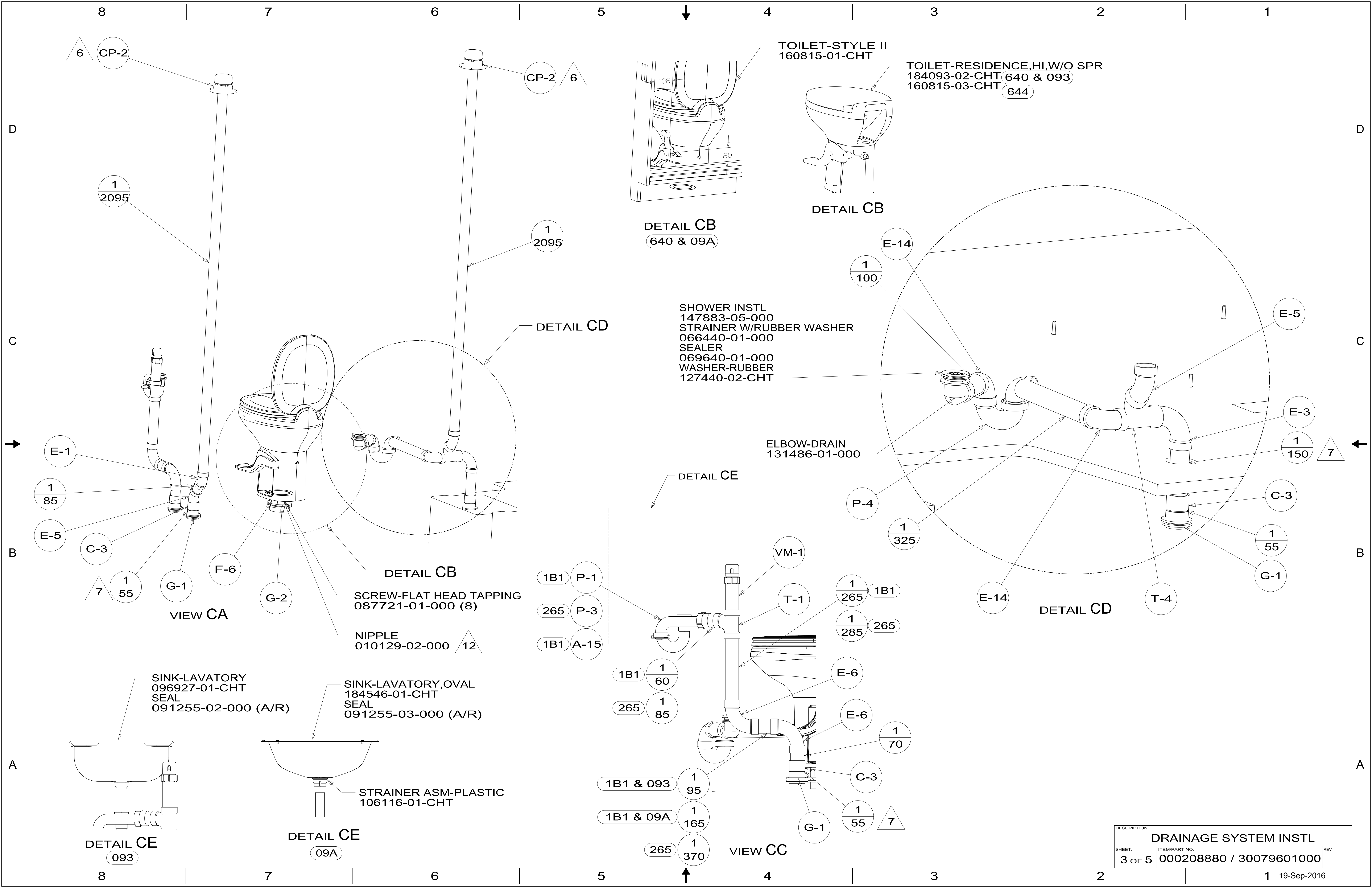
VIEW BA



DETAIL BB

640 & 09A

DESCRIPTION:		
DRAINAGE SYSTEM INSTL		
SHEET:	ITEM/PART NO:	REV
2 OF 5	000208880 / 30079601000	

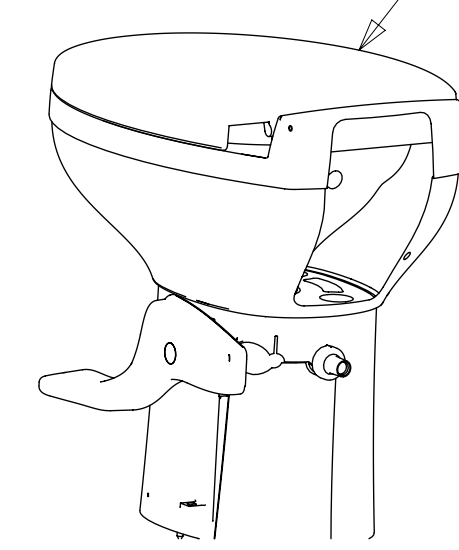
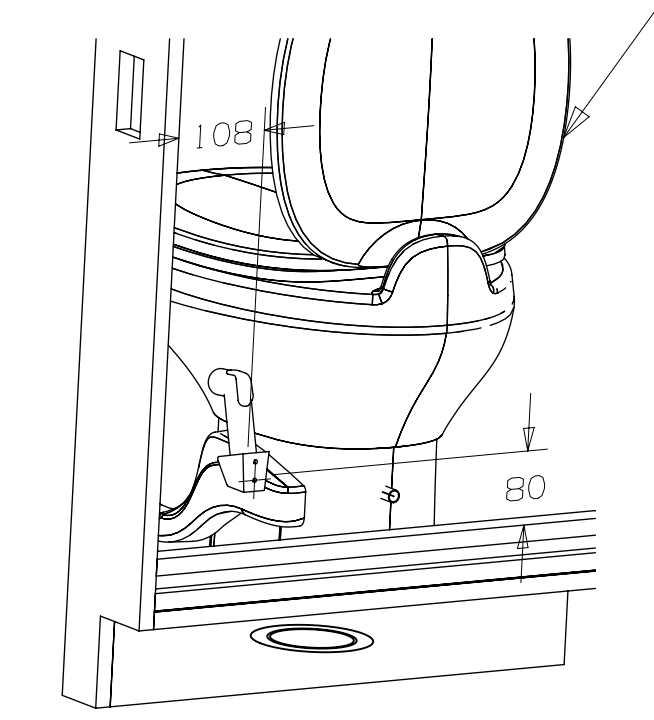


6 CP-2

CP-2 6

TOILET-STYLE II
160815-01-CHT

TOILET-RESIDENCE, HI, W/O SPR
184093-02-CHT (640 & 093)
160815-03-CHT (644)

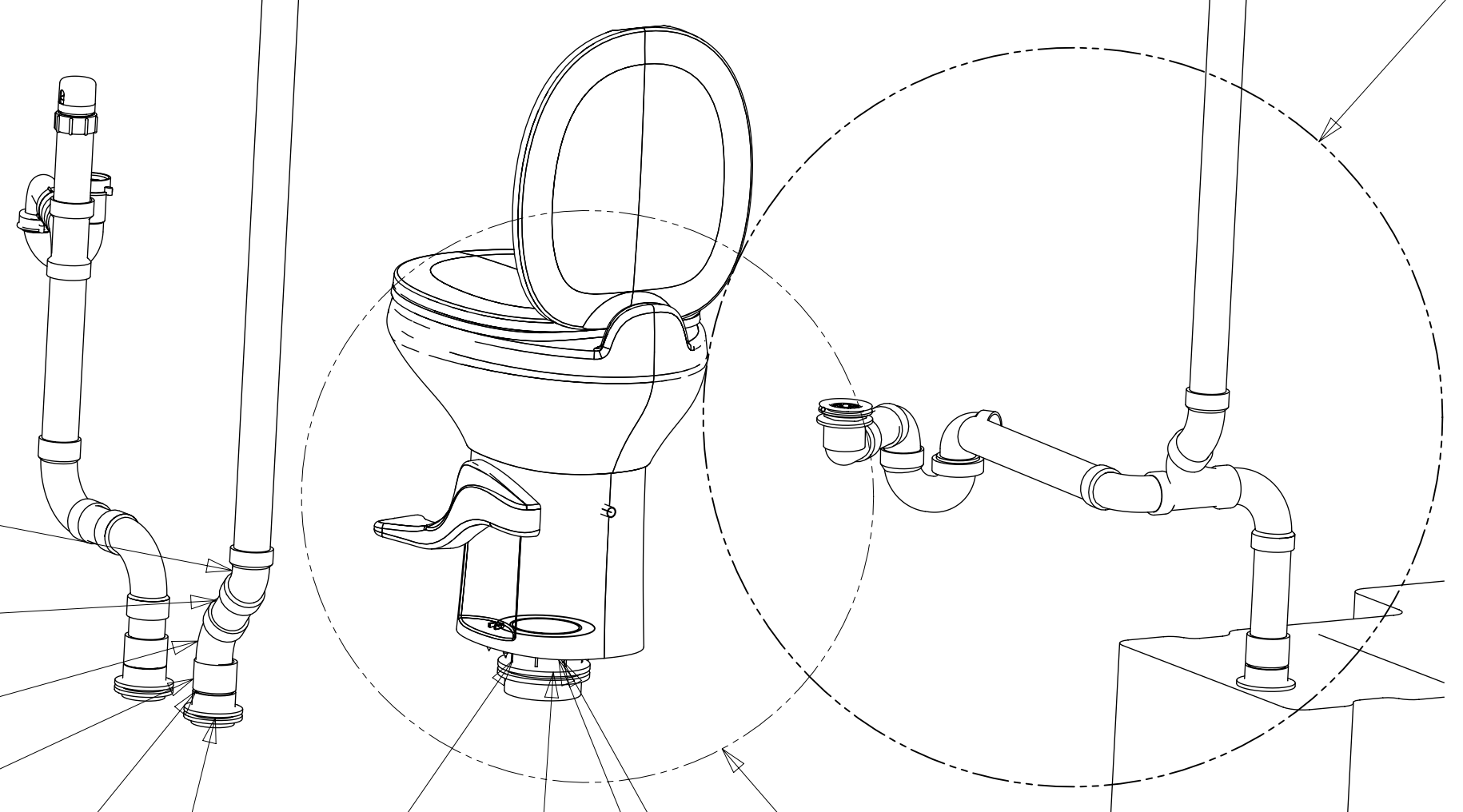


DETAIL CB
640 & 09A

DETAIL CB

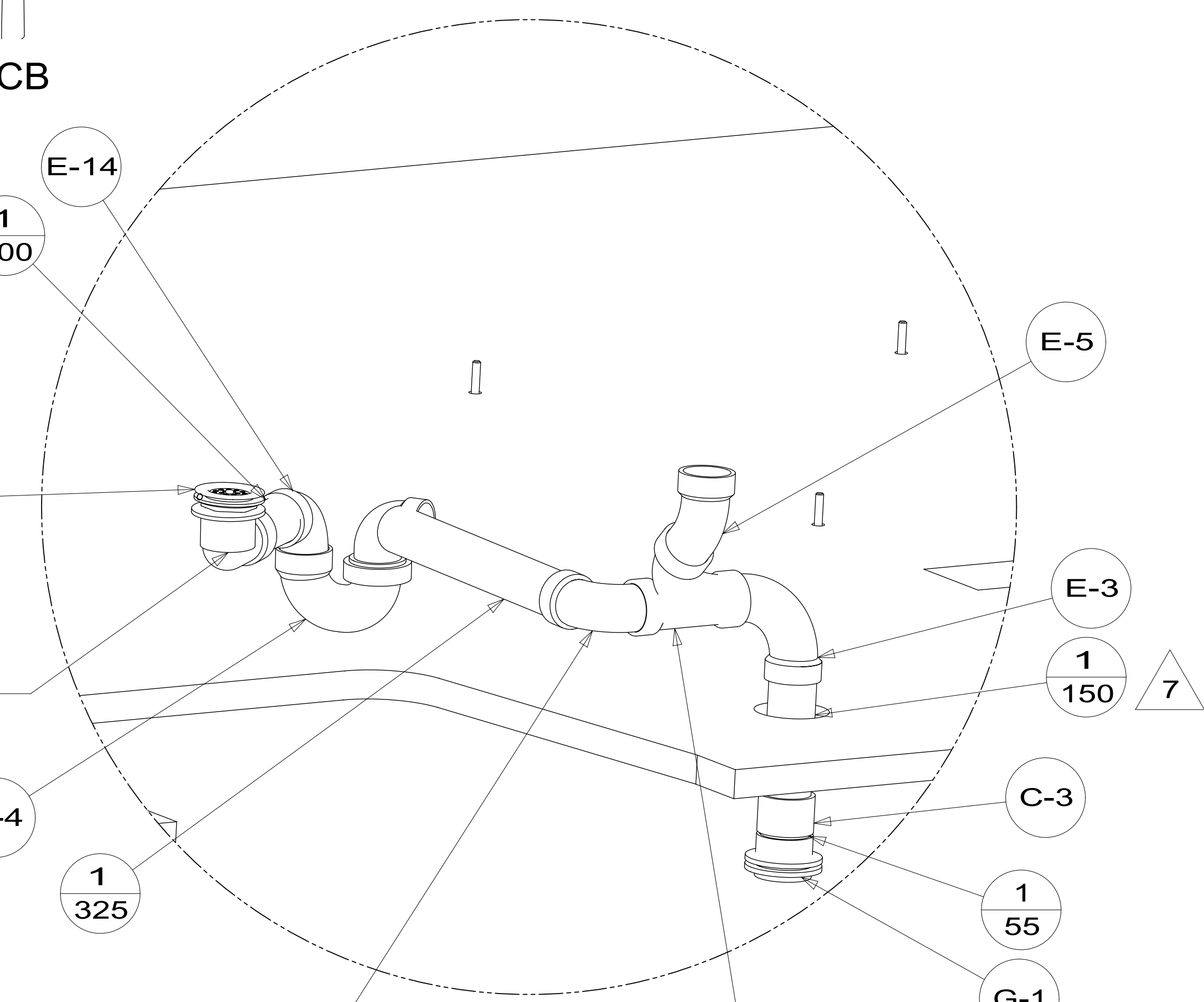
SHOWER INSTL
147883-05-000
STRAINER W/RUBBER WASHER
066440-01-000
SEALER
069640-01-000
WASHER-RUBBER
127440-02-CHT

ELBOW-DRAIN
131486-01-000



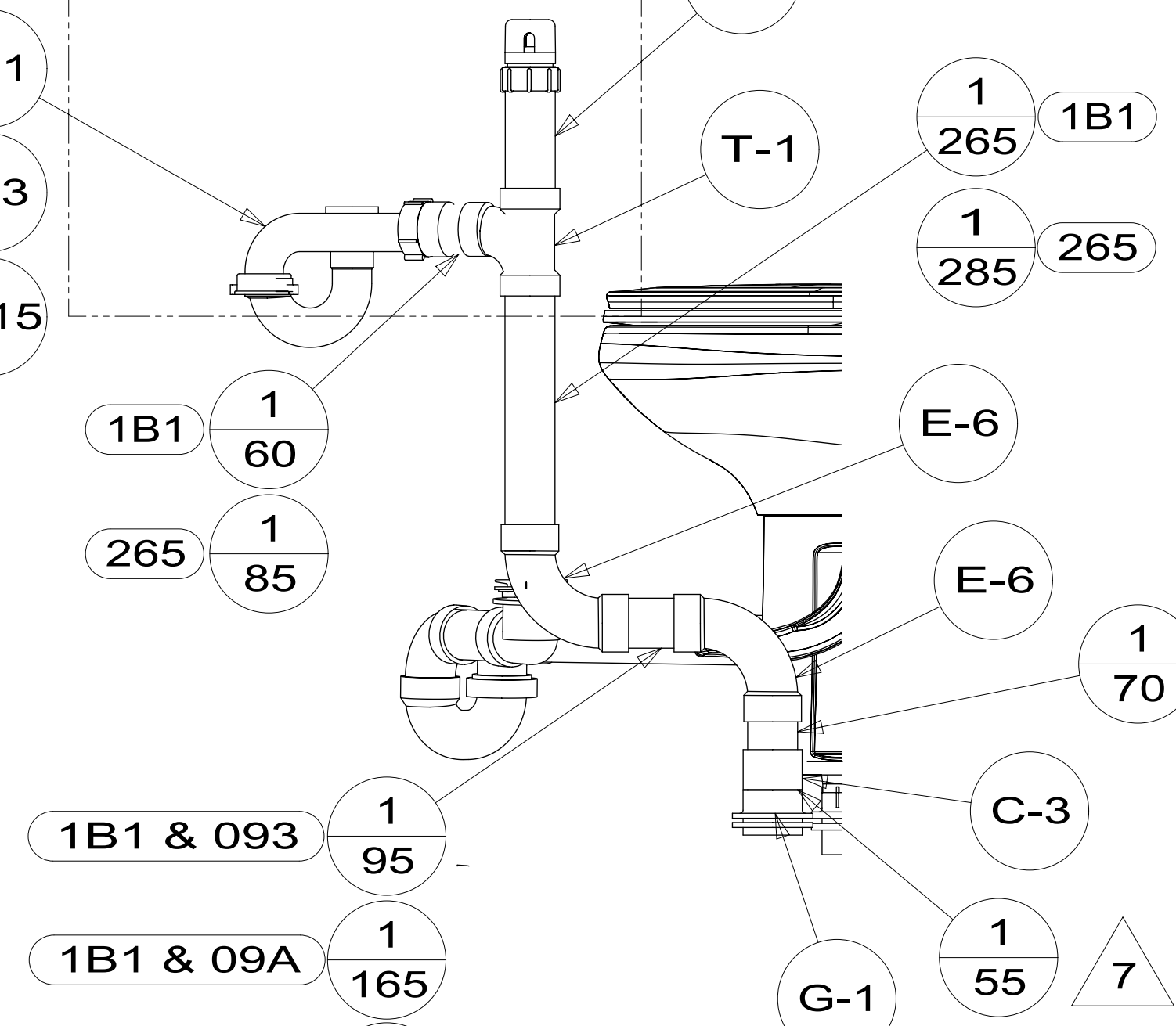
VIEW CA

DETAIL CD



DETAIL CD

DETAIL CE



VIEW CC

SINK-LAVATORY
096927-01-CHT
SEAL
091255-02-000 (A/R)

SINK-LAVATORY, OVAL
184546-01-CHT
SEAL
091255-03-000 (A/R)

STRAINER ASM-PLASTIC
106116-01-CHT

SCREW-FLAT HEAD TAPPING
087721-01-000 (8)

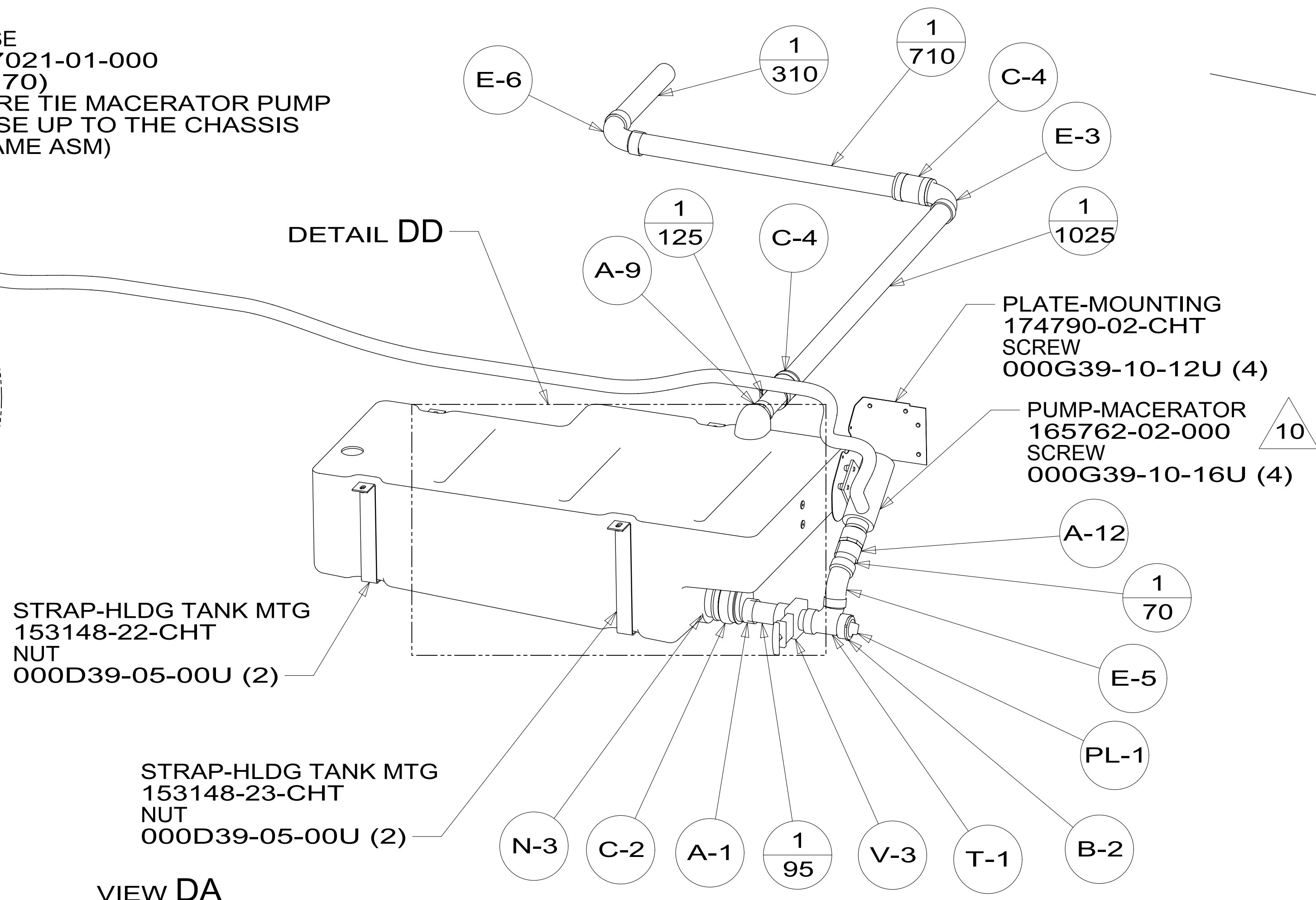
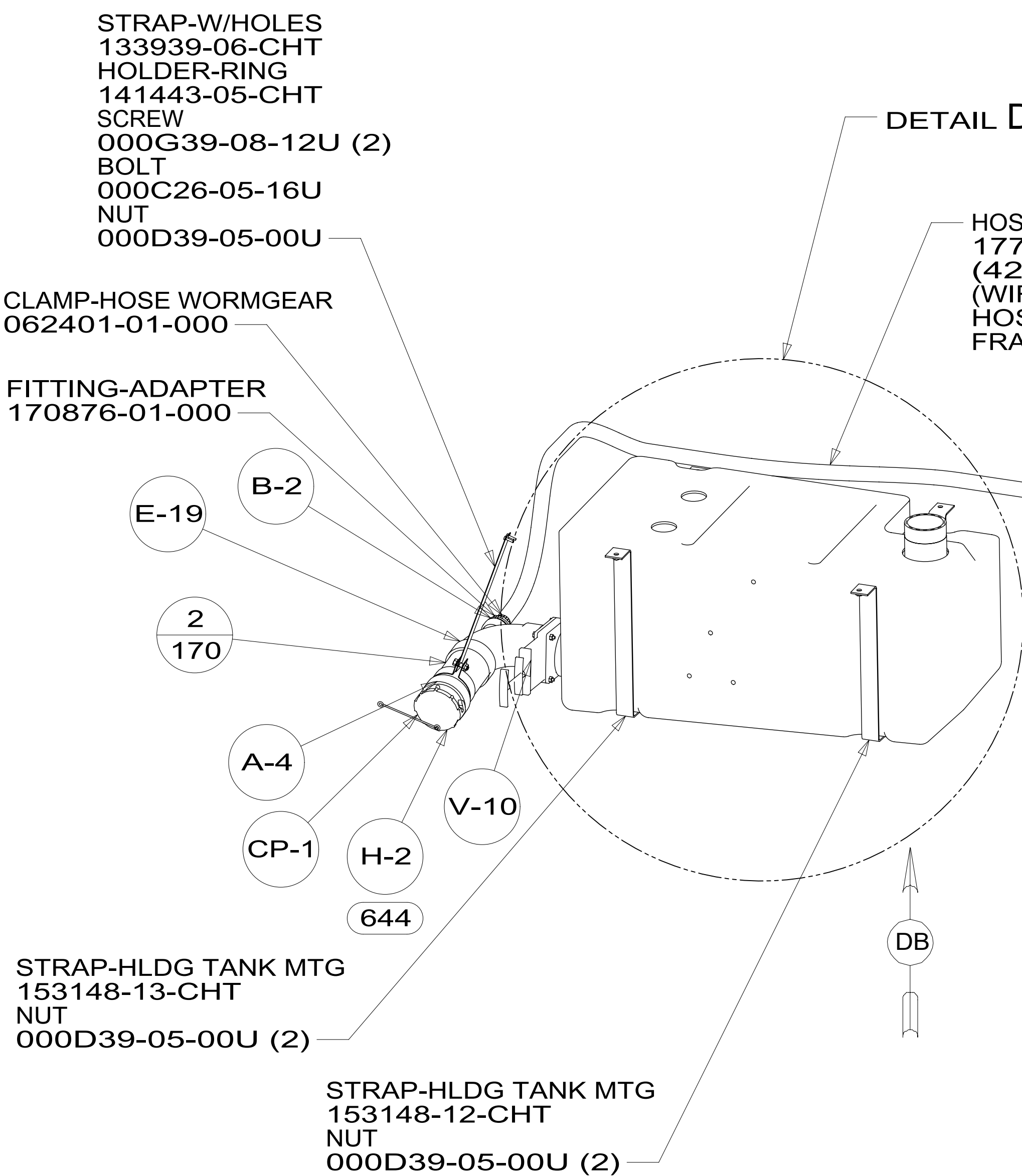
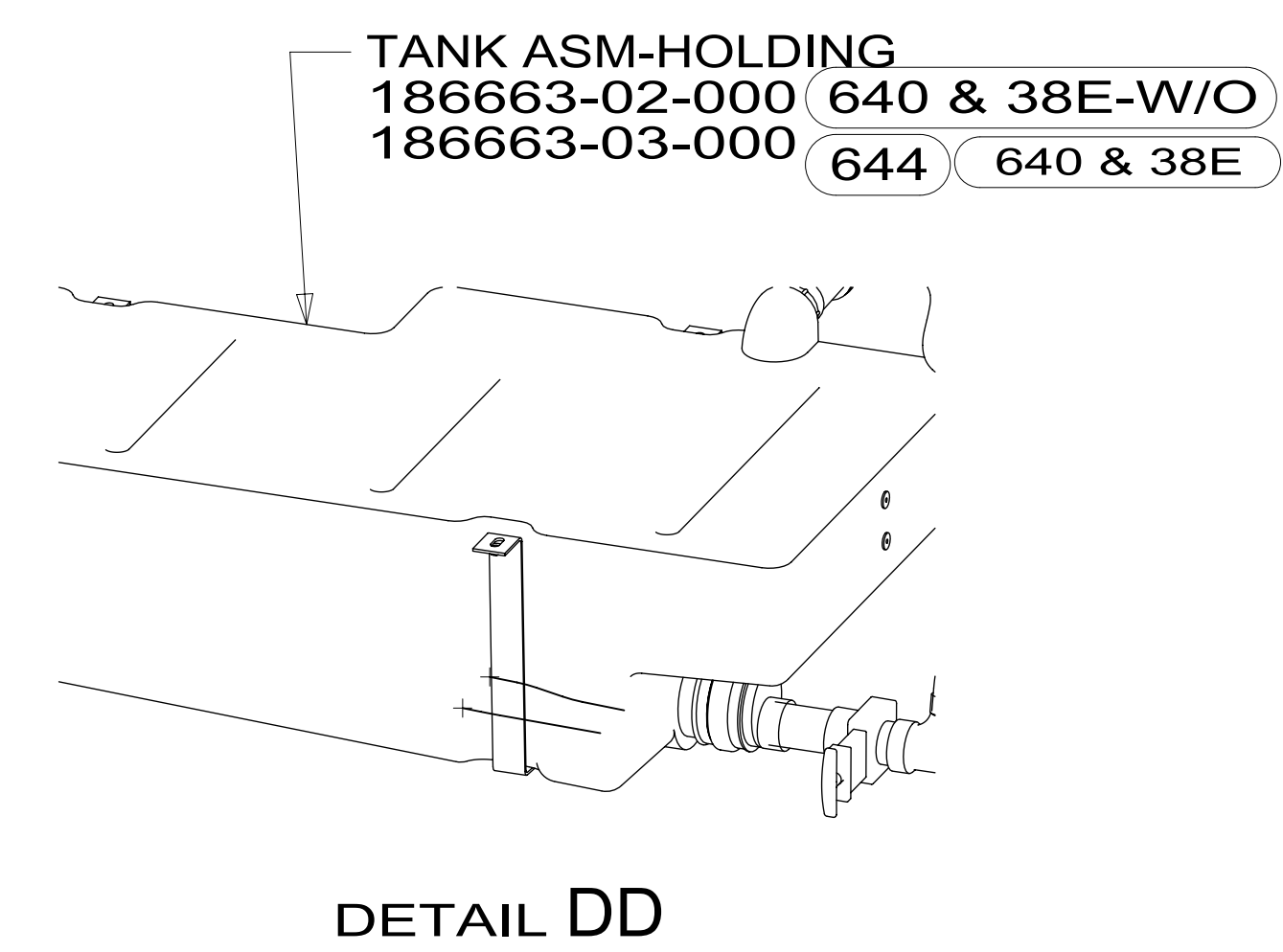
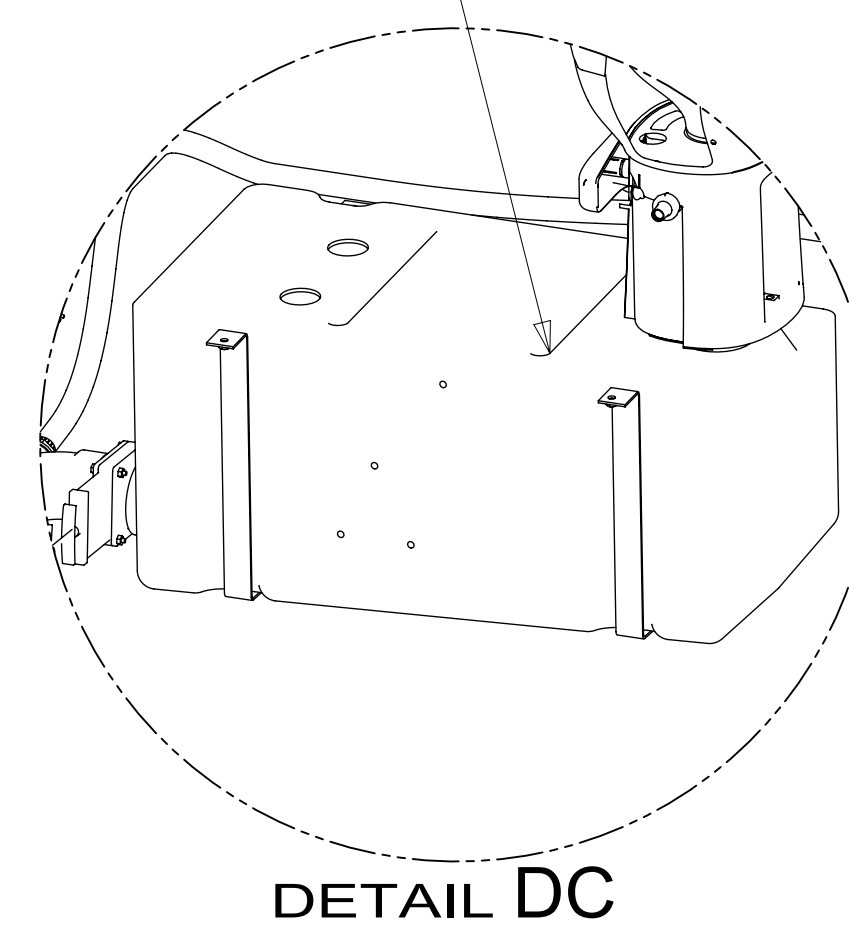
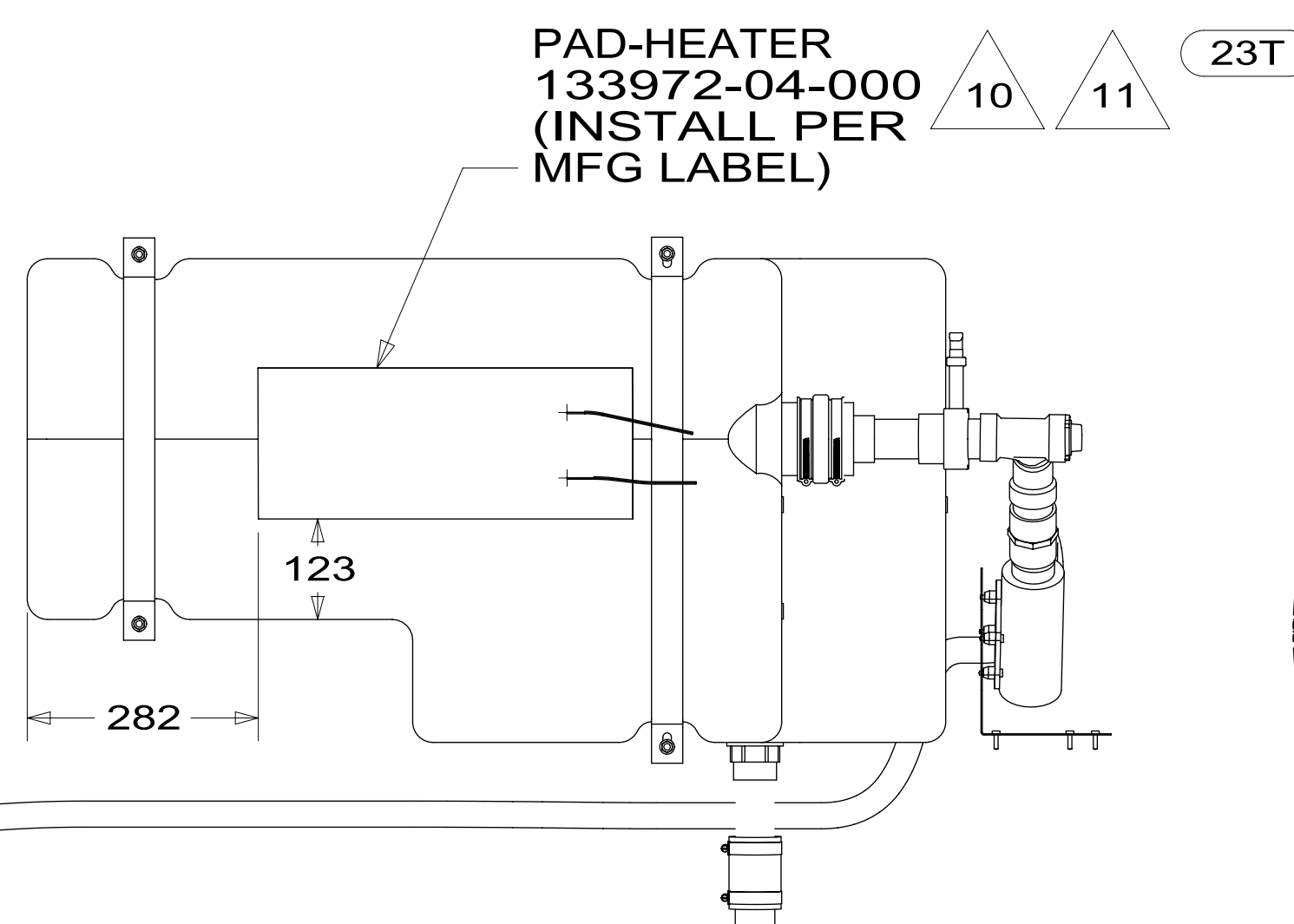
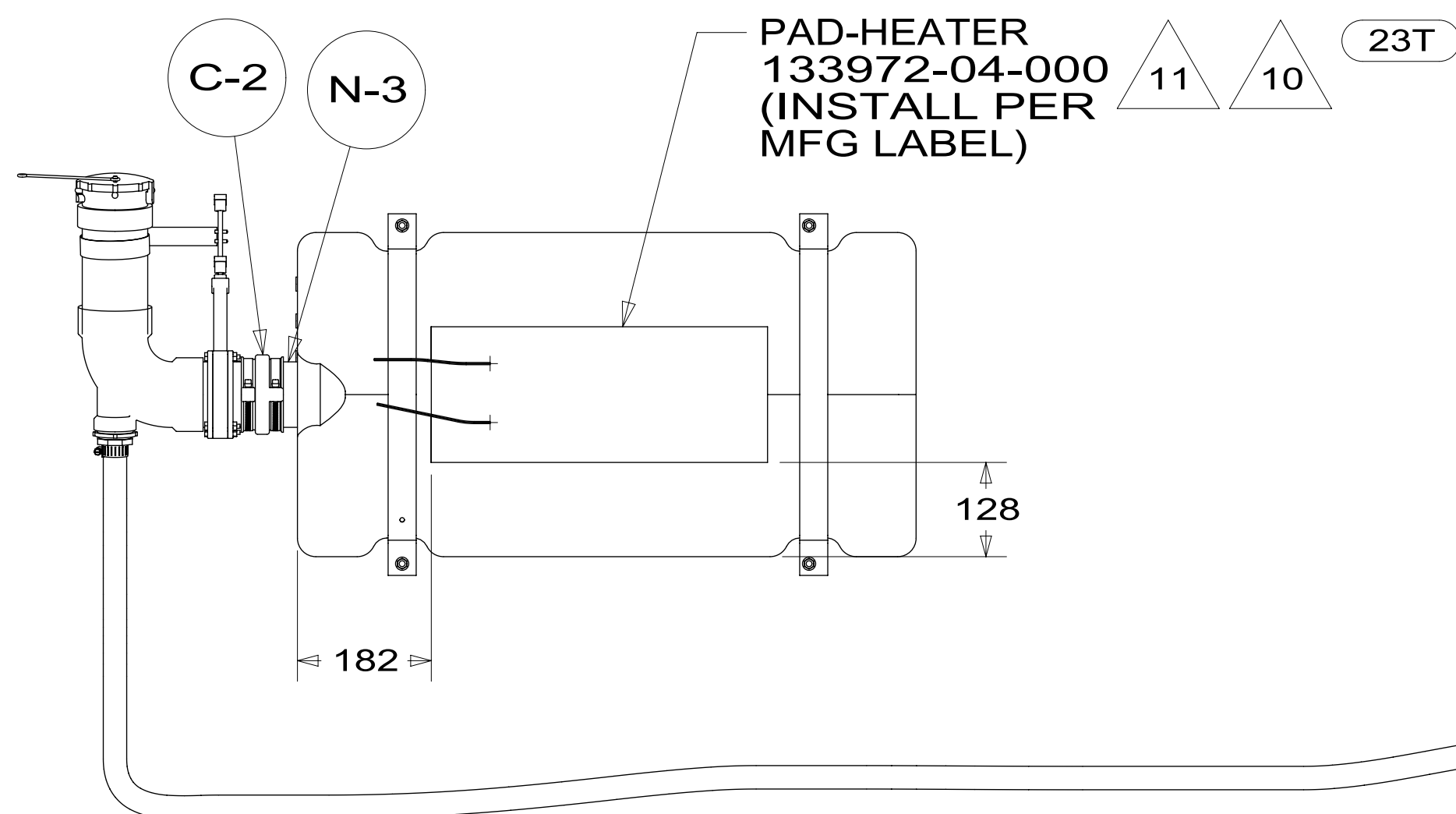
NIPPLE
010129-02-000 (12)

DETAIL CE
093

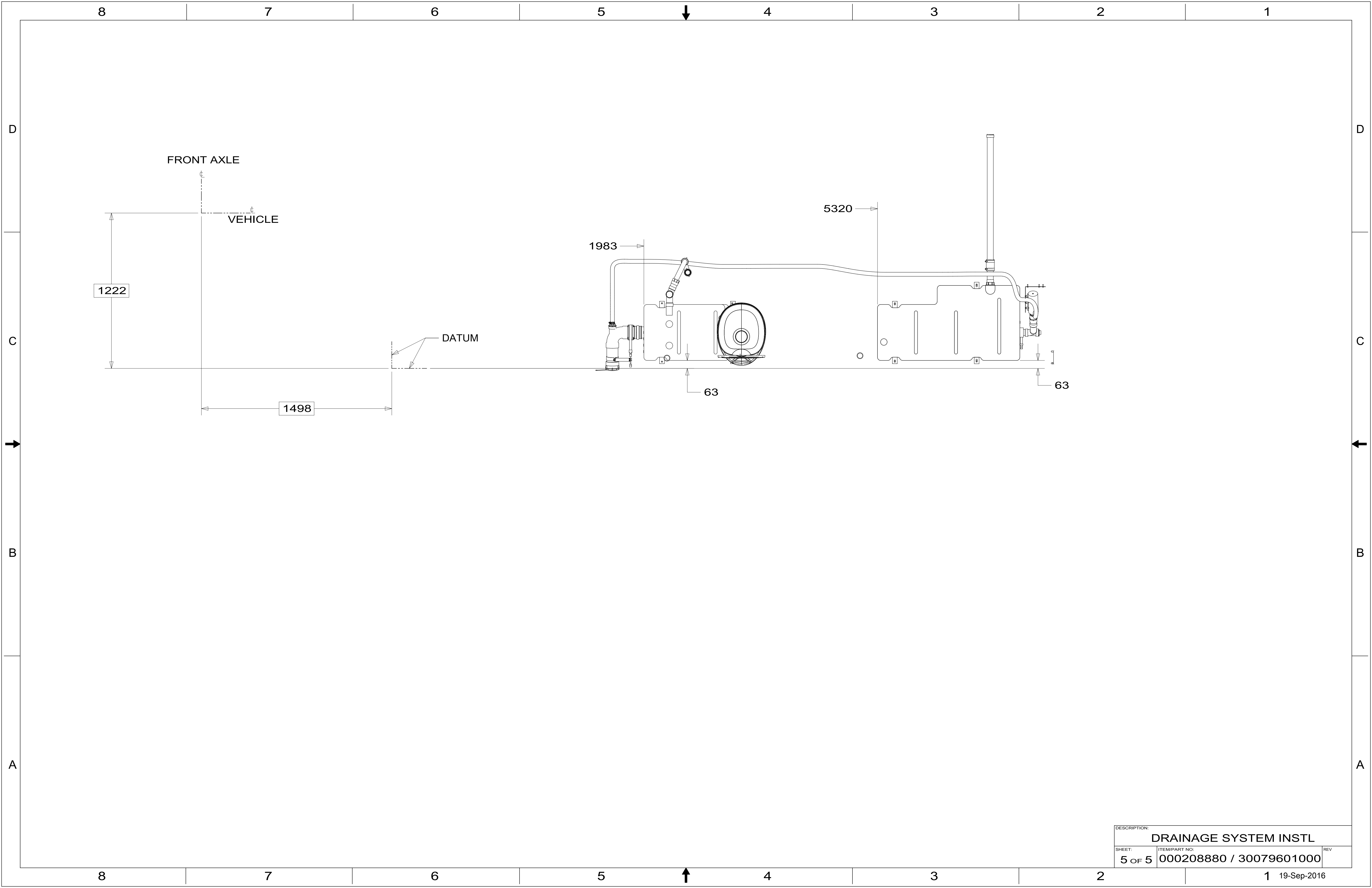
DETAIL CE
09A

DESCRIPTION: DRAINAGE SYSTEM INSTL		
SHEET: 3 OF 5	ITEM/PART NO: 000208880 / 30079601000	REV

8 7 6 5 4 3 2 1



DESCRIPTION: DRAINAGE SYSTEM INSTL		
SHEET: 4 OF 5	ITEM/PART NO: 000208880 / 30079601000	REV
8	7	1 19-Sep-2016



DESCRIPTION: DRAINAGE SYSTEM INSTL		
SHEET: 5 OF 5	ITEM/PART NO: 000208880 / 30079601000	REV