

- 13** APPLY 1/4" BEAD OF SILICONE (131264-05-CHT) TO FLANGE BEFORE INSTALLATION AND THEN CAP SEAL SINK/COLIAN COUNTER TOP WITH SILICONE (131264-05-CHT).
- 12** CUT PART TO 90mm.
- 11** PREP THE SURFACE PER MANUFACTURERS INSTRUCTIONS BEFORE APPLYING THE HEATING PAD.
- 10** SEE WIRING INSTL-BODY FOR ELECTRICAL CONNECTION.
- 9.** SEE DRAWING 061607 FOR INSTALLATION OF GROMMETS.
- 8.** SECURE DRAINAGE PIPES TO CABINET USING WIRE TIE 108046-02-000, AND SCREW 000G67-10-12U AT INTERVALS OF NOT OF NOT MORE THAN 4 FEET APART.
- 7** SECURE VENT PIPE TO FLOOR WITH CLAMP 062401-02-000 (2), SCREW 000G67-10-12U (2), BRACKET 136878-01-CHT (2).
- 6** VENT PIPE MUST PROJECT 51 MIN AND 64 MAX ABOVE ROOF FOR PROPER FIT AND FUNCTION. ADD S-1 (116666-01-CHT SEAL-VENT PIPE) AROUND PIPE ON ROOF BEFORE VENT CAP IS INSTALLED.
- 5.** SEAL AROUND SHOWER WITH SILICONE.
- 4** USE SMOOTH PLUMBERS PUTTY 167459-01-000 TO SEAL STRAINER (0.2 PER STRAINER).
- 3.** ALL PIPE AND FITTINGS TO BE ASSEMBLED WITH SOLVENT 004020-01-000 (USA), 004020-02-000 (CAN)
- 2.** SLOPE OF TRAP ARM MUST BE 6 PER 305 mm.
- 1.** SLOPE OF HORIZONTAL PIPING TO BE MINIMUM OF 3 PER 305 mm.

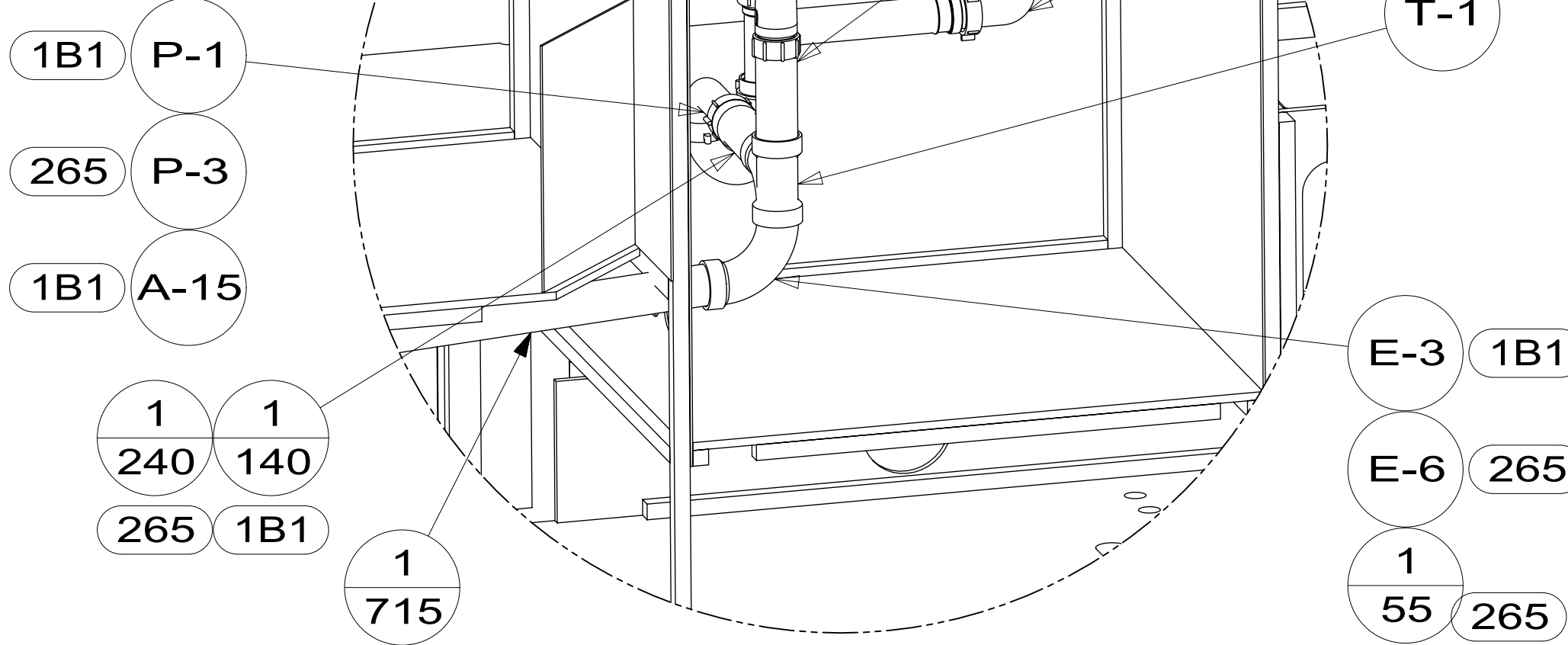
- 093** PREMIUM PACKAGE WITHOUT
- 09A** PREMIUM PACKAGE
- 38E** CONVENIENCE PACKAGE
- 640** RENTAL - GAH WITHOUT
- 644** GREAT ALASKAN RENTAL PACKAGE
- 265** CODES/STANDARDS-CSA/CMVSS
- 23T** DRAINAGE SYSTEM-HEATED
- 1B1** CODES/STANDARDS USA

<b>WINNEBAGO</b> COPYRIGHT 2016 WINNEBAGO INDUSTRIES, INC.			
DSNR:		ALL DIMENSIONS ARE IN MILLIMETERS	
DIFTR:			
UNSPECIFIED TOLERANCES:		MATERIAL:	
WHOLE DIM (X)	3		
ONE-PLACE (X.X)	1.5		
TWO-PLACE (X.XX)	0.50		
ANGLE	1°		
REFER TO ES0018 FOR FASTENER TIGHTENING GUIDELINES		WEIGHT: (LBS)	FIRST USED: (REF)
			<b>16 331K</b>
<b>DESCRIPTION:</b>			
<b>DRAINAGE SYSTEM INSTL</b>			
SHEET:	ITEM/PART NO:	REV:	
<b>1 OF 5</b>	<b>000208717 / 30081301000</b>		
REF:		1 19-Sep-2016	

**FOR DRAINAGE CALLOUTS SEE DWG NO 116229-01-000**

NOTES:

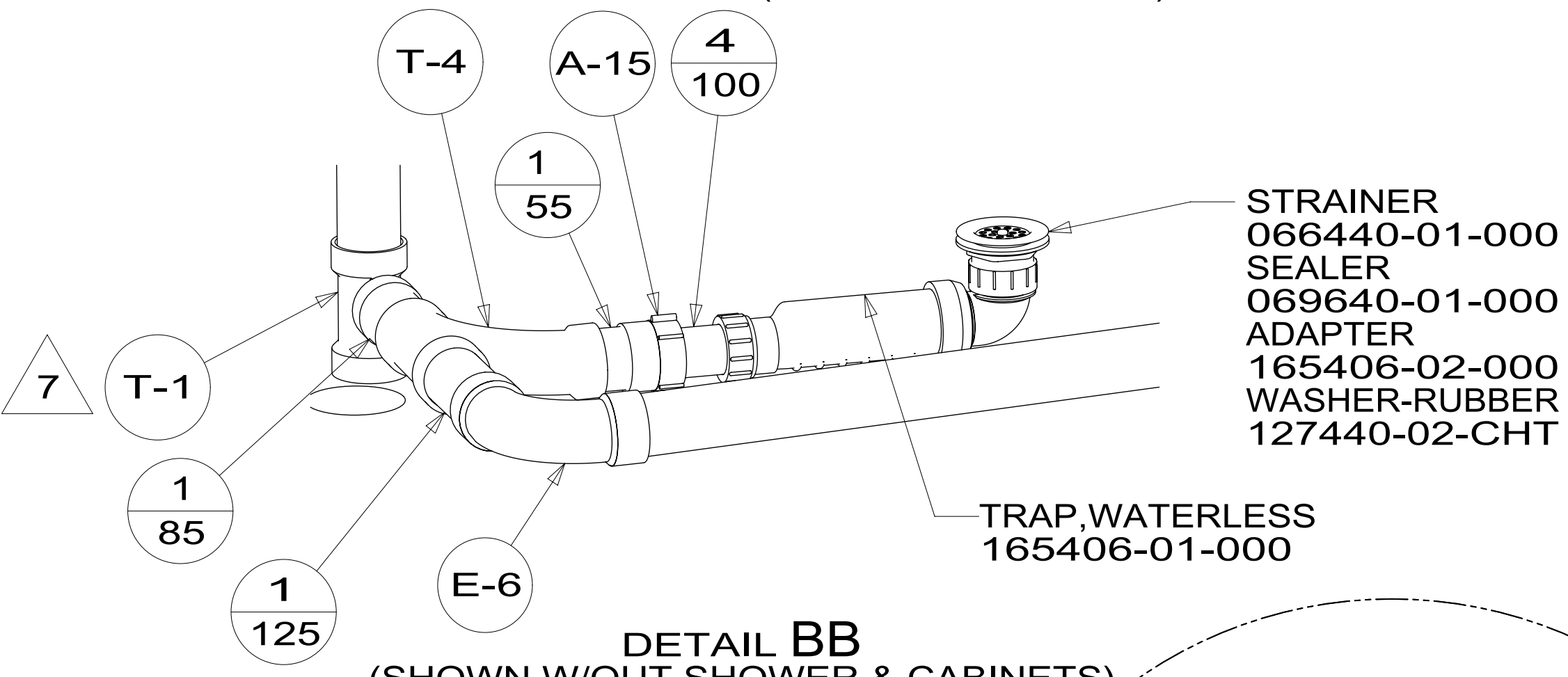
- 13 SINK  
000013705 / 311763-01-CHT
- 4 STRAINER  
092303-01-000 (2)
- ANGLE  
140002-01-CHT (8)



**DETAIL BC**

640 & 09A

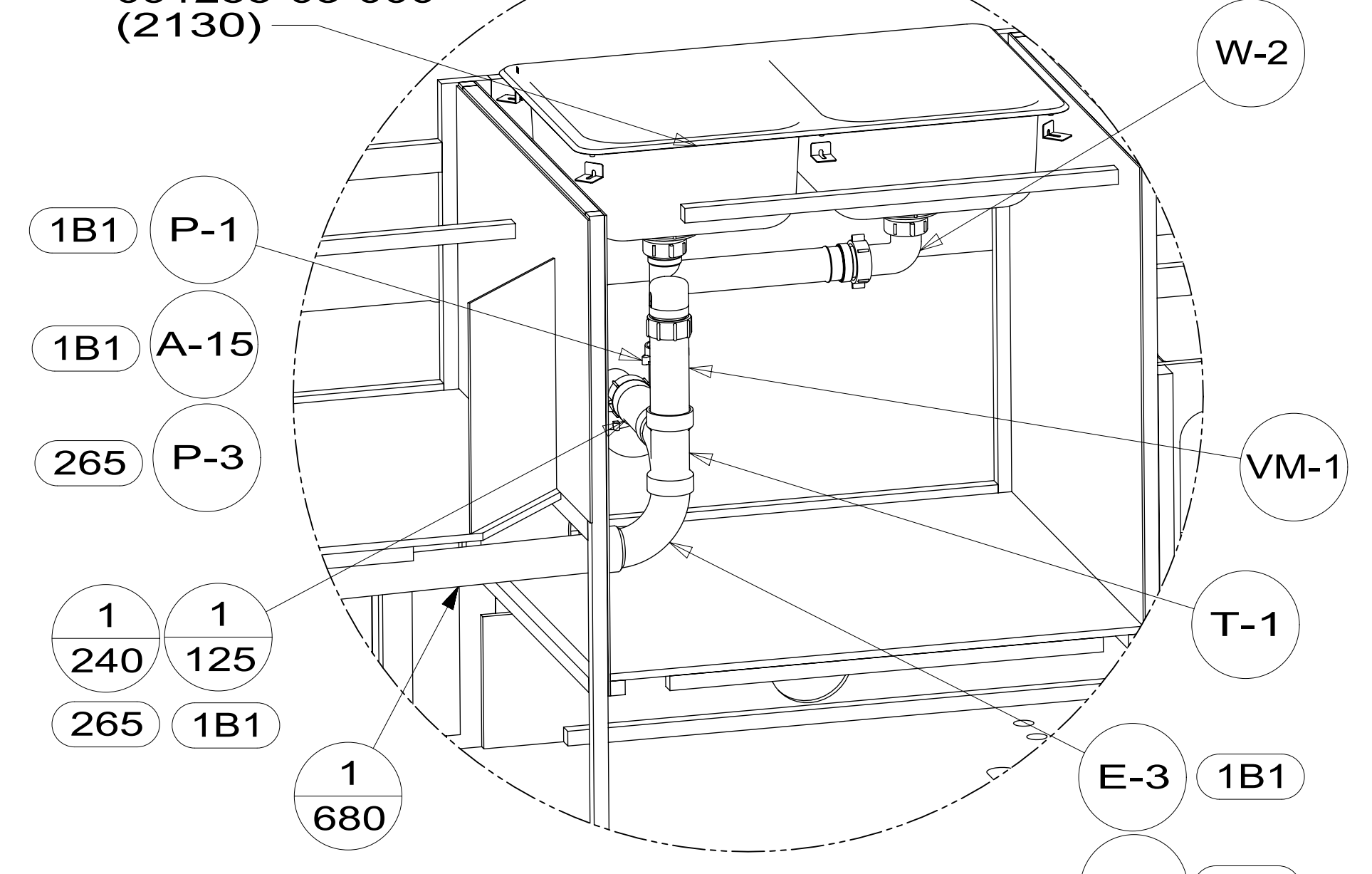
(UNDERMOUNT SINK)



**DETAIL BB**

(SHOWN W/OUT SHOWER & CABINETS)

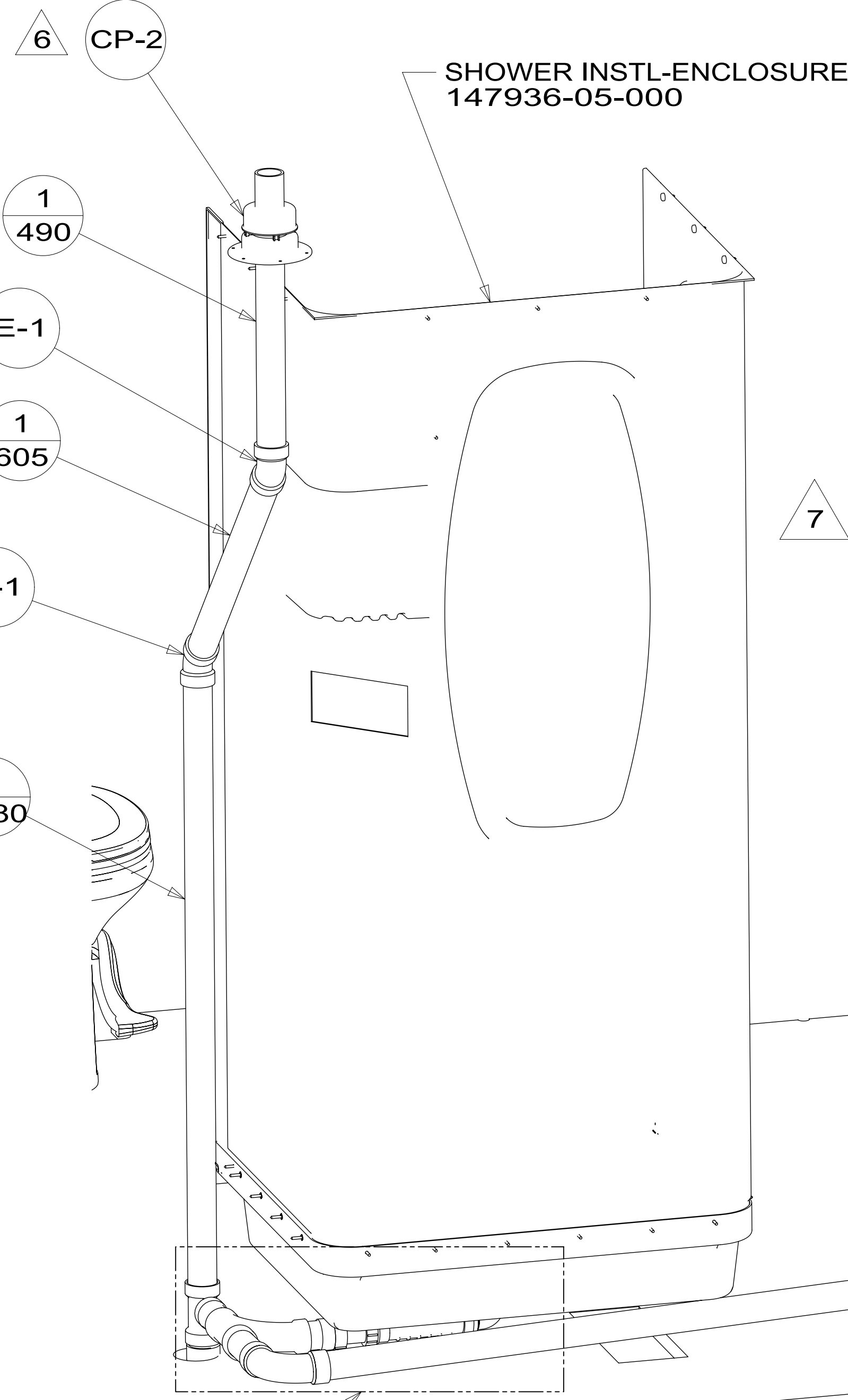
- 4 SINK-GALLEY, DBL, 15X25X5  
000013705 / 311763-01-CHT
- STRAINER  
092303-01-000 (2)
- SEAL  
091255-03-000  
(2130)



**DETAIL BC**

644 093

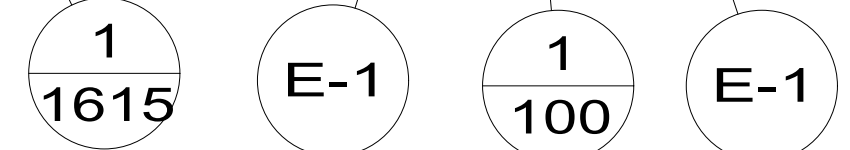
(TOP MOUNT SINK)



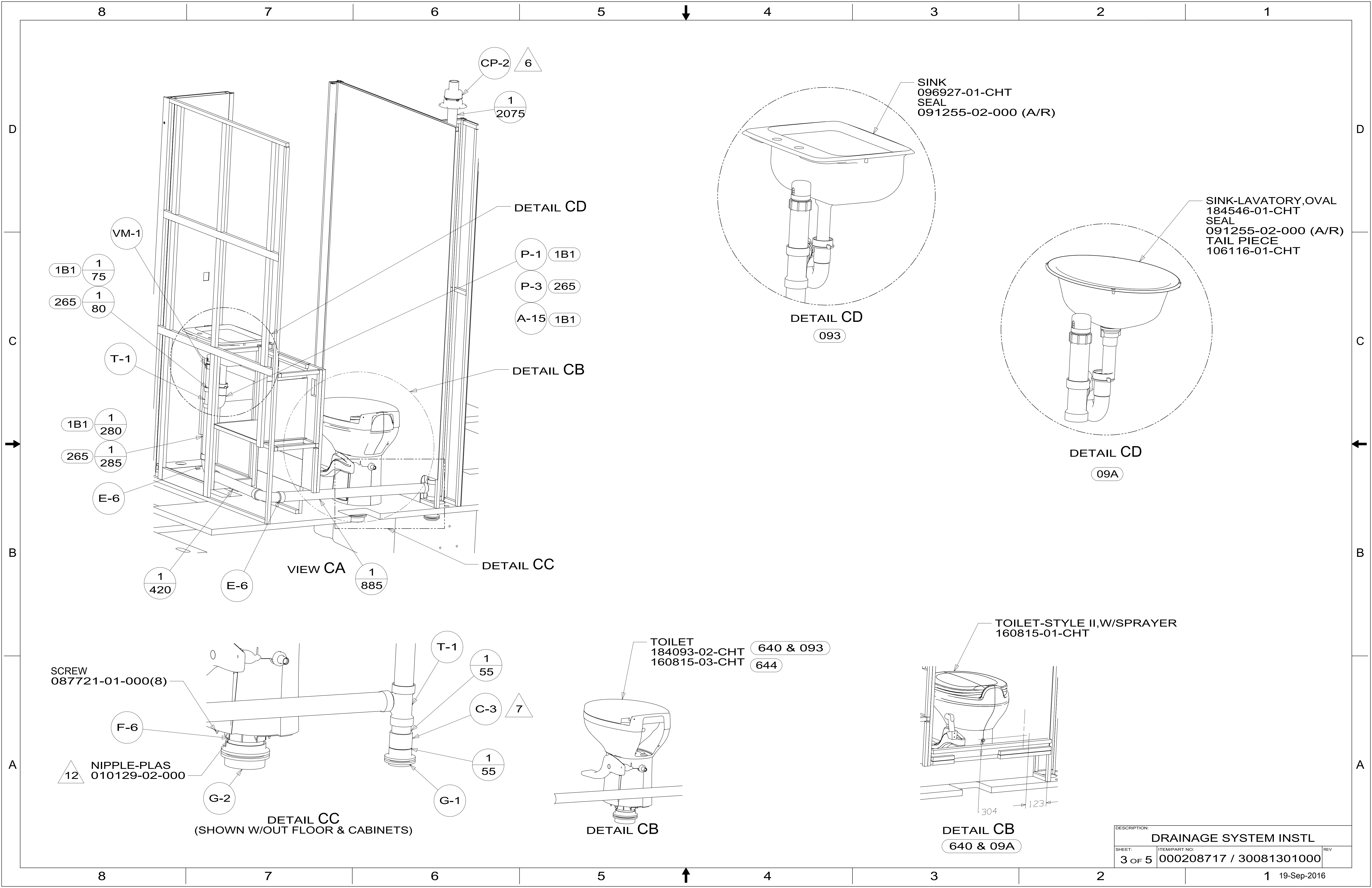
SHOWER INSTL-ENCLOSURE  
147936-05-000

**DETAIL BB**

**VIEW BA**



DESCRIPTION: <b>DRAINAGE SYSTEM INSTL</b>		
SHEET: 2 OF 5	ITEM/PART NO: 000208717 / 30081301000	REV



CP-2 6  
1  
 2075

VM-1  
1B1 1  
75  
265 1  
80

DETAIL CD  
P-1 1B1  
P-3 265  
A-15 1B1

SINK  
 096927-01-CHT  
 SEAL  
 091255-02-000 (A/R)

SINK-LAVATORY, OVAL  
 184546-01-CHT  
 SEAL  
 091255-02-000 (A/R)  
 TAIL PIECE  
 106116-01-CHT

T-1  
1B1 1  
280  
265 1  
285

DETAIL CB

DETAIL CD  
093

DETAIL CD  
09A

E-6  
1  
420  
 E-6  
1  
885

VIEW CA

DETAIL CC

SCREW  
 087721-01-000(8)

12 NIPPLE-PLAS  
 010129-02-000

T-1 1  
55  
C-3 7  
1  
55  
 G-2  
 G-1

DETAIL CC  
 (SHOWN W/OUT FLOOR & CABINETS)

TOILET  
 184093-02-CHT 640 & 093  
 160815-03-CHT 644

DETAIL CB

TOILET-STYLE II, W/SPRAYER  
 160815-01-CHT

DETAIL CB  
640 & 09A

304 123

DESCRIPTION: <b>DRAINAGE SYSTEM INSTL</b>		
SHEET: 3 OF 5	ITEM/PART NO: 000208717 / 30081301000	REV

8 7 6 5 4 3 2 1

FRONT AXLE

VEHICLE

1222

1498

DATUM

5417

4705

815

63

DA

HANGER-STRAP  
140220-22-CHT  
BOLT  
000C18-05-40U  
NUT  
000D39-05-00U  
HOLDER-RING  
141443-03-CHT  
BOLT  
000C26-05-16U  
NUT  
000D39-05-00U

DETAIL DB

STRAP-HLDG TANK MTG  
153148-12-CHT  
NUT  
000D39-05-00U (2)

TANK-HOLDING  
183786-03-000 640 & 38E-WITHOUT  
183786-12-000 640 & 38E 644

TANK-HOLDING  
183786-02-000 640 & 38E-WITHOUT  
183786-08-000 644 640 & 38E

STRAP-HLDG TANK MTG  
153148-13-CHT  
NUT  
000D39-05-00U (2)

STRAP-HLDG TANK MTG  
153148-13-CHT  
NUT  
000D39-05-00U (2)

STRAP-HLDG TANK MTG  
153148-12-CHT  
NUT  
000D39-05-00U (2)

VIEW DA

EA

DETAIL DB

8 7 6 5 4 3 2 1

DESCRIPTION: <b>DRAINAGE SYSTEM INSTL</b>		
SHEET: 4 OF 5	ITEM/PART NO: 000208717 / 30081301000	REV

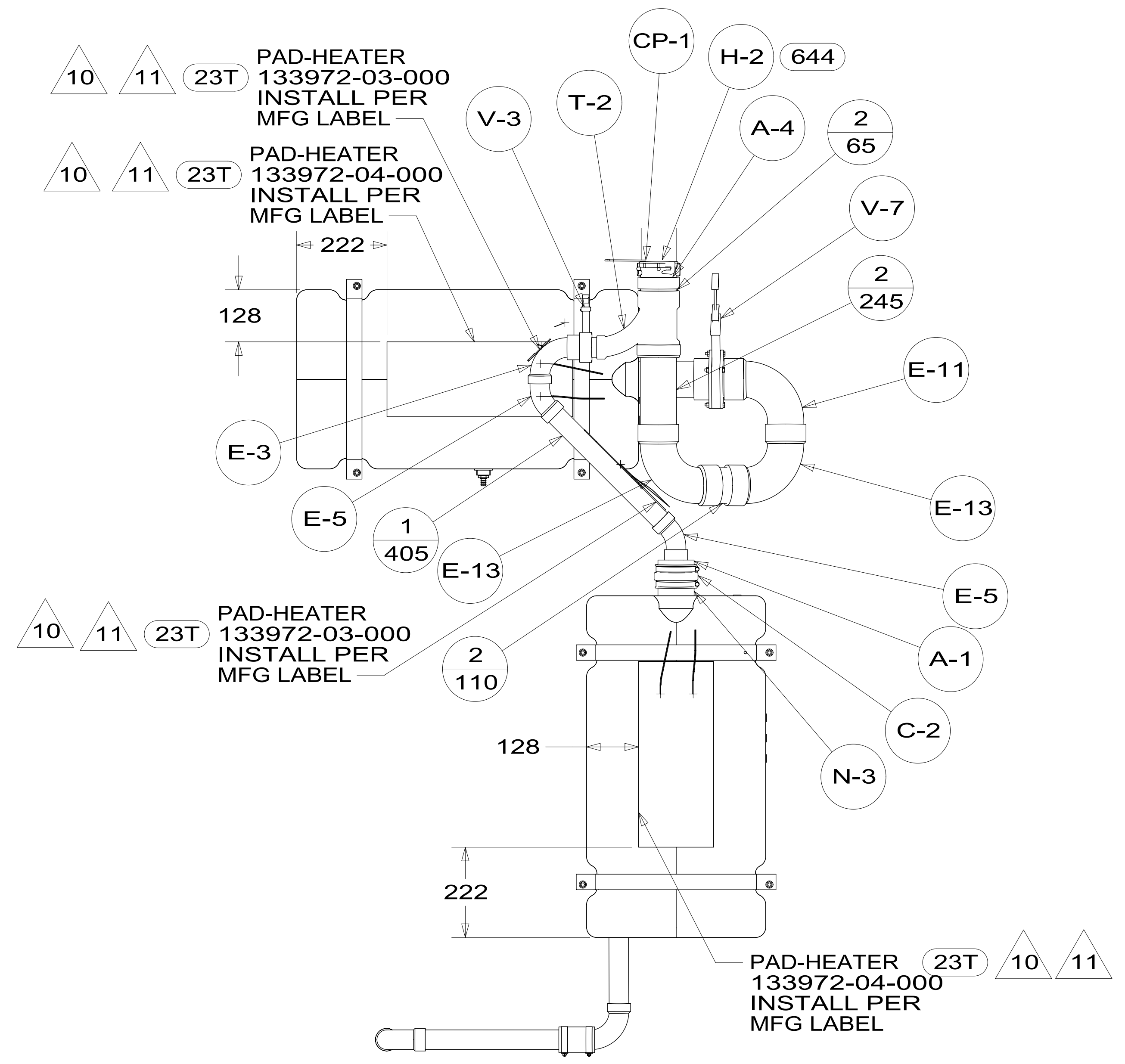
1 19-Sep-2016

8 7 6 5 4 3 2 1



D  
C  
B  
A

D  
C  
B  
A



VIEW EA

DESCRIPTION: <b>DRAINAGE SYSTEM INSTL</b>		
SHEET: 5 OF 5	ITEM/PART NO: 000208717 / 30081301000	REV
		1 19-Sep-2016

8 7 6 5 4 3 2 1

