

- 6 ROUTE CABLE FROM RADIO TO PASSENGER'S STEPWELL AREA, UP WINGWALL, THROUGH SLEEPER BOARD ASM, UNDER TRIM TO ANTENNA PLATE ON ROOF.
- 5 MOUNT ANTENNA AND PLATE SUCH THAT BASE IS SQUARE WITH ROOF AND DIRECTLY OVER HOLE IN ROOF. SEAL BOTH HOLE IN ROOF AND ANTENNA BASE AT SCREWS.
- 4 SUPPLIED WITH CHASSIS. USE SHORTEST SUPPLIED ANTENNA.
- 3 ROUTE CABLE TO DASH RADIO.
- 2 WIRING IS ROUTED DIFFERENTLY FOR EACH UNIT FROM THIS POINT REARWARD.
- 1 REAR MONITOR CAMERA CABLE IS PART OF WIRE ASM-CHASSIS AND RUNS ALONG LEFT FRAME RAIL.

NOTES:

ANTENNA-SATELLITE RADIO
181908-02-000
PLATE-SATELLITE RADIO
177256-04-CHT
SCREW
G-11-08-08U (4)
SEAL

70C
643

CABLE-MONITOR 1 3

WIRE ASM-MONITOR, 15'
(REF) 283

70C
643 CABLE-ANTENNA, SATELLITE
(SUPPLIED WITH ANTENNA)

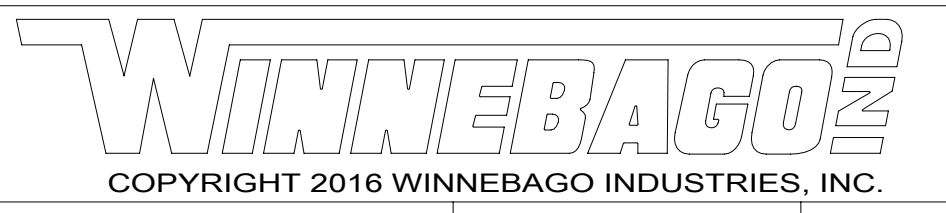
283 WIRE ASM-MONITOR
(REF)

4 ANTENNA-RADIO

HOLE IN FLOOR

- 643 RENTAL-MILES DIXON
- 70C RADIO - SATELLITE
- 283 MIRRORS-UPGRADE W/CAMERA
- 265 CODES/STANDARDS-CSA/CMVSS
- 1B1 CODES/STANDARDS USA

1B1 265



DSNR:		ALL DIMENSIONS ARE IN MILLIMETERS	
DIFFR:		MATERIAL:	
UNSPECIFIED TOLERANCES:			
WHOLE DIM (X)	: 3		
ONE-PLACE (X.X)	: 1.5		
TWO-PLACE (X.XX)	: 0.50		
ANGLE	: 1°		
REFER TO ES0018 FOR FASTENER TIGHTENING GUIDELINES		WEIGHT: (LBS)	FIRST USED:
			16 327Q

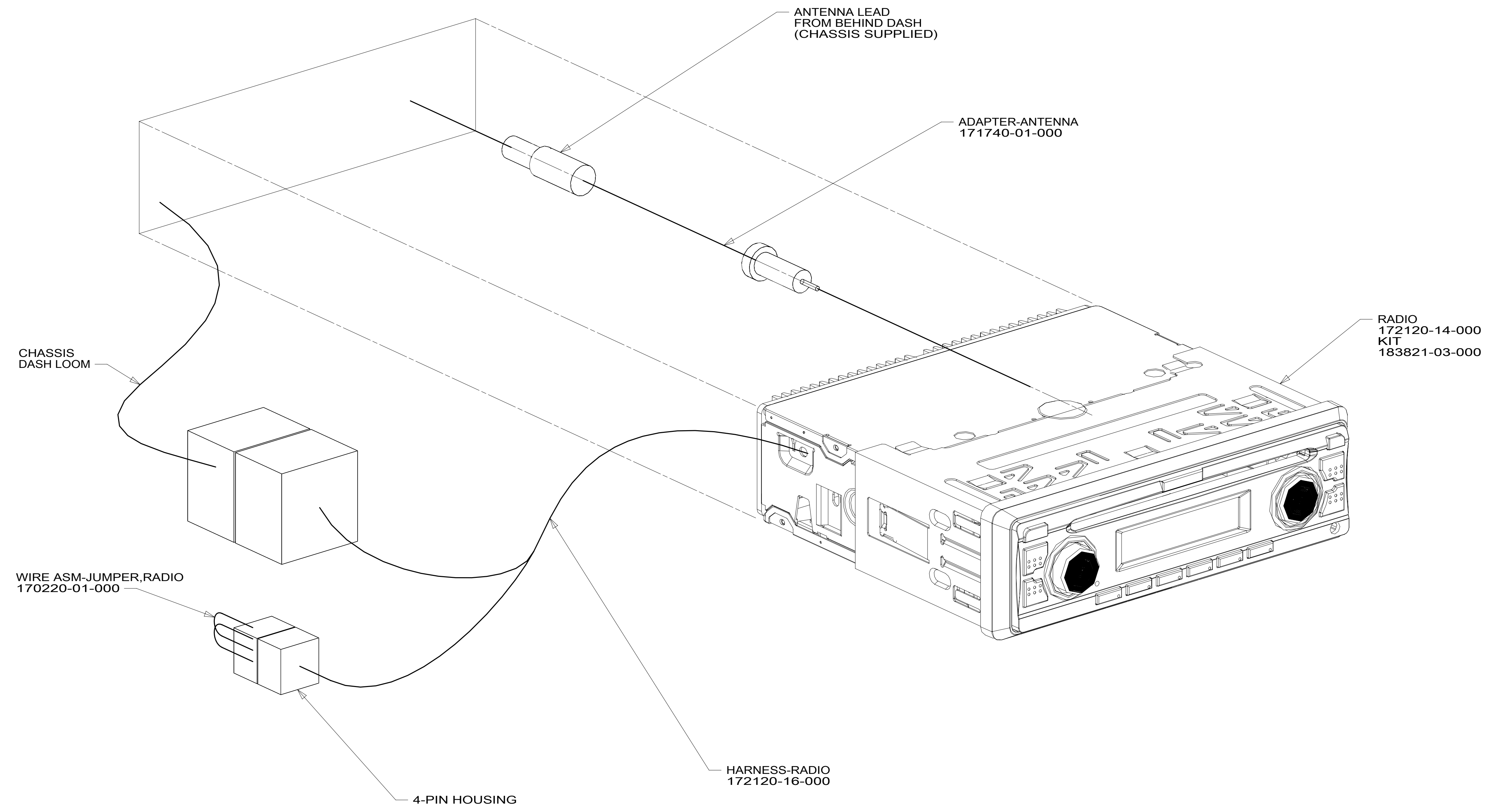
FOR ELECTRICAL TORQUE SPECIFICATIONS SEE DWG NO. 128783-01-000

FOR ELECTRICAL CALLOUTS SEE DWG NO. 121339-01-000

DESCRIPTION: RADIO/MONITOR INSTL		
SHEET: 1 OF 5	ITEM/PART NO: 000208694 / 30074001000	REV:

8 7 6 5 4 3 2 1

D
C
B
A



- 19V RADIO-AM/FM STEREO CD PLAYER
- 265 CODES/STANDARDS-CSA/CMVSS
- 1B1 CODES/STANDARDS USA

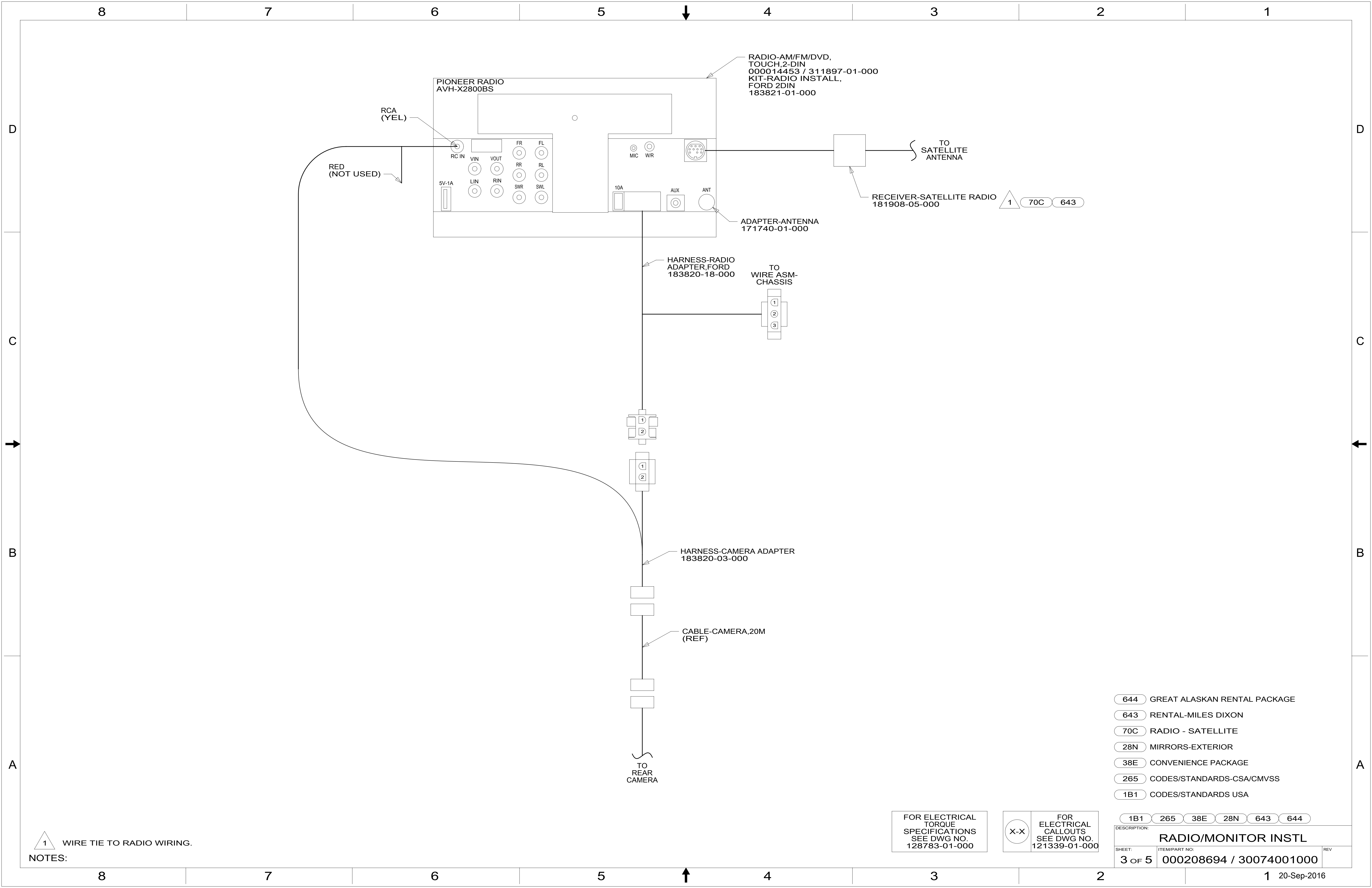
FOR ELECTRICAL TORQUE SPECIFICATIONS SEE DWG NO. 128783-01-000

FOR ELECTRICAL CALLOUTS SEE DWG NO. 121339-01-000

DESCRIPTION:		
RADIO/MONITOR INSTL		
SHEET:	ITEM/PART NO.:	REV:
2 OF 5	000208694 / 30074001000	

8 7 6 5 4 3 2 1

D
C
B
A



NOTES:
 1 WIRE TIE TO RADIO WIRING.

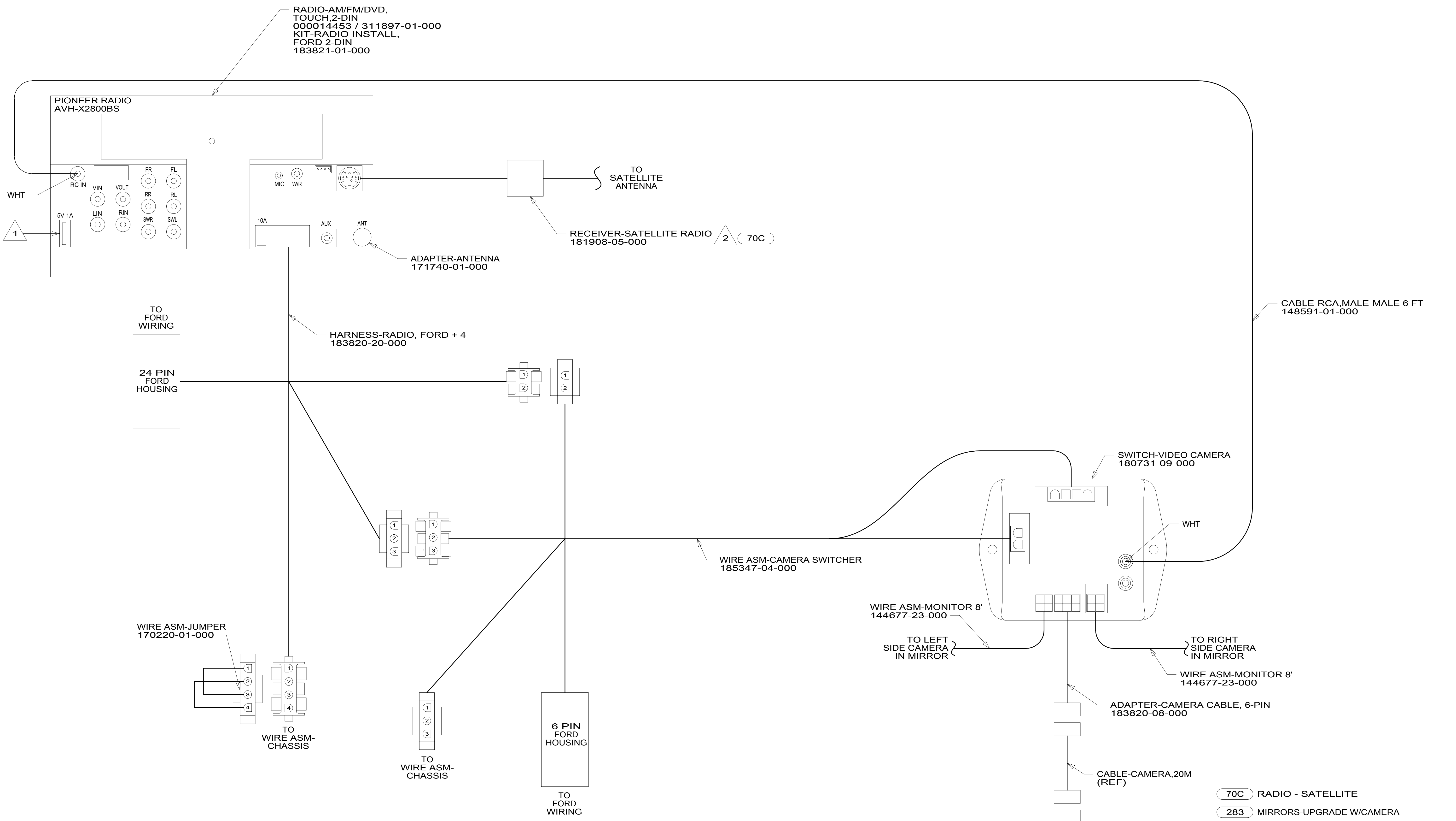
FOR ELECTRICAL TORQUE SPECIFICATIONS SEE DWG NO. 128783-01-000

FOR ELECTRICAL CALLOUTS SEE DWG NO. 121339-01-000

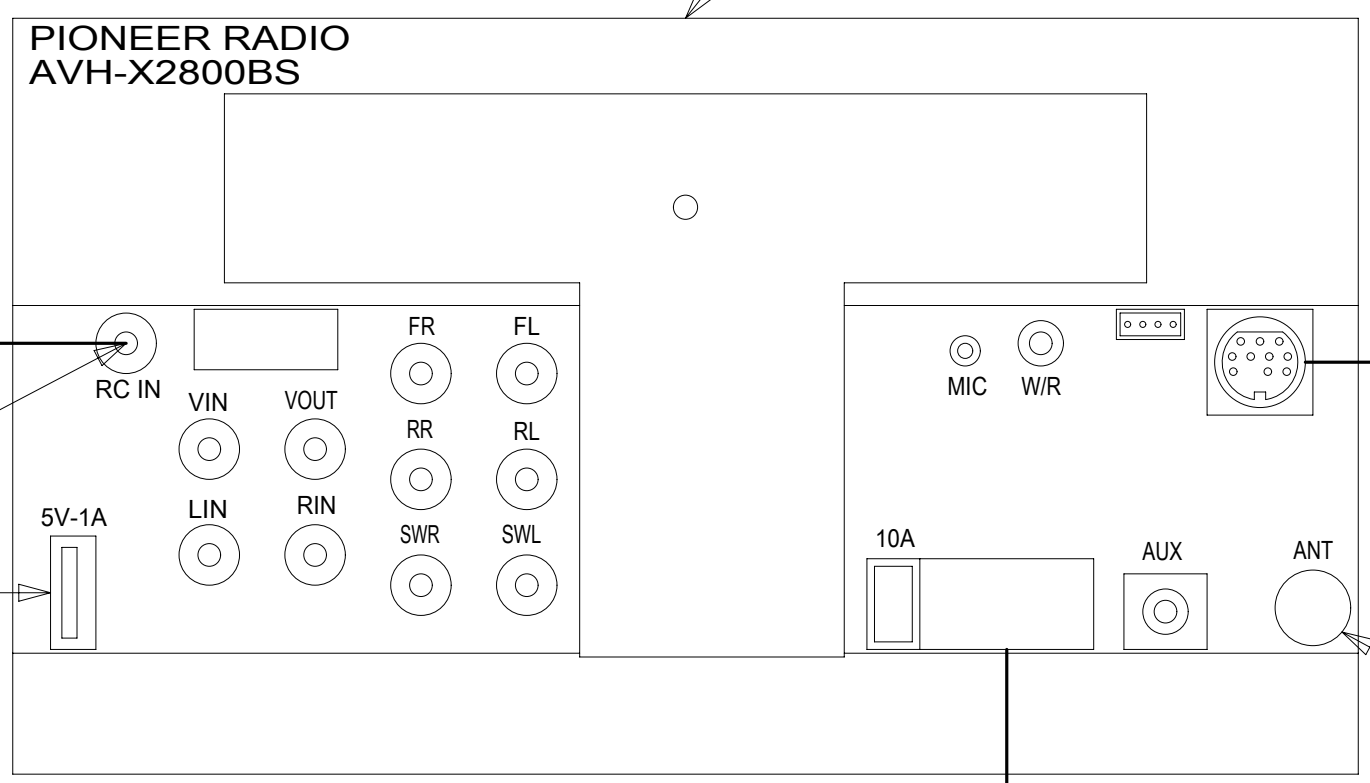
- 644 GREAT ALASKAN RENTAL PACKAGE
- 643 RENTAL-MILES DIXON
- 70C RADIO - SATELLITE
- 28N MIRRORS-EXTERIOR
- 38E CONVENIENCE PACKAGE
- 265 CODES/STANDARDS-CSA/CMVSS
- 1B1 CODES/STANDARDS USA

DESCRIPTION: RADIO/MONITOR INSTL		
SHEET: 3 OF 5	ITEM/PART NO.: 000208694 / 30074001000	REV

8 7 6 5 4 3 2 1

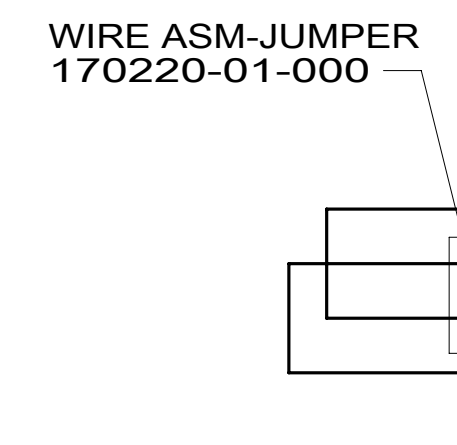
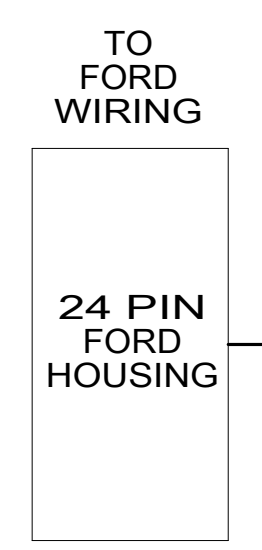


RADIO-AM/FM/DVD,
TOUCH,2-DIN
000014453 / 311897-01-000
KIT-RADIO INSTALL,
FORD 2-DIN
183821-01-000



1

2 70C



TO WIRE ASM-CHASSIS

TO WIRE ASM-CHASSIS

6 PIN FORD HOUSING

TO FORD WIRING

WIRE ASM-MONITOR 8' 144677-23-000

TO LEFT SIDE CAMERA IN MIRROR

WIRE ASM-MONITOR 8' 144677-23-000

TO RIGHT SIDE CAMERA IN MIRROR

ADAPTER-CAMERA CABLE, 6-PIN 183820-08-000

CABLE-CAMERA,20M (REF)

TO REAR CAMERA

2 WIRE TIE TO RADIO WIRING.

1 PLUG USB CABLE SUPPLIED WITH RADIO INTO LEAD ON BACK OF RADIO MARKED 'USB'. ROUTE CABLE TO THE LEFT OF RADIO. WIRE TIE EXCESS CABLE UNDER DASH IN THE AREA LEFT OF THE RADIO. LEAVE 200 MM OF CABLE IN THE MOTOR COVER BEVERAGE TRAY. MAKE SURE CABLE DOES NOT GET PINCHED BY MOTOR COVER.

NOTES:

FOR ELECTRICAL TORQUE SPECIFICATIONS SEE DWG NO. 128783-01-000

FOR ELECTRICAL CALLOUTS SEE DWG NO. 121339-01-000

- 70C RADIO - SATELLITE
- 283 MIRRORS-UPGRADE W/CAMERA
- 38E CONVENIENCE PACKAGE
- 265 CODES/STANDARDS-CSA/CMVSS
- 1B1 CODES/STANDARDS USA

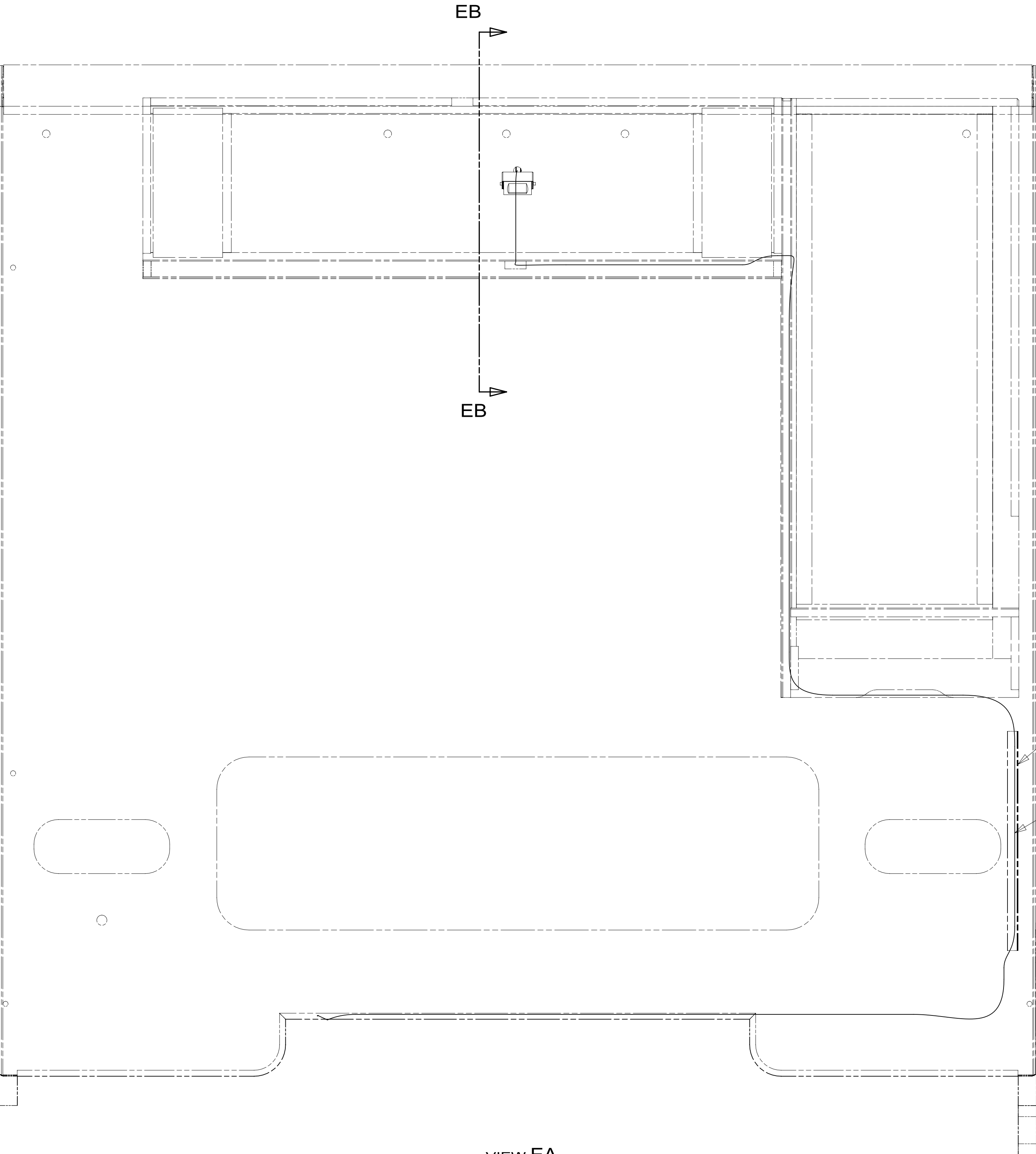
1B1 265 38E 283

DESCRIPTION: RADIO/MONITOR INSTL

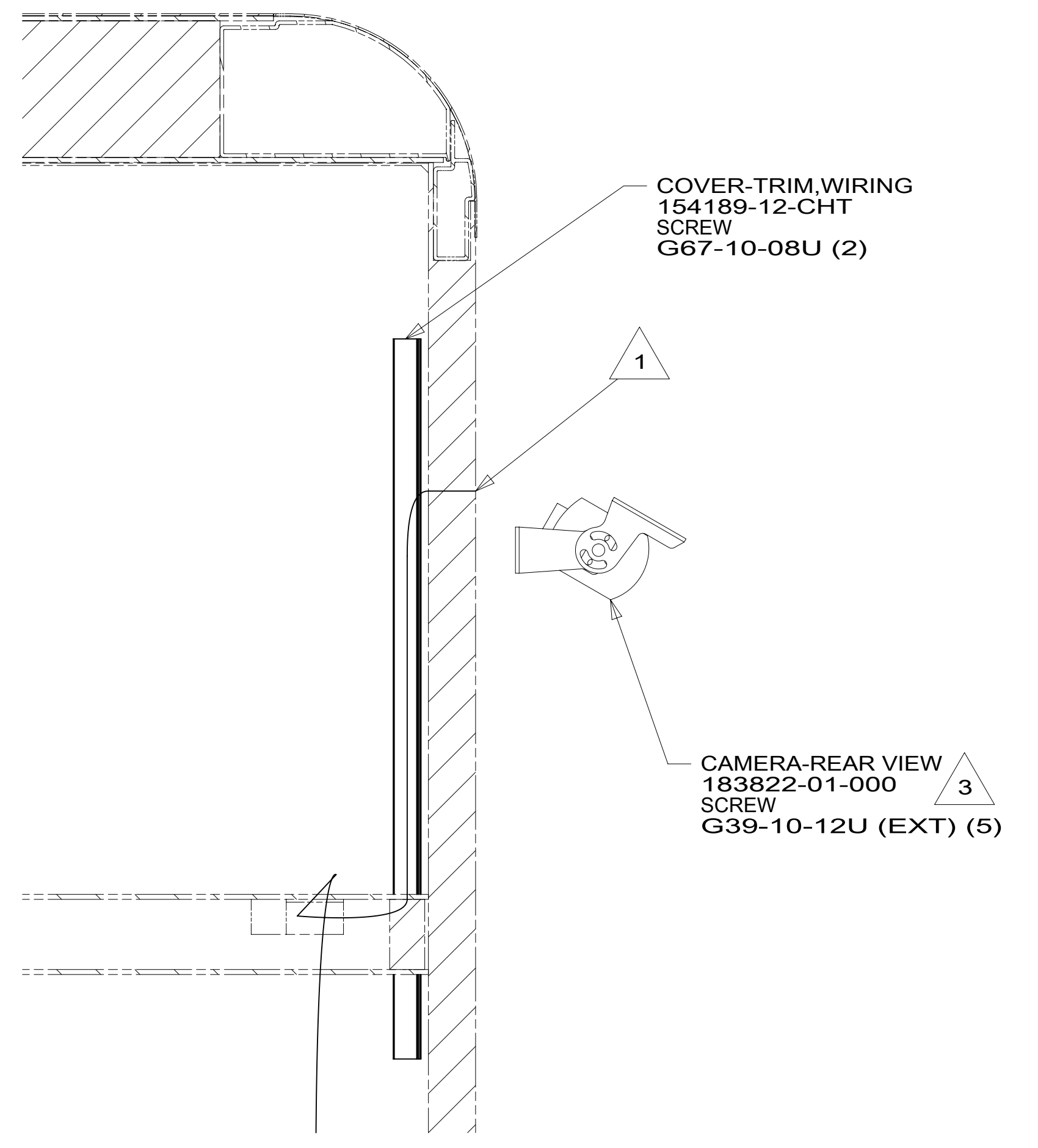
SHEET: 4 OF 5 ITEM/PART NO: 000208694 / 30074001000 REV

8 7 6 5 4 3 2 1 20-Sep-2016

8 7 6 5 4 3 2 1



VIEW EA



SECTION EB-EB 38E 643

WIRE COVER (REF) 4

CABLE-MONITOR/CAMERA (REF) 2

COVER-TRIM,WIRING
154189-12-CHT
SCREW
G67-10-08U (2)

CAMERA-REAR VIEW
183822-01-000
SCREW
G39-10-12U (EXT) (5)

- NOTES:
- 4 SEE WIRING INSTL-BODY,12V FOR ADDITIONAL INFORMATION.
 - 3 ADJUST CAMERA AFTER MOUNTING SO BACKWALL IS JUST VISIBLE ON BOTTOM OF THE SCREEN.
 - 2 REAR MONITOR CABLE IS PART OF THE WIRE ASM-CHASSIS.
 - 1 CABLE ROUTED THRU BACKWALL.

FOR ELECTRICAL
TORQUE
SPECIFICATIONS
SEE DWG NO.
128783-01-000

FOR ELECTRICAL
CALLOUTS
SEE DWG NO.
121339-01-000

- 643 RENTAL-MILES DIXON
- 38E CONVENIENCE PACKAGE
- 265 CODES/STANDARDS-CSA/CMVSS
- 1B1 CODES/STANDARDS USA

DESCRIPTION: RADIO/MONITOR INSTL		REV
SHEET: 5 OF 5	ITEM/PART NO: 000208694 / 30074001000	

8 7 6 5 4 3 2 1 20-Sep-2016