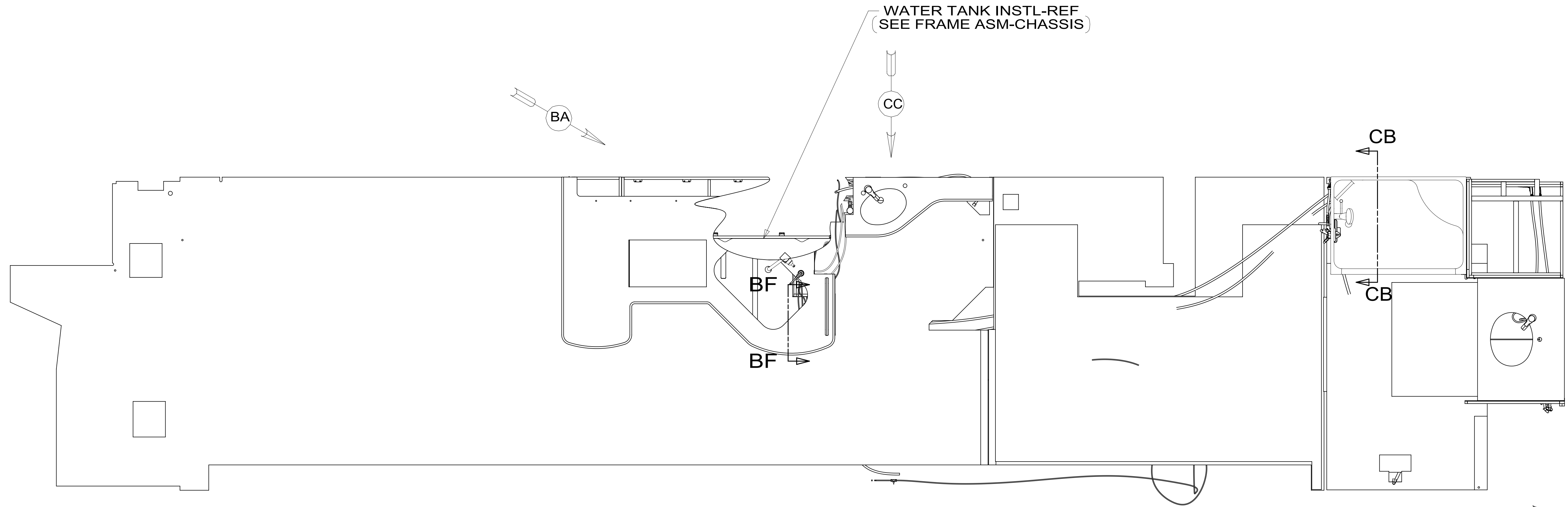


REV	ZONE	REVISION RECORD	DATE	DFTR-ORIG
A	---	INITIAL RELEASE	11/05/15	3650
B	---	UPDATED MODEL. FIXED OUT OF POSITIONS TUBES	03/15/16	3650-2314
C	---	---	---	---
D	---	REPL. FLTRER SHT2	1-17-17	1600-2747



13 FOR INSTALLATION USE SILICON-ADHESIVE 131264-05-CHT. APPLY ON TOP OF PLATE, PLACE COVER ON, AND PUT ADHESIVE AROUND COVER.

12 INSTALL FAUCET WITHOUT BASEPLATE.

11. REQUIRES 5 GALLONS OF 182955-01-000 ANTIFREEZE FOR WINTERIZATION.

10 VALVE MUST REMAIN OPEN AFTER WATER TEST.

9. FLUSHING SYSTEM REQUIRES 125697-06-000 INSTRUCTION SHEET.

8. ALL CRIMP FITTINGS TO PEX TUBING REQUIRE 1/2" CLAMP 140171-03-000.

7. ALL CRIMP FITTINGS TO PEX TUBING REQUIRE 5/8" CLAMP 140171-04-000.

6 LABEL HOT AND COLD SUPPLY TUBES AND TAPE FITTING TO TUBE BEFORE CABINET SET TO PREVENT MOVEMENT.

5 ADD PIPE WRAP (LADDER SCRAP 110157-02-000) INSULATION.

4 ADD TEFLON TAPE 010405-02-000.

3. ALL TUBING TO BE SECURED AT 1200 INTERVALS MAXIMUM WITH CLAMP 010495-01-000 AND SCREW 000G67-10-12U OR EQUIVALENT.

2. TUBING TO BE INSTALLED WITH SUFFICIENT SLOPE TO PROVIDE DRAINAGE TO NEAREST VALVE.

1. PLASTIC FITTINGS TO BE SEALED WITH SEALANT 084456-01-000.

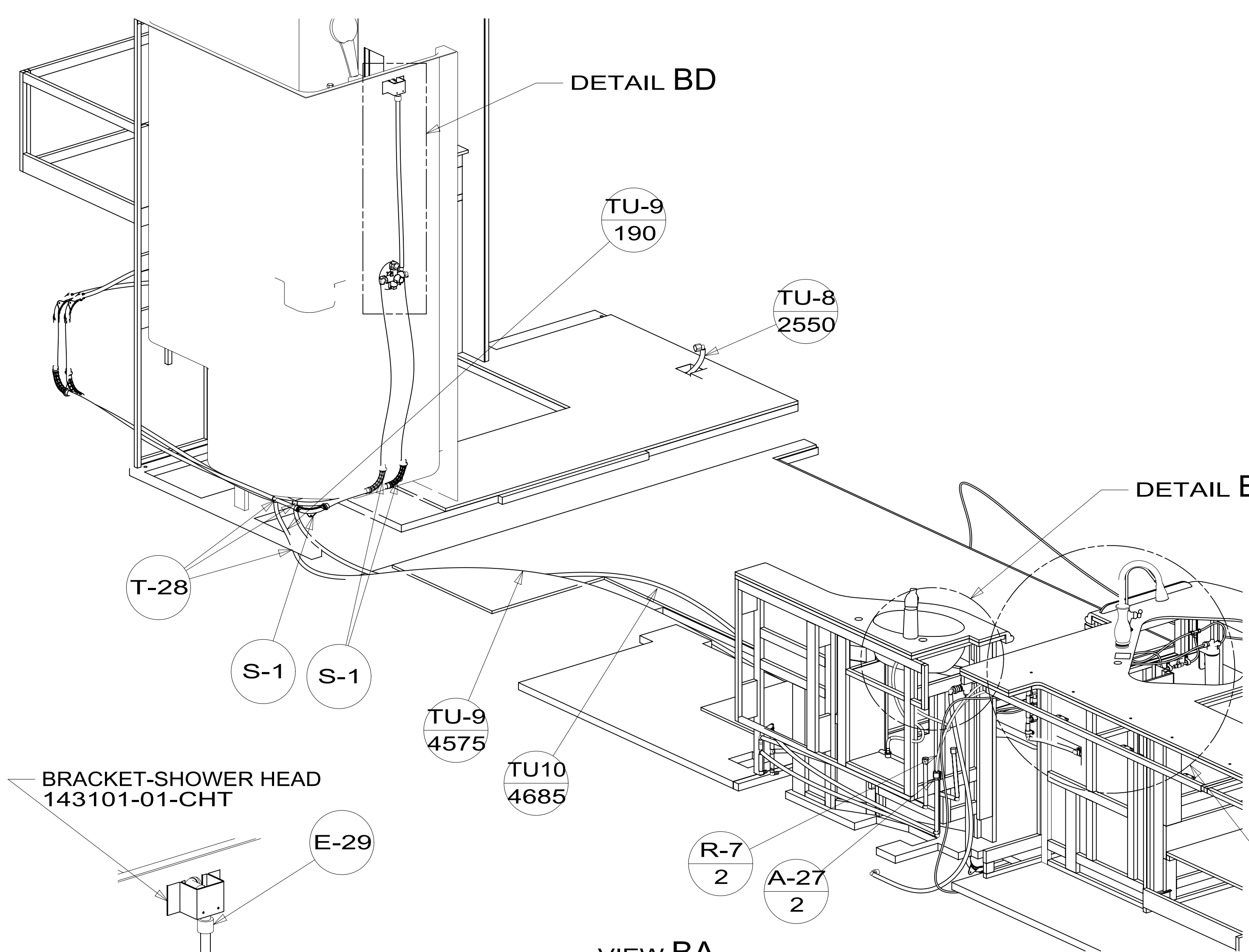
NOTES:

- 21S WASHER & DRYER-PAIR
- 214 DISHWASHER-DRAWER STYLE
- 9PC TAILGATE PACKAGE
- 505 HOSE REEL-WATER,POWERED

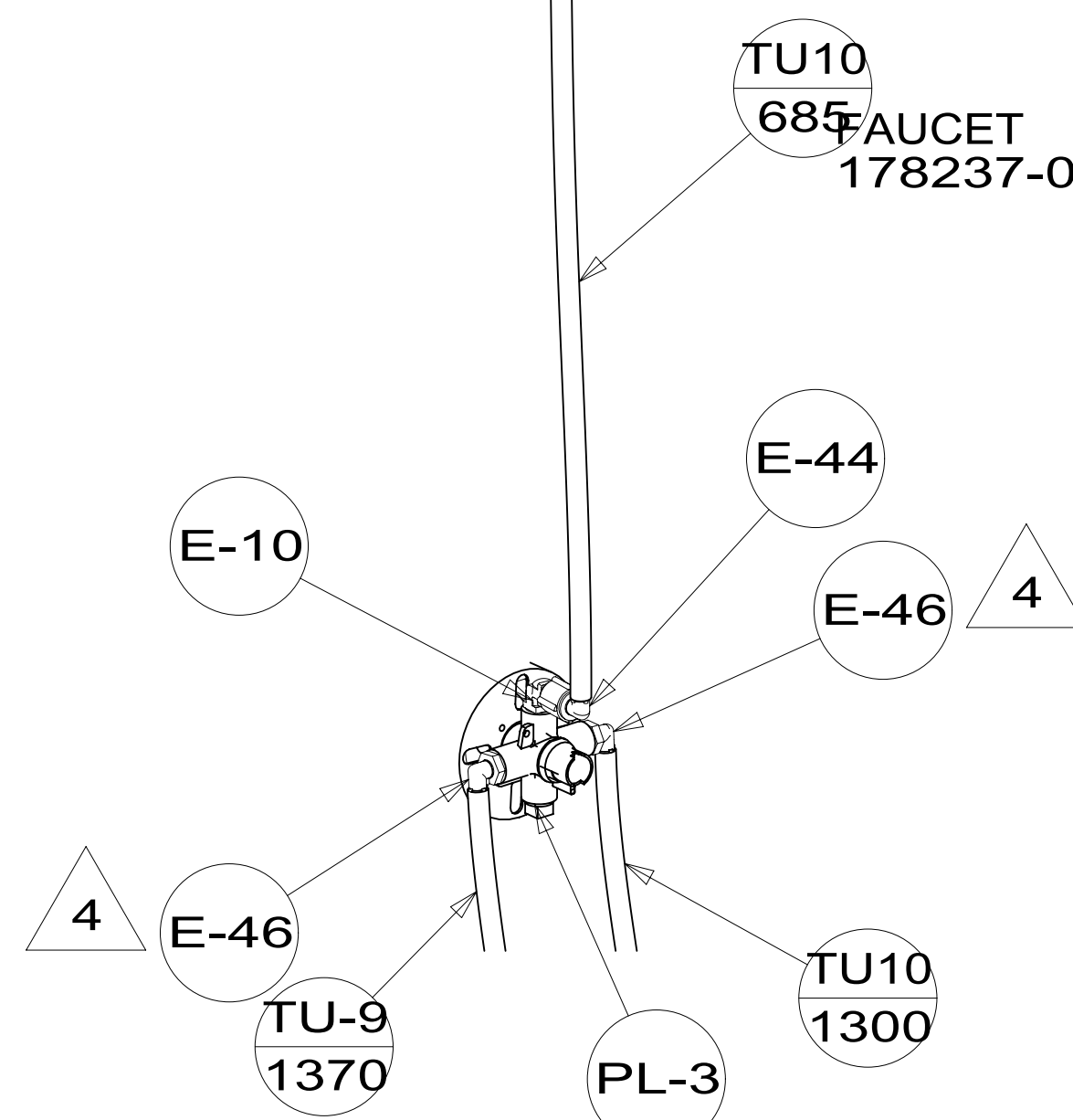


DSNR:		ALL DIMENSIONS ARE IN MILLIMETERS	
DFTR:		MATERIAL:	
UNSPECIFIED TOLERANCES:			
WHOLE DIM (X)	3		
ONE-PLACE (X.X)	1.5		
TWO-PLACE (X.XX)	0.50		
ANGLE	1°		
REFER TO ES0018 FOR FASTENER TIGHTENING GUIDELINES		WEIGHT: (LBS)	FIRST USED: (REF)
			16 R42QD
DESCRIPTION:			
WATER SYSTEM INSTL			
SHEET:	ITEM/PART NO:	REV	
1 OF 4	000208282 / 30009401000		
REF:		1 01-Feb-2017	

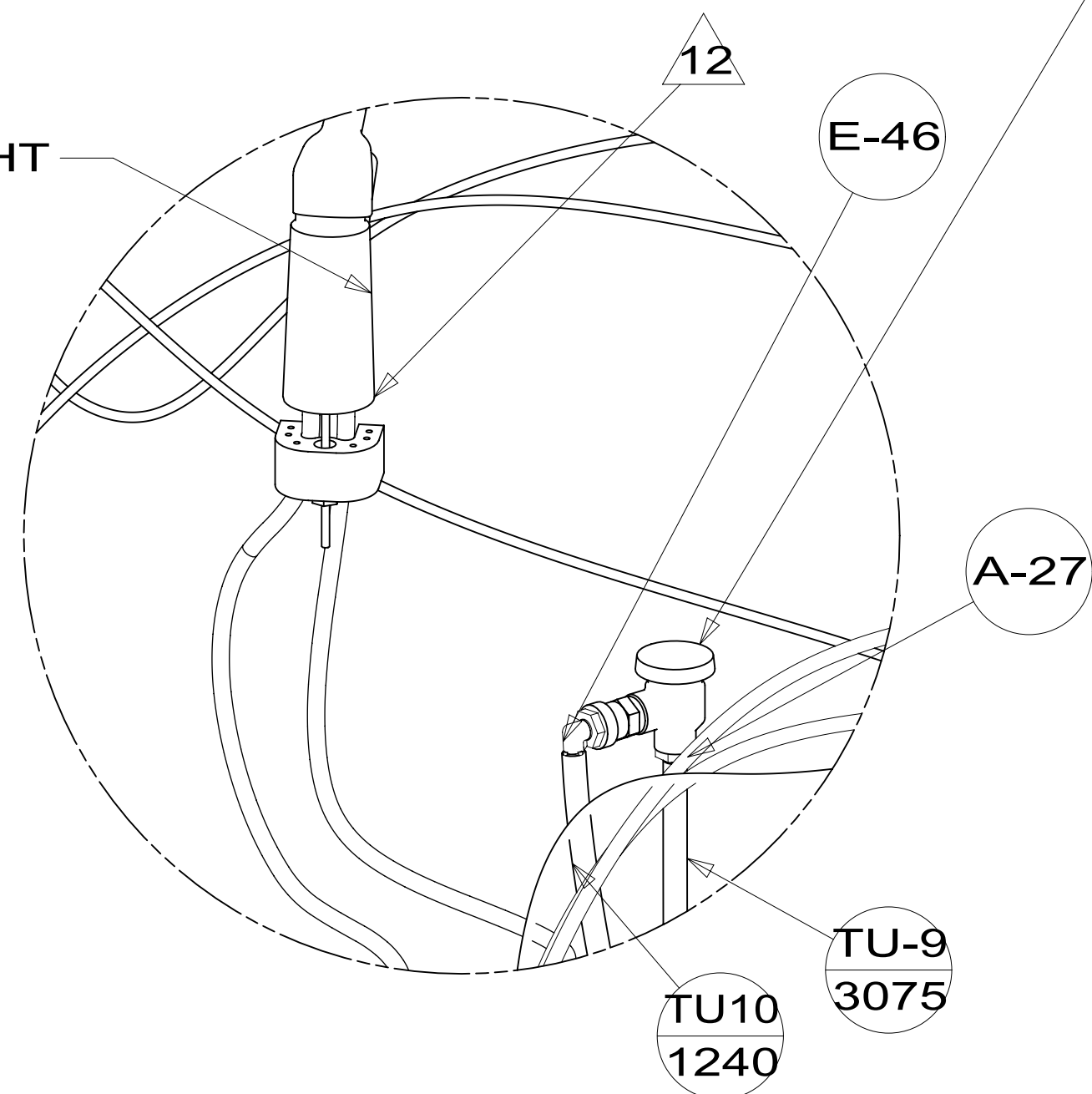
X-X
FOR WATER CALLOUTS SEE DWG NO. 000209446 / 303369-01-000



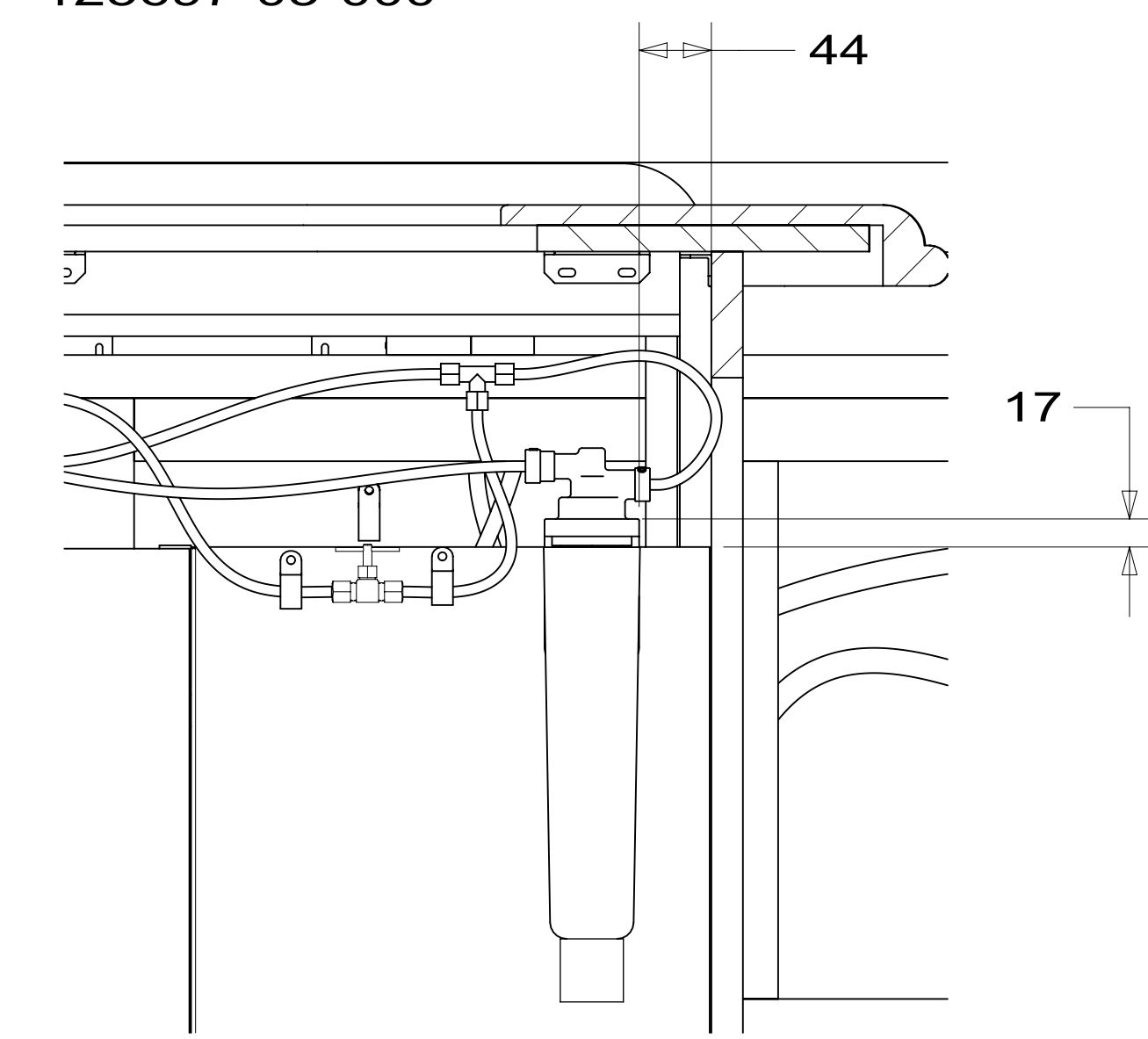
VIEW BA



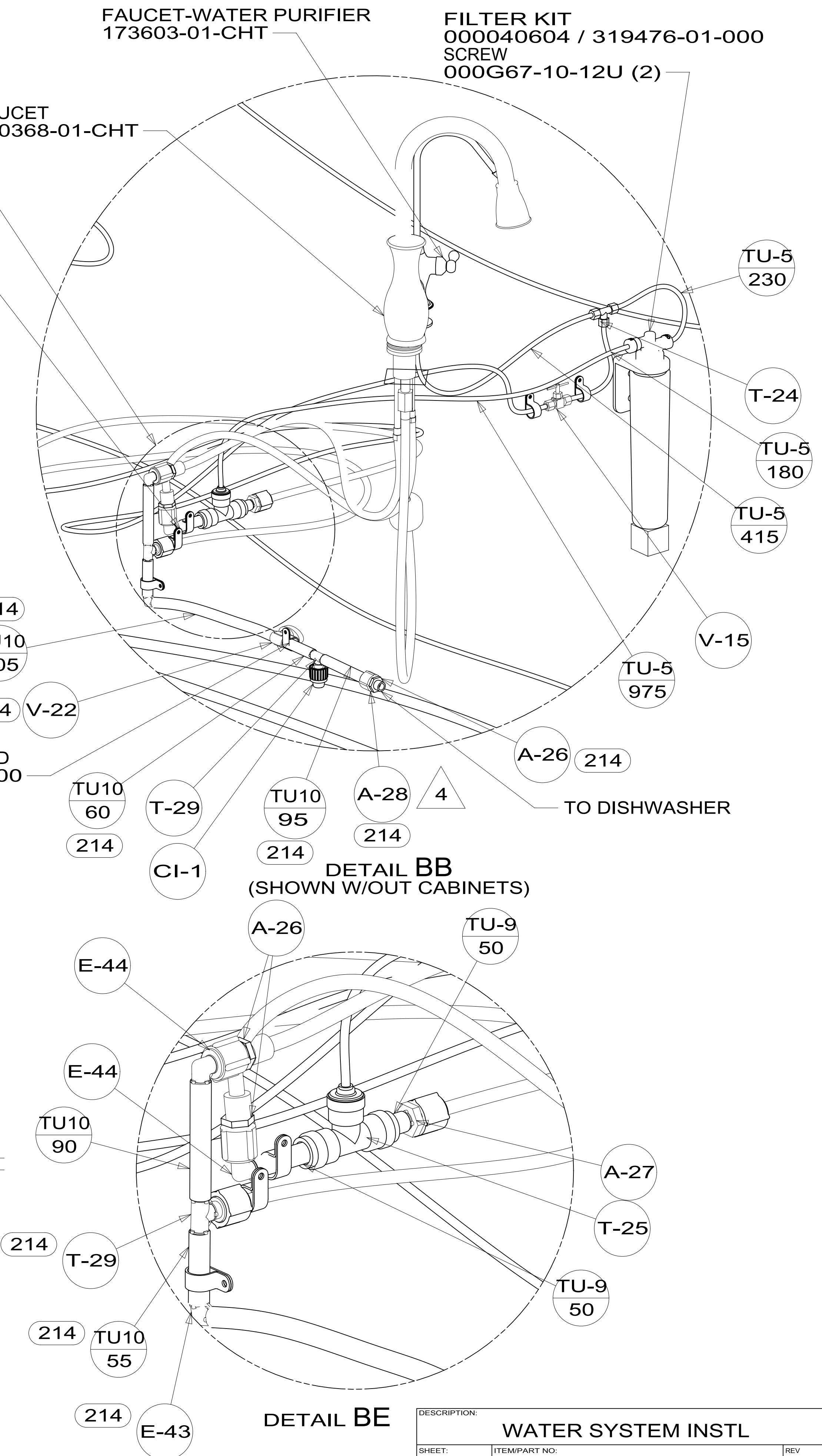
DETAIL BD (SHOWN W/OUT CABINETS)



DETAIL BC (SHOWN W/OUT CABINETS)



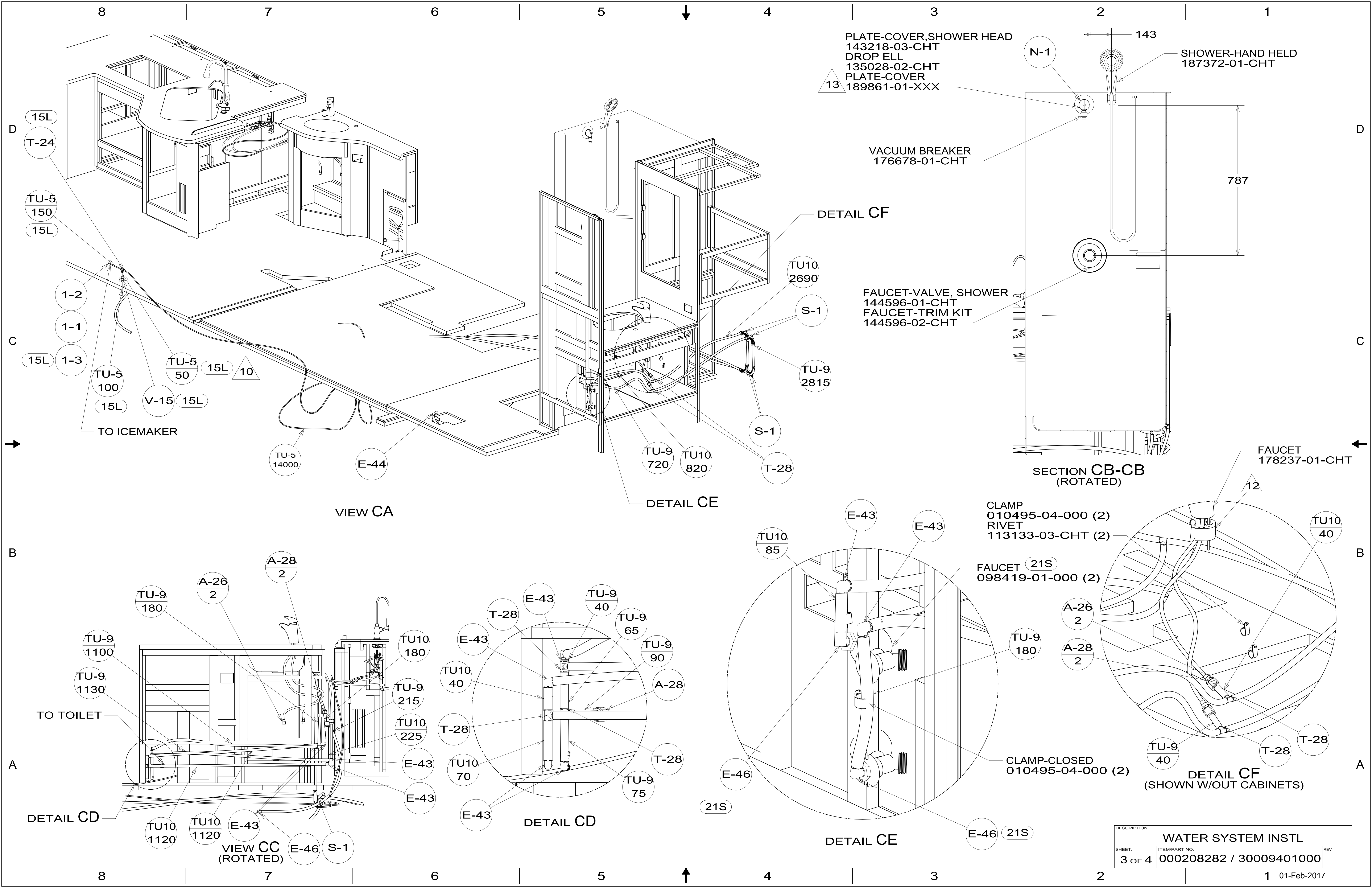
SECTION BF-BF



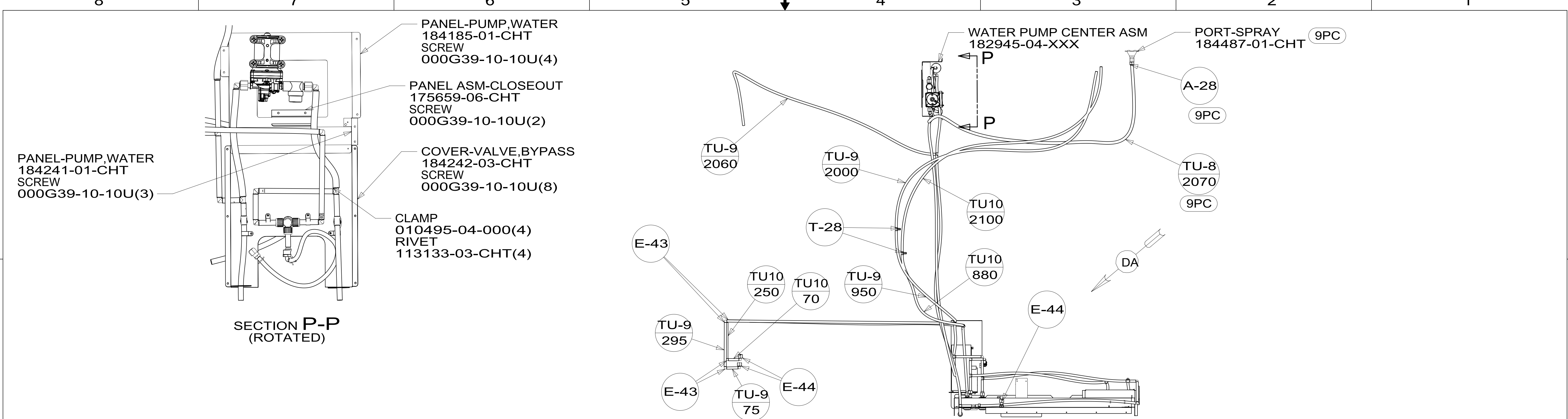
DETAIL BB (SHOWN W/OUT CABINETS)

DETAIL BE

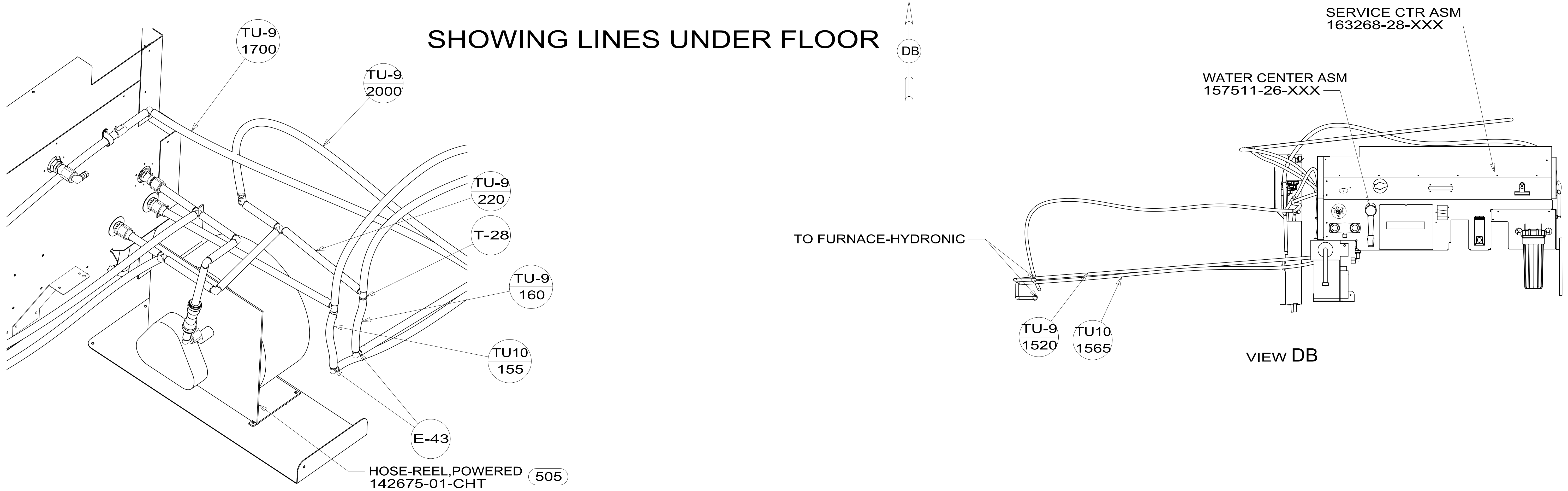
DESCRIPTION:		
WATER SYSTEM INSTL		
SHEET:	ITEM/PART NO.:	REV
2 OF 4	000208282 / 30009401000	



DESCRIPTION:		
WATER SYSTEM INSTL		
SHEET:	ITEM/PART NO.:	REV
3 OF 4	000208282 / 30009401000	



SHOWING LINES UNDER FLOOR



DESCRIPTION:		
WATER SYSTEM INSTL		
SHEET:	ITEM/PART NO:	REV
4 OF 4	000208282 / 30009401000	