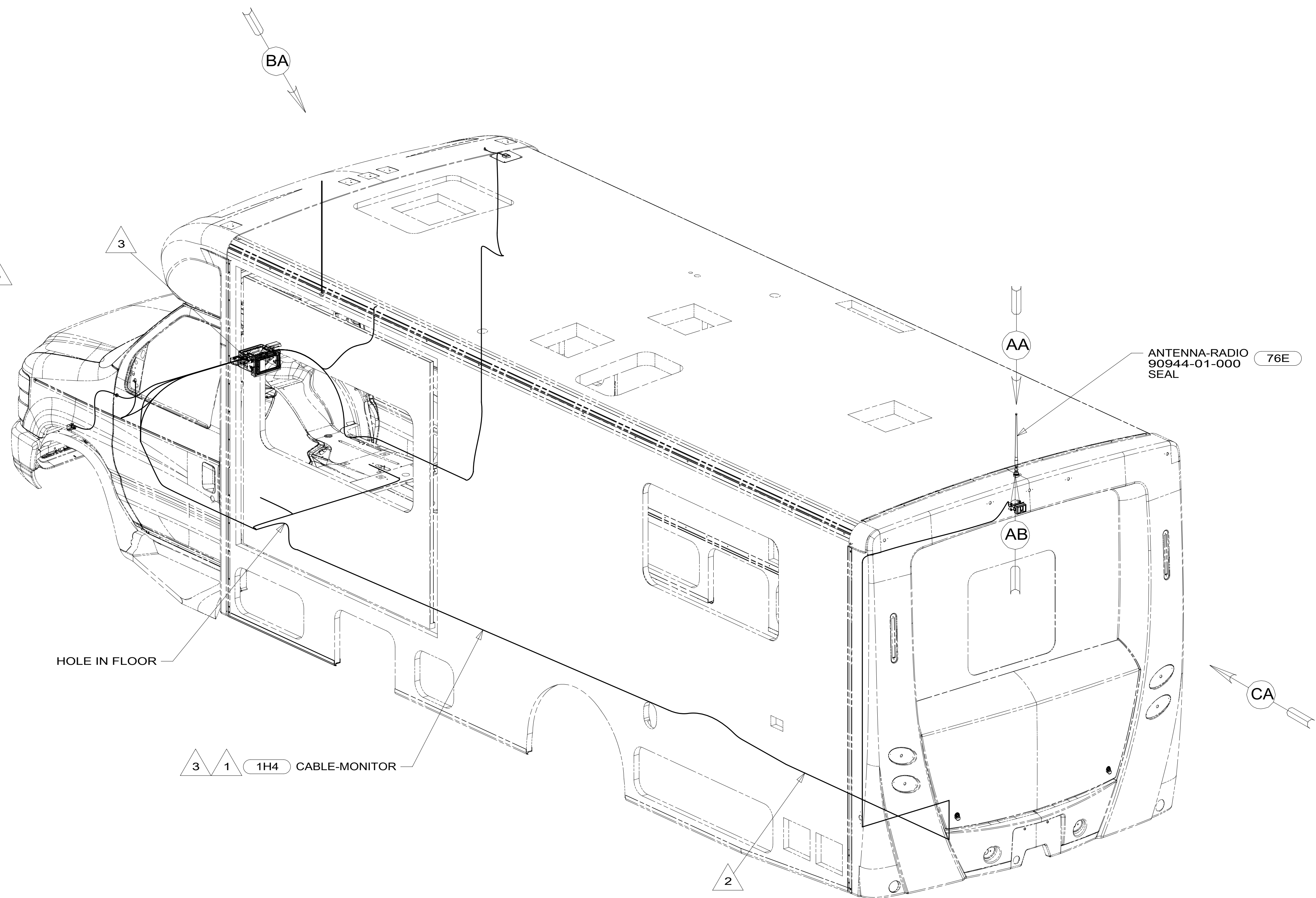
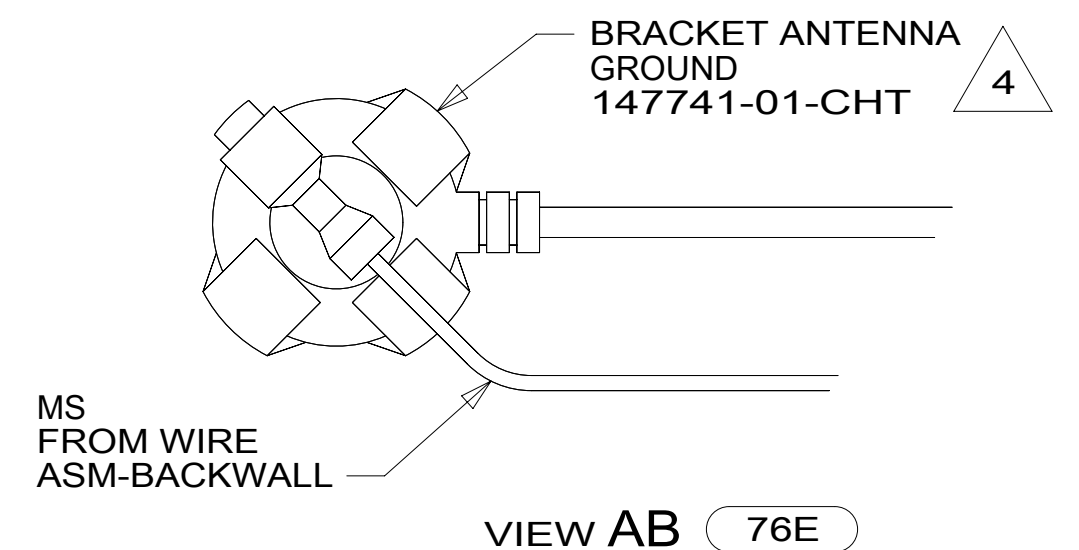


VIEW AA  
(ANTENNA NOT SHOWN) 76E



- NOTES:
- 5 DRILL 13MM HOLE AT LOCATION SHOWN.
  - 4 WRAP BRACKET LEGS AROUND ANTENNA BASE.
  - 3 ROUTE CABLE TO DASH RADIO.
  - 2 WIRING IS ROUTED DIFFERENTLY FOR EACH UNIT FROM THIS POINT REARWARD.
  - 1 ROUTE REAR MONITOR CAMERA CABLE WITH WIRE ASM-CHASSIS WHICH RUNS ALONG LEFT FRAME RAIL.



VIEW AB 76E

- 76E EXT ENTERTAINMENT SYSTEM
- 1H4 REARVIEW MONITOR-WIRE PREP
- 265 CODES/STANDARDS-CSA/CMVSS
- 1B1 CODES/STANDARDS USA

**WINNEBAGO**  
COPYRIGHT 2016 WINNEBAGO INDUSTRIES, INC.

DSNR:		ALL DIMENSIONS ARE IN MILLIMETERS	
DfTR:		MATERIAL:	
UNSPECIFIED TOLERANCES:			
WHOLE DIM (X)	3		
ONE-PLACE (X.X)	1.5		
TWO-PLACE (X.XX)	0.50		
ANGLE	1°		
REFER TO ES0018 FOR FASTENER TIGHTENING GUIDELINES	WEIGHT: (LBS)	FIRST USED:	
DESCRIPTION: <b>RADIO/MONITOR INSTL</b>			
SHEET: 1 OF 6	ITEM/PART NO: 000201032 / 30146301000	REV:	

FOR ELECTRICAL TORQUE SPECIFICATIONS SEE DWG NO. 128783-01-000

FOR ELECTRICAL CALLOUTS SEE DWG NO. 121339-01-000

ANTENNA-SATELLITE RADIO  
181908-02-000  
PLATE-SATELLITE RADIO  
177256-03-CHT  
SCREW  
G11-08-08U (4)  
SEAL

70C  
OR  
15D

1 ANTENNA-RADIO

WIRE ASM-MONITOR 15'  
(REF)

RADIO-INFOTAINMENT,6",GPS  
190062-01-000  
REMOTE-NAVIGATION/RADIO  
176654-04-000  
KIT-RADIO INSTALL, FORD  
183821-05-000  
RADIO-AM/FM/DVD, TOUCH, 2-DIN  
000014453 / 311897-01-000  
KIT-RADIO INSTALL, FORD 2DIN  
183821-01-000

WIRE ASM-MONITOR 15'  
(REF)

SWITCH-VIDEO CAMERA  
180731-01-000  
SWITCH-VIDEO CAMERA  
180731-09-000

GROMMET  
071015-43-000

SENSOR-TEMPERATURE  
176654-13-000  
BRACKET-ZEE,TEMP SENSOR  
147428-01-CHT  
SCREW  
G39-08-12U (2)

- 8 DRILL 13 MM HOLE AND RUN WIRE THROUGH GROMMET AND HOLE. INSERT GROMMET INTO HOLE AND RUN WIRE TO BACK OF RADIO AND CONNECT TO RADIO.
- 7 USE SCREWS SUPPLIED W/RADIO TO ATTACH RADIO TO MOUNTING KIT, 3 EACH SIDE.
- 6 ROUTE ANTENNA CABLE FROM UNDER PASSENGER'S SEAT UP B-POST, INTO WINGWALL, UP THROUGH ENTERTAINMENT CENTER BEHIND SPEAKER, ROUTE CABLE THROUGH ROUTED PATH IN ROOF ASM.
- 5 USE SPACERS (4) PROVIDED WITH RADIO MOUNTING BRACKET AT 4 DASH MOUNT POINTS.
- 4 MOUNT ANTENNA SUCH THAT BASE IS SQUARE WITH ROOF AND HOLE IS DIRECTLY OVER HOLE IN ROOF. SEAL BOTH THE HOLE IN THE ROOF AND ANTENNA BASE AT SCREWS.
- 3 RECEIVER CABLE SUPPLIED WITH RECEIVER.
- 2 ROUTE RECEIVER CABLE ALONG WITH CHASSIS HARNESS TO BATTERY BOOST SWITCH, CONTINUE RECEIVER CABLE TO DASH RADIO.
- 1 SUPPLIED WITH CHASSIS. USE SHORTEST ANTENNA.

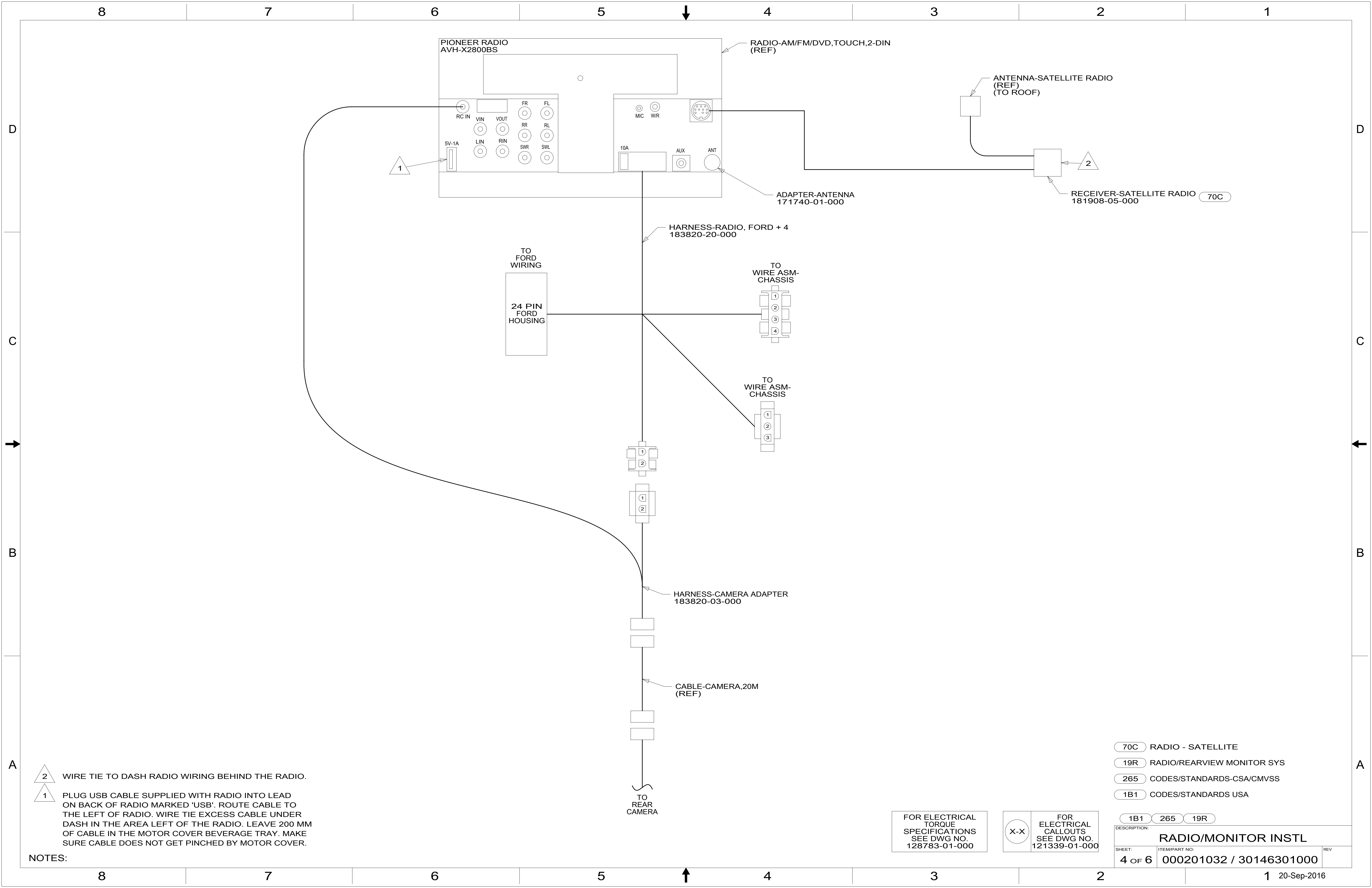
VIEW BA

FOR ELECTRICAL  
TORQUE  
SPECIFICATIONS  
SEE DWG NO.  
128783-01-000

FOR ELECTRICAL  
CALLOUTS  
SEE DWG NO.  
121339-01-000

- 70C RADIO - SATELLITE
- 15D INFOTAINMENT CENTER/GPS
- 74C VIDEO CAMERA SYSTEM
- 19R RADIO/REARVIEW MONITOR SYS
- 265 CODES/STANDARDS-CSA/CMVSS
- 1B1 CODES/STANDARDS USA

DESCRIPTION:		1B1 265	
<b>RADIO/MONITOR INSTL</b>			
SHEET:	ITEM/PART NO.:	REV	
2 OF 6	000201032 / 30146301000		



**NOTES:**

2 WIRE TIE TO DASH RADIO WIRING BEHIND THE RADIO.

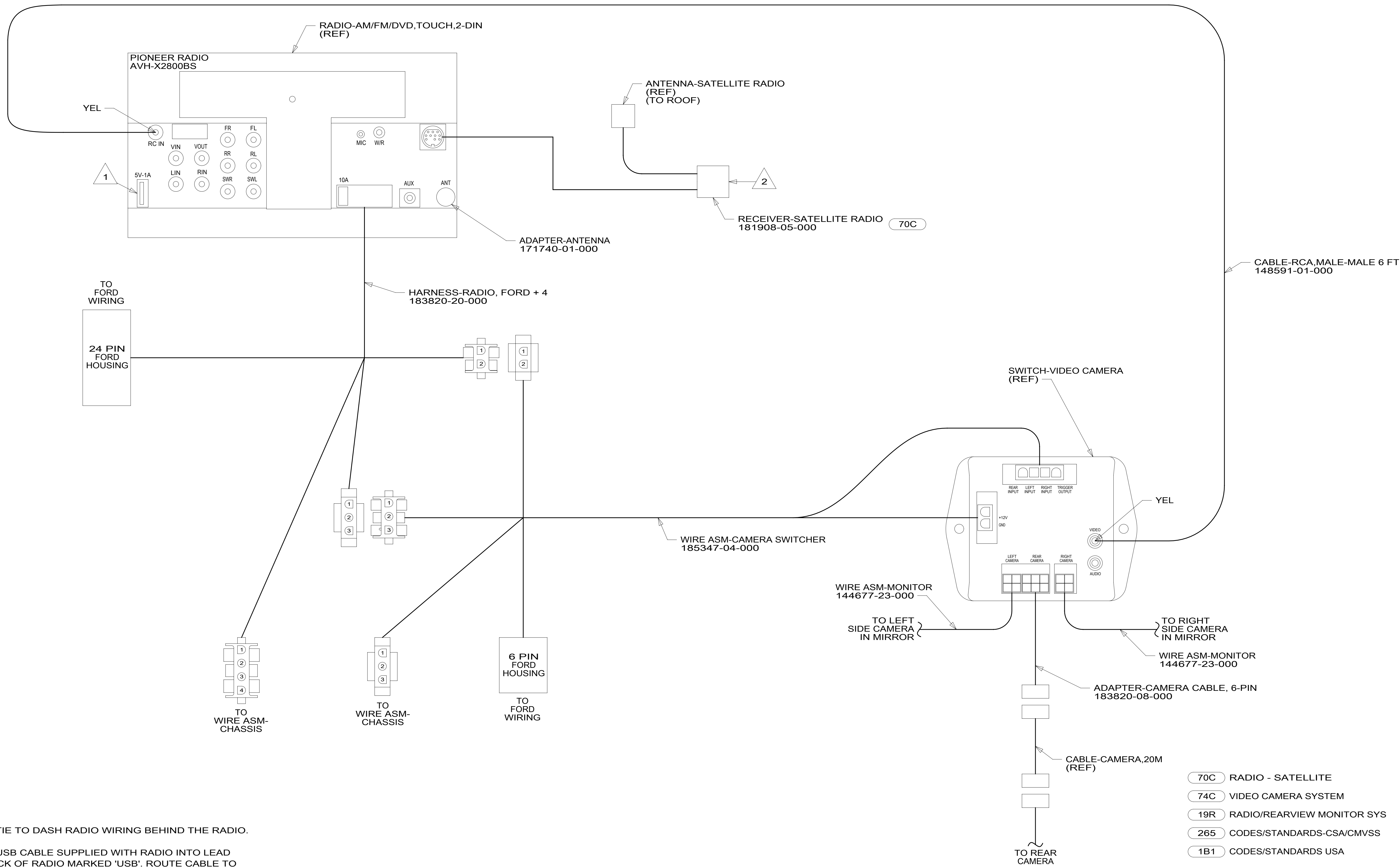
1 PLUG USB CABLE SUPPLIED WITH RADIO INTO LEAD ON BACK OF RADIO MARKED 'USB'. ROUTE CABLE TO THE LEFT OF RADIO. WIRE TIE EXCESS CABLE UNDER DASH IN THE AREA LEFT OF THE RADIO. LEAVE 200 MM OF CABLE IN THE MOTOR COVER BEVERAGE TRAY. MAKE SURE CABLE DOES NOT GET PINCHED BY MOTOR COVER.

FOR ELECTRICAL TORQUE SPECIFICATIONS SEE DWG NO. 128783-01-000

FOR ELECTRICAL CALLOUTS SEE DWG NO. 121339-01-000

- 70C RADIO - SATELLITE
- 19R RADIO/REARVIEW MONITOR SYS
- 265 CODES/STANDARDS-CSA/CMVSS
- 1B1 CODES/STANDARDS USA

DESCRIPTION: <b>RADIO/MONITOR INSTL</b>		
SHEET: <b>4 OF 6</b>	ITEM/PART NO.: <b>000201032 / 30146301000</b>	REV



D  
C  
B  
A

D  
C  
B  
A

NOTES:

2 WIRE TIE TO DASH RADIO WIRING BEHIND THE RADIO.

1 PLUG USB CABLE SUPPLIED WITH RADIO INTO LEAD ON BACK OF RADIO MARKED 'USB'. ROUTE CABLE TO THE LEFT OF RADIO. WIRE TIE EXCESS CABLE UNDER DASH IN THE AREA LEFT OF THE RADIO. LEAVE 200 MM OF CABLE IN THE MOTOR COVER BEVERAGE TRAY. MAKE SURE CABLE DOES NOT GET PINCHED BY MOTOR COVER.

FOR ELECTRICAL TORQUE SPECIFICATIONS SEE DWG NO. 128783-01-000

X-X

FOR ELECTRICAL CALLOUTS SEE DWG NO. 121339-01-000

- 70C RADIO - SATELLITE
- 74C VIDEO CAMERA SYSTEM
- 19R RADIO/REARVIEW MONITOR SYS
- 265 CODES/STANDARDS-CSA/CMVSS
- 1B1 CODES/STANDARDS USA

DESCRIPTION: <b>RADIO/MONITOR INSTL</b>		
SHEET: 5 OF 6	ITEM/PART NO: 000201032 / 30146301000	REV