

- 9. SEE DRAWING 061607 FOR INSTALLATION OF GROMMETS.
- 8. SECURE DRAINAGE PIPES TO CABINET USING WIRE TIE 108046-02-000, AND SCREW 000G67-10-12U AT INTERVALS OF NOT OF NOT MORE THAN 4 FEET APART.
- 7. SECURE VENT PIPE TO GROMMET WITH CLAMP 062401-02-000.
- 6. VENT PIPE MUST PROJECT 51 MIN AND 64 MAX ABOVE ROOF FOR PROPER FIT AND FUNCTION. ADD S-1 (116666-01-CHT SEAL-VENT PIPE) AROUND PIPE ON ROOF BEFORE VENT CAP IS INSTALLED.
- 5. SEAL AROUND SHOWER WITH SILICONE.
- 4. USE SMOOTH PLUMBERS PUTTY 167459-01-000 TO SEAL STRAINER (0.2 PER STRAINER).
- 3. ALL PIPE AND FITTINGS TO BE ASSEMBLED WITH SOLVENT 004020-01-000 (USA), 004020-02-000 (CAN)
- 2. SLOPE OF TRAP ARM MUST BE 6 PER 305 mm.
- 1. SLOPE OF HORIZONTAL PIPING TO BE MINIMUM OF 3 PER 305 mm.

- 21M WASHER/DRYER PREP
- 21S WASHER & DRYER-PAIR
- 1B1 CODES/STANDARDS USA
- 265 CODES/STANDARDS-CSA/CMVSS



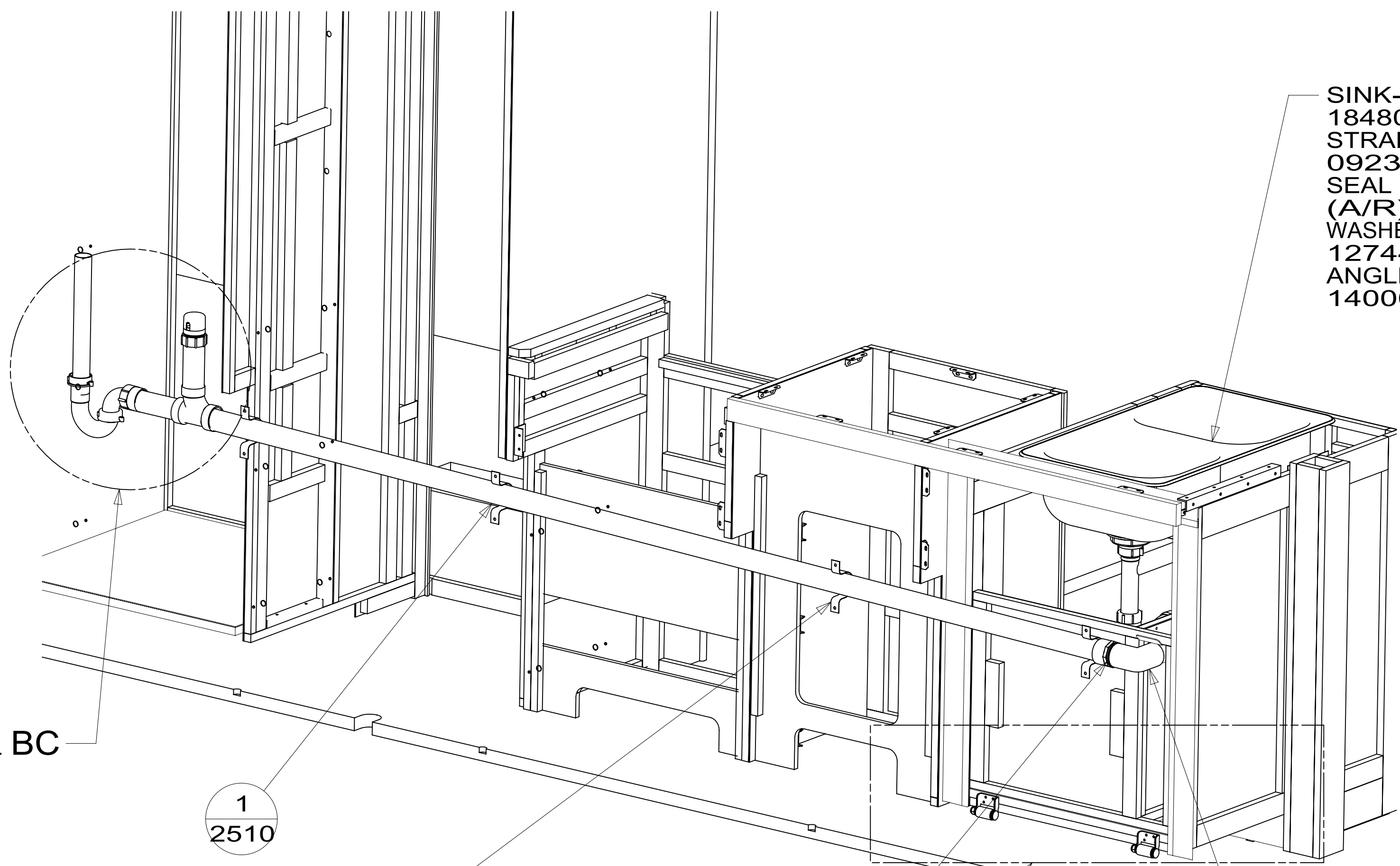
DSNR:		ALL DIMENSIONS ARE IN MILLIMETERS	
DIFFR:		MATERIAL:	
UNSPECIFIED TOLERANCES:			
WHOLE DIM (X)	3		
ONE-PLACE (X.X)	1.5		
TWO-PLACE (X.XX)	0.50		
ANGLE	1°		
REFER TO ES0018 FOR FASTENER TIGHTENING GUIDELINES		WEIGHT: (LBS)	FIRST USED: (REF)
DESCRIPTION: <b>DRAINAGE SYSTEM INSTL</b>			
SHEET:	ITEM/PART NO:	REV	
1 OF 5	000201011 / 30134301000		

X-X  
FOR DRAINAGE CALLOUTS SEE DWG NO. 116229-01-000

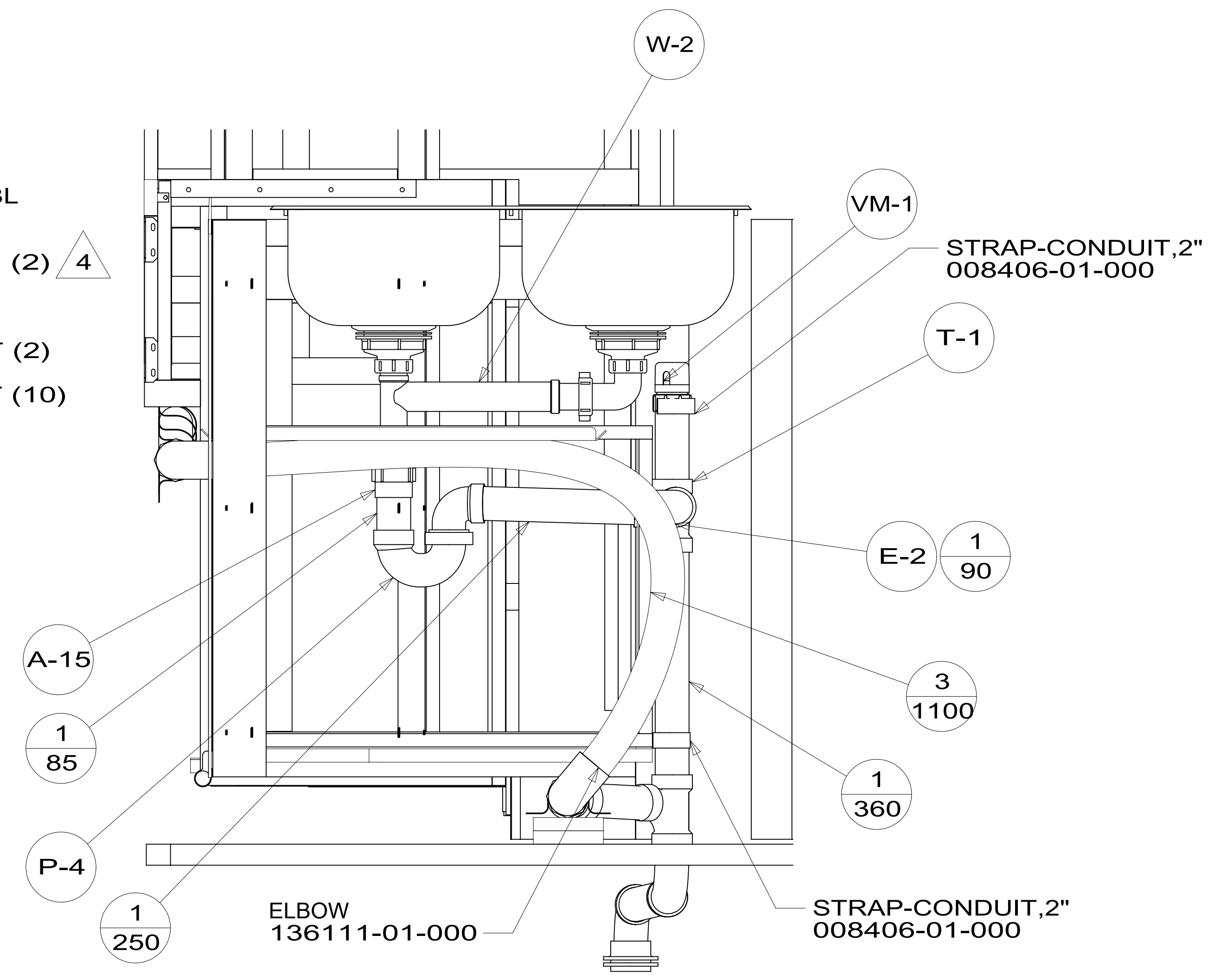
8 7 6 5 4 3 2 1

D  
C  
B  
A

D  
C  
B  
A



SINK-GALLEY, DBL  
184806-01-CHT  
STRAINER  
092303-01-000 (2)  $\triangle$  4  
SEAL  
(A/R)  
WASHER  
127440-02-CHT (2)  
ANGLE-W/SLOT  
140002-01-CHT (10)



VIEW BB

DETAIL BC

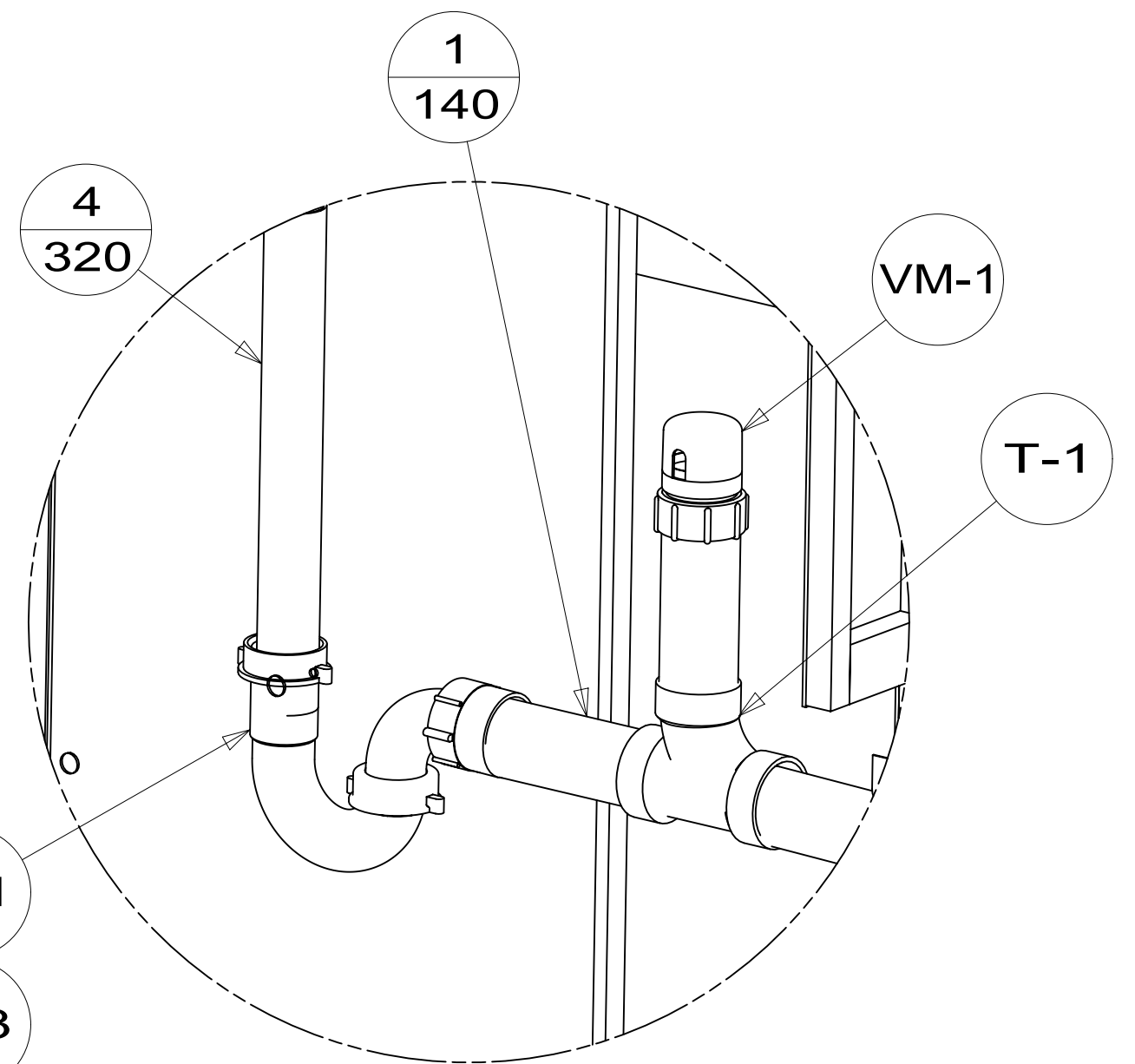
STRAP-CONDUIT, 2"  
008406-01-000 (4)

VIEW BA

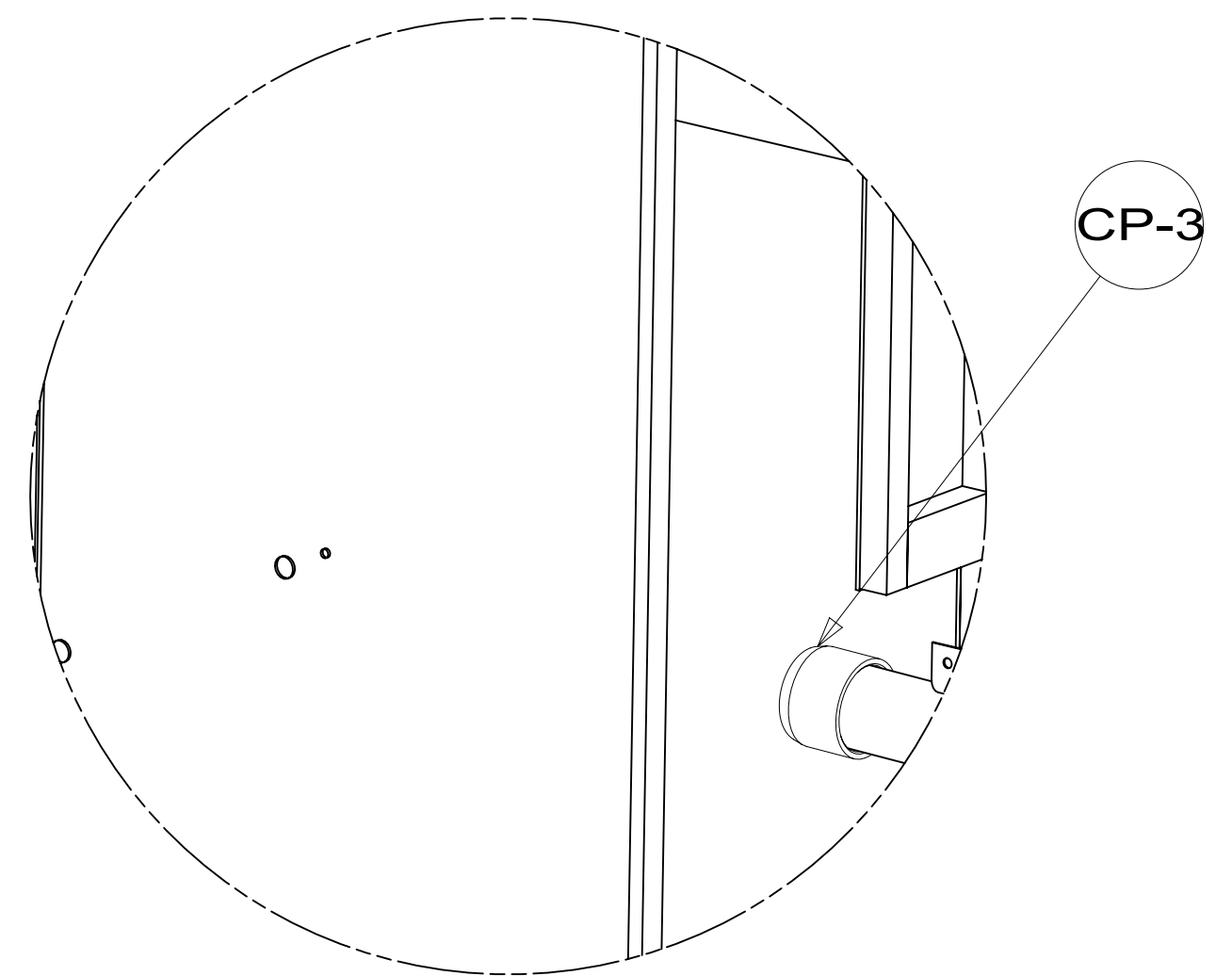
A-13

DETAIL BD

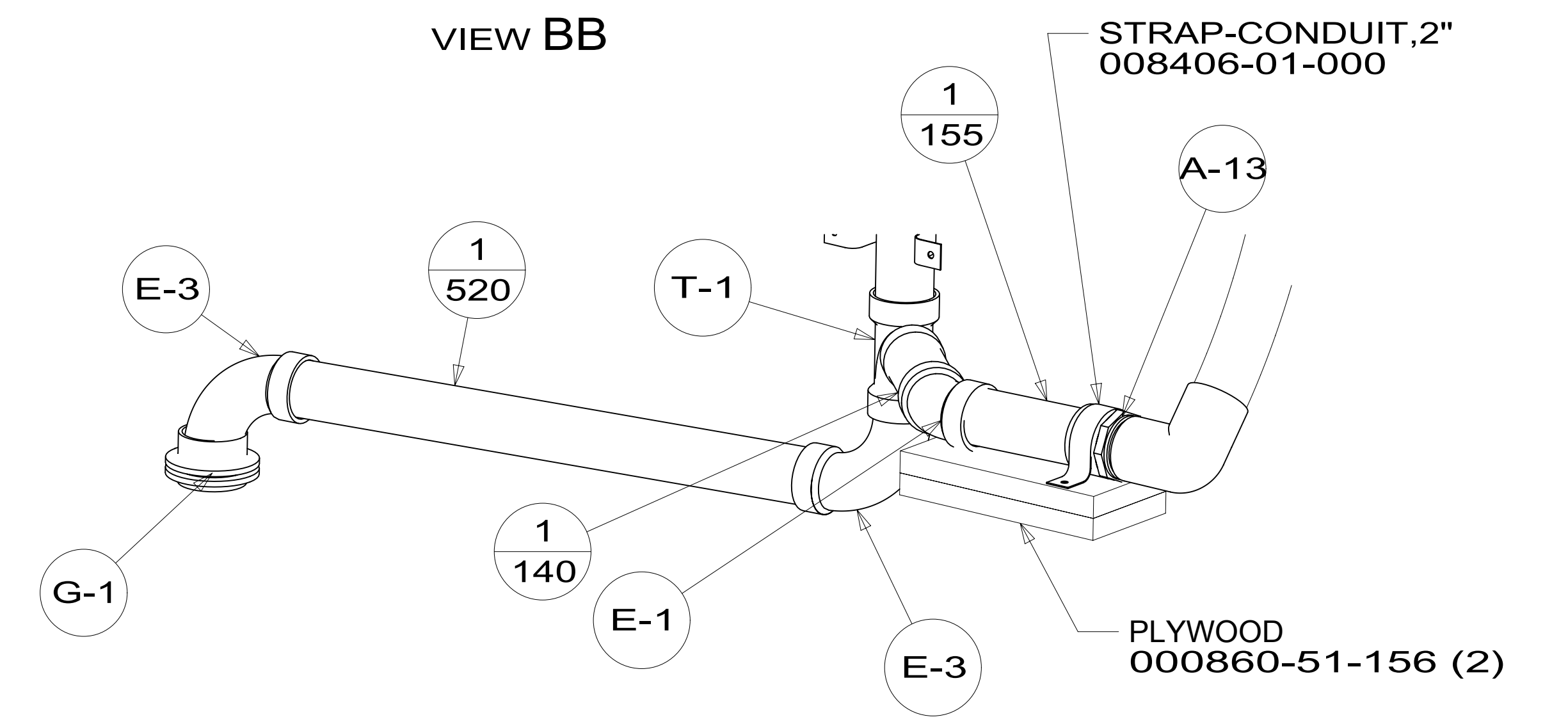
ELBOW  
136111-01-000



DETAIL BC  
21S



DETAIL BC  
21M

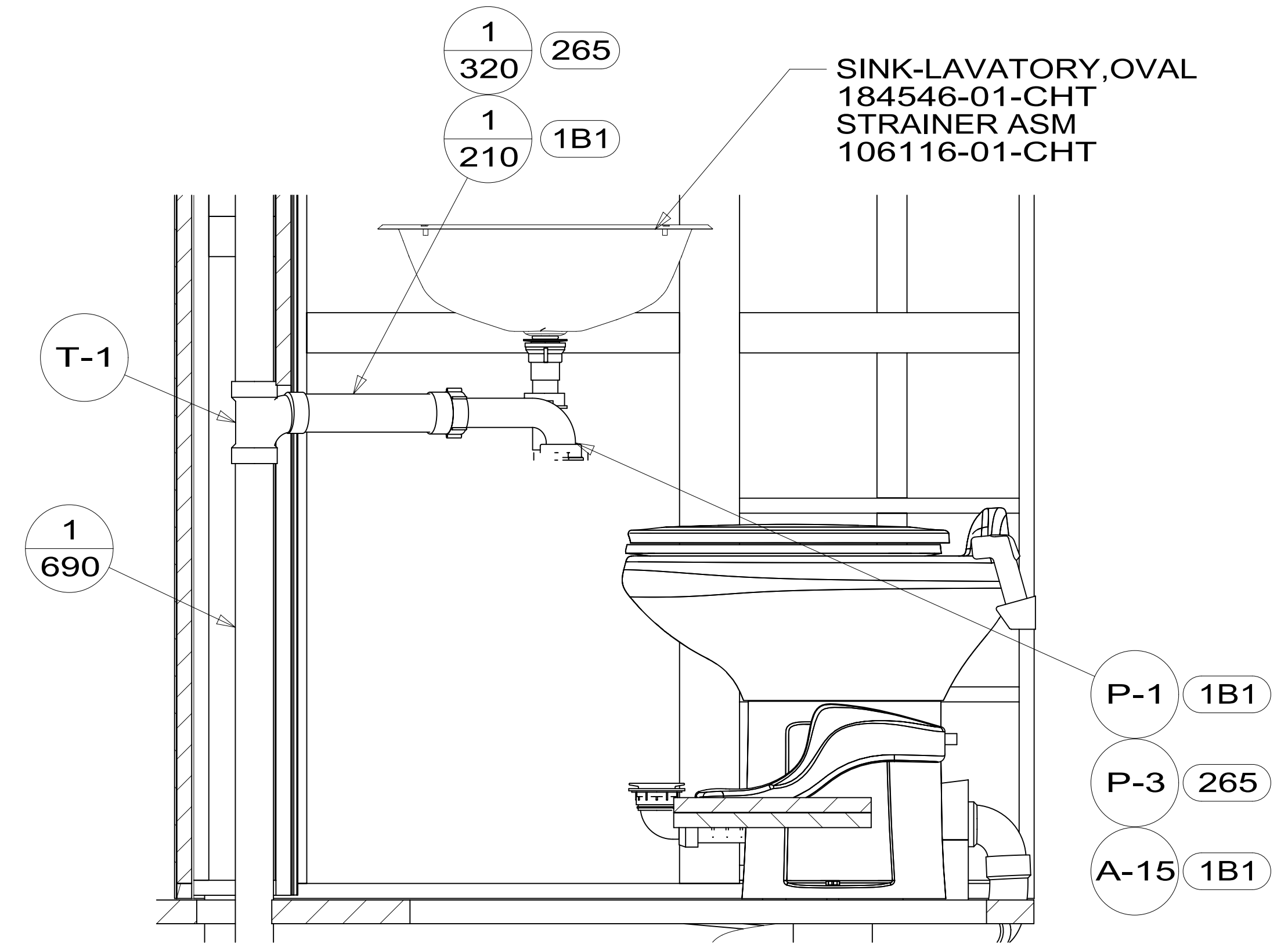
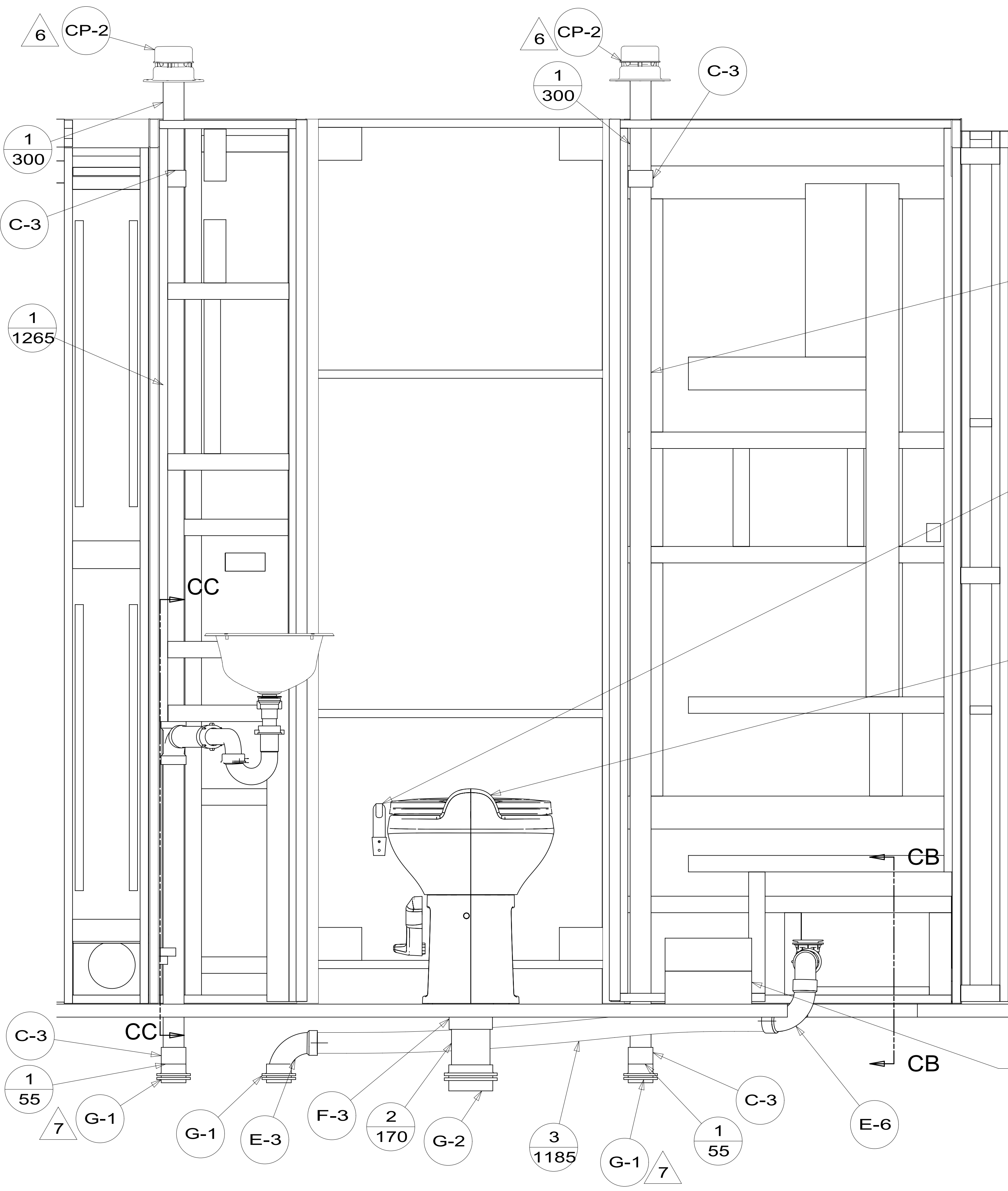
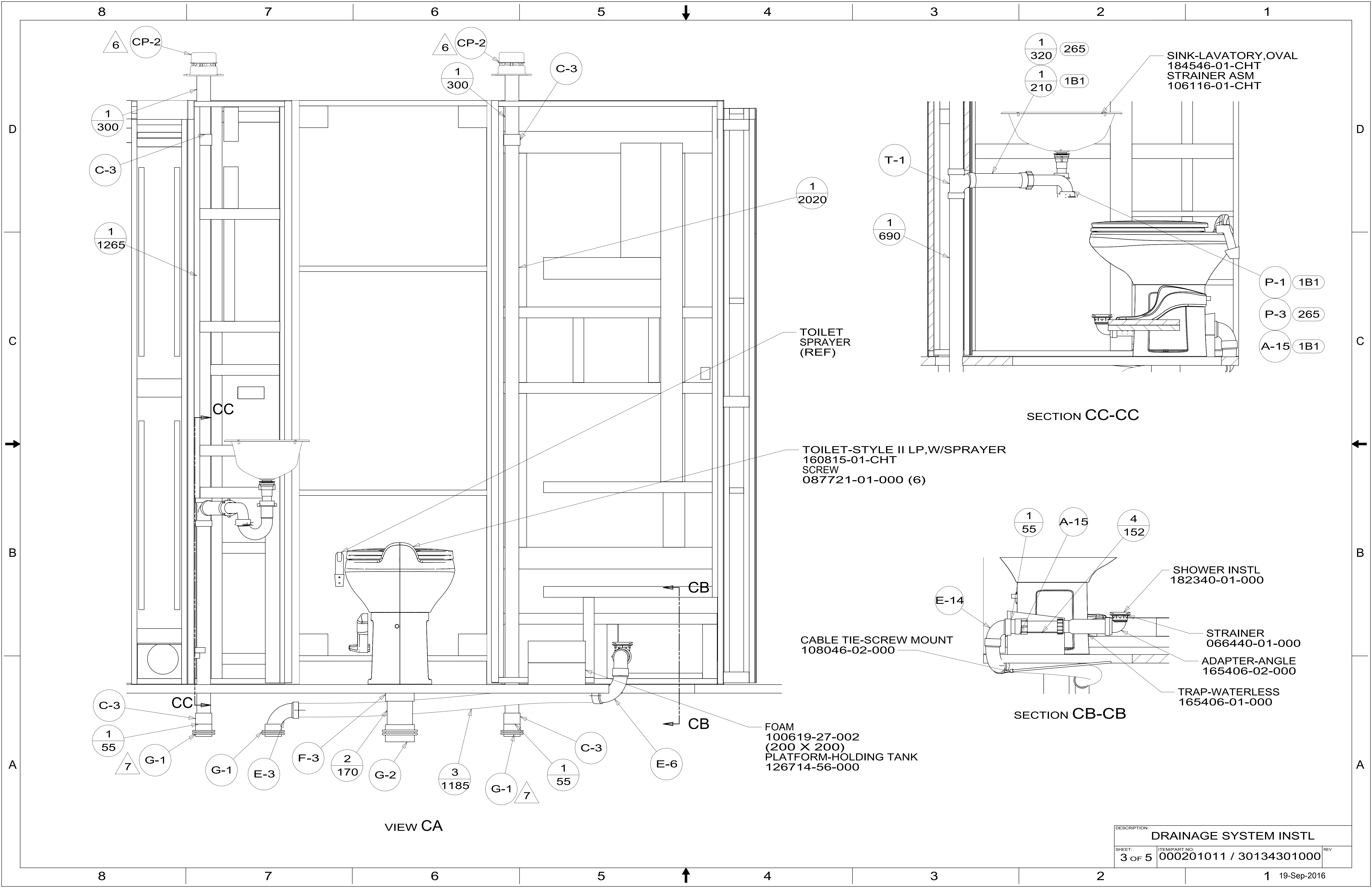


DETAIL BD  
(SHOWN W/OUT CABINETS AND FLOOR)

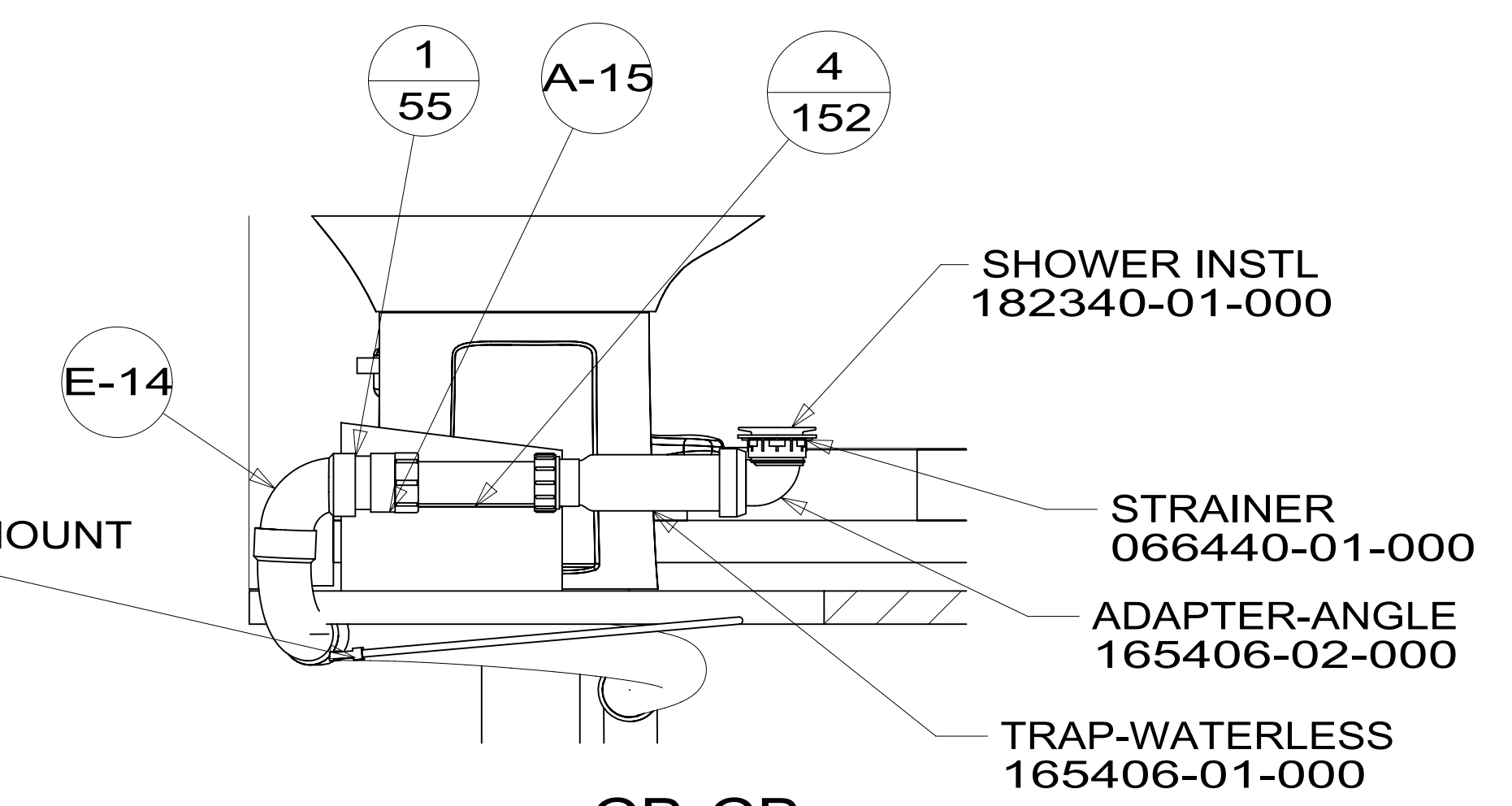
1B1 P-1  
265 P-3  
1B1 A-15

DESCRIPTION:		DRAINAGE SYSTEM INSTL	
SHEET:	ITEM/PART NO.:	REV	
2 OF 5	000201011 / 3013430100		

8 7 6 5 4 3 2 1 19-Sep-2016



SECTION CC-CC



SECTION CB-CB

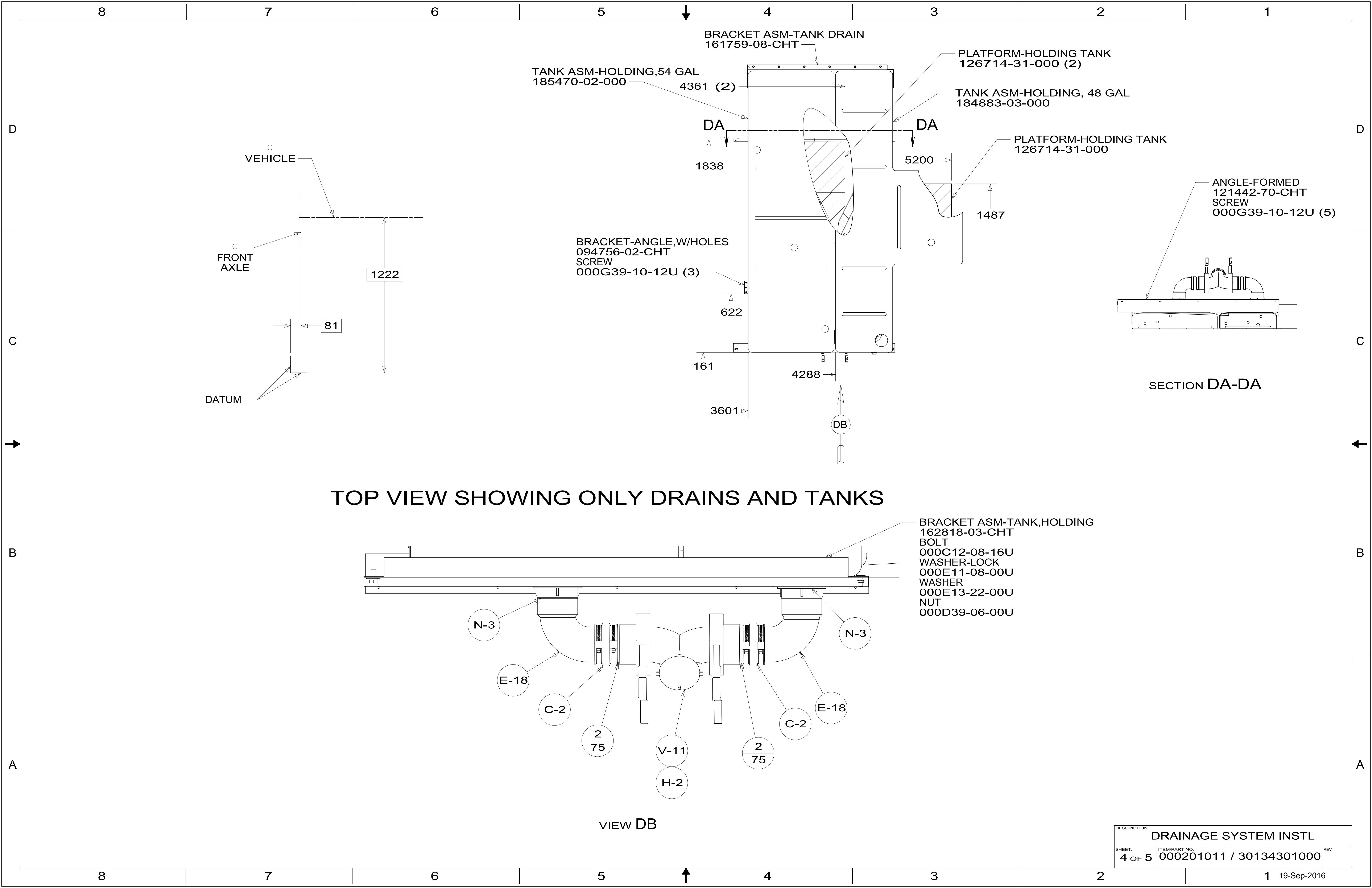
TOILET SPRAYER (REF)

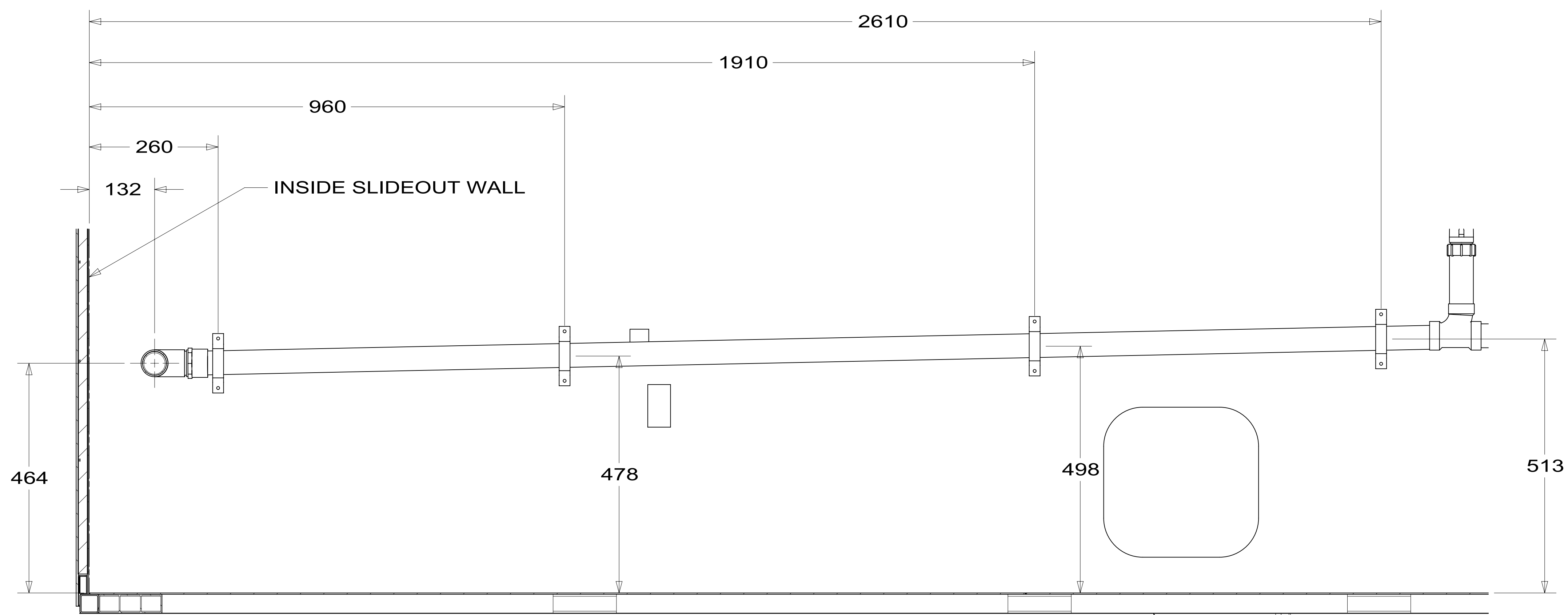
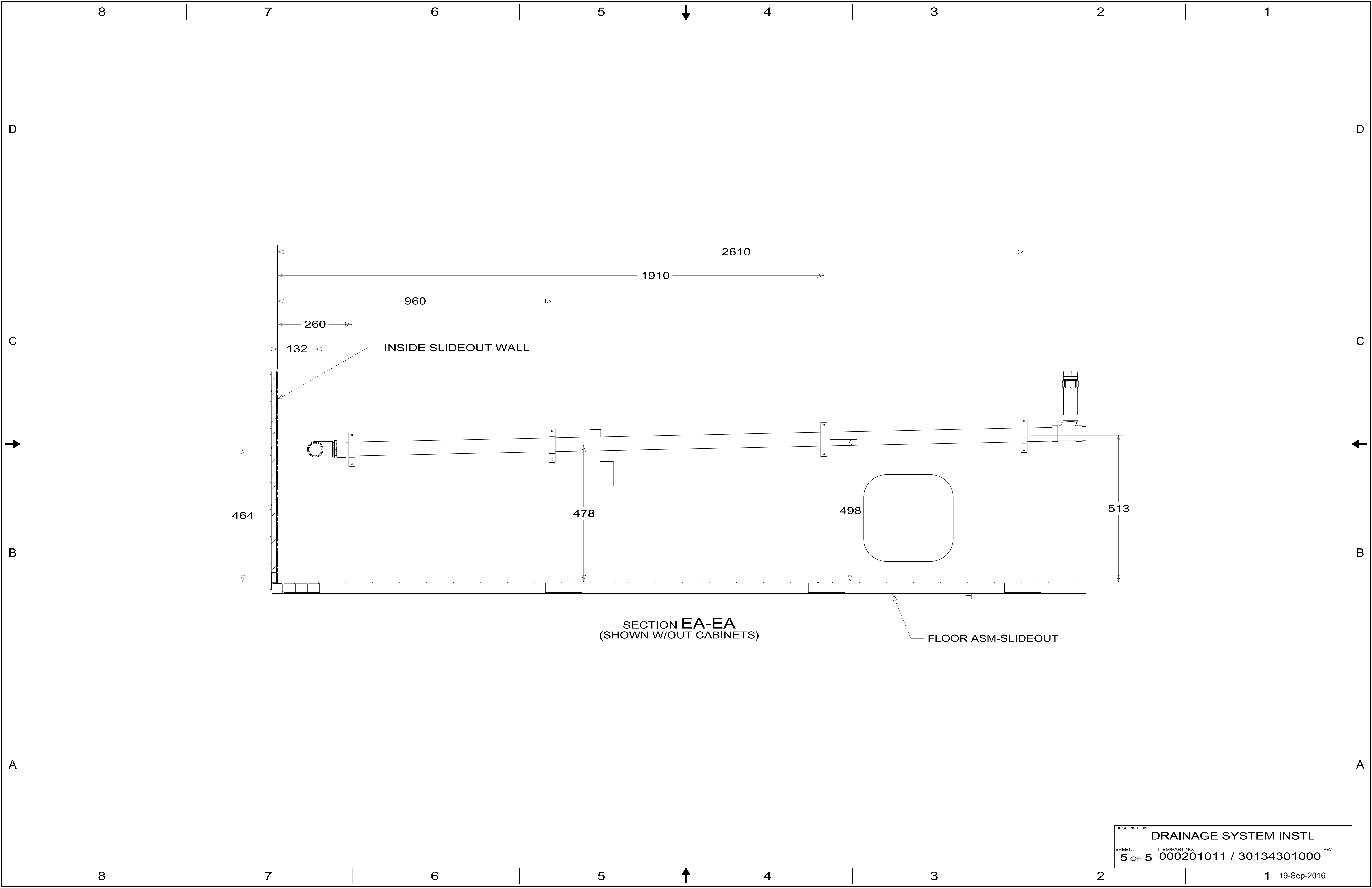
TOILET-STYLE II LP, W/SPRAYER 160815-01-CHT SCREW 087721-01-000 (6)

FOAM 100619-27-002 (200 X 200) PLATFORM-HOLDING TANK 126714-56-000

VIEW CA

DESCRIPTION: DRAINAGE SYSTEM INSTL		
SHEET: 3 OF 5	ITEM/PART NO: 000201011 / 30134301000	REV





SECTION EA-EA  
(SHOWN W/OUT CABINETS)

FLOOR ASM-SLIDEOUT

DESCRIPTION:		
DRAINAGE SYSTEM INSTL		
SHEET:	ITEM/PART NO.:	REV
5 OF 5	000201011 / 30134301000	