

(BRN)  
FROM FRONT BATH GFI  
(WHT)  
FROM LOAD CENTER  
TO REAR BATH

3 ATS  
GROMMET  
023942-01-000

PANEL-CLOSEOUT  
186380-01-CHT  
SCREW  
G39-08-12U (5)

PANEL-CLOSEOUT  
186379-01-CHT  
SCREW  
G39-08-12U (8)

(BLU)  
2400 DROP FROM  
GFI GALLEY TO EXT RCP

CLAMP  
10497-01-000 (2)  
SCREW  
G67-10-08U (2)

RCP-2 (BLU)  
EXTERIOR

(PUR, BLU, YEL, BLK, GRY)  
FROM UNDER BED  
INTO GALLEY ISLAND

MAIN TO  
LOAD CENTER

- NOTES:**
- 4 WIRE ROUTED THROUGH FLOOR IN THIS AREA.
  - 3 SEE LOAD CENTER/ATS ASM FOR ADDITIONAL INFORMATION.
  - 2. WIRES ROUTED UNDER FLOOR.
  - 1. AT MINIMUM ALL WIRES TO BE SUPPORTED AND SECURED PER CODE REQUIREMENTS. USE CLAMP 10495 OR 10497 OR WIRE TIE 8343 OR 108046 AND SCREW G67-XX-XXX OR G56-XX-XXX AS APPROPRIATE FOR INSTALLATION.

265 CODES/STANDARDS-CSA/CMVSS  
1B1 CODES/STANDARDS USA  
1B1 265

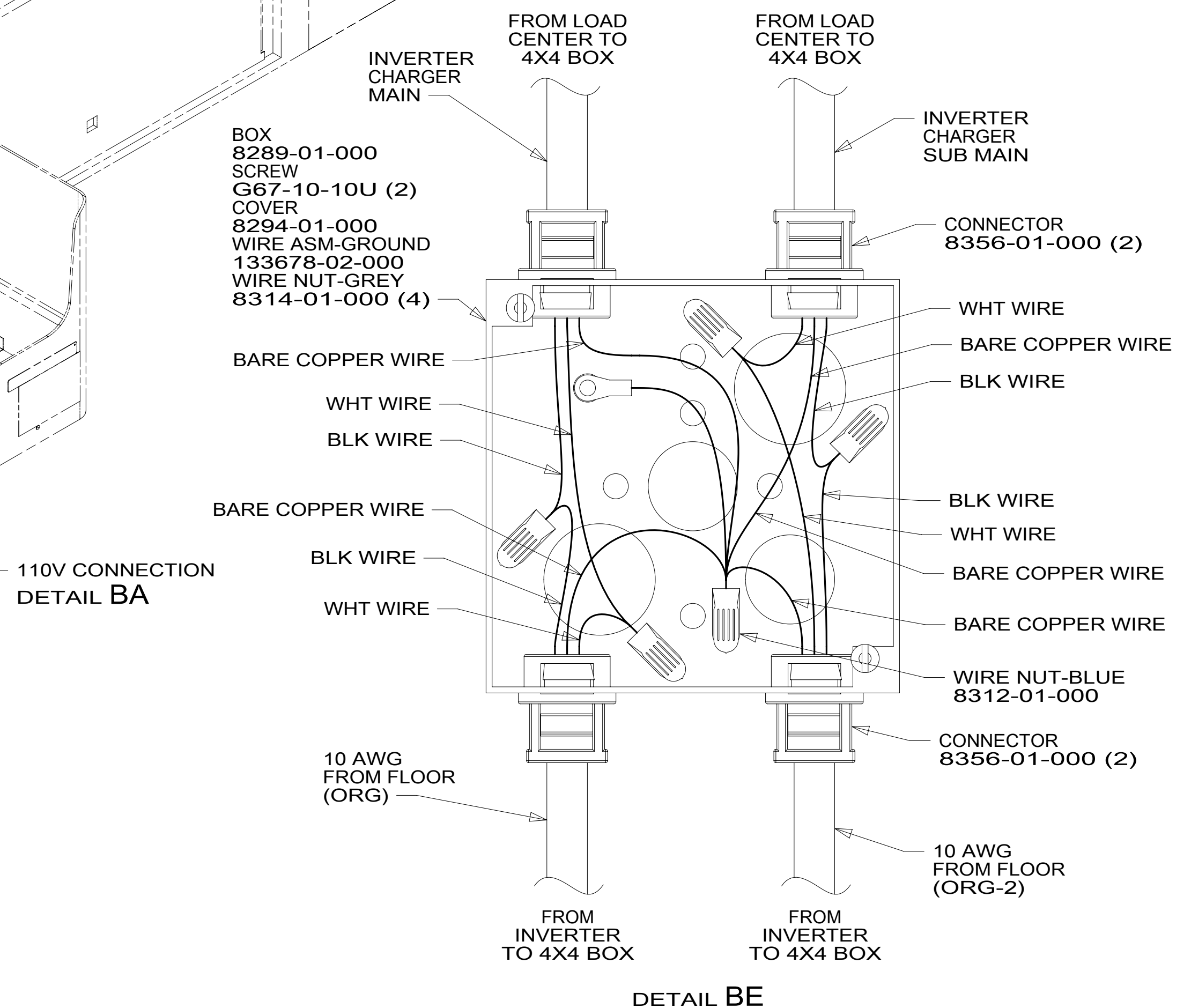
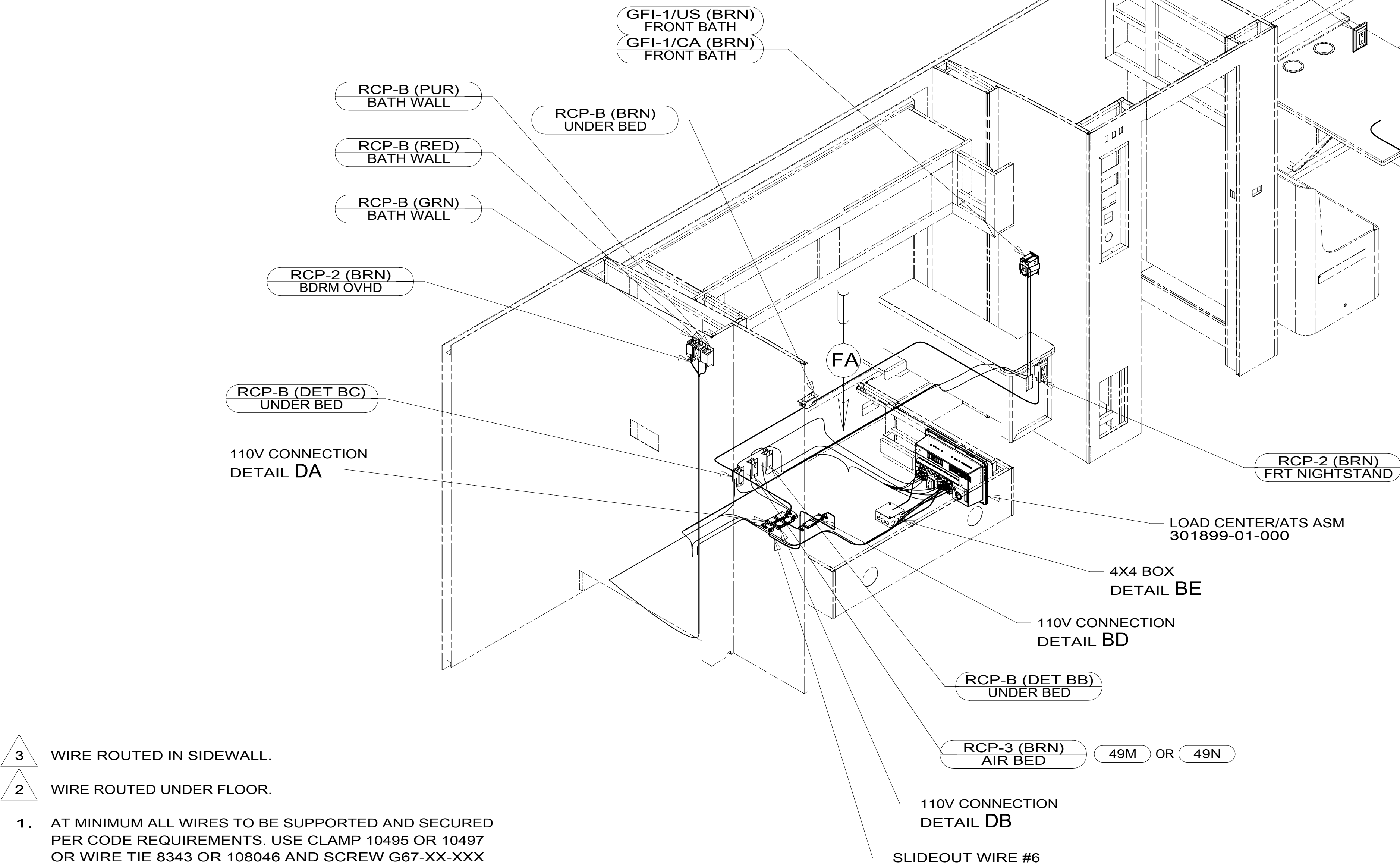
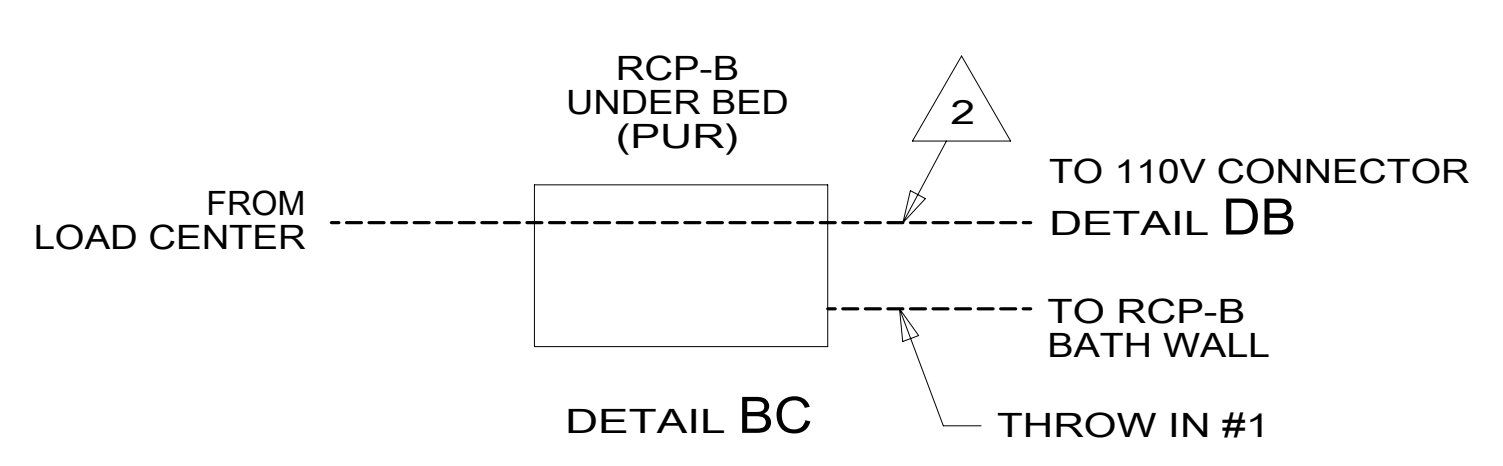
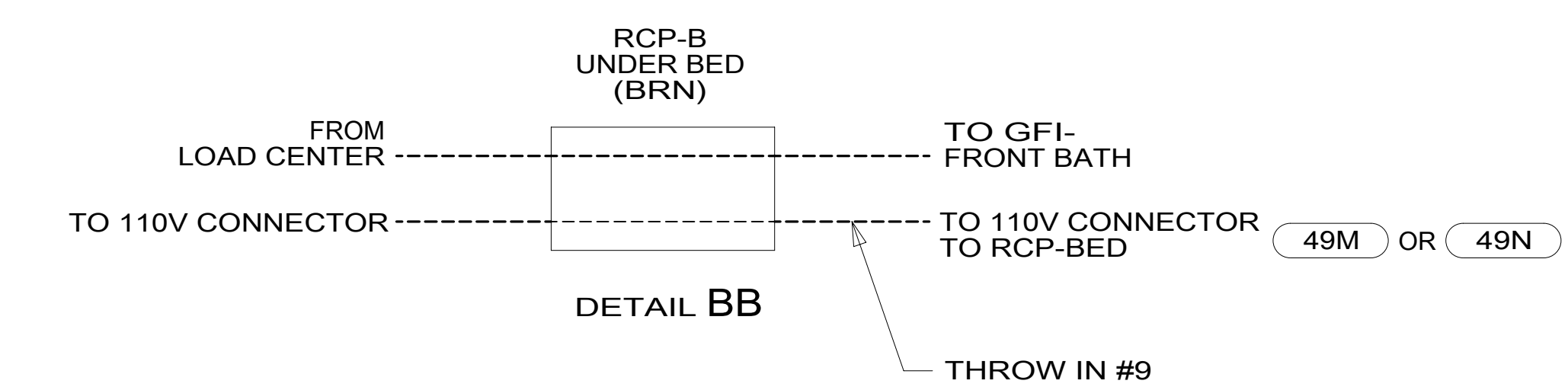
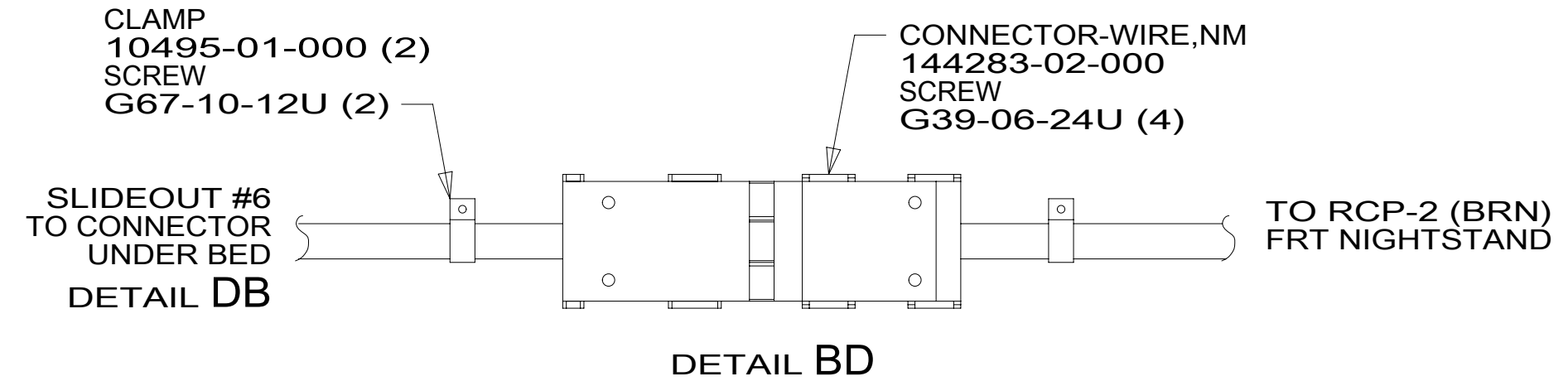
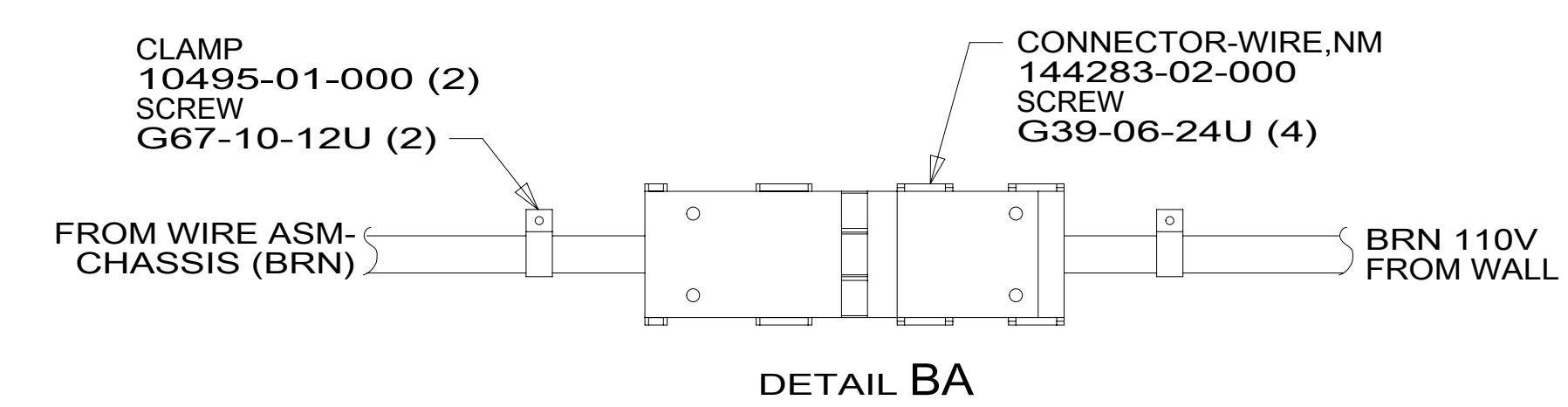


|  |               |                                   |         |
|--|---------------|-----------------------------------|---------|
| DSNR:  |               | ALL DIMENSIONS ARE IN MILLIMETERS |         |
| DFFR:  |               | MATERIAL:                         |         |
| UNSPECIFIED TOLERANCES:                            |               |                                   |         |
| WHOLE DIM (X)                                      | : 3           |                                   |         |
| ONE-PLACE (X.X)                                    | : 1.5         |                                   |         |
| TWO-PLACE (X.XX)                                   | : 0.50        |                                   |         |
| ANGLE  | : 1°          |                                   |         |
| REFER TO ES0018 FOR FASTENER TIGHTENING GUIDELINES | WEIGHT: (LBS) | FIRST USED:                       | 16 D36Z |

FOR ELECTRICAL TORQUE SPECIFICATIONS SEE DWG NO. 128783-01-000

FOR ELECTRICAL CALLOUTS SEE DWG NO. 121339-01-000

|                                |                                       |               |
|--------------------------------|---------------------------------------|---------------|
| <b>DESCRIPTION:</b>            |                                       |               |
| <b>WIRING INSTL-BODY, 110V</b> |                                       |               |
| SHEET: 1 OF 7                  | ITEM/PART NO: 000181939 / 30189801000 | REV:          |
| REF:                           |                                       | 1 20-Sep-2016 |



NOTES:

3 WIRE ROUTED IN SIDEWALL.

2 WIRE ROUTED UNDER FLOOR.

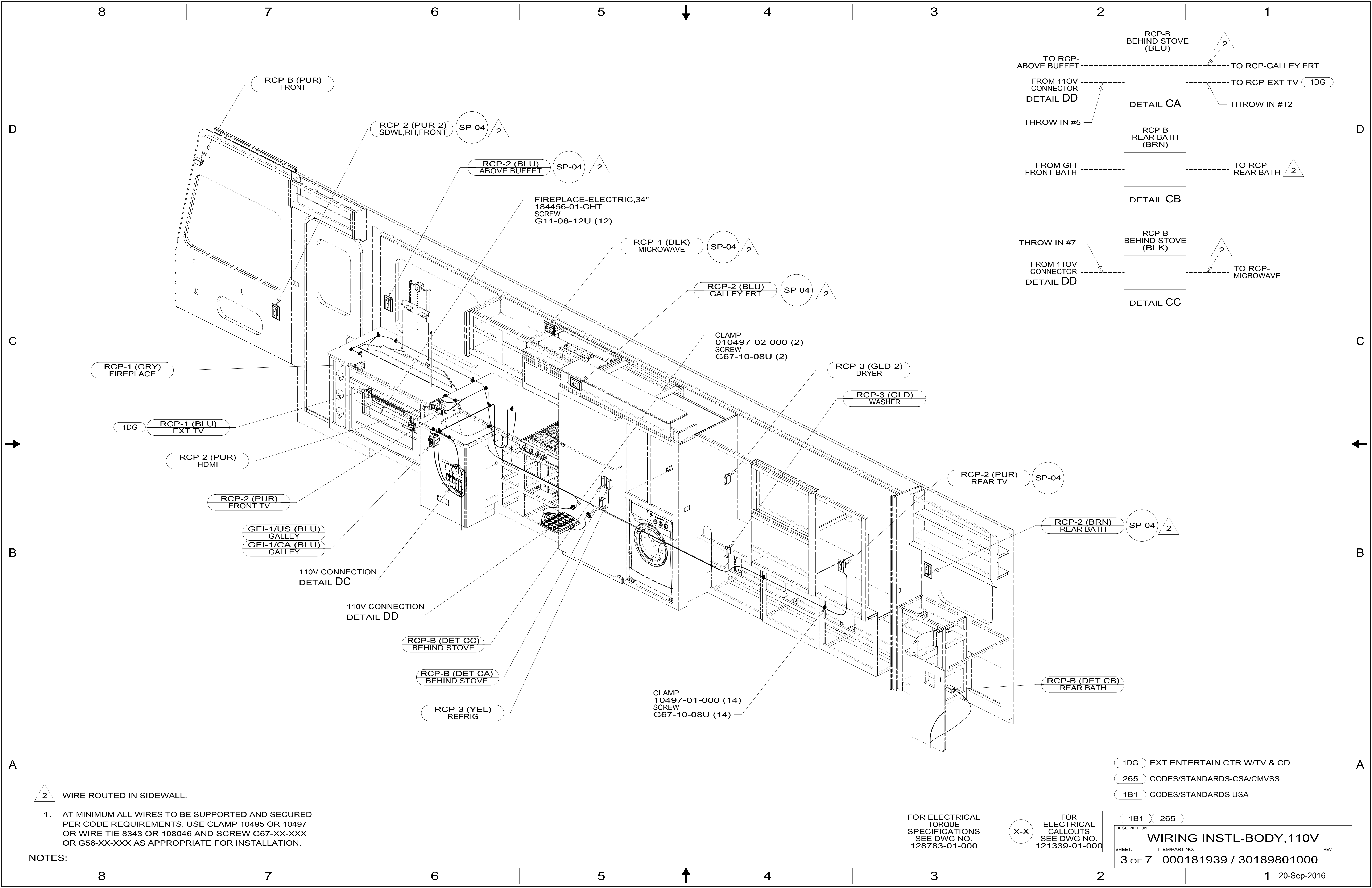
1. AT MINIMUM ALL WIRES TO BE SUPPORTED AND SECURED PER CODE REQUIREMENTS. USE CLAMP 10495 OR 10497 OR WIRE TIE 8343 OR 108046 AND SCREW G67-XX-XXX OR G56-XX-XXX AS APPROPRIATE FOR INSTALLATION.

FOR ELECTRICAL TORQUE SPECIFICATIONS SEE DWG NO. 128783-01-000

FOR ELECTRICAL CALLOUTS SEE DWG NO. 121339-01-000

- 49M AIR SLEEP SYSTEM-QUEEN SIZE
- 49N AIR SLEEP SYSTEM - KING SIZE
- 265 CODES/STANDARDS-CSA/CMVSS
- 1B1 CODES/STANDARDS USA

|                                |                         |     |
|--------------------------------|-------------------------|-----|
| DESCRIPTION:                   | 1B1 265                 |     |
| <b>WIRING INSTL-BODY, 110V</b> |                         |     |
| SHEET:                         | ITEM/PART NO.:          | REV |
| 2 OF 7                         | 000181939 / 30189801000 |     |



RCP-B (PUR) FRONT

RCP-2 (PUR-2) SDWL,RH,FRONT SP-04 2

RCP-2 (BLU) ABOVE BUFFET SP-04 2

FIREPLACE-ELECTRIC,34" 184456-01-CHT SCREW G11-08-12U (12)

RCP-1 (BLK) MICROWAVE SP-04 2

RCP-2 (BLU) GALLEY FRT SP-04 2

CLAMP 010497-02-000 (2) SCREW G67-10-08U (2)

RCP-3 (GLD-2) DRYER

RCP-3 (GLD) WASHER

RCP-1 (GRY) FIREPLACE

1DG RCP-1 (BLU) EXT TV

RCP-2 (PUR) HDMI

RCP-2 (PUR) FRONT TV

GFI-1/US (BLU) GALLEY GFI-1/CA (BLU) GALLEY

110V CONNECTION DETAIL DC

110V CONNECTION DETAIL DD

RCP-B (DET CC) BEHIND STOVE

RCP-B (DET CA) BEHIND STOVE

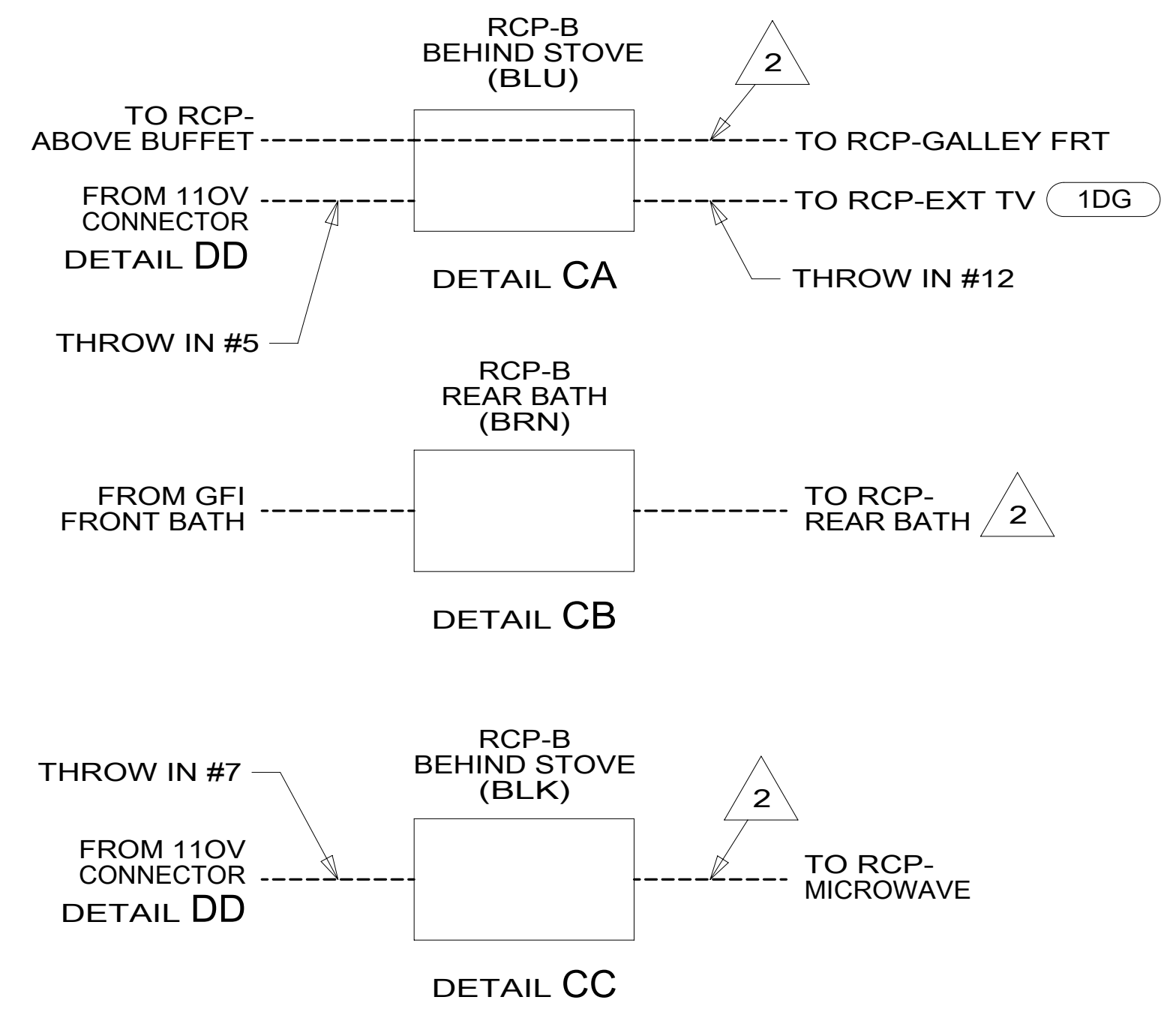
RCP-3 (YEL) REFRIG

CLAMP 10497-01-000 (14) SCREW G67-10-08U (14)

RCP-2 (PUR) REAR TV SP-04

RCP-2 (BRN) REAR BATH SP-04 2

RCP-B (DET CB) REAR BATH



2 WIRE ROUTED IN SIDEWALL.

1. AT MINIMUM ALL WIRES TO BE SUPPORTED AND SECURED PER CODE REQUIREMENTS. USE CLAMP 10495 OR 10497 OR WIRE TIE 8343 OR 108046 AND SCREW G67-XX-XXX OR G56-XX-XXX AS APPROPRIATE FOR INSTALLATION.

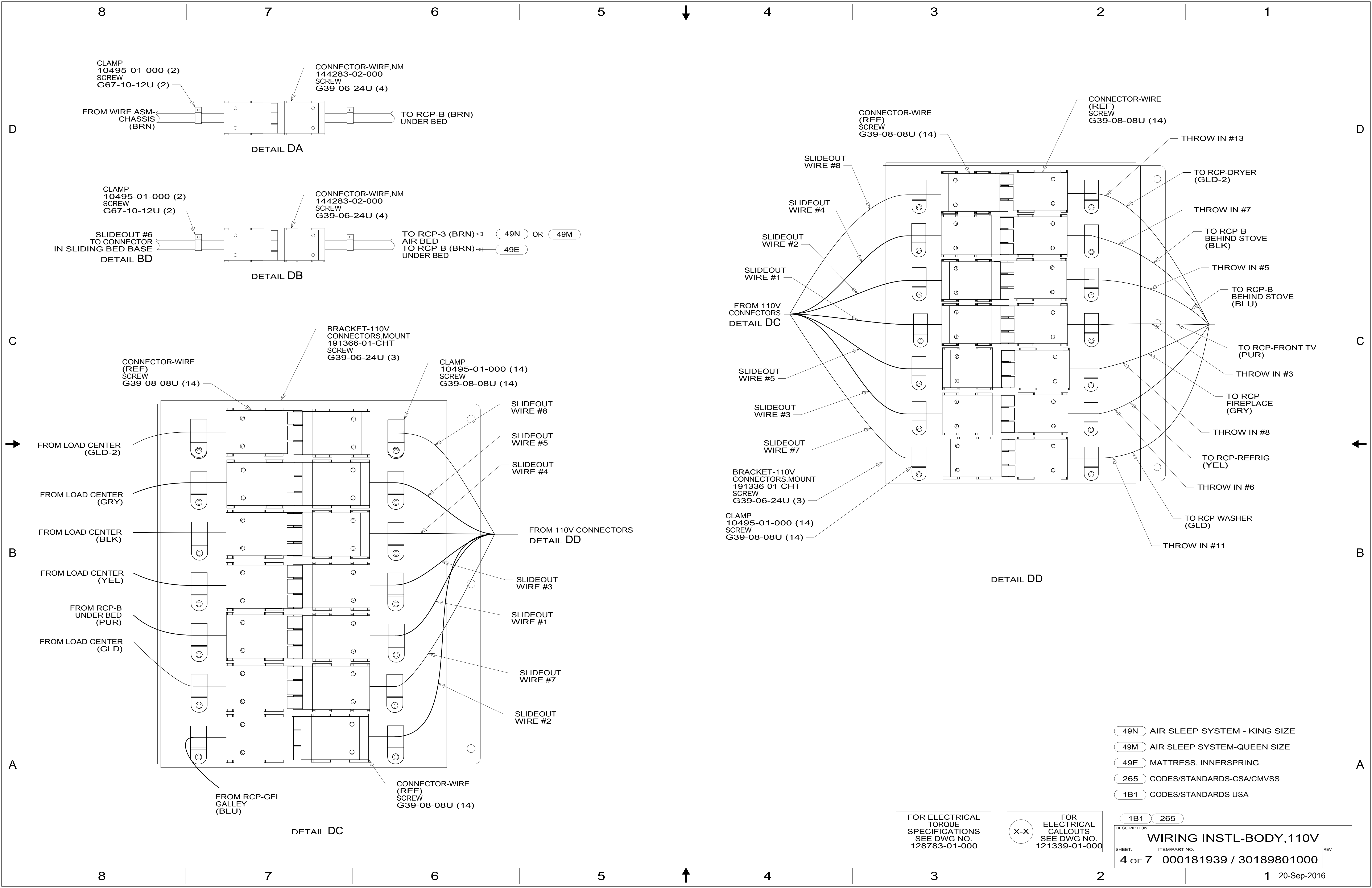
NOTES:

FOR ELECTRICAL TORQUE SPECIFICATIONS SEE DWG NO. 128783-01-000

X-X FOR ELECTRICAL CALLOUTS SEE DWG NO. 121339-01-000

- 1DG EXT ENTERTAIN CTR W/TV & CD
- 265 CODES/STANDARDS-CSA/CMVSS
- 1B1 CODES/STANDARDS USA

|                                |                         |         |  |
|--------------------------------|-------------------------|---------|--|
| DESCRIPTION:                   |                         | 1B1 265 |  |
| <b>WIRING INSTL-BODY, 110V</b> |                         |         |  |
| SHEET:                         | ITEM/PART NO.:          | REV:    |  |
| 3 OF 7                         | 000181939 / 30189801000 |         |  |



CLAMP  
10495-01-000 (2)  
SCREW  
G67-10-12U (2)

CONNECTOR-WIRE,NM  
144283-02-000  
SCREW  
G39-06-24U (4)

DETAIL DA

CLAMP  
10495-01-000 (2)  
SCREW  
G67-10-12U (2)

CONNECTOR-WIRE,NM  
144283-02-000  
SCREW  
G39-06-24U (4)

SLIDEOUT #6  
TO CONNECTOR  
IN SLIDING BED BASE

TO RCP-3 (BRN) ← 49N OR 49M  
TO RCP-B (BRN) ← 49E  
AIR BED  
UNDER BED

DETAIL DB

BRACKET-110V  
CONNECTORS,MOUNT  
191366-01-CHT  
SCREW  
G39-06-24U (3)

CLAMP  
10495-01-000 (14)  
SCREW  
G39-08-08U (14)

CONNECTOR-WIRE  
(REF)  
SCREW  
G39-08-08U (14)

DETAIL DC

CONNECTOR-WIRE  
(REF)  
SCREW  
G39-08-08U (14)

CONNECTOR-WIRE  
(REF)  
SCREW  
G39-08-08U (14)

SLIDEOUT WIRE #8

SLIDEOUT WIRE #4

SLIDEOUT WIRE #2

SLIDEOUT WIRE #1

FROM 110V  
CONNECTORS  
DETAIL DC

SLIDEOUT WIRE #5

SLIDEOUT WIRE #3

SLIDEOUT WIRE #7

BRACKET-110V  
CONNECTORS,MOUNT  
191366-01-CHT  
SCREW  
G39-06-24U (3)

CLAMP  
10495-01-000 (14)  
SCREW  
G39-08-08U (14)

THROW IN #13

TO RCP-DRYER  
(GLD-2)

THROW IN #7

TO RCP-B  
BEHIND STOVE  
(BLK)

THROW IN #5

TO RCP-B  
BEHIND STOVE  
(BLU)

TO RCP-FRONT TV  
(PUR)

THROW IN #3

TO RCP-  
FIREPLACE  
(GRY)

THROW IN #8

TO RCP-REFRIG  
(YEL)

THROW IN #6

TO RCP-WASHER  
(GLD)

THROW IN #11

DETAIL DD

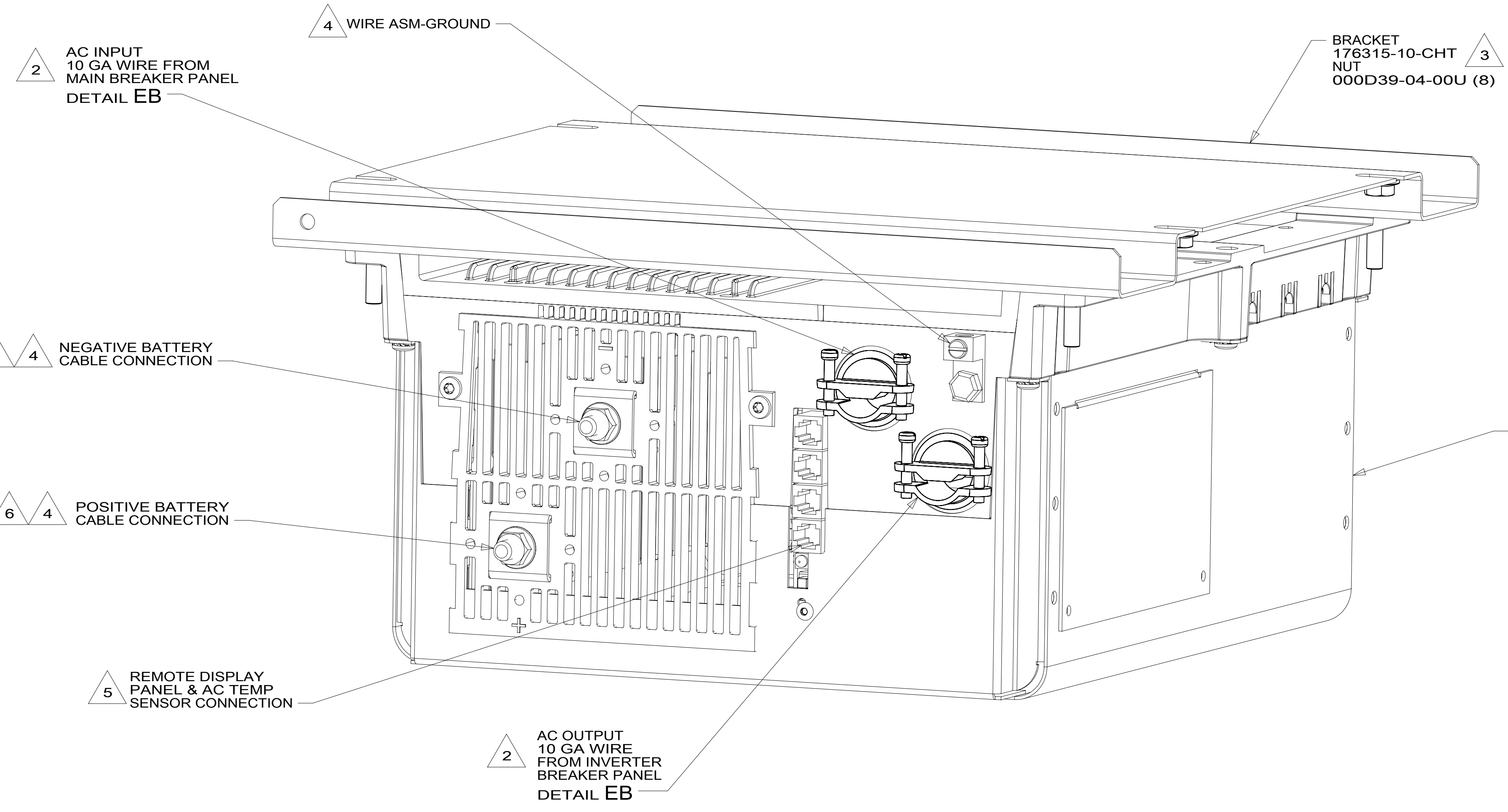
- 49N AIR SLEEP SYSTEM - KING SIZE
- 49M AIR SLEEP SYSTEM-QUEEN SIZE
- 49E MATTRESS, INNERSPRING
- 265 CODES/STANDARDS-CSA/CMVSS
- 1B1 CODES/STANDARDS USA

FOR ELECTRICAL  
TORQUE  
SPECIFICATIONS  
SEE DWG NO.  
128783-01-000

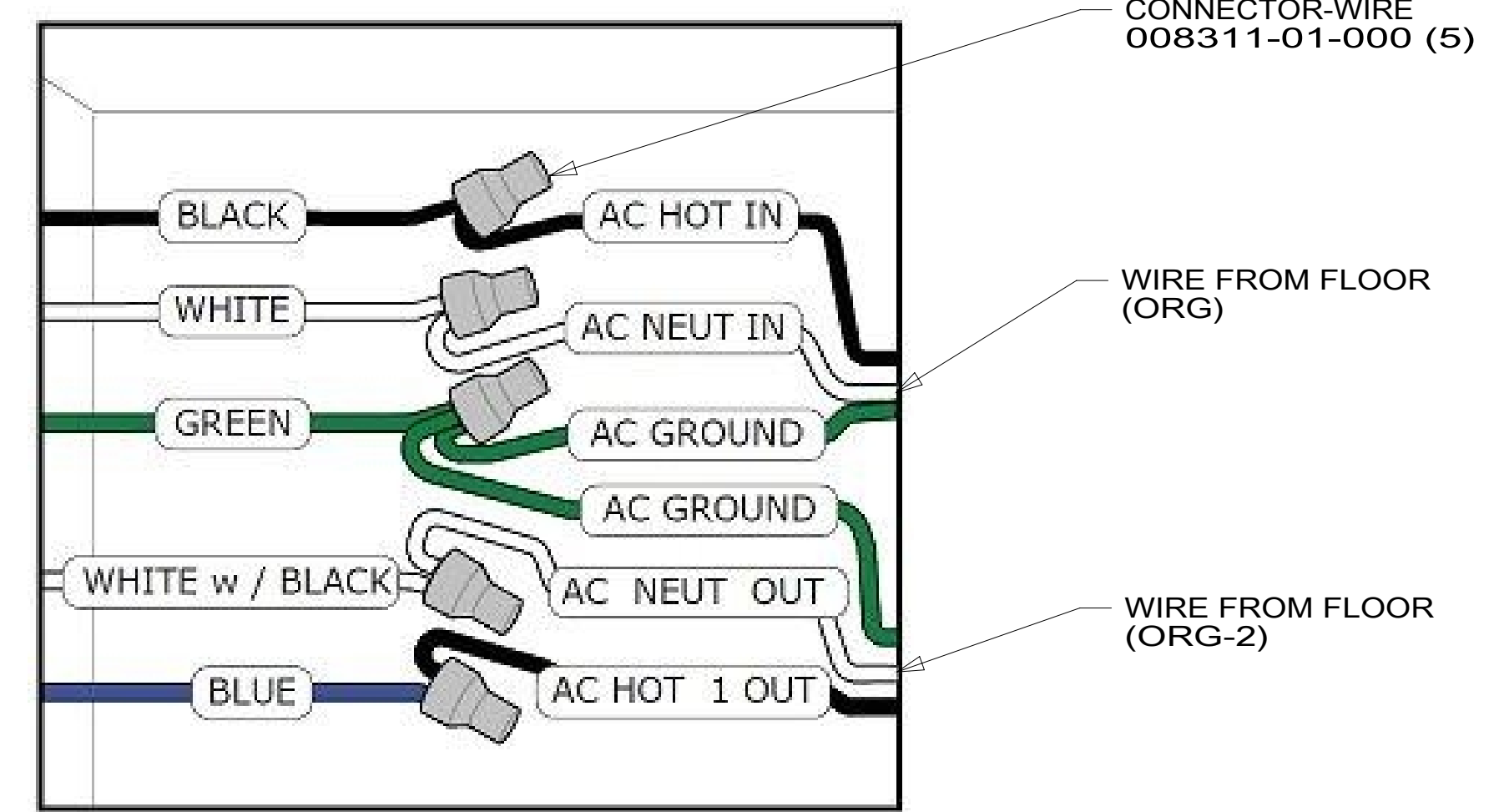
FOR ELECTRICAL  
CALLOUTS  
SEE DWG NO.  
121339-01-000

|                                |                         |     |
|--------------------------------|-------------------------|-----|
| DESCRIPTION:                   | 1B1 265                 |     |
| <b>WIRING INSTL-BODY, 110V</b> |                         |     |
| SHEET:                         | ITEM/PART NO:           | REV |
| 4 OF 7                         | 000181939 / 30189801000 |     |

8 7 6 5 4 3 2 1



DETAIL EA



DETAIL EB

- 6 DO NOT USE POWER/AIR TOOL IN INSTALL NUT. TORQUE TO 10-12 FT LBS.
- 5 CABLES PART OF WIR ASM-CHASSIS.
- 4 SEE BATTERY INSTL FOR ADDITIONAL INFORMATION.
- 3 BRACKET IS LOCATED BY HOLES ON BRACKET.
- 2 SEE LOAD CENTER/ATS ASM FOR ADDITIONAL INFORMATION.

NOTES:  
1. SEE INVERTER/CHARGER OWNER'S MANUAL FOR ADDITIONAL INFORMATION.

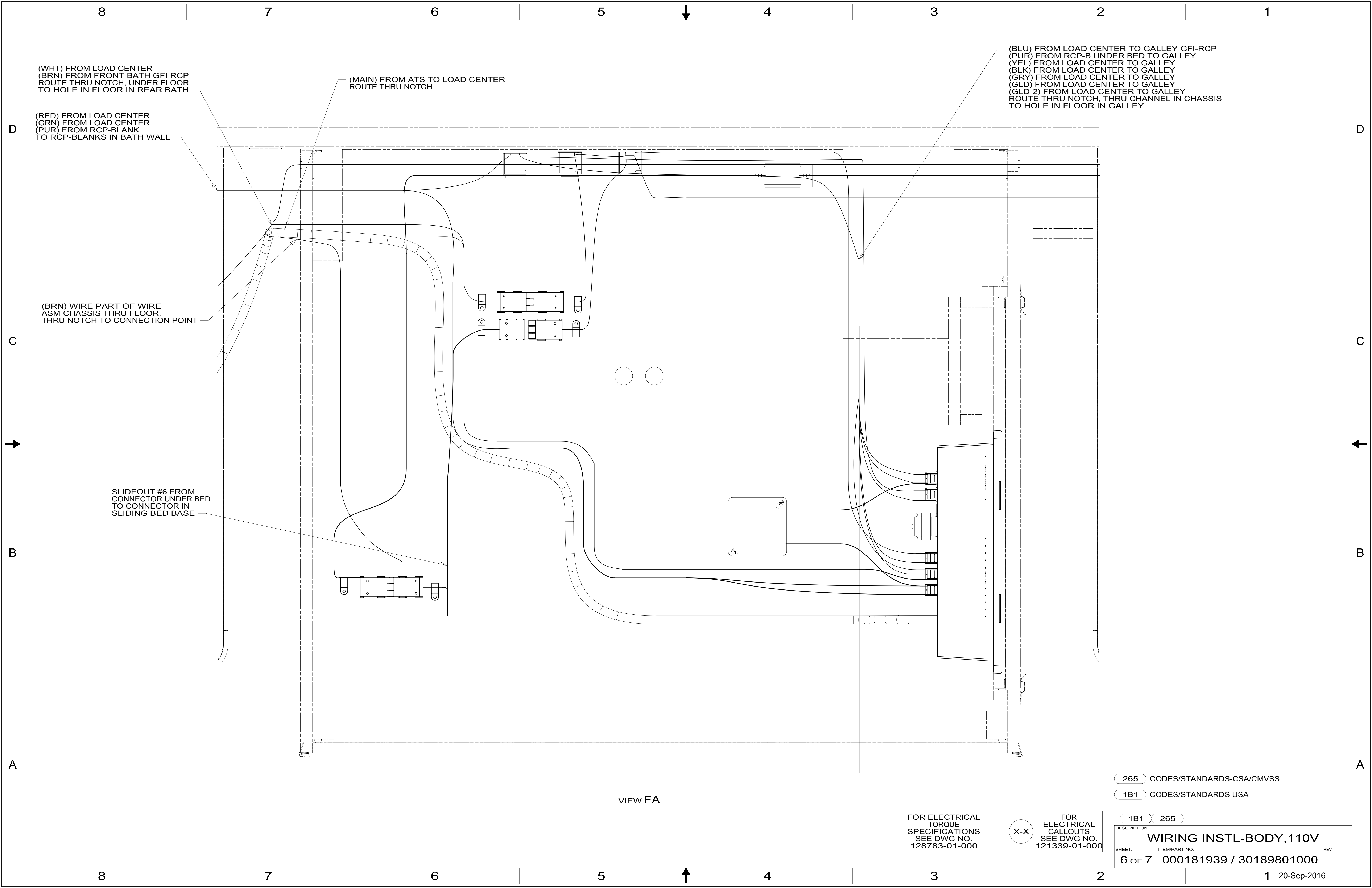
265 CODES/STANDARDS-CSA/CMVSS  
1B1 CODES/STANDARDS USA

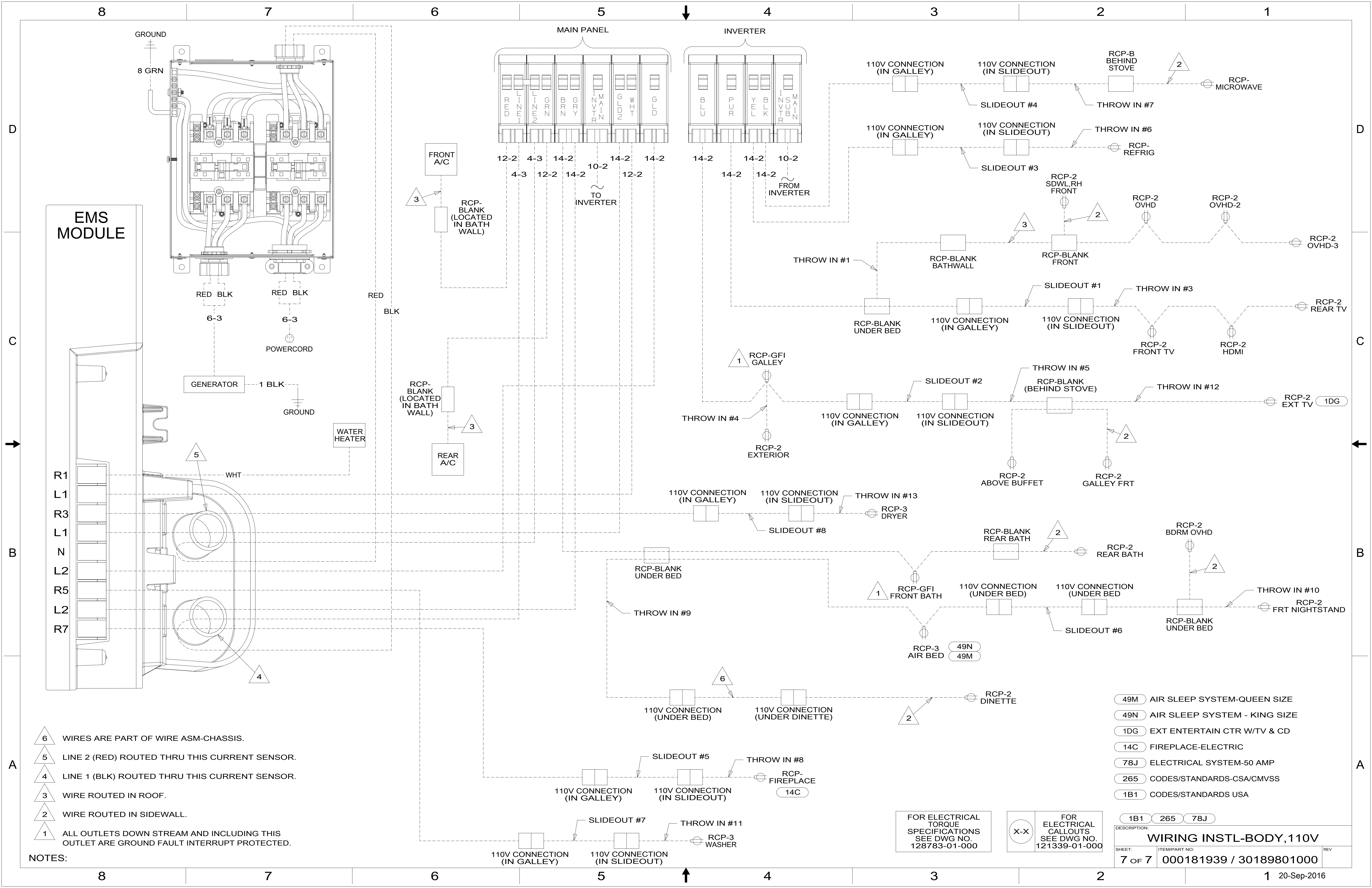
FOR ELECTRICAL  
TORQUE  
SPECIFICATIONS  
SEE DWG NO.  
128783-01-000

X-X  
FOR ELECTRICAL  
CALLOUTS  
SEE DWG NO.  
121339-01-000

|  |  |
|--|--|
| DESCRIPTION:<br><b>WIRING INSTL-BODY, 110V</b> |  |
| SHEET:<br>5 OF 7                               | ITEM/PART NO:<br>000181939 / 30189801000 |
| REV  |  |

8 7 6 5 4 3 2 1 20-Sep-2016





- NOTES:
- 6 WIRES ARE PART OF WIRE ASM-CHASSIS.
  - 5 LINE 2 (RED) ROUTED THRU THIS CURRENT SENSOR.
  - 4 LINE 1 (BLK) ROUTED THRU THIS CURRENT SENSOR.
  - 3 WIRE ROUTED IN ROOF.
  - 2 WIRE ROUTED IN SIDEWALL.
  - 1 ALL OUTLETS DOWN STREAM AND INCLUDING THIS OUTLET ARE GROUND FAULT INTERRUPT PROTECTED.

- 49M AIR SLEEP SYSTEM-QUEEN SIZE
- 49N AIR SLEEP SYSTEM - KING SIZE
- 1DG EXT ENTERTAIN CTR W/TV & CD
- 14C FIREPLACE-ELECTRIC
- 78J ELECTRICAL SYSTEM-50 AMP
- 265 CODES/STANDARDS-CSA/CMVSS
- 1B1 CODES/STANDARDS USA

FOR ELECTRICAL TORQUE SPECIFICATIONS SEE DWG NO. 128783-01-000

FOR ELECTRICAL CALLOUTS SEE DWG NO. 121339-01-000

|                                |                                       |     |
|--------------------------------|---------------------------------------|-----|
| DESCRIPTION: 1B1 265 78J       |                                       |     |
| <b>WIRING INSTL-BODY, 110V</b> |                                       |     |
| SHEET: 7 OF 7                  | ITEM/PART NO: 000181939 / 30189801000 | REV |