

8 7 6 5 4 3 2 1

TV-48" FLAT
 PANEL ELED, HDTV
 194669-01-000
 SCREW
 (SUPPLIED WITH TV)
 NUT
 D24-10-00U (8)
 PLATE-MOUNTING ASM,TV
 195253-01-CHT
 PLATE ASM-MOUNTING,TV
 000008461 / 312592-01-CHT
 NUT
 D39-06-00U (4)
 CONNECTOR-HDMI,90 UP
 179395-02-000 (2)

PLATE ASM-MOUNTING,TV
 000008461 / 312592-01-CHT

SPEAKER-SOUNDBAR
 195117-01-000
 BRACKET-SPEAKER
 000008480 / 310883-01-CHT
 SCREW
 G11-08-12U (4)
 SCREW
 OMG02U-04-010 (2)

PLATE-WALL
 149557-10-CHT
 SCREW
 G67-10-08U (2)

SATELLITE
 RECEIVER
 (REF)

DVD PLAYER
 186774-01-000
 FASTENER-DUAL LOCK
 85774-01-000 (200 MM)
 85774-02-000 (200 MM)

RCP-2 (PUR)
 OVHD FRONT

PLATE-WALL,
 POWER SUPPLY
 179004-02-CHT

CONTROL-INTERIOR
 183415-05-000
 FASTENER-DUAL LOCK
 85774-01-000 (200 MM)
 85774-02-000 (200 MM)

PANEL ASM
 155127-35-XXX ← 783 45D
 155127-36-XXX ← 78C 45D
 155127-37-XXX ← 783 45B
 155127-38-XXX ← 78C 45B

GROMMET-EDGE LINER
 114208-05-000

BOLT-HOOD
 058786-01-000 (2)
 NUT
 D39-05-00U (2)

BRACKET-TV SWING MOUNT
 179241-04-CHT
 SCREW
 G42-04-16U (8)

CLAMP
 10497-03-000 (2)
 SCREW
 G39-08-12U (2)

COVER-WIRE
 176981-03-CHT
 SCREW
 G39-08-12U (2)

- 45D LOFT BED - WITHOUT
- 45B LOFT BED
- 78C SATELLITE SYSTEM READY
- 783 SATELLITE HD TV SYSTEM AUTOC
- 265 CODES/STANDARDS-CSA/CMVSS
- 1B1 CODES/STANDARDS USA



DSNR:		ALL DIMENSIONS ARE IN MILLIMETERS	
DIFFR:		MATERIAL:	
UNSPECIFIED TOLERANCES:	WHOLE DIM (X)	3	
	ONE-PLACE (X.X)	1.5	
	TWO-PLACE (X.XX)	0.50	
	ANGLE	1°	
REFER TO ES0018 FOR FASTENER TIGHTENING GUIDELINES		WEIGHT: (LBS)	FIRST USED:
			16 L34T
DESCRIPTION: WIRING INSTL-TV/DVD			
SHEET:	ITEM/PART NO:	REF:	REV:
1 OF 3	000181565 / 30138401000		

VIEW AA
 (TV NOT SHOWN)

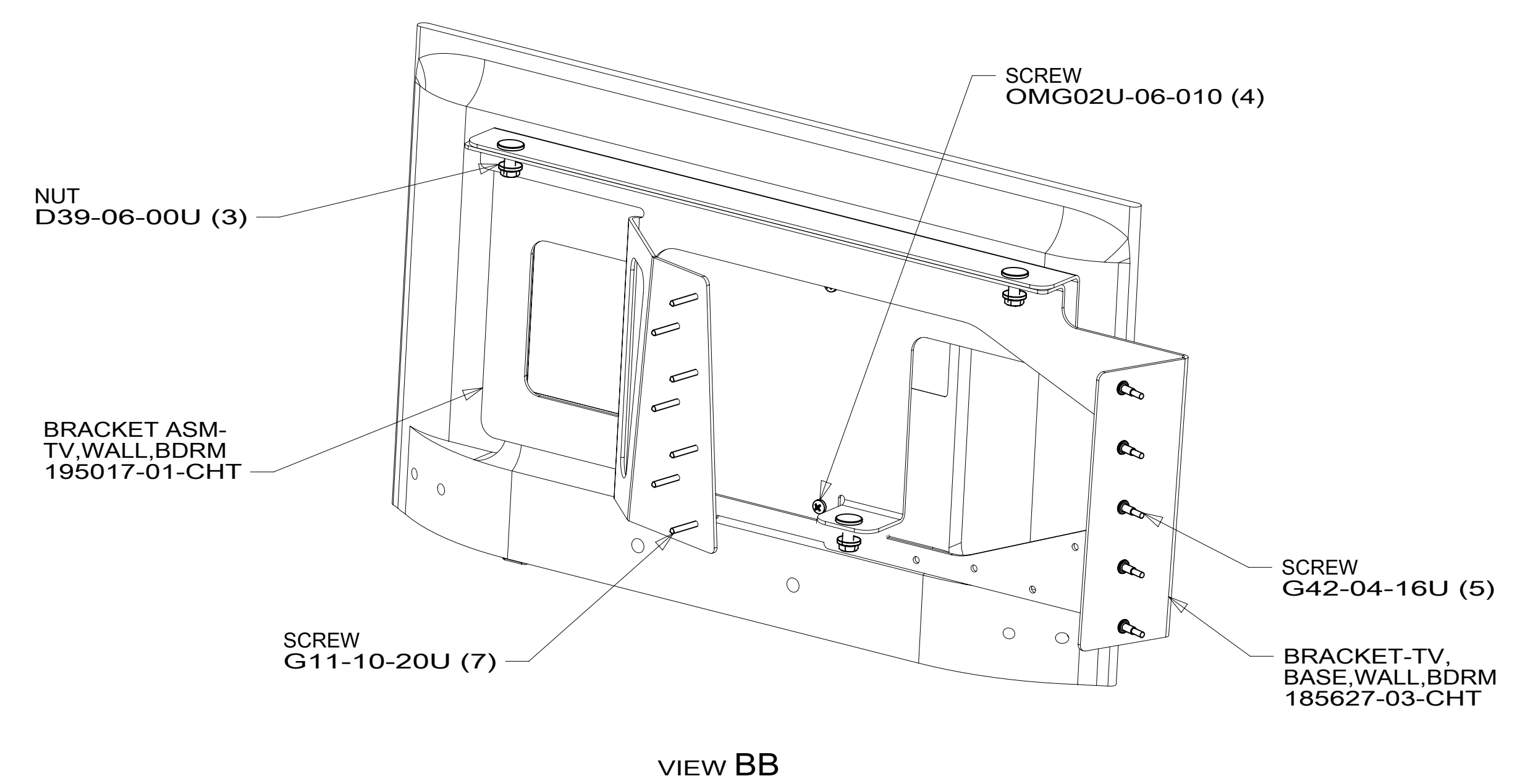
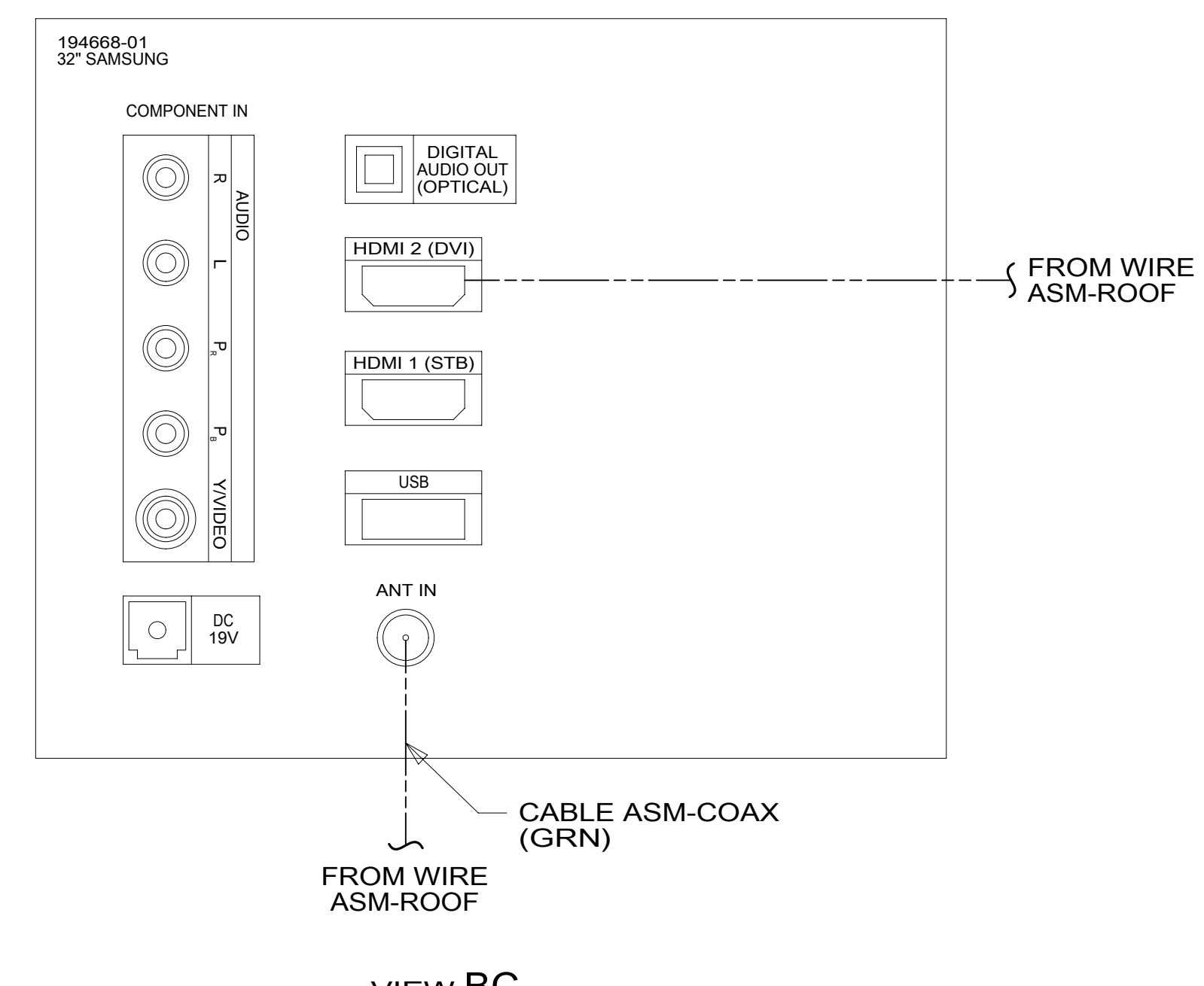
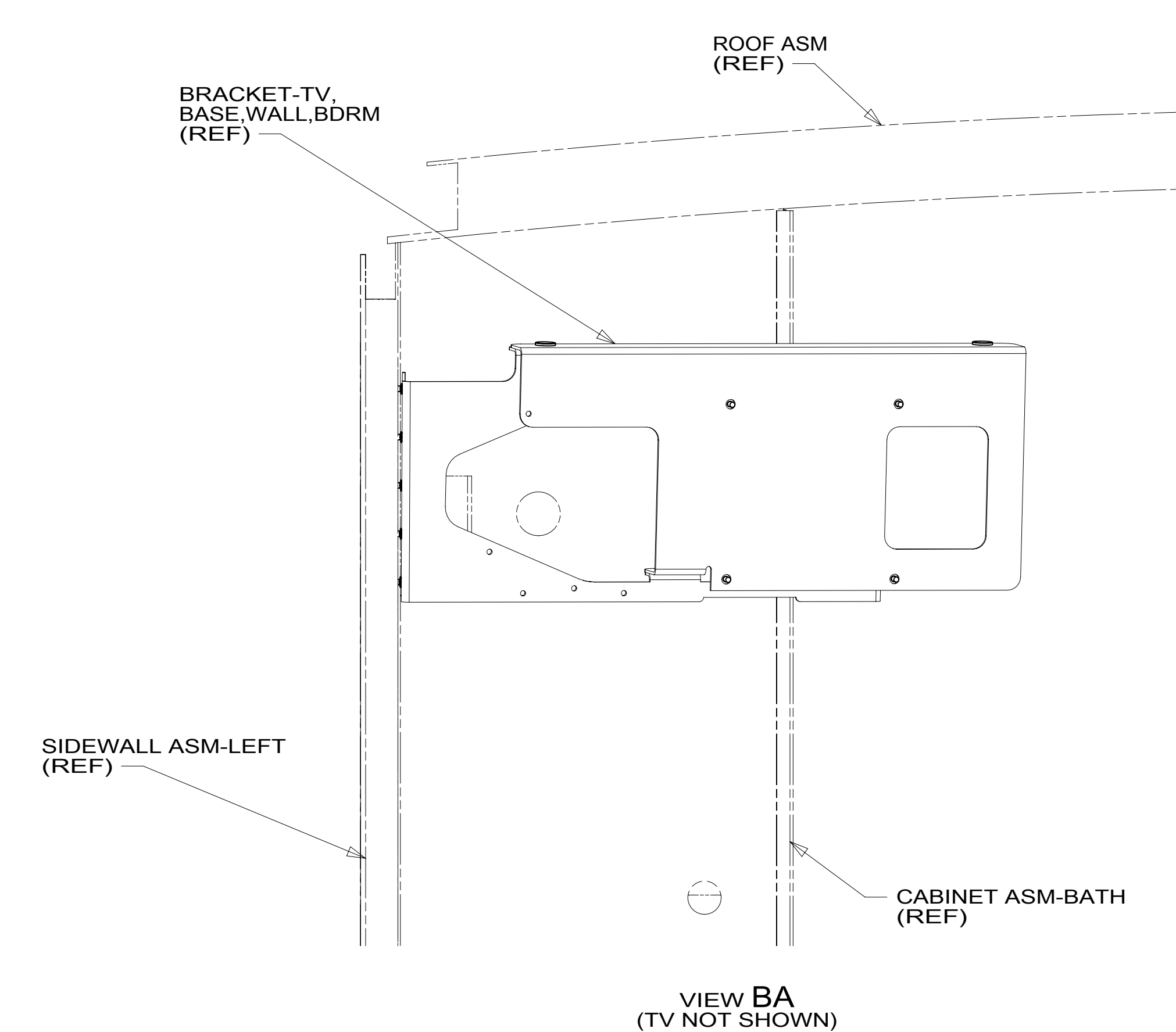
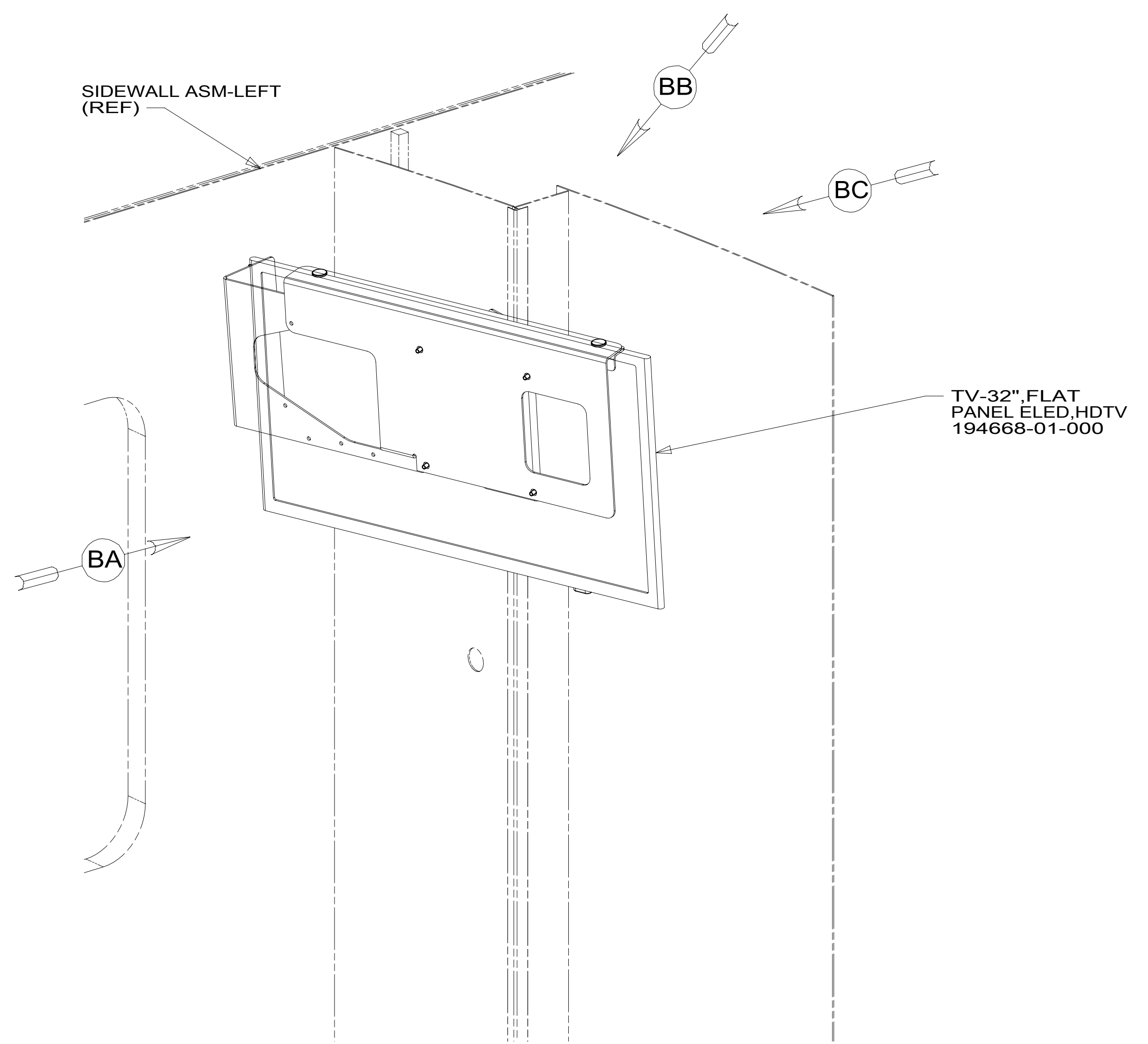
FOR ELECTRICAL
 TORQUE
 SPECIFICATIONS
 SEE DWG NO.
 128783-01-000

FOR ELECTRICAL
 CALLOUTS
 SEE DWG NO.
 121339-01-000

- NOTES:
- 2 USE TIE-WIRE 8343-01-000 TO SUPPORT WIRE HERE.
 - 1 INTERIOR CONTROL CONNECTS TO SATELLITE DATA CABLE. SEE ROOF ASM FOR ADDITIONAL INFORMATION.

8 7 6 5 4 3 2 1

8 7 6 5 4 3 2 1



265 CODES/STANDARDS-CSA/CMVSS

1B1 CODES/STANDARDS USA

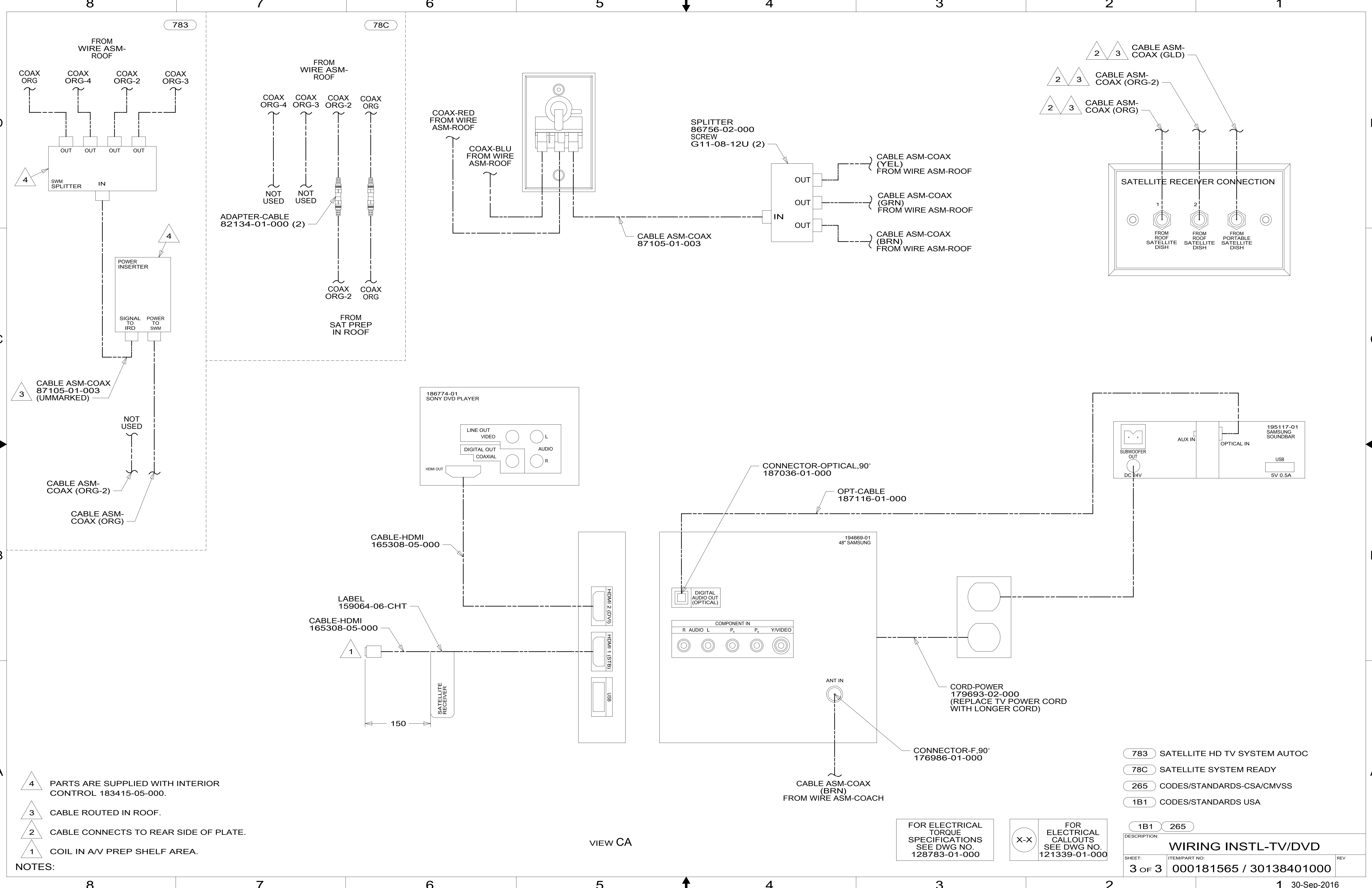
FOR ELECTRICAL TORQUE SPECIFICATIONS SEE DWG NO. 128783-01-000

X-X

FOR ELECTRICAL CALLOUTS SEE DWG NO. 121339-01-000

DESCRIPTION:		
1B1 265		
WIRING INSTL-TV/DVD		
SHEET:	ITEM/PART NO.:	REV
2 OF 3	000181565 / 30138401000	

8 7 6 5 4 3 2 1 30-Sep-2016



- NOTES:**
- 4 PARTS ARE SUPPLIED WITH INTERIOR CONTROL 183415-05-000.
 - 3 CABLE ROUTED IN ROOF.
 - 2 CABLE CONNECTS TO REAR SIDE OF PLATE.
 - 1 COIL IN AV PREP SHELF AREA.

- 783 SATELLITE HD TV SYSTEM AUTOC
- 78C SATELLITE SYSTEM READY
- 265 CODES/STANDARDS-CSA/CMVSS
- 1B1 CODES/STANDARDS USA

FOR ELECTRICAL TORQUE SPECIFICATIONS SEE DWG NO. 128783-01-000

FOR ELECTRICAL CALLOUTS SEE DWG NO. 121339-01-000

DESCRIPTION:		1B1 265	
WIRING INSTL-TV/DVD			
SHEET:	ITEM/PART NO.:	REV	
3 OF 3	000181565 / 30138401000		