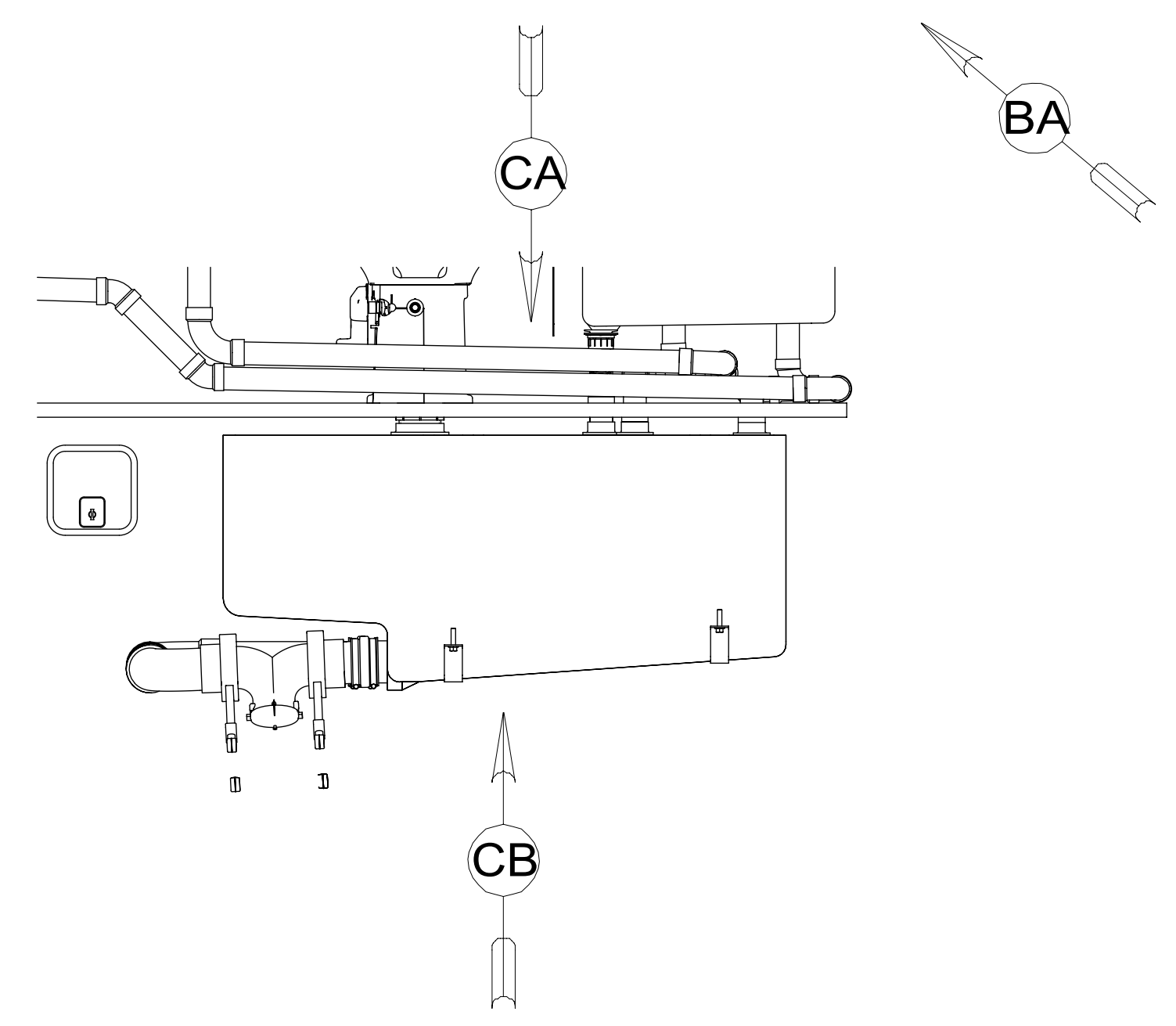
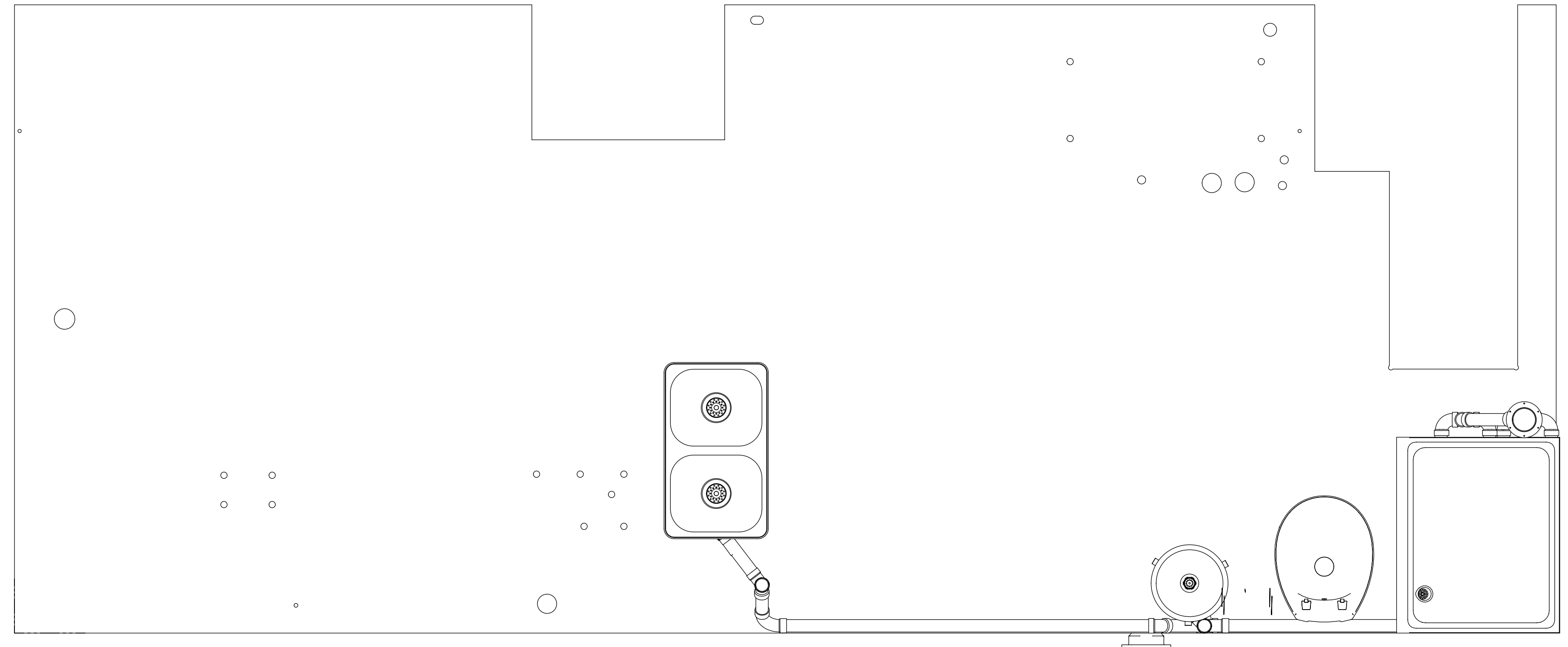
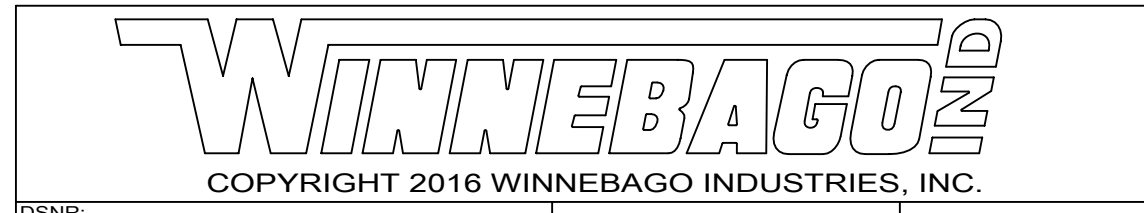


REV	ZONE	REVISION RECORD	DATE	DFTR-ORIG
A	---	INITIAL RELEASE	11/02/15	5049



- 12. CUT PART TO 90mm.
- 11. PREP THE SURFACE PER MANUFACTURERS INSTRUCTIONS BEFORE APPLYING THE HEATING PAD.
- 10. SEE WIRING INSTL-BODY FOR ELECTRICAL CONNECTION.
- 9. SEE DRAWING 061607 FOR INSTALLATION OF GROMMETS.
- 8. SECURE DRAINAGE PIPES TO CABINET USING WIRE TIE 108046-02-000, AND SCREW 000G67-10-12U AT INTERVALS OF NOT MORE THAN 4 FEET APART.
- 7. SECURE VENT PIPE TO FLOOR WITH CLAMP 062401-02-000 (2), SCREW 000G67-10-12U (2), BRACKET 136878-01-CHT (2).
- 6. VENT PIPE MUST PROJECT 51 MIN AND 64 MAX ABOVE ROOF FOR PROPER FIT AND FUNCTION. ADD S-1 (116666-01-CHT SEAL-VENT PIPE) AROUND PIPE ON ROOF BEFORE VENT CAP IS INSTALLED.
- 5. SEAL AROUND SHOWER WITH SILICONE.
- 4. USE SMOOTH PLUMBERS PUTTY 167459-01-000 TO SEAL STRAINER (0.2 PER STRAINER).
- 3. ~~SEAL DRAIN PIPES TO BE ASSEMBLED WITH SOLVENT 004020-01-000 (USA), 004020-02-000 (CAN)~~
- 2. ~~CLEAN DRAIN STRAINERS PER INSTRUCTIONS PER CLASS~~
- 1. ~~REMOVE DAILORS AND SPARK EDGES~~

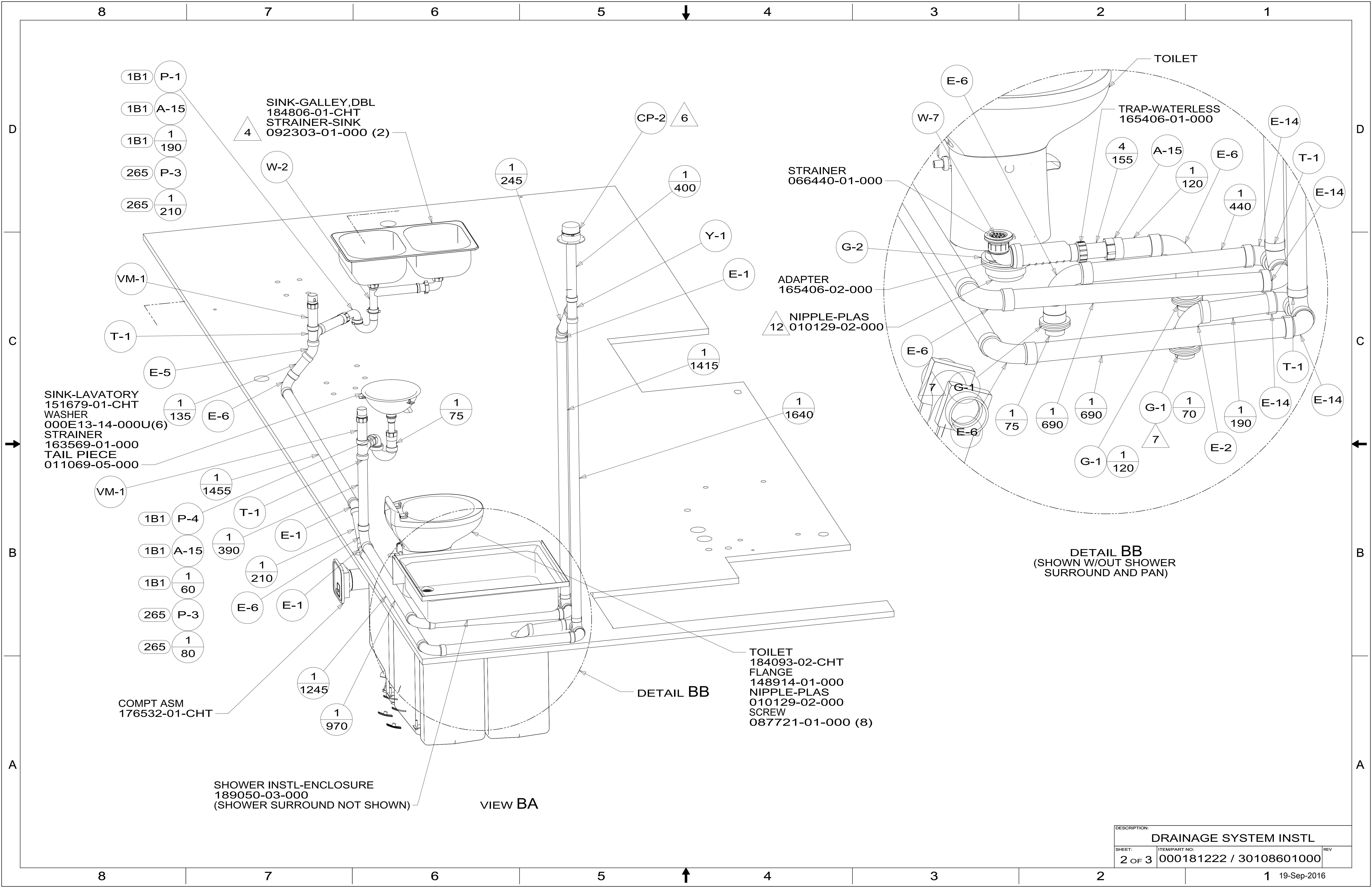
- 265 CODES/STANDARDS-CSA/CMVSS
- 23T DRAINAGE SYSTEM-HEATED
- 1B1 CODES/STANDARDS USA



DSNR:		ALL DIMENSIONS ARE IN MILLIMETERS	
DFTR:		MATERIAL:	
UNSPECIFIED TOLERANCES:			
WHOLE DIM (X)	3		
ONE-PLACE (X.X)	1.5		
TWO-PLACE (X.XX)	0.50		
ANGLE	1°		
REFER TO ES0018 FOR FASTENER TIGHTENING GUIDELINES		WEIGHT: (LBS)	FIRST USED: (REF)

FOR DRAINAGE CALLOUTS SEE DWG NO 116229-01-000

DESCRIPTION: DRAINAGE SYSTEM INSTL		
SHEET: 1 OF 3	ITEM/PART NO: 000181222 / 30108601000	REV:



DESCRIPTION:		
DRAINAGE SYSTEM INSTL		
SHEET:	ITEM/PART NO.:	REV
2 OF 3	000181222 / 30108601000	

FRONT AXLE

VEHICLE

1222

705

DATUM

VIEW CA

367

4680 (2)

35

TANK-HOLDING, 42 GAL
187581-02-000

PAD-HEATER
133972-04-000 (2) 10 11 23T

V-11

2
80

C-2

N-3

176
(2)

70

2
115

E-11

HANGER-STRAP
140220-07-CHT
BOLT
000C26-06-24U
NUT
000D39-06-00U

HOLDER-RING
141443-05-CHT
BOLT
000C26-05-16U
NUT
000D39-05-00U

E-13

23T
10 11 PAD-HEATER
133972-05-000 (2)

2
340

C-2

N-3

TANK-HOLDING
187581-03-000

STRAP-HLDG TANK MTG
153148-24-CHT (4)
BOLT
000C26-06-24U (6)

70

VIEW CB

DESCRIPTION:		
DRAINAGE SYSTEM INSTL		
SHEET:	ITEM/PART NO:	REV
3 OF 3	000181222 / 30108601000	