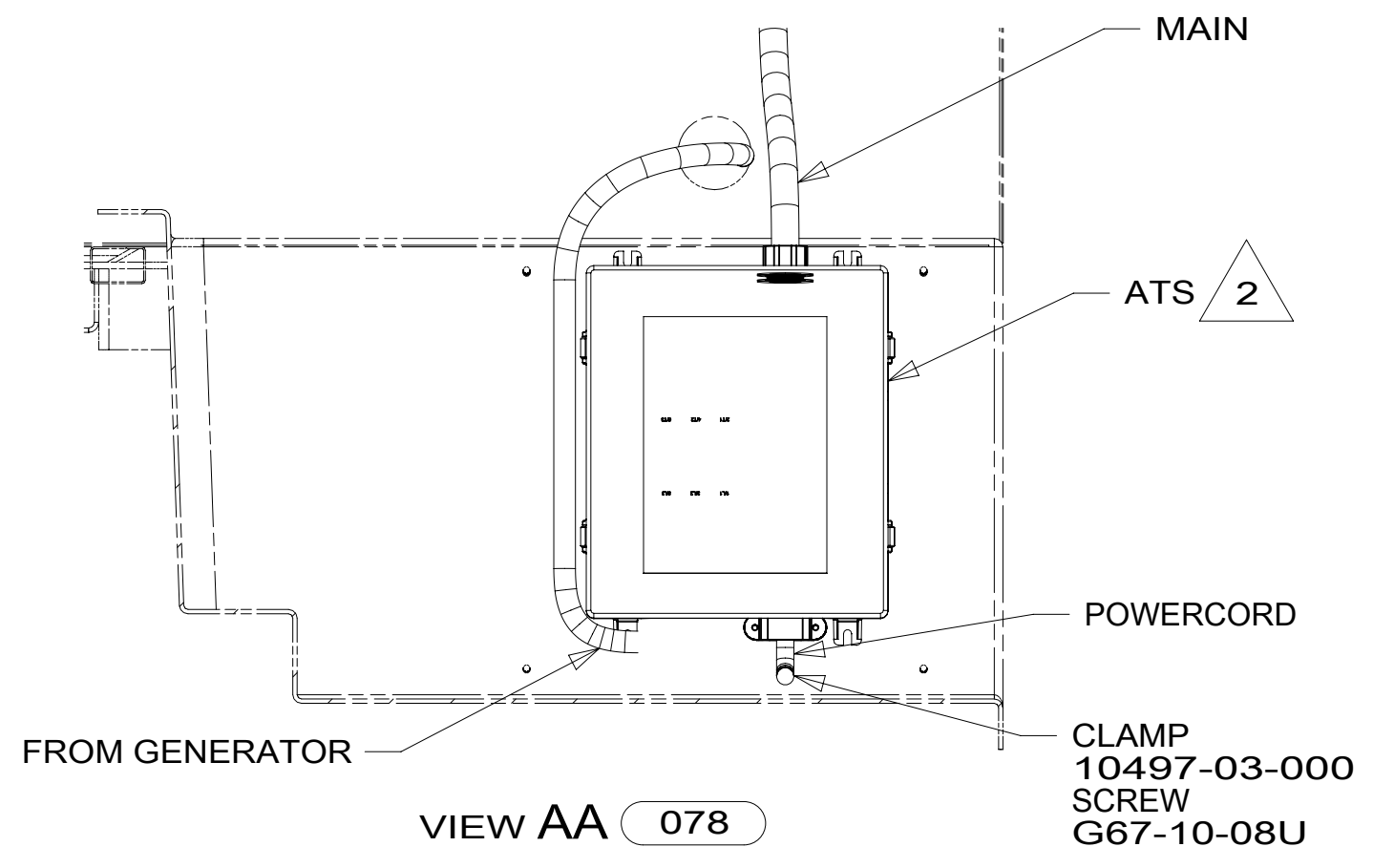
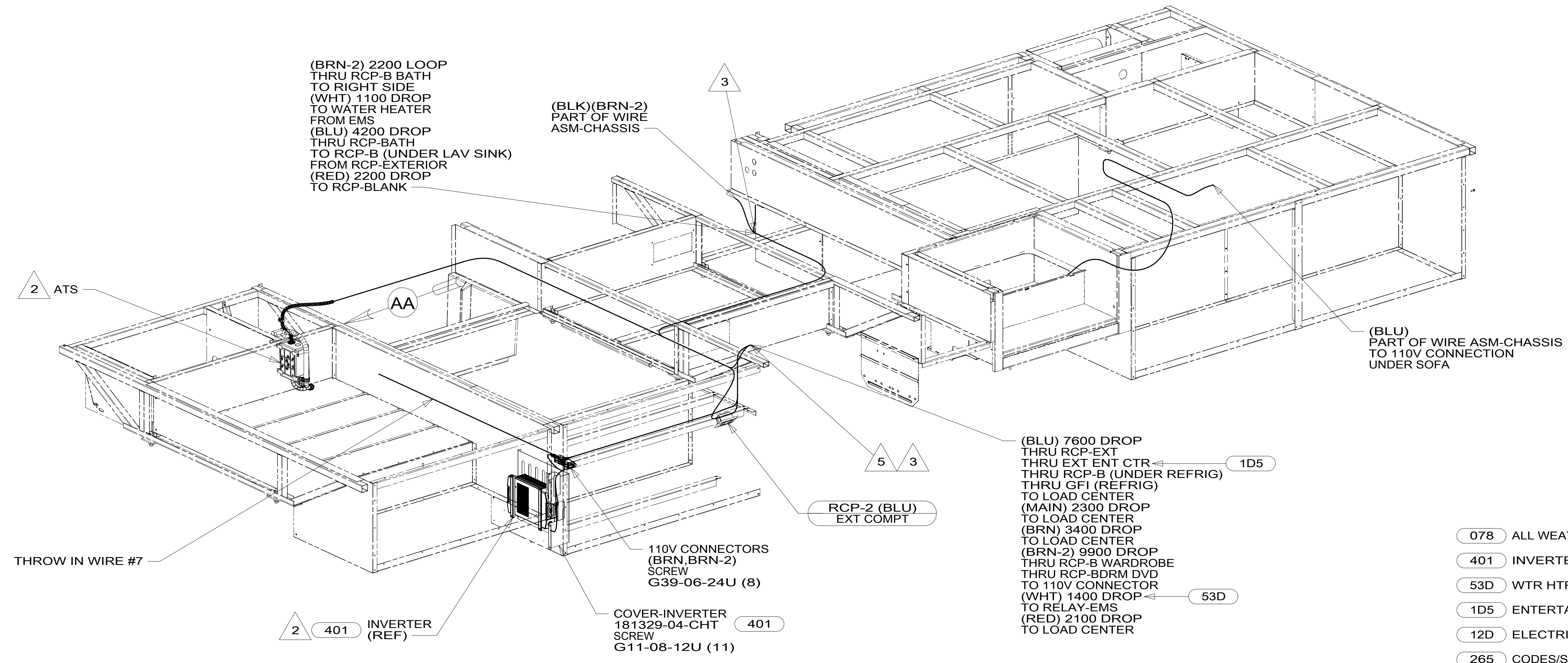
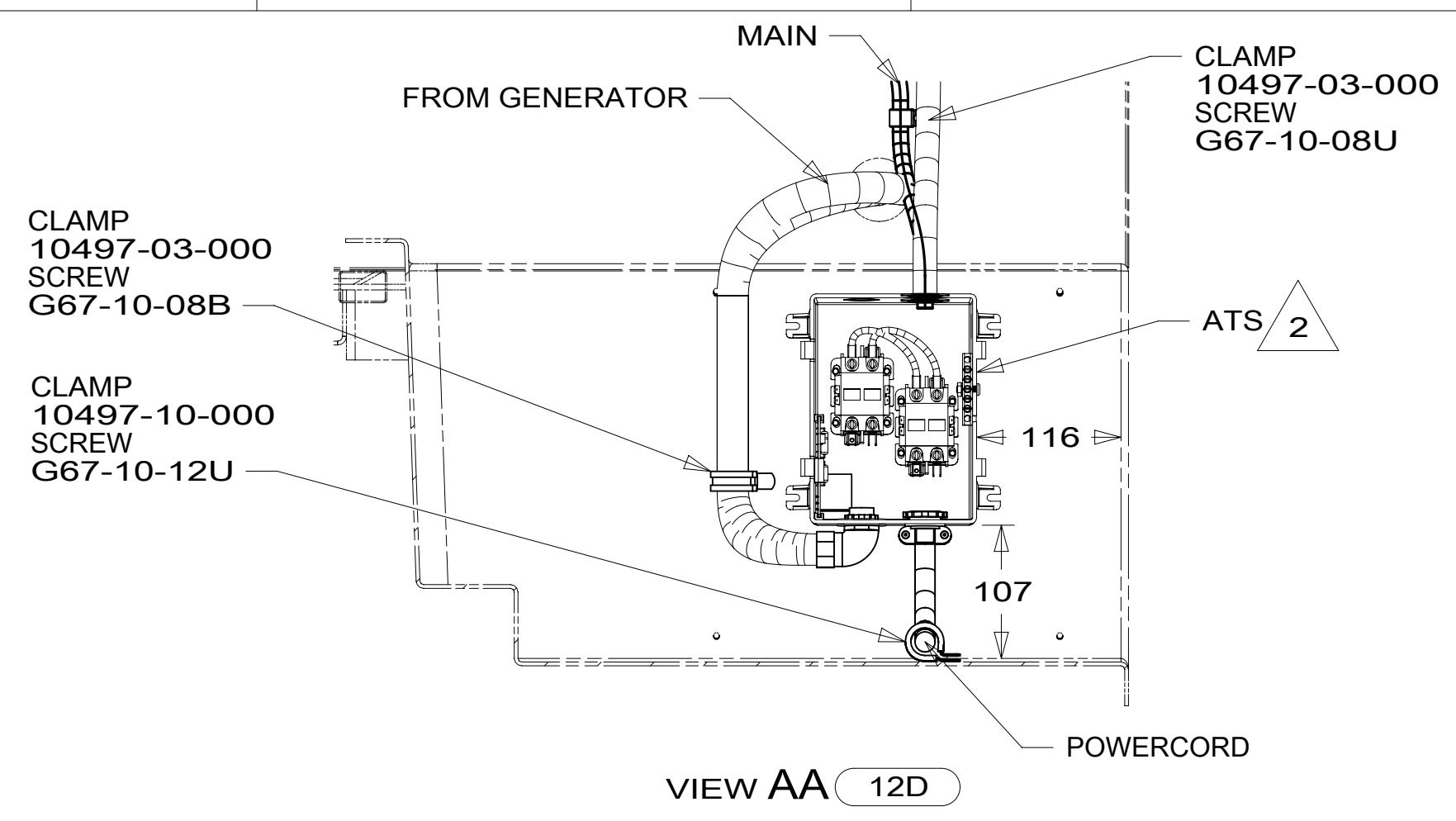


DRAWING NO.	FEATURE
301911-01	----
301911-11	1B1 12D
301911-12	1B1 078
301911-15	265 12D
301911-16	265 078



- NOTES:
- 5 ROUTE GROUND WIRE FROM LOAD CENTER AND MODULE-ALS THROUGH FLOOR IN THIS AREA AND CONNECT TO GROUND STUD OF FRAME ASM.
 - 4. AT MINIMUM ALL WIRES TO BE SUPPORTED AND SECURED PER CODE REQUIREMENTS. USE CLAMP 10495 OR 10497 OR WIRE TIE 8343 OR 108046 AND SCREW G67-XX-XXX OR G56-XX-XXX AS APPROPRIATE FOR INSTALLATION.
 - 3 WIRE ROUTED THROUGH FLOOR IN THIS AREA.
 - 2 SEE LOAD CENTER/ATS FOR ADDITIONAL INFORMATION.
 - 1. WIRES ROUTED UNDER FLOOR.

- 078 ALL WEATHER UPGRADE PACKAGE
- 401 INVERTER-DC/AC, 1000 WATT
- 53D WTR HTR-6GAL/ELE/LP/MOTORAID
- 1D5 ENTERTAINMENT CENTR/EXT W/CD
- 12D ELECTRICAL SYSTEM 30 AMP
- 265 CODES/STANDARDS-CSA/CMVSS
- 1B1 CODES/STANDARDS USA

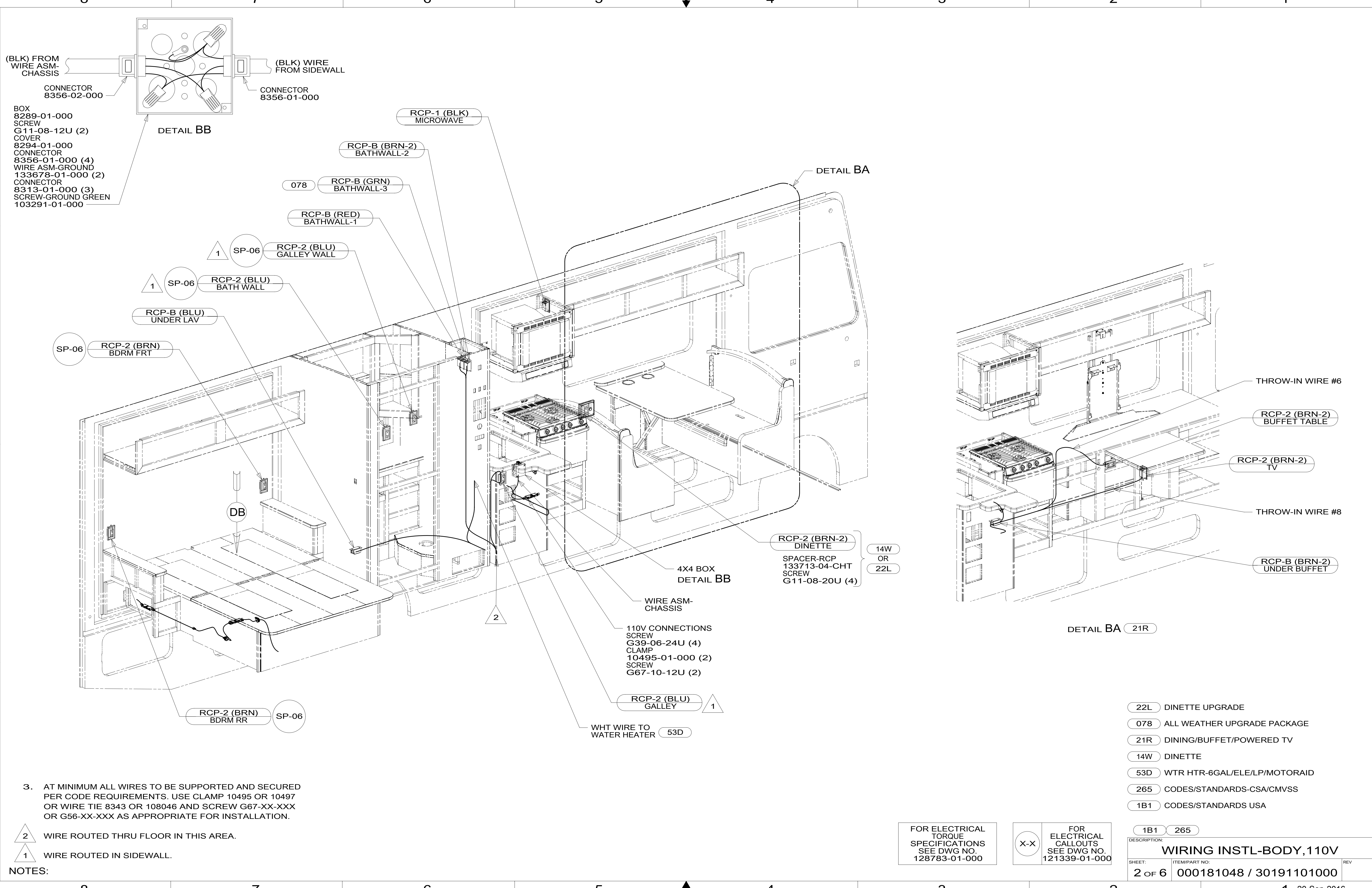
WINNEBAGO
COPYRIGHT 2016 WINNEBAGO INDUSTRIES, INC.

DSNR:	ALL DIMENSIONS ARE IN MILLIMETERS	
DFFR:	MATERIAL:	
UNSPECIFIED TOLERANCES:		
WHOLE DIM (X) :	3	
ONE-PLACE (X.X) :	1.5	
TWO-PLACE (X.XX) :	0.50	
ANGLE :	1°	
REFER TO ES0018 FOR FASTENER TIGHTENING GUIDELINES	WEIGHT: (LBS)	FIRST USED:
DESCRIPTION: WIRING INSTL-BODY, 110V		
SHEET: 1 OF 6	ITEM/PART NO: 000181048 / 30191101000	REV:
REF:		1 20-Sep-2016

FOR ELECTRICAL TORQUE SPECIFICATIONS SEE DWG NO. 128783-01-000

FOR ELECTRICAL CALLOUTS SEE DWG NO. 121339-01-000

301911



- BOX 8289-01-000
- SCREW G11-08-12U (2)
- COVER 8294-01-000
- CONNECTOR 8356-01-000 (4)
- WIRE ASM-GROUND 133678-01-000 (2)
- CONNECTOR 8313-01-000 (3)
- SCREW-GROUND GREEN 103291-01-000

3. AT MINIMUM ALL WIRES TO BE SUPPORTED AND SECURED PER CODE REQUIREMENTS. USE CLAMP 10495 OR 10497 OR WIRE TIE 8343 OR 108046 AND SCREW G67-XX-XXX OR G56-XX-XXX AS APPROPRIATE FOR INSTALLATION.

- 2 WIRE ROUTED THRU FLOOR IN THIS AREA.
- 1 WIRE ROUTED IN SIDEWALL.

NOTES:

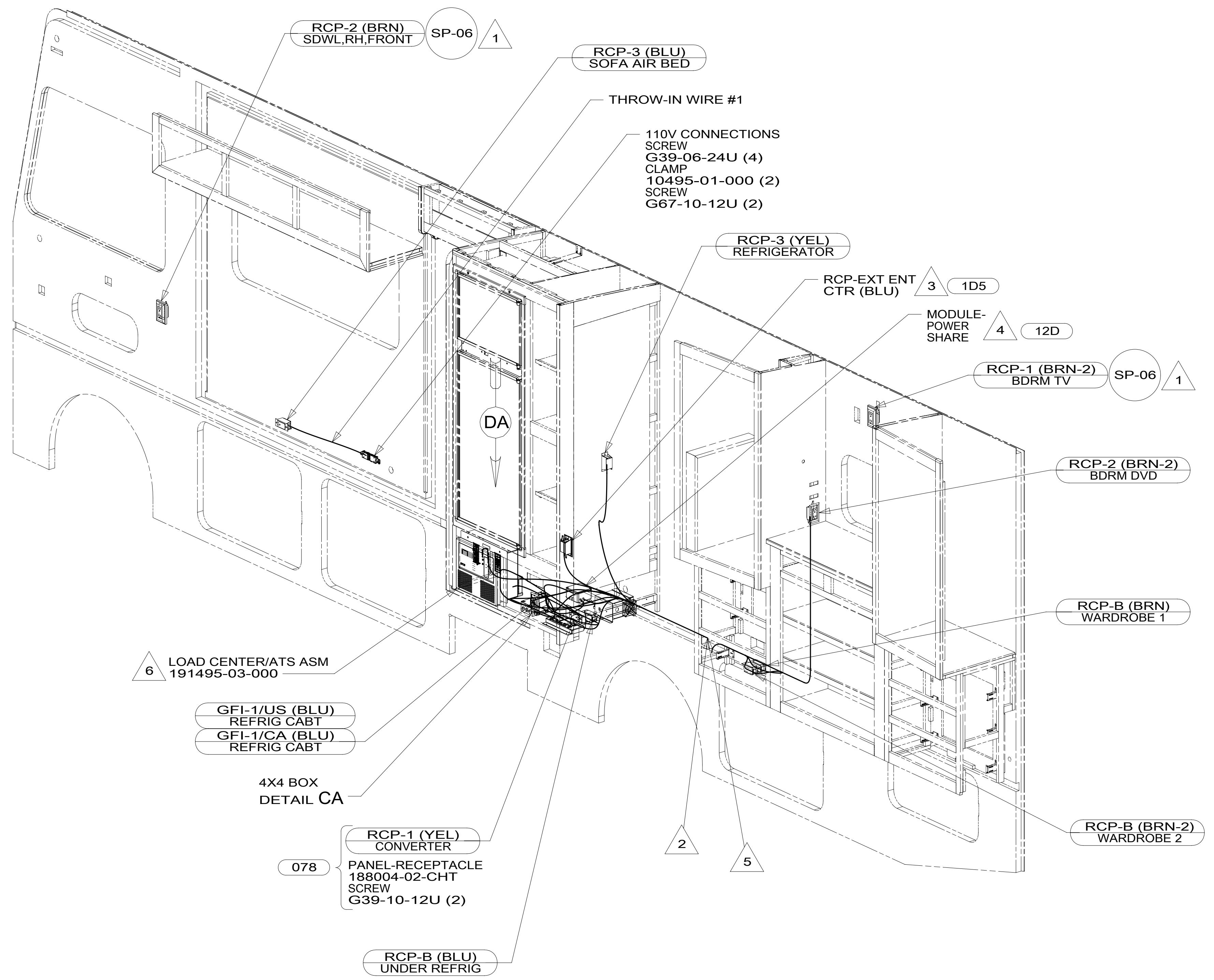
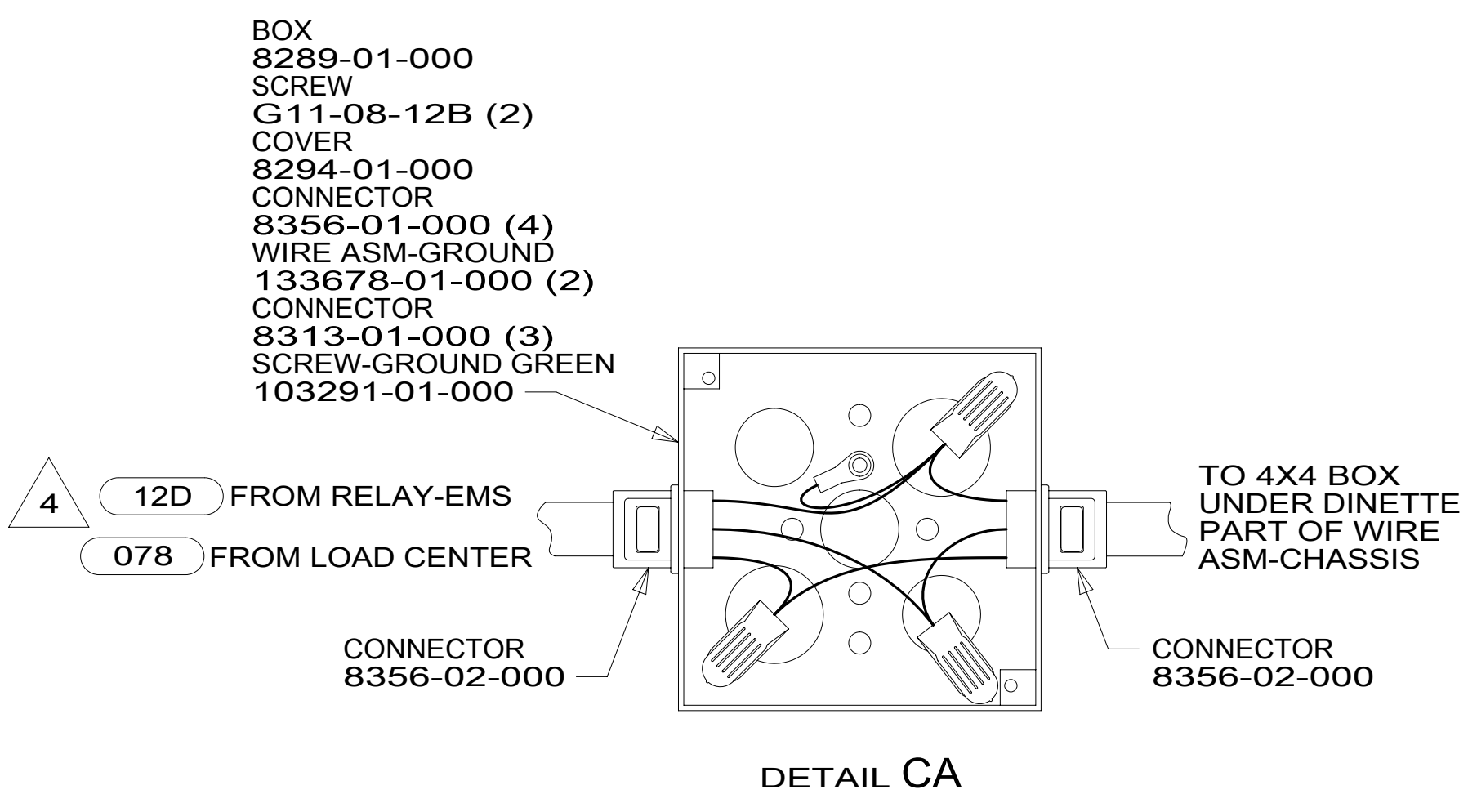
- 22L DINETTE UPGRADE
- 078 ALL WEATHER UPGRADE PACKAGE
- 21R DINING/BUFFET/POWERED TV
- 14W DINETTE
- 53D WTR HTR-6GAL/ELE/LP/MOTORAID
- 265 CODES/STANDARDS-CSA/CMVSS
- 1B1 CODES/STANDARDS USA

FOR ELECTRICAL TORQUE SPECIFICATIONS SEE DWG NO. 128783-01-000

FOR ELECTRICAL CALLOUTS SEE DWG NO. 121339-01-000

DESCRIPTION:	1B1 265	
WIRING INSTL-BODY, 110V		
SHEET:	ITEM/PART NO.:	REV:
2 OF 6	000181048 / 30191101000	

301911



7. AT MINIMUM ALL WIRES TO BE SUPPORTED AND SECURED PER CODE REQUIREMENTS. USE CLAMP 10495 OR 10497 OR WIRE TIE 8343 OR 108046 AND SCREW G67-XX-XXX OR G56-XX-XXX AS APPROPRIATE FOR INSTALLATION.
- 6 LOAD CENTER GROUND WIRES MUST BE ATTACHED DIRECTLY TO CHASSIS GROUND.
- 5 WIRES ROUTED THROUGH FLOOR IN THIS AREA.
- 4 SEE LOAD CENTER/ATS ASM FOR ADDITIONAL INFORMATION.
- 3 SEE ENTERTAINMENT CENTER COMPL FOR ADDITIONAL INFORMATION.
- 2 ROUTE GROUND WIRE (8 GA GRN) FROM LOAD CENTER THROUGH FLOOR TO GROUND BOLT ON CHASSIS FRAME RAIL.
- 1 WIRE ROUTED IN SIDEWALL.

NOTES:

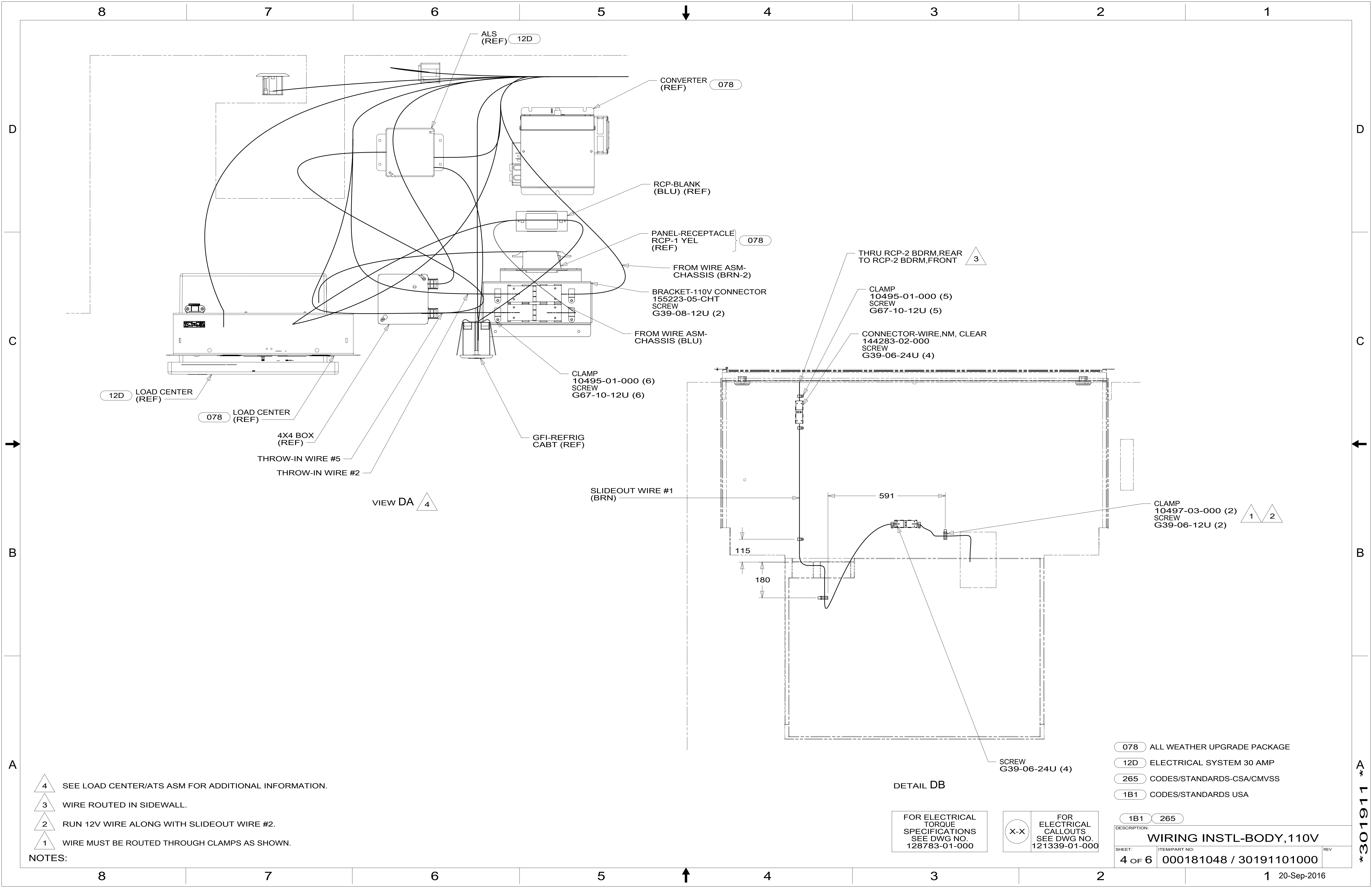
- 12D ELECTRICAL SYSTEM 30 AMP
- 078 ALL WEATHER UPGRADE PACKAGE
- 1D5 ENTERTAINMENT CENTR/EXT W/CD
- 265 CODES/STANDARDS-CSA/CMVSS
- 1B1 CODES/STANDARDS USA

FOR ELECTRICAL TORQUE SPECIFICATIONS SEE DWG NO. 128783-01-000

FOR ELECTRICAL CALLOUTS SEE DWG NO. 121339-01-000

DESCRIPTION:	1B1 265	
WIRING INSTL-BODY, 110V		
SHEET:	ITEM/PART NO:	REV
3 OF 6	000181048 / 30191101000	

301911



- NOTES:
- 4 SEE LOAD CENTER/ATS ASM FOR ADDITIONAL INFORMATION.
 - 3 WIRE ROUTED IN SIDEWALL.
 - 2 RUN 12V WIRE ALONG WITH SLIDEOUT WIRE #2.
 - 1 WIRE MUST BE ROUTED THROUGH CLAMPS AS SHOWN.

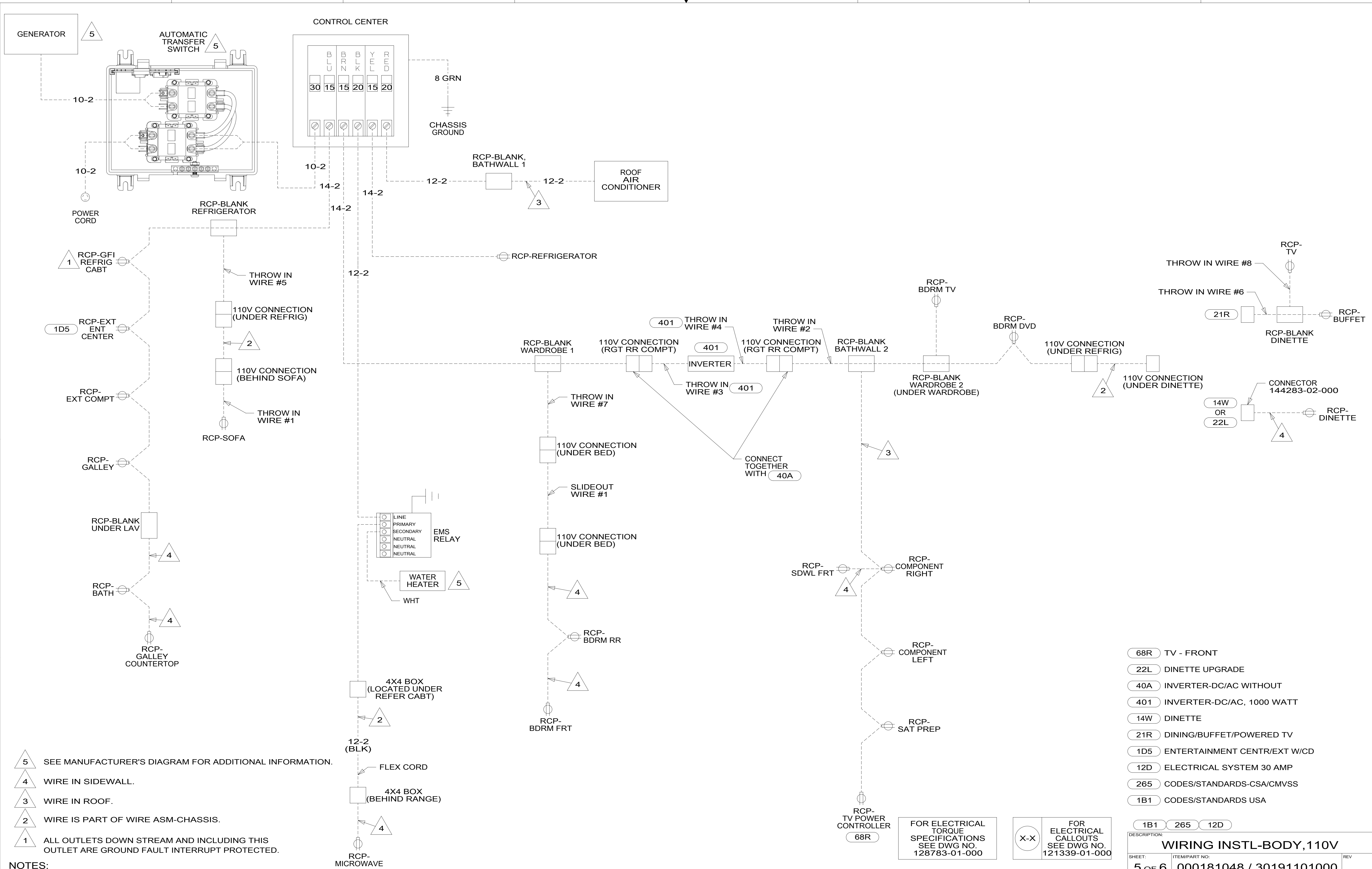
FOR ELECTRICAL TORQUE SPECIFICATIONS SEE DWG NO. 128783-01-000

FOR ELECTRICAL CALLOUTS SEE DWG NO. 121339-01-000

- 078 ALL WEATHER UPGRADE PACKAGE
- 12D ELECTRICAL SYSTEM 30 AMP
- 265 CODES/STANDARDS-CSA/CMVSS
- 1B1 CODES/STANDARDS USA

DESCRIPTION:		
WIRING INSTL-BODY, 110V		
SHEET:	ITEM/PART NO.:	REV:
4 OF 6	000181048 / 30191101000	

301911



- NOTES:**
- 5 SEE MANUFACTURER'S DIAGRAM FOR ADDITIONAL INFORMATION.
 - 4 WIRE IN SIDEWALL.
 - 3 WIRE IN ROOF.
 - 2 WIRE IS PART OF WIRE ASM-CHASSIS.
 - 1 ALL OUTLETS DOWN STREAM AND INCLUDING THIS OUTLET ARE GROUND FAULT INTERRUPT PROTECTED.

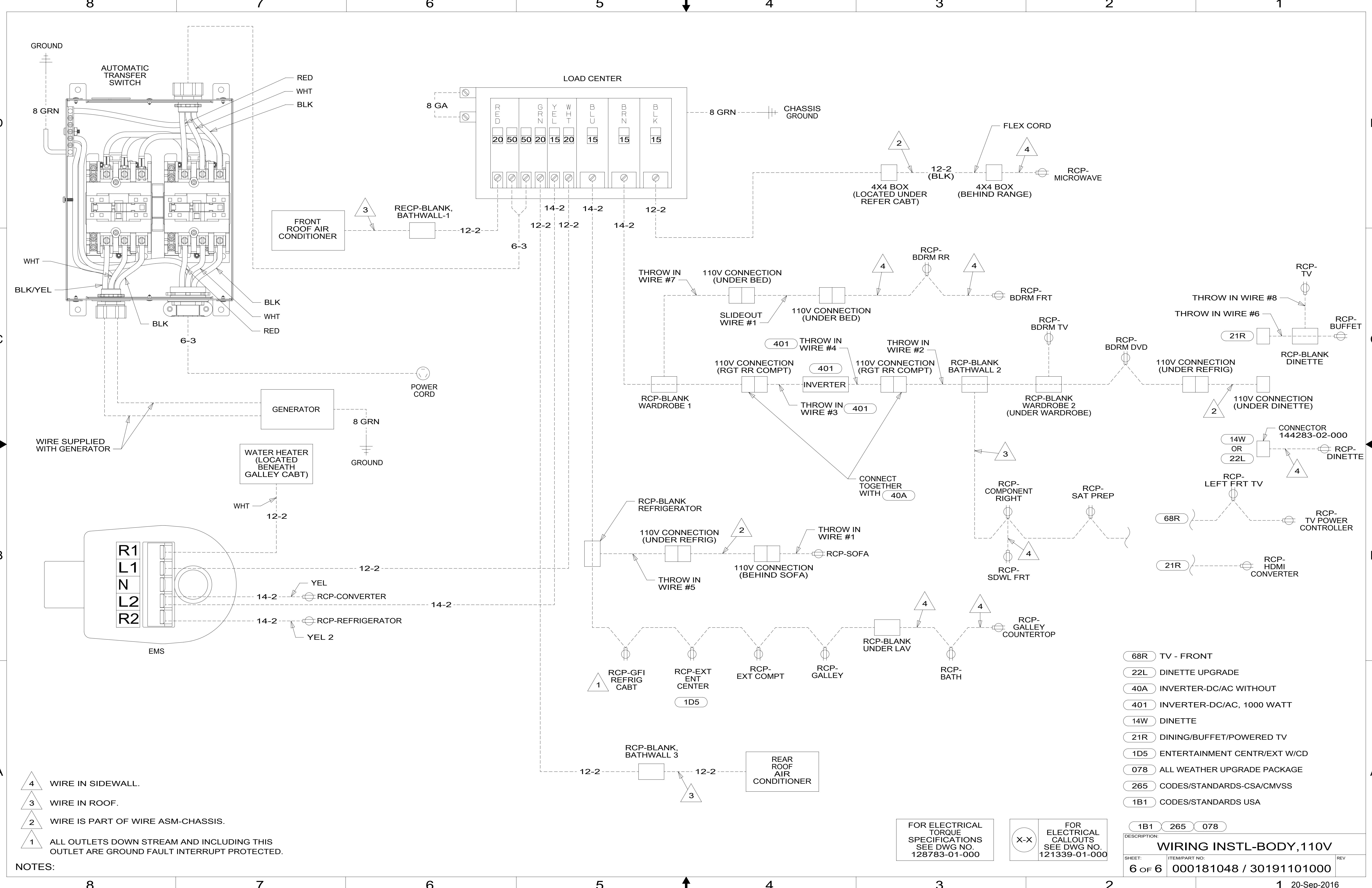
- 68R TV - FRONT
- 22L DINETTE UPGRADE
- 40A INVERTER-DC/AC WITHOUT
- 401 INVERTER-DC/AC, 1000 WATT
- 14W DINETTE
- 21R DINING/BUFFET/POWERED TV
- 1D5 ENTERTAINMENT CENTR/EXT W/CD
- 12D ELECTRICAL SYSTEM 30 AMP
- 265 CODES/STANDARDS-CSA/CMVSS
- 1B1 CODES/STANDARDS USA

FOR ELECTRICAL TORQUE SPECIFICATIONS SEE DWG NO. 128783-01-000

FOR ELECTRICAL CALLOUTS SEE DWG NO. 121339-01-000

DESCRIPTION:		
1B1	265	12D
WIRING INSTL-BODY, 110V		
SHEET:	ITEM/PART NO.:	REV
5 OF 6	000181048 / 30191101000	

301911



- NOTES:
- 4 WIRE IN SIDEWALL.
 - 3 WIRE IN ROOF.
 - 2 WIRE IS PART OF WIRE ASM-CHASSIS.
 - 1 ALL OUTLETS DOWN STREAM AND INCLUDING THIS OUTLET ARE GROUND FAULT INTERRUPT PROTECTED.

- 68R TV - FRONT
- 22L DINETTE UPGRADE
- 40A INVERTER-DC/AC WITHOUT
- 401 INVERTER-DC/AC, 1000 WATT
- 14W DINETTE
- 21R DINING/BUFFET/POWERED TV
- 1D5 ENTERTAINMENT CENTR/EXT W/CD
- 078 ALL WEATHER UPGRADE PACKAGE
- 265 CODES/STANDARDS-CSA/CMVSS
- 1B1 CODES/STANDARDS USA

FOR ELECTRICAL TORQUE SPECIFICATIONS SEE DWG NO. 128783-01-000

FOR ELECTRICAL CALLOUTS SEE DWG NO. 121339-01-000

DESCRIPTION:	1B1 265 078	
WIRING INSTL-BODY, 110V		
SHEET:	ITEM/PART NO.:	REV
6 OF 6	000181048 / 30191101000	

301911