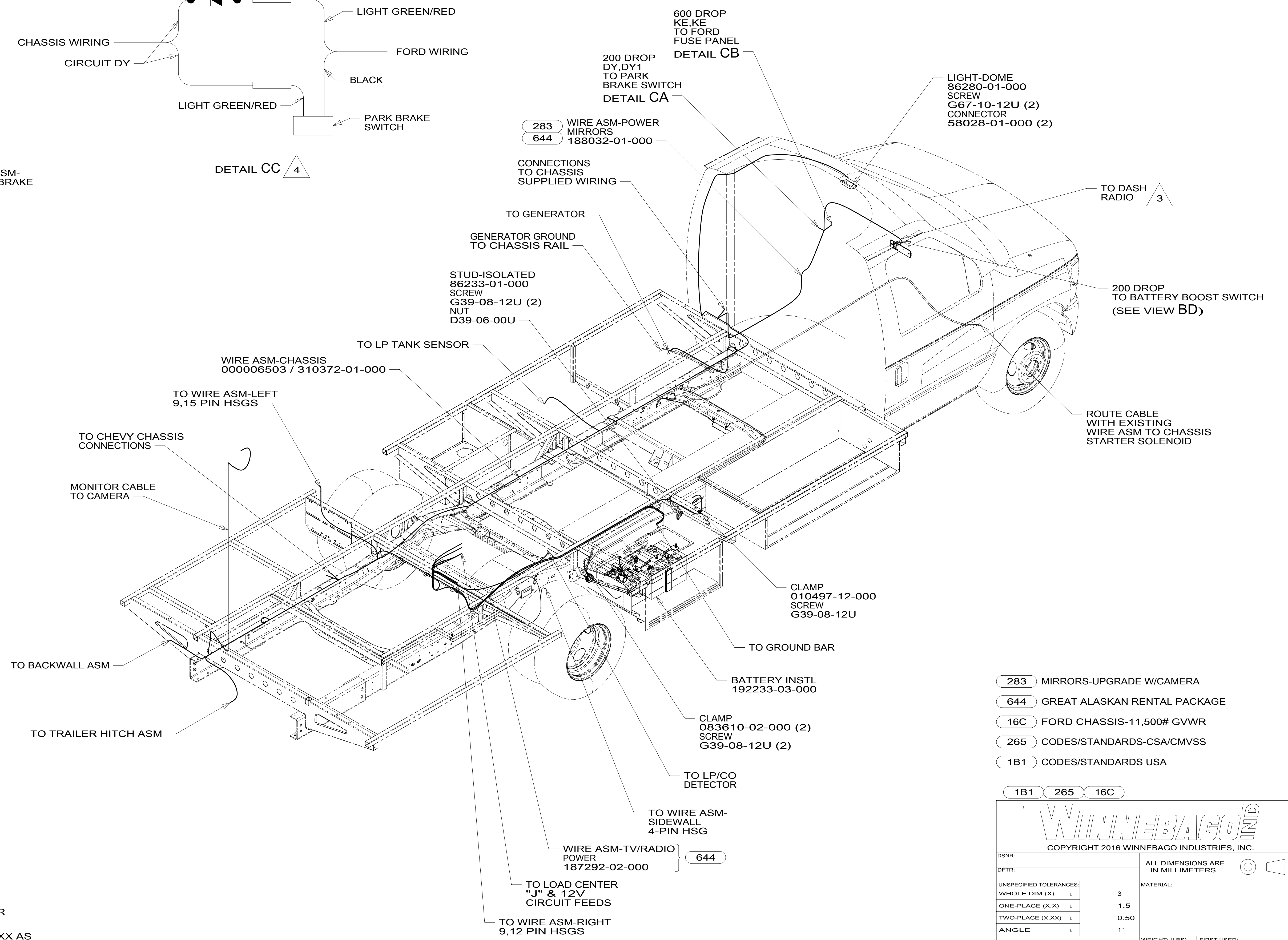
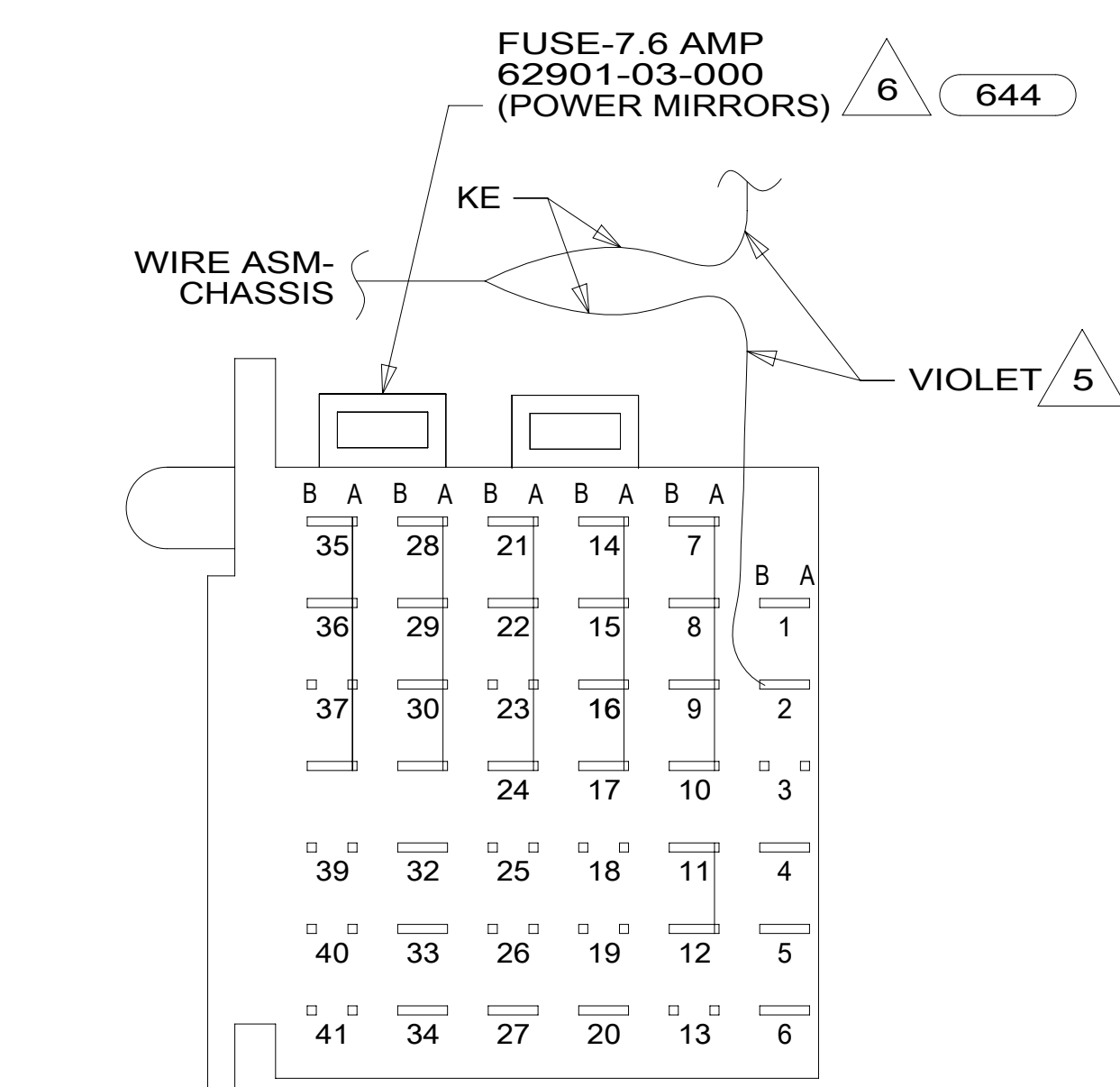
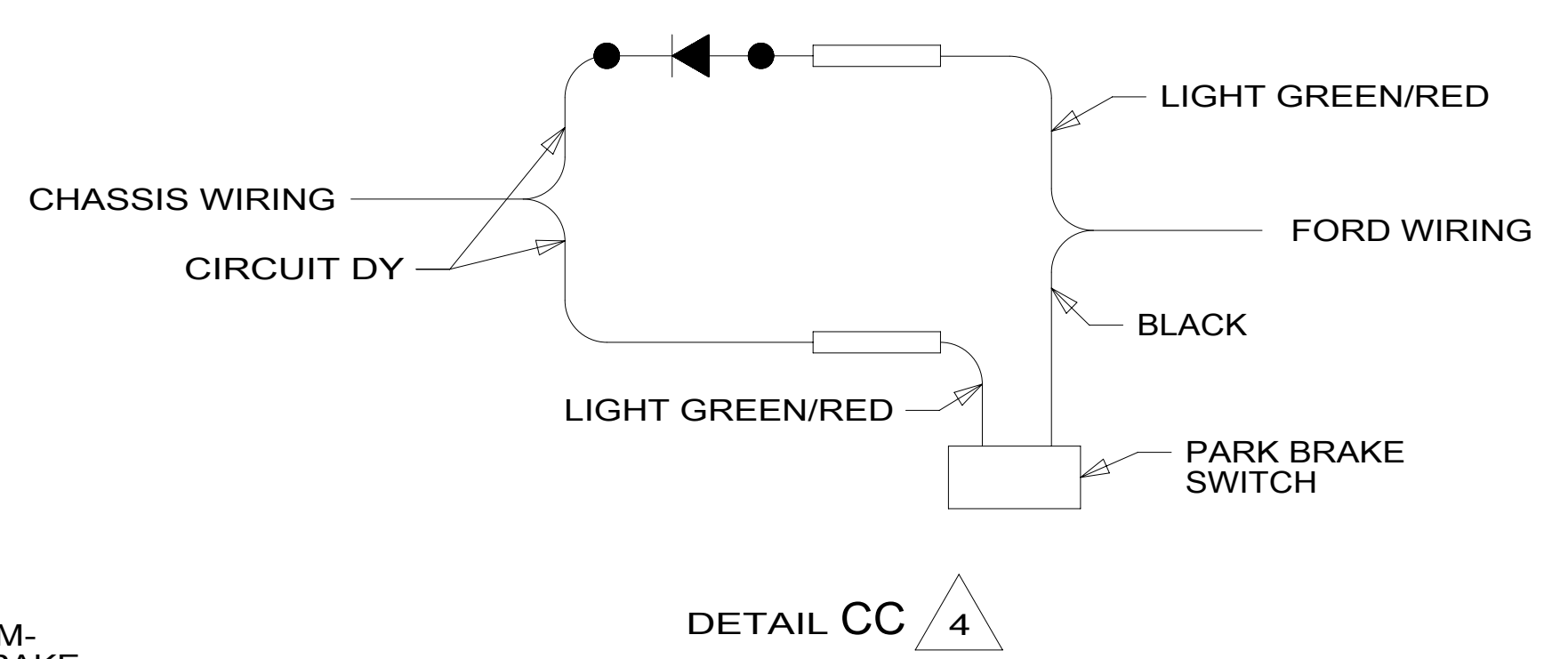
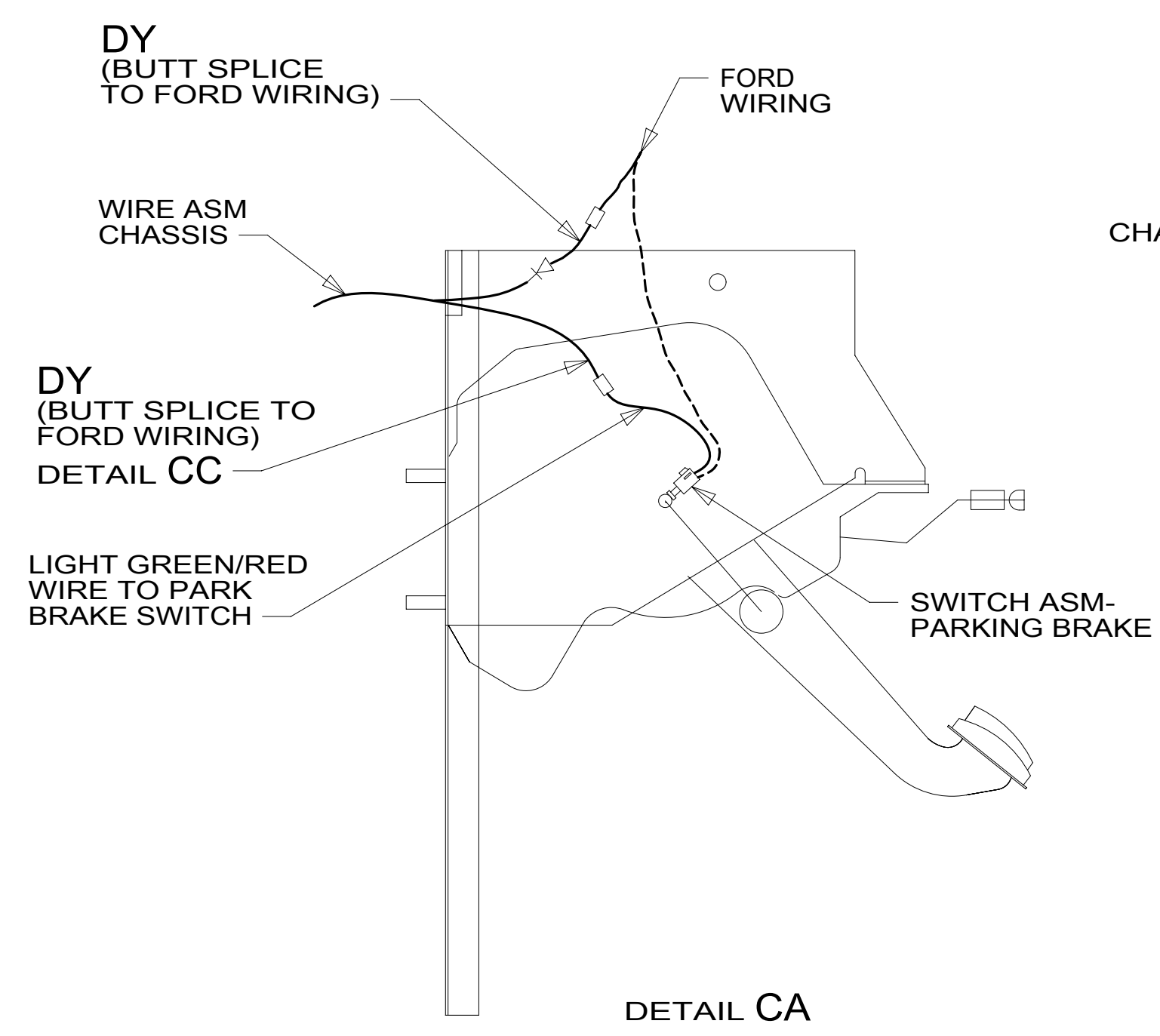


8 7 6 5 4 3 2 1



- △ 6 WIRING IS PART OF WIRE ASM-POWER MIRRORS.
- △ 5 CUT WIRE AND RECONNECT AS SHOWN.
- △ 4 CUT LIGHT GREEN/RED WIRE FROM PARK BRAKE SWITCH AND RECONNECT TO CIRCUIT DY OF CHASSIS ASM AS SHOWN.
- △ 3 SEE RADIO/MONITOR INSTL FOR ADDITIONAL INFORMATION.

2. AT MINIMUM ALL WIRES TO BE SUPPORTED AND SECURED PER CODE REQUIREMENTS. USE CLAMP 10495 OR 10497 OR WIRE TIE 8343 OR 108046 AND SCREW G67-XX-XXX OR G56-XX-XXX AS APPROPRIATE FOR INSTALLATION.
1. SECURE CONDUIT 41953, TAB AS REQUIRED, OVER ALL WIRES IN CONTACT WITH SHARP EDGES.

NOTES:

- 283 MIRRORS-UPGRADE W/CAMERA
- 644 GREAT ALASKAN RENTAL PACKAGE
- 16C FORD CHASSIS-11,500# GVWR
- 265 CODES/STANDARDS-CSA/CMVSS
- 1B1 CODES/STANDARDS USA

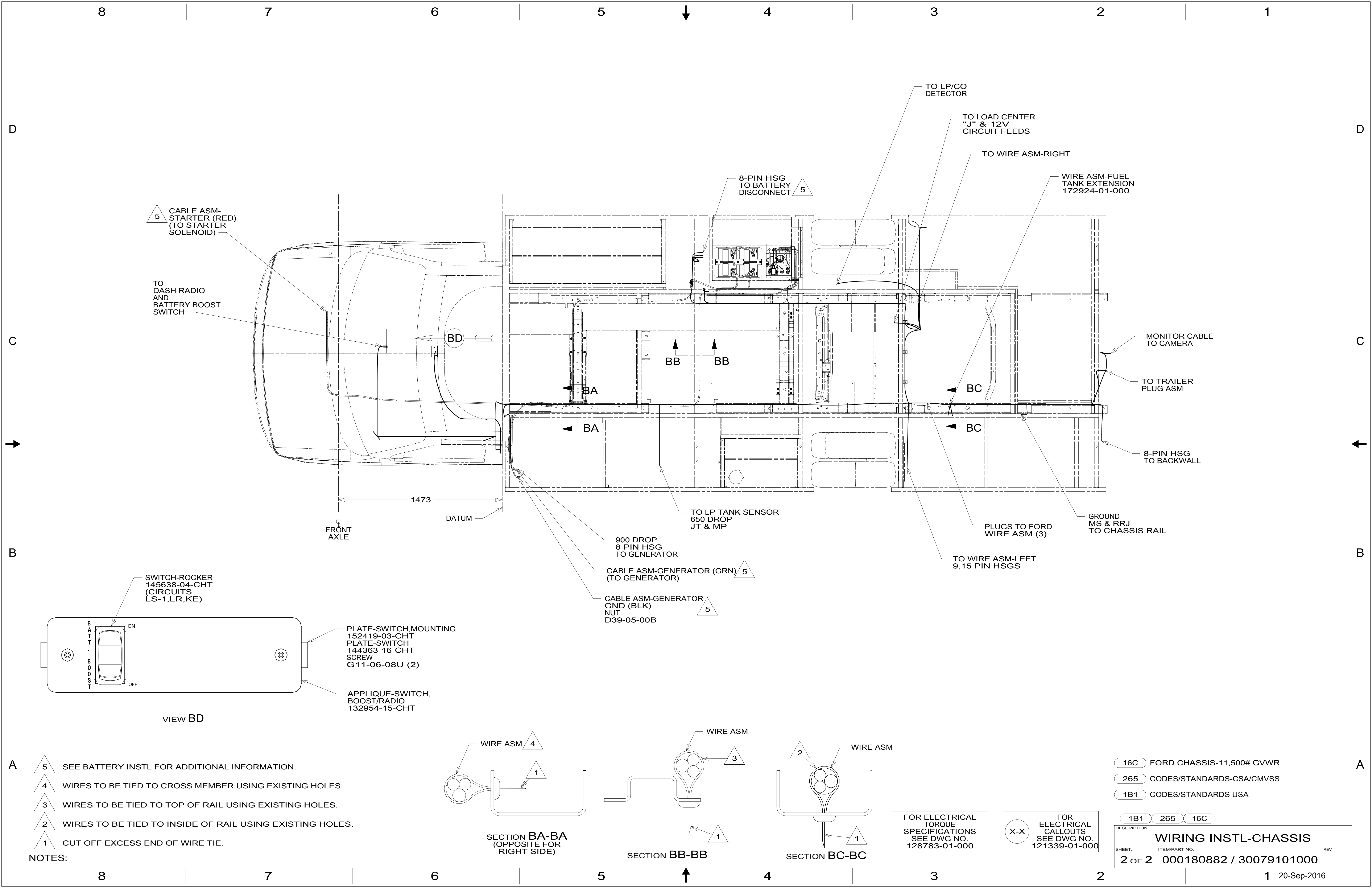
WINNEBAGO
COPYRIGHT 2016 WINNEBAGO INDUSTRIES, INC.

DSNR:	ALL DIMENSIONS ARE IN MILLIMETERS	
DFFR:		
UNSPECIFIED TOLERANCES:	MATERIAL:	
WHOLE DIM (X) :	3	
ONE-PLACE (X.X) :	1.5	
TWO-PLACE (X.XX) :	0.50	
ANGLE :	1°	
REFER TO ES0018 FOR FASTENER TIGHTENING GUIDELINES	WEIGHT: (LBS)	FIRST USED:
DESCRIPTION: WIRING INSTL-CHASSIS		
SHEET: 1 OF 2	ITEM/PART NO: 000180882 / 30079101000	REV:

FOR ELECTRICAL TORQUE SPECIFICATIONS SEE DWG NO. 128783-01-000

FOR ELECTRICAL CALLOUTS SEE DWG NO. 121339-01-000

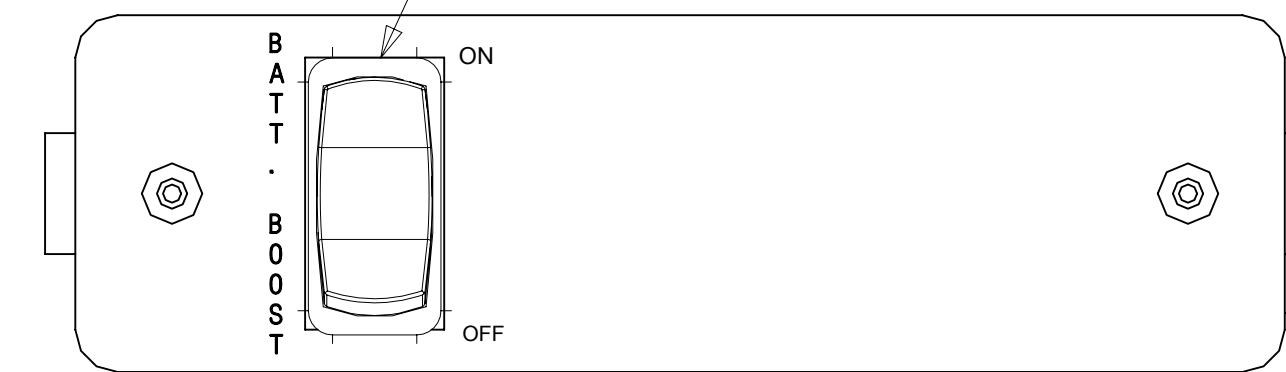
8 7 6 5 4 3 2 1



5 CABLE ASM-STARTER (RED) (TO STARTER SOLENOID)

TO DASH RADIO AND BATTERY BOOST SWITCH

SWITCH-ROCKER 145638-04-CHT (CIRCUITS LS-1,LR,KE)



VIEW BD

PLATE-SWITCH, MOUNTING 152419-03-CHT
 PLATE-SWITCH 144363-16-CHT
 SCREW G11-06-08U (2)

APPLIQUE-SWITCH, BOOST/RADIO 132954-15-CHT

1473

FRONT AXLE

DATUM

BA

BB

BB

BC

BC

8-PIN HSG TO BATTERY DISCONNECT 5

TO LP/CO DETECTOR

TO LOAD CENTER "J" & 12V CIRCUIT FEEDS

TO WIRE ASM-RIGHT

WIRE ASM-FUEL TANK EXTENSION 172924-01-000

MONITOR CABLE TO CAMERA

TO TRAILER PLUG ASM

8-PIN HSG TO BACKWALL

TO LP TANK SENSOR 650 DROP JT & MP

PLUGS TO FORD WIRE ASM (3)

GROUND MS & RRJ TO CHASSIS RAIL

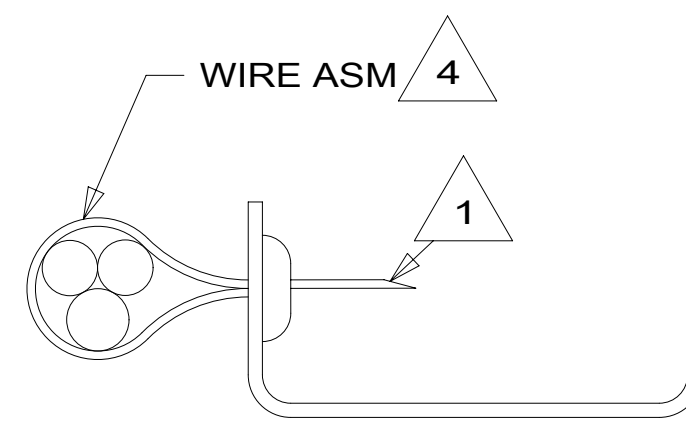
900 DROP 8 PIN HSG TO GENERATOR

CABLE ASM-GENERATOR (GRN) 5

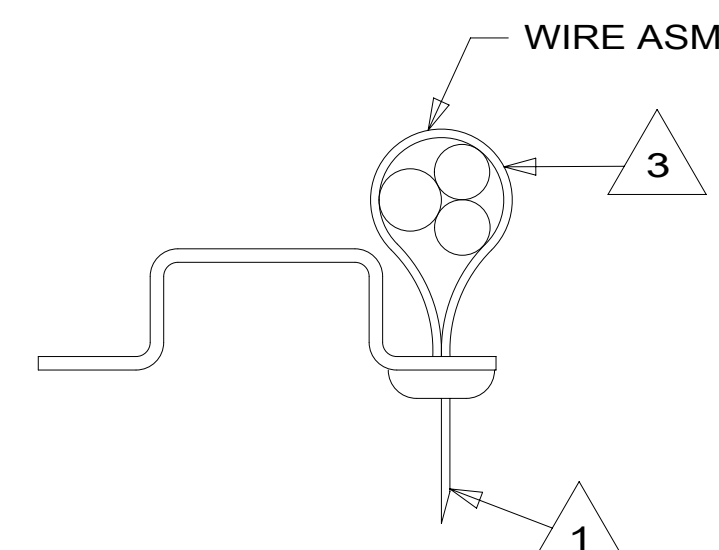
CABLE ASM-GENERATOR GND (BLK) NUT D39-05-00B 5

TO WIRE ASM-LEFT 9,15 PIN HSGS

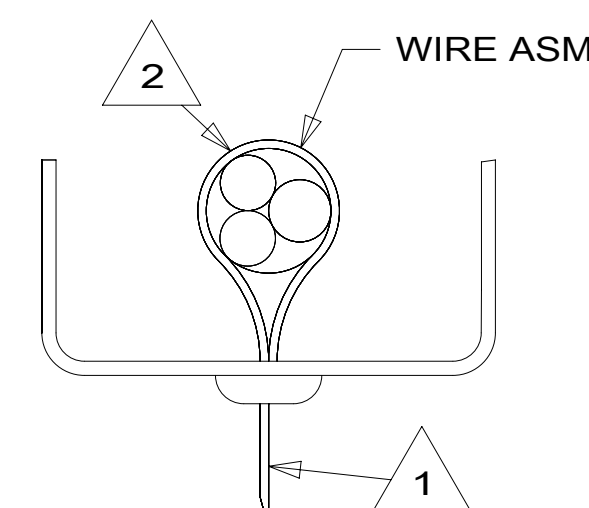
- NOTES:
- 5 SEE BATTERY INSTL FOR ADDITIONAL INFORMATION.
 - 4 WIRES TO BE TIED TO CROSS MEMBER USING EXISTING HOLES.
 - 3 WIRES TO BE TIED TO TOP OF RAIL USING EXISTING HOLES.
 - 2 WIRES TO BE TIED TO INSIDE OF RAIL USING EXISTING HOLES.
 - 1 CUT OFF EXCESS END OF WIRE TIE.



SECTION BA-BA (OPPOSITE FOR RIGHT SIDE)



SECTION BB-BB



SECTION BC-BC

FOR ELECTRICAL TORQUE SPECIFICATIONS SEE DWG NO. 128783-01-000

FOR ELECTRICAL CALLOUTS SEE DWG NO. 121339-01-000

- 16C FORD CHASSIS-11,500# GVWR
- 265 CODES/STANDARDS-CSA/CMVSS
- 1B1 CODES/STANDARDS USA

DESCRIPTION:	1B1 265 16C	
	WIRING INSTL-CHASSIS	
SHEET:	ITEM/PART NO:	REV:
2 OF 2	000180882 / 30079101000	