

- 6 ROUTE CABLE FROM RADIO TO PASSENGER'S STEPWELL AREA, UP WINGWALL, THROUGH SLEEPER BOARD ASM, UNDER TRIM TO ANTENNA PLATE ON ROOF.
- 5 MOUNT ANTENNA AND PLATE SUCH THAT BASE IS SQUARE WITH ROOF AND DIRECTLY OVER HOLE IN ROOF. SEAL BOTH HOLE IN ROOF AND ANTENNA BASE AT SCREWS.
- 4 SUPPLIED WITH CHASSIS. USE SHORTEST SUPPLIED ANTENNA.
- 3 ROUTE CABLE TO DASH RADIO.
- 2 WIRING IS ROUTED DIFFERENTLY FOR EACH UNIT FROM THIS POINT REARWARD.
- 1 REAR MONITOR CAMERA CABLE IS PART OF WIRE ASM-CHASSIS AND RUNS ALONG LEFT FRAME RAIL.

NOTES:

ANTENNA-SATELLITE RADIO (SUPPLIED WITH SXM RECEIVER)  
 PLATE-SATELLITE RADIO  
 177256-04-CHT  
 SCREW  
 G11-08-08U (4)  
 SEAL

70D  
 643 5

CABLE-MONITOR 1 3

WIRE ASM-MONITOR, 15' 283 (REF)

70D CABLE-ANTENNA, SATELLITE (SUPPLIED WITH ANTENNA)  
 643

283 WIRE ASM-MONITOR (REF)

4 ANTENNA-RADIO

HOLE IN FLOOR

- 643 RENTAL-MILES DIXON
- 70D RADIO - SATELLITE SIRIUSXM
- 283 MIRRORS-UPGRADE W/CAMERA
- 265 CODES/STANDARDS-CSA/CMVSS
- 1B1 CODES/STANDARDS USA

1B1 265



DSNR:	ALL DIMENSIONS ARE IN MILLIMETERS	
DFFR:		
UNSPECIFIED TOLERANCES:	MATERIAL:	
WHOLE DIM (X) : 3		
ONE-PLACE (X.X) : 1.5		
TWO-PLACE (X.XX) : 0.50		
ANGLE : 1°		
REFER TO ES0018 FOR FASTENER TIGHTENING GUIDELINES	WEIGHT: (LBS)	FIRST USED:
		16 322R

FOR ELECTRICAL TORQUE SPECIFICATIONS SEE DWG NO. 128783-01-000

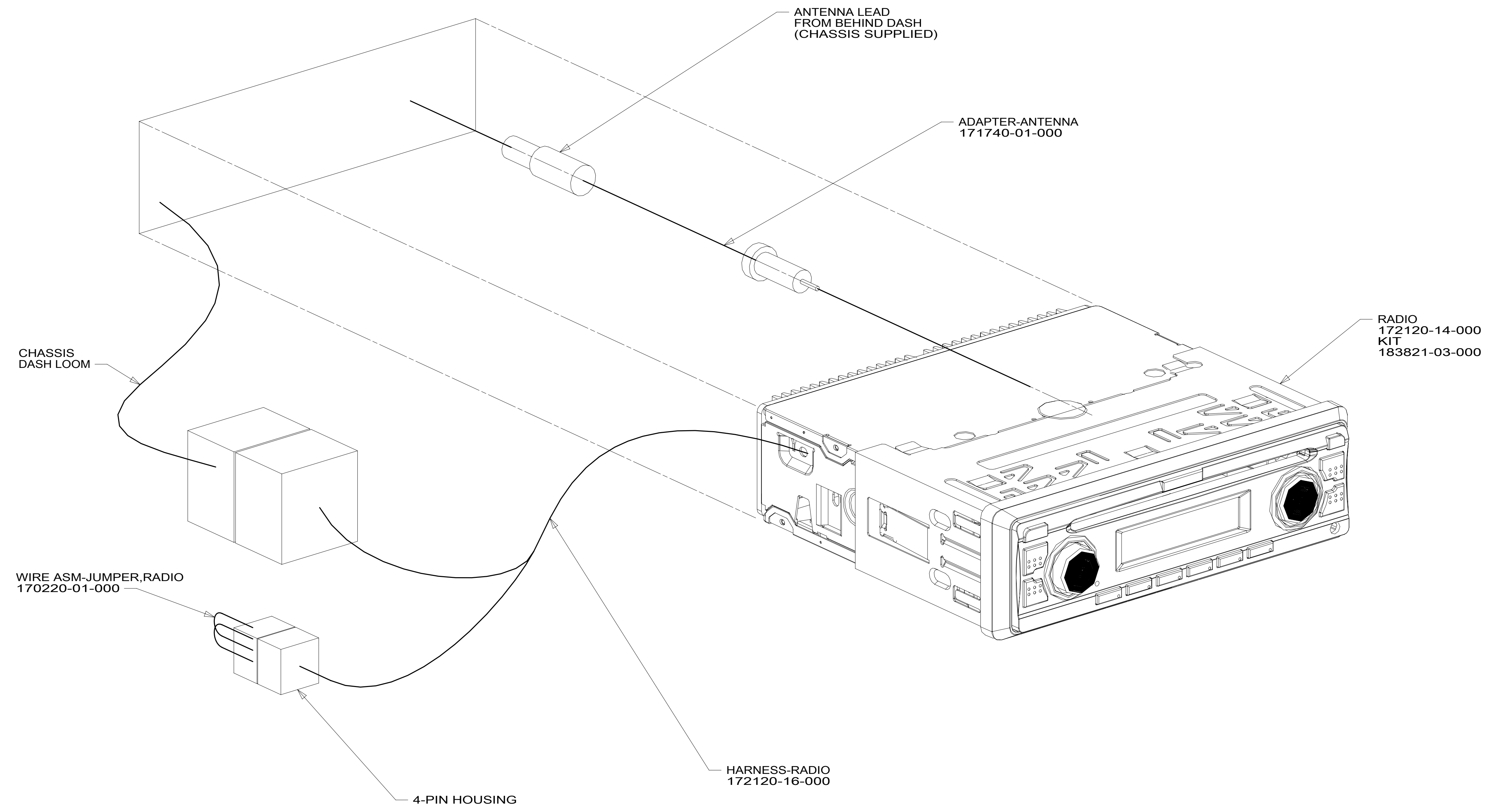
FOR ELECTRICAL CALLOUTS SEE DWG NO. 121339-01-000

**RADIO/MONITOR INSTL**

SHEET: 1 OF 5 ITEM/PART NO: 000180862 / 30073801000 REF: 1 09-May-2017

8 7 6 5 4 3 2 1

D  
C  
B  
A



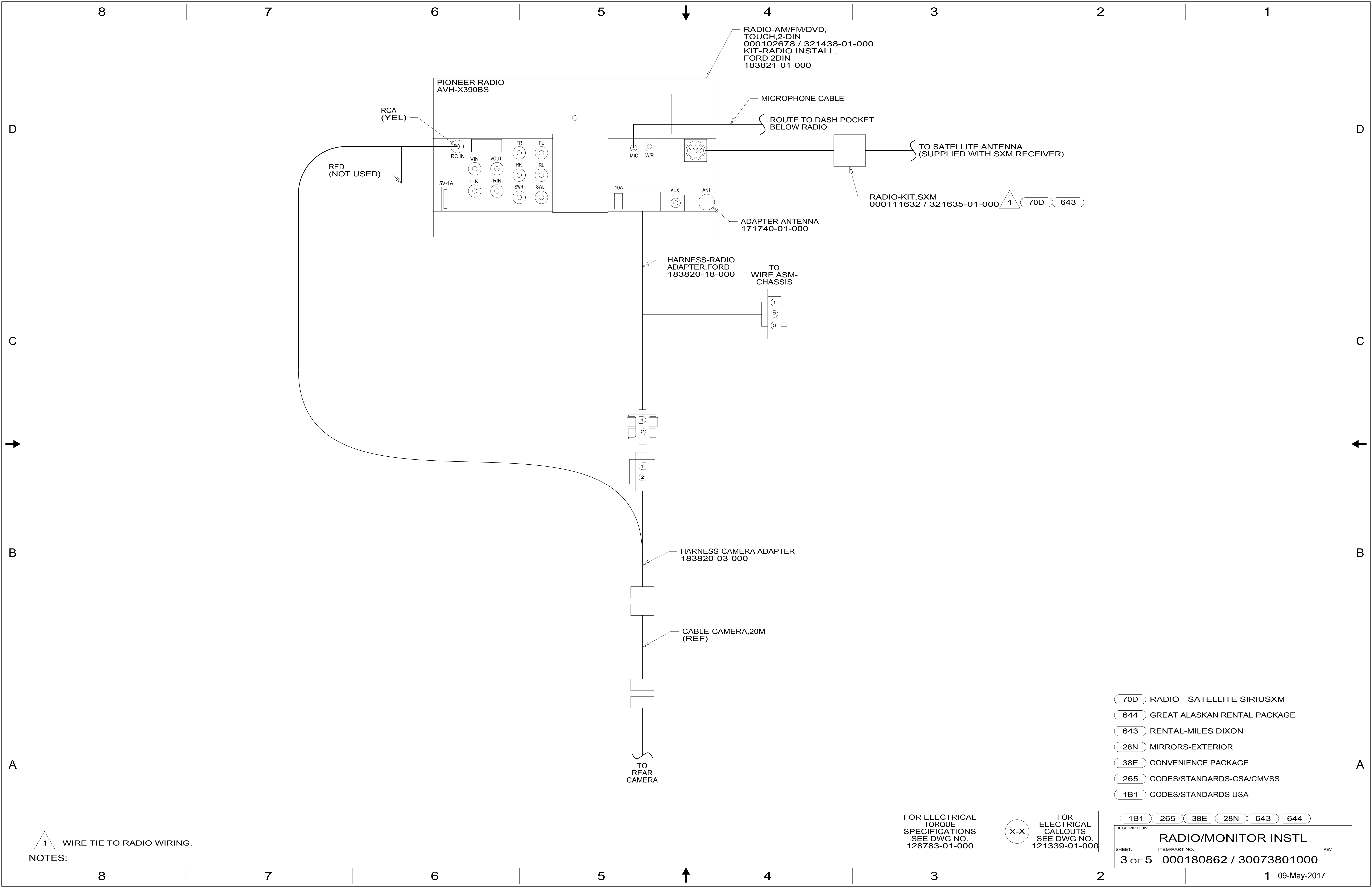
- 19V RADIO-AM/FM STEREO CD PLAYER
- 265 CODES/STANDARDS-CSA/CMVSS
- 1B1 CODES/STANDARDS USA

FOR ELECTRICAL TORQUE SPECIFICATIONS SEE DWG NO. 128783-01-000

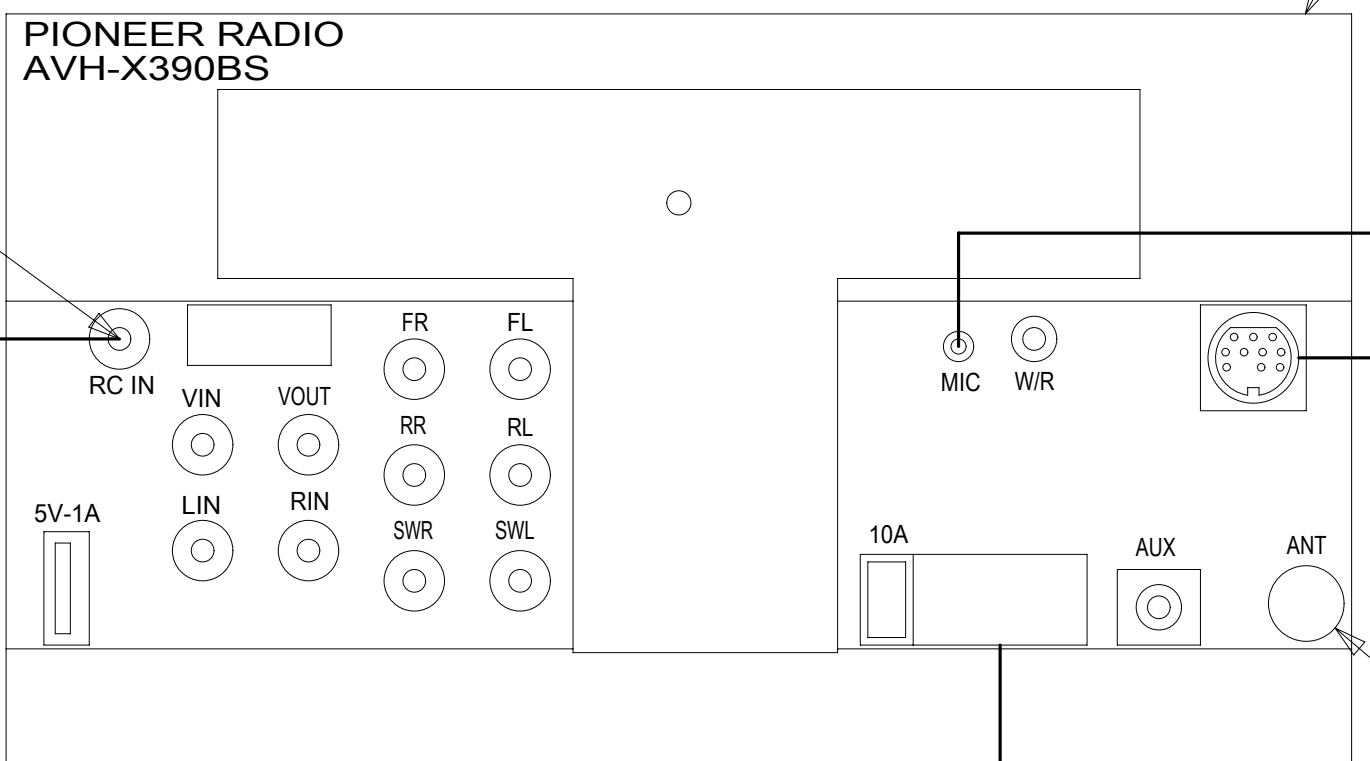
FOR ELECTRICAL CALLOUTS SEE DWG NO. 121339-01-000

DESCRIPTION:		
<b>RADIO/MONITOR INSTL</b>		
SHEET:	ITEM/PART NO.:	REV
2 OF 5	000180862 / 30073801000	

8 7 6 5 4 3 2 1 09-May-2017



RADIO-AM/FM/DVD,  
TOUCH, 2-DIN  
000102678 / 321438-01-000  
KIT-RADIO INSTALL,  
FORD 2DIN  
183821-01-000



TO SATELLITE ANTENNA  
(SUPPLIED WITH SXM RECEIVER)

RADIO-KIT, SXM  
000111632 / 321635-01-000

ADAPTER-ANTENNA  
171740-01-000

HARNESS-RADIO  
ADAPTER, FORD  
183820-18-000

TO WIRE ASM-  
CHASSIS

HARNESS-CAMERA ADAPTER  
183820-03-000

CABLE-CAMERA, 20M  
(REF)

TO REAR  
CAMERA

RCA  
(YEL)

RED  
(NOT USED)

- 70D RADIO - SATELLITE SIRIUSXM
- 644 GREAT ALASKAN RENTAL PACKAGE
- 643 RENTAL-MILES DIXON
- 28N MIRRORS-EXTERIOR
- 38E CONVENIENCE PACKAGE
- 265 CODES/STANDARDS-CSA/CMVSS
- 1B1 CODES/STANDARDS USA

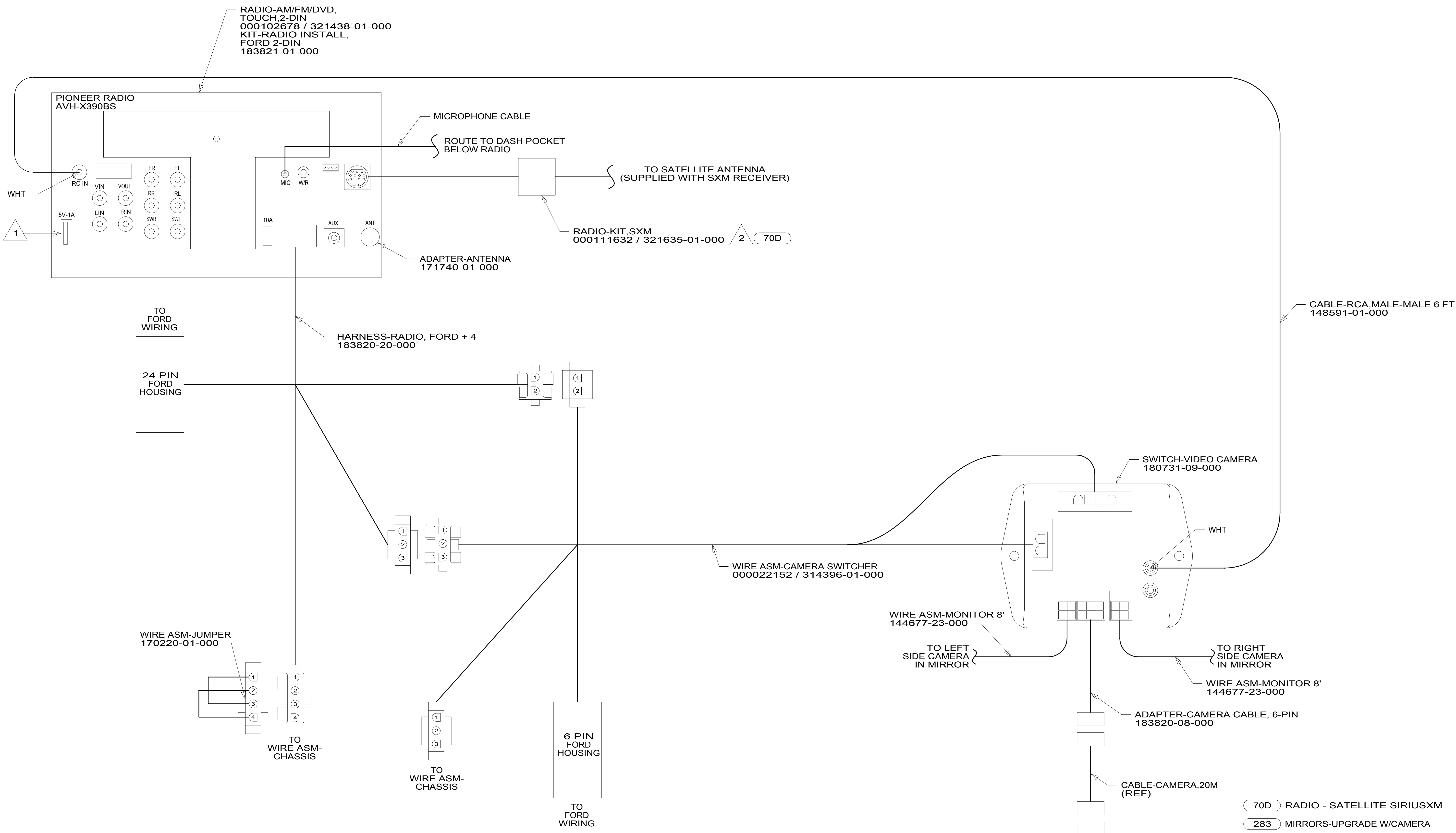
1B1 265 38E 28N 643 644

FOR ELECTRICAL  
TORQUE  
SPECIFICATIONS  
SEE DWG NO.  
128783-01-000

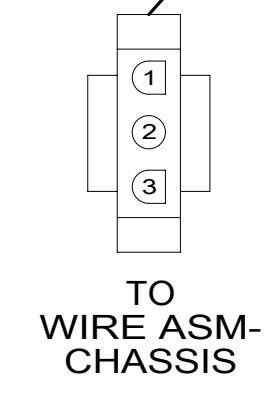
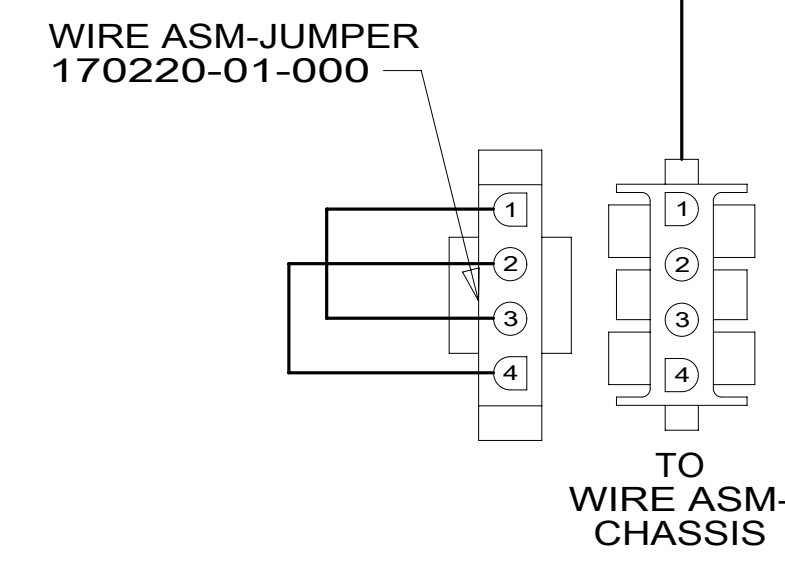
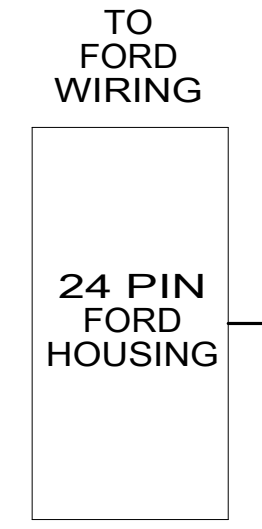
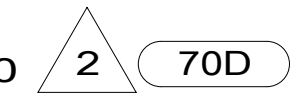
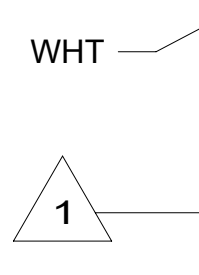
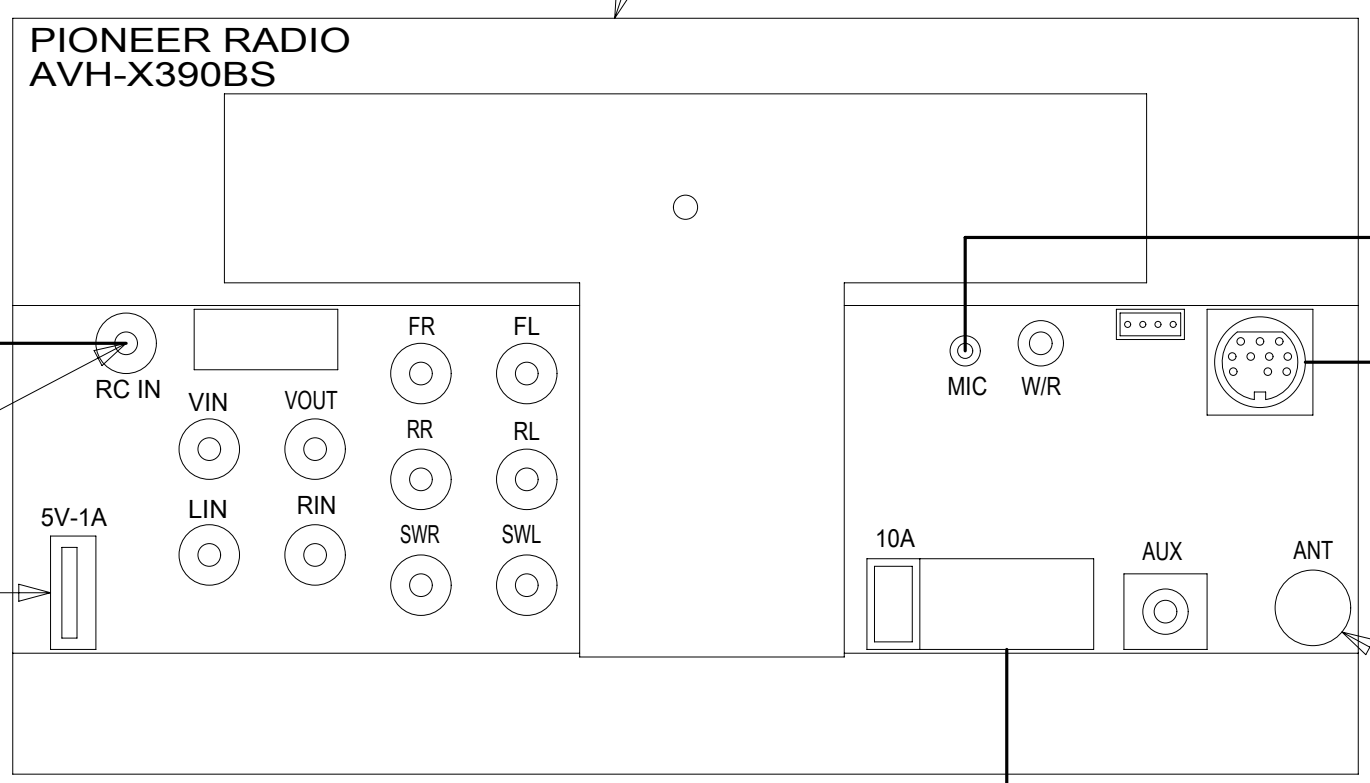
FOR ELECTRICAL  
CALLOUTS  
SEE DWG NO.  
121339-01-000

DESCRIPTION: <b>RADIO/MONITOR INSTL</b>		
SHEET: <b>3 OF 5</b>	ITEM/PART NO: <b>000180862 / 30073801000</b>	REV

NOTES:  
1 WIRE TIE TO RADIO WIRING.



RADIO-AM/FM/DVD,  
TOUCH,2-DIN  
000102678 / 321438-01-000  
KIT-RADIO INSTALL,  
FORD 2-DIN  
183821-01-000



FOR ELECTRICAL  
TORQUE  
SPECIFICATIONS  
SEE DWG NO.  
128783-01-000

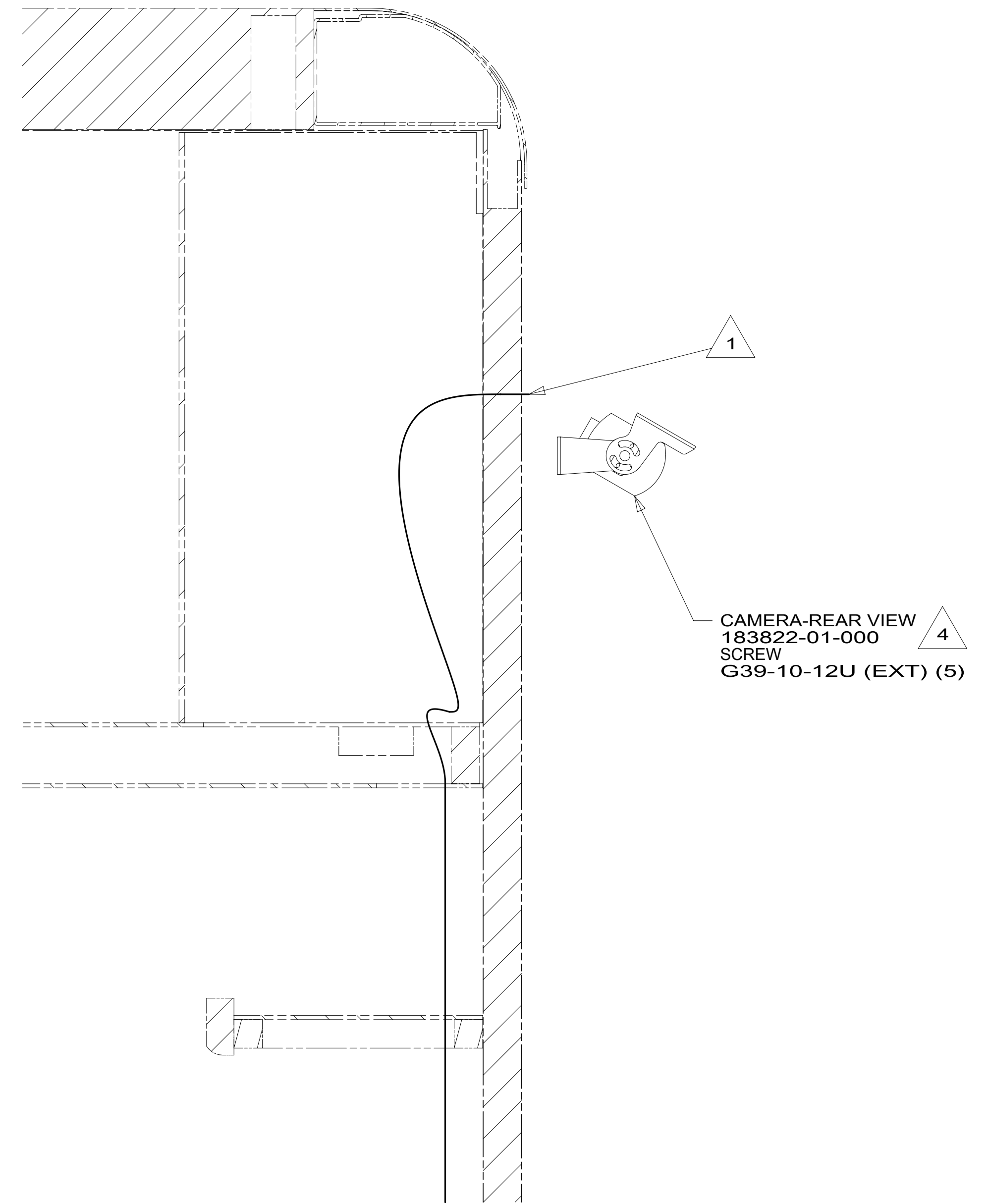
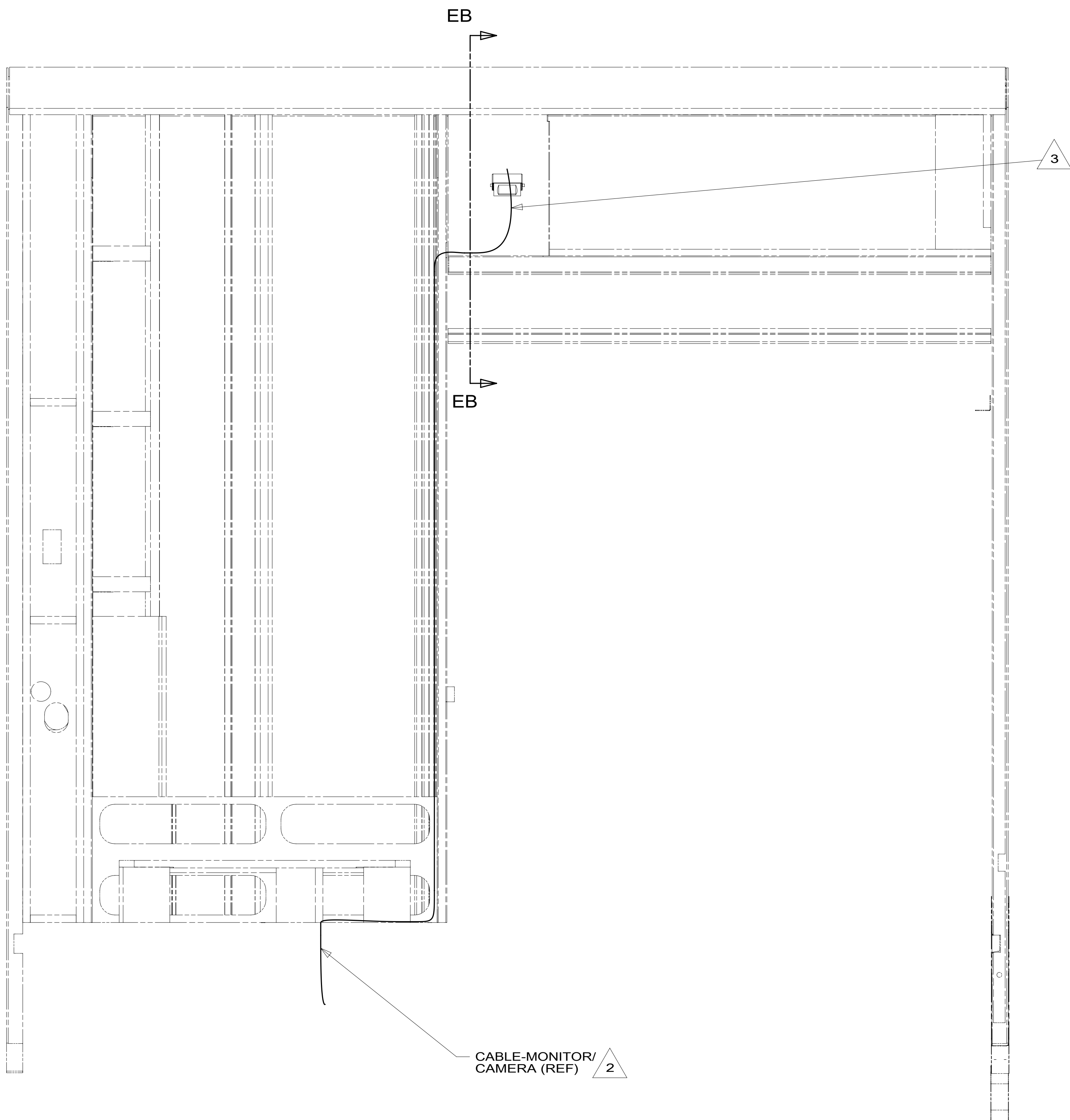
FOR ELECTRICAL  
CALLOUTS  
SEE DWG NO.  
121339-01-000

- 70D RADIO - SATELLITE SIRIUSXM
- 283 MIRRORS-UPGRADE W/CAMERA
- 38E CONVENIENCE PACKAGE
- 265 CODES/STANDARDS-CSA/CMVSS
- 1B1 CODES/STANDARDS USA

NOTES:  
2 WIRE TIE TO RADIO WIRING.  
1 PLUG USB CABLE SUPPLIED WITH RADIO INTO LEAD ON BACK OF RADIO MARKED 'USB'. ROUTE CABLE TO THE LEFT OF RADIO. WIRE TIE EXCESS CABLE UNDER DASH IN THE AREA LEFT OF THE RADIO. LEAVE 200 MM OF CABLE IN THE MOTOR COVER BEVERAGE TRAY. MAKE SURE CABLE DOES NOT GET PINCHED BY MOTOR COVER.

DESCRIPTION:	RADIO/MONITOR INSTL		
SHEET:	ITEM/PART NO.:	REV:	
4 OF 5	000180862 / 30073801000		

8 7 6 5 4 3 2 1



SECTION EB-EB 38E 643

- NOTES:
- 4 ADJUST CAMERA AFTER MOUNTING SO BACKWALL IS JUST VISIBLE ON BOTTOM OF THE SCREEN.
  - 3 LEAVE CAMERA CABLE IN BOTTOM OF OVHD CABT WITHOUT 38E
  - 2 REAR MONITOR CABLE IS PART OF THE WIRE ASM-CHASSIS.
  - 1 CABLE ROUTED THRU BACKWALL.

- 643 RENTAL-MILES DIXON
- 38E CONVENIENCE PACKAGE
- 265 CODES/STANDARDS-CSA/CMVSS
- 1B1 CODES/STANDARDS USA

FOR ELECTRICAL TORQUE SPECIFICATIONS SEE DWG NO. 128783-01-000

FOR ELECTRICAL CALLOUTS SEE DWG NO. 121339-01-000

DESCRIPTION:		<b>RADIO/MONITOR INSTL</b>	
SHEET:	ITEM/PART NO.:	REV	
5 OF 5	000180862 / 30073801000		

8 7 6 5 4 3 2 1 09-May-2017